



US00D729102S

(12) **United States Design Patent**
Becker et al.

(10) **Patent No.:** **US D729,102 S**
(45) **Date of Patent:** **** May 12, 2015**

(54) **BRACELET**

(71) Applicants: **David Becker**, Philadelphia, PA (US);
Anna Couturier, Philadelphia, PA (US);
Jordan Goldenberg, Philadelphia, PA (US)

(72) Inventors: **David Becker**, Philadelphia, PA (US);
Anna Couturier, Philadelphia, PA (US);
Jordan Goldenberg, Philadelphia, PA (US)

(73) Assignee: **Becker Fashion Tech, LLC**, Philadelphia, PA (US)

(**) Term: **14 Years**

(21) Appl. No.: **29/487,356**

(22) Filed: **Apr. 8, 2014**

(51) **LOC (10) Cl.** **11-01**

(52) **U.S. Cl.**
USPC **D11/3**

(58) **Field of Classification Search**

CPC A44C 15/005; A44C 15/0015; A44C 5/00;
A44C 5/0023; A44C 13/00; A44C 9/00
USPC D11/1-39, 86, 93, 94; 63/1.11, 1.13,
63/1.14, 1.15, 1.16, 3, 3.1, 3.2, 4, 5.1, 7, 9,
63/10, 11, 12, 15, 15.1, 15.2, 15.3, 15.45,
63/15.5, 15.9; D28/41; D7/633; D8/395,
D8/396; 40/633; D30/151-153
See application file for complete search history.

(56) **References Cited**

U.S. PATENT DOCUMENTS

D141,654 S * 6/1945 Ray-Dupuis D11/4
D151,789 S * 11/1948 Shapiro D11/27

D319,035 S * 8/1991 Kruse D11/27
D372,879 S * 8/1996 Partridge D11/4
D424,967 S * 5/2000 Perrin et al. D11/28
D443,222 S * 6/2001 Cabarbaye D11/26
D448,699 S * 10/2001 Pasquetti D11/26
D449,556 S * 10/2001 Pasquetti D11/26
D458,180 S * 6/2002 Tschetter D11/4
6,688,139 B2 * 2/2004 Tschetter 63/31
D512,932 S * 12/2005 Della Valle D11/4
D565,448 S * 4/2008 Prak et al. D11/4
D567,699 S * 4/2008 Jorgensen D11/26
D569,295 S * 5/2008 Doughty D11/31
D630,541 S * 1/2011 Shimansky D11/26

* cited by examiner

Primary Examiner — Garth Rademaker

Assistant Examiner — Llorellys Martinez-Rivera

(74) *Attorney, Agent, or Firm* — Saul Ewing LLP

(57) **CLAIM**

The ornamental design for a bracelet, as shown and described.

DESCRIPTION

FIG. 1 is a perspective view of a bracelet showing the new design;

FIG. 2 is a front view thereof;

FIG. 3 is a top view thereof;

FIG. 4 is a bottom view thereof;

FIG. 5 is a left side view thereof;

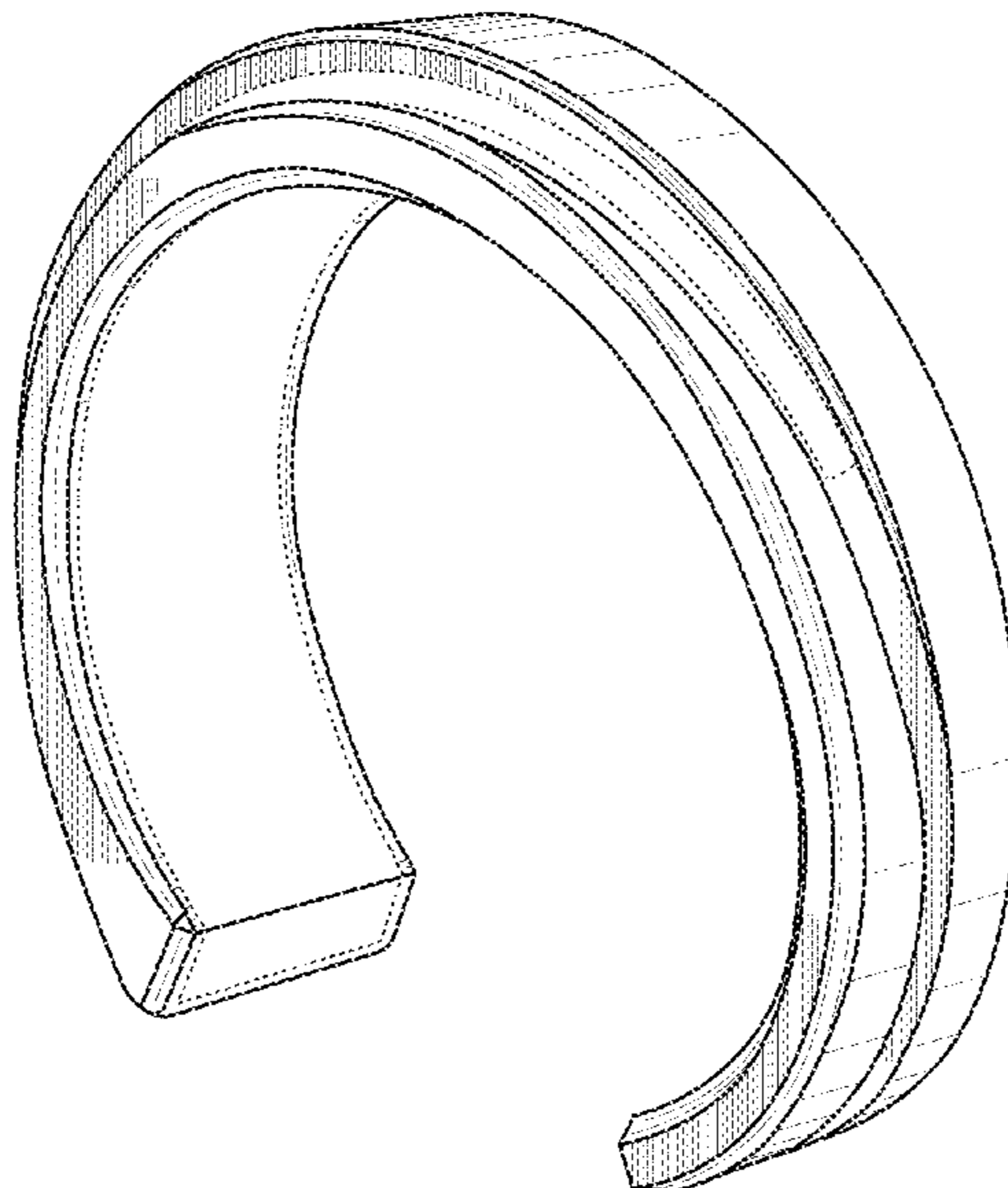
FIG. 6 is a right side view thereof; and,

FIG. 7 is a back view thereof.

The spaced lines shown in FIGS. 1-7 are intended to illustrate surface shading for illustrative clarity only, and do not themselves form any part of the claimed design.

The broken lines shown in FIGS. 1 through 7 illustrate portions of the bracelet that form no part of the claimed design.

1 Claim, 3 Drawing Sheets



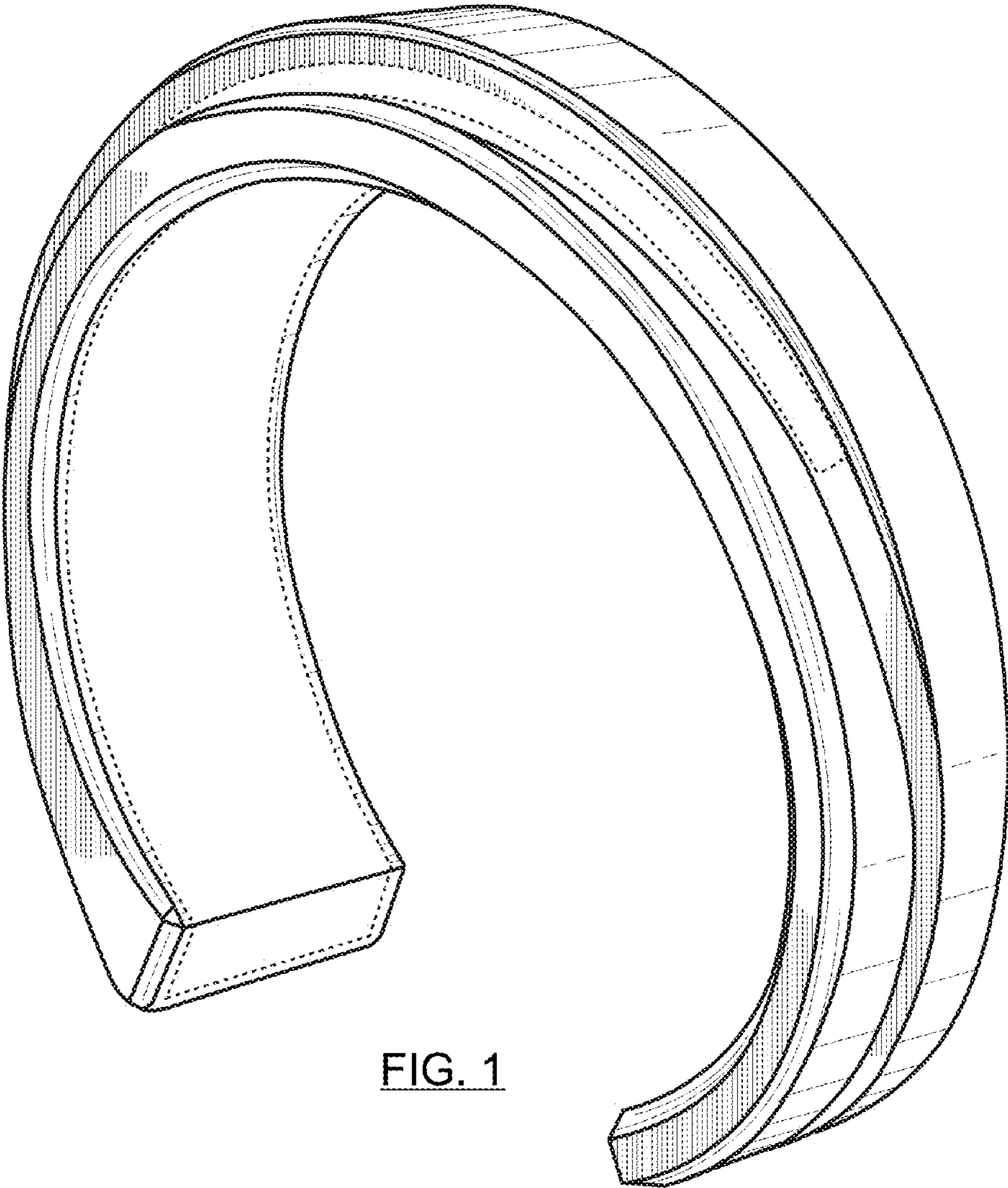


FIG. 1

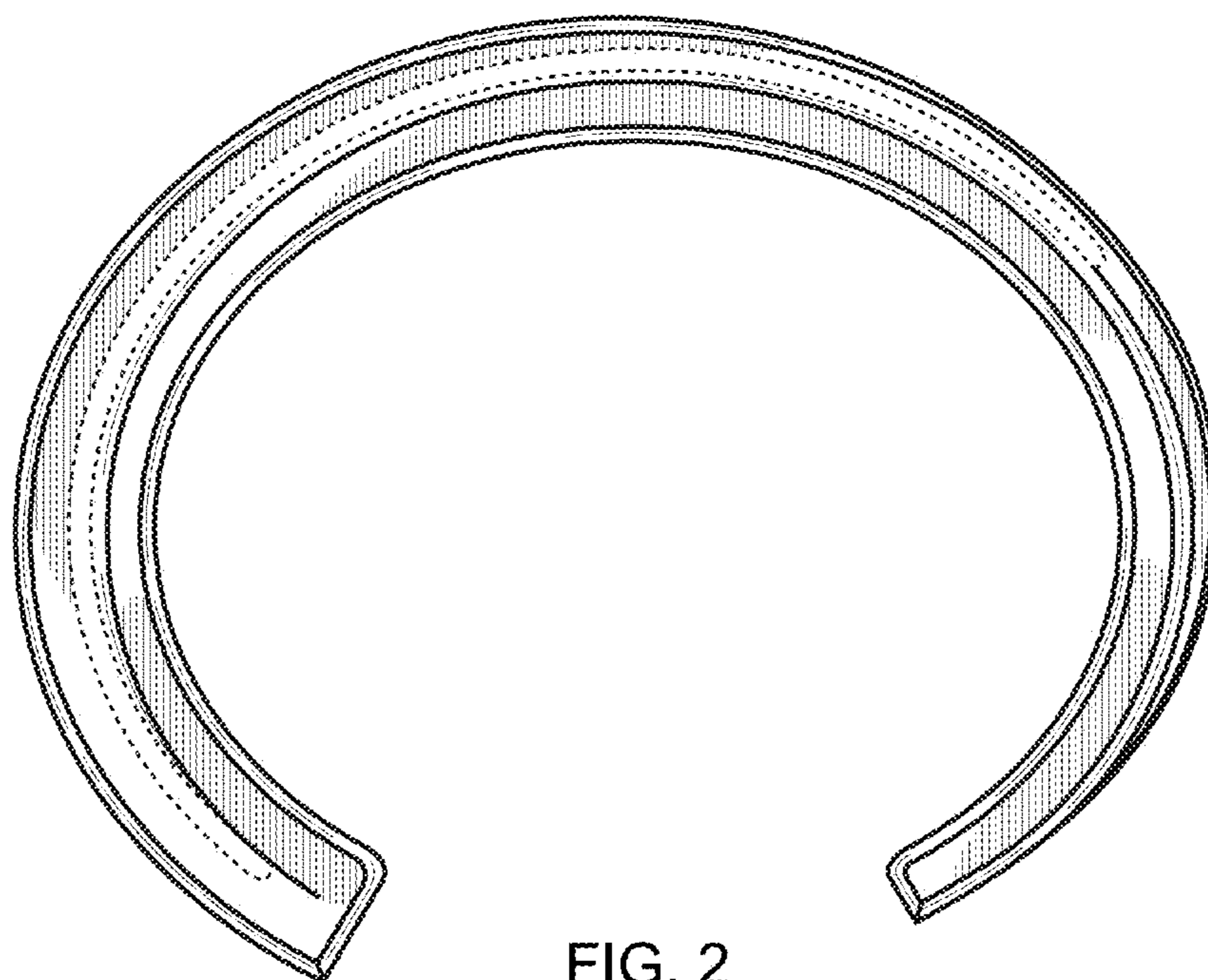


FIG. 2

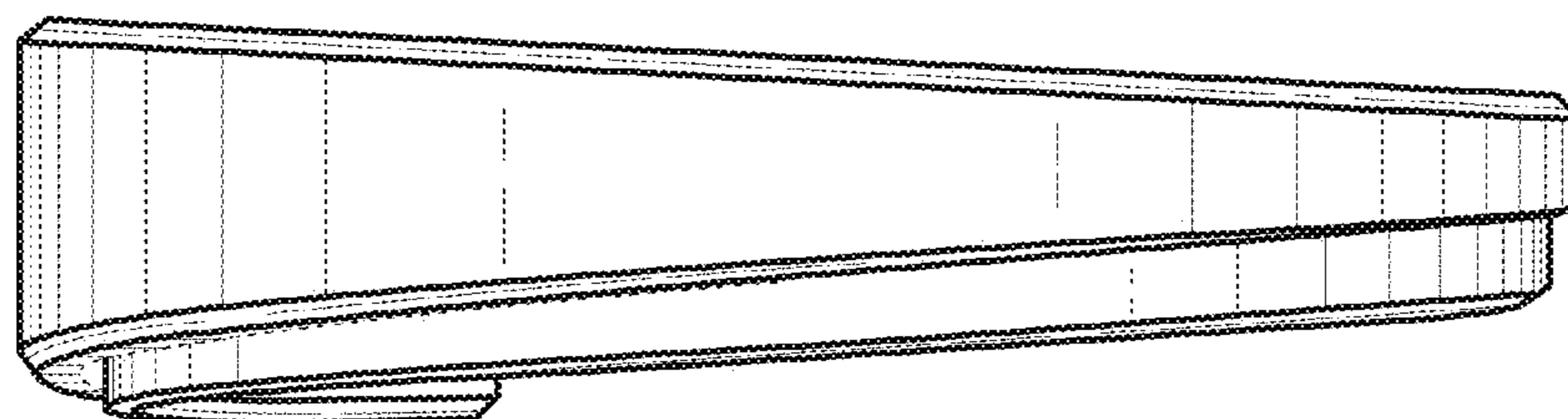


FIG. 3

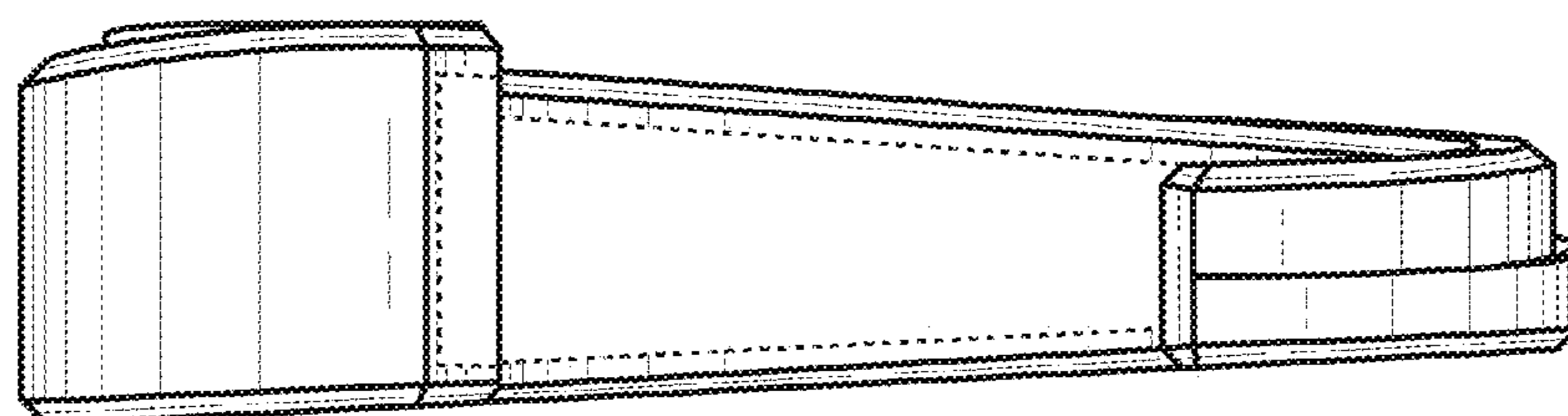


FIG. 4

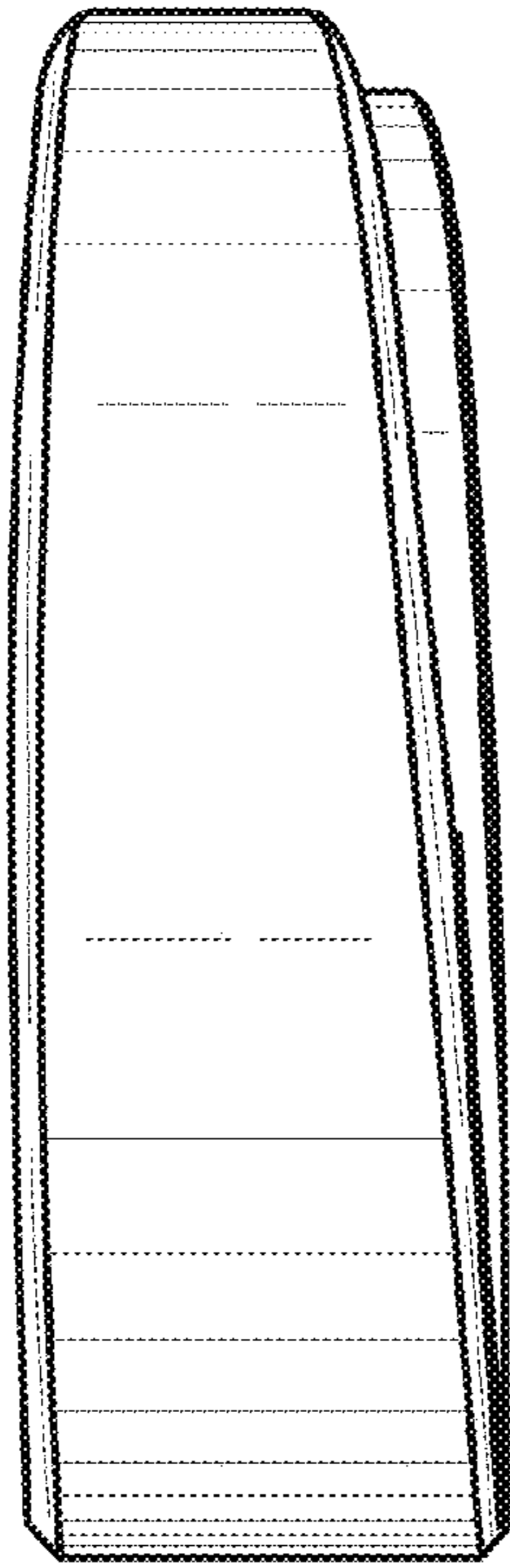


FIG. 5

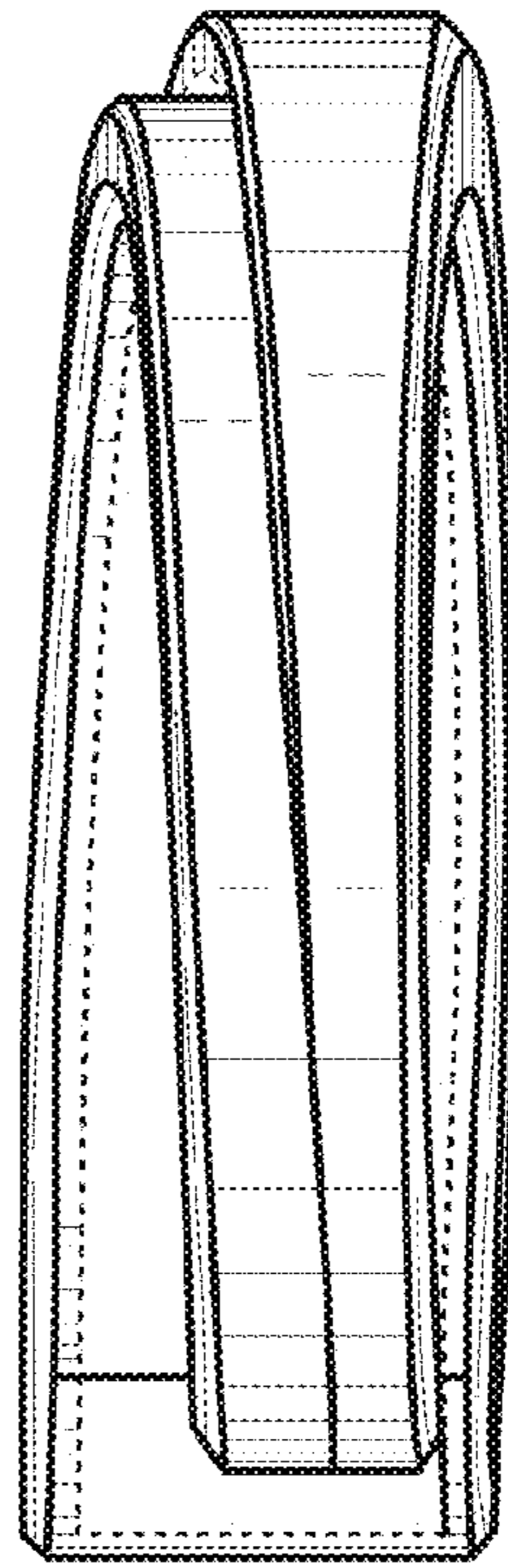


FIG. 6

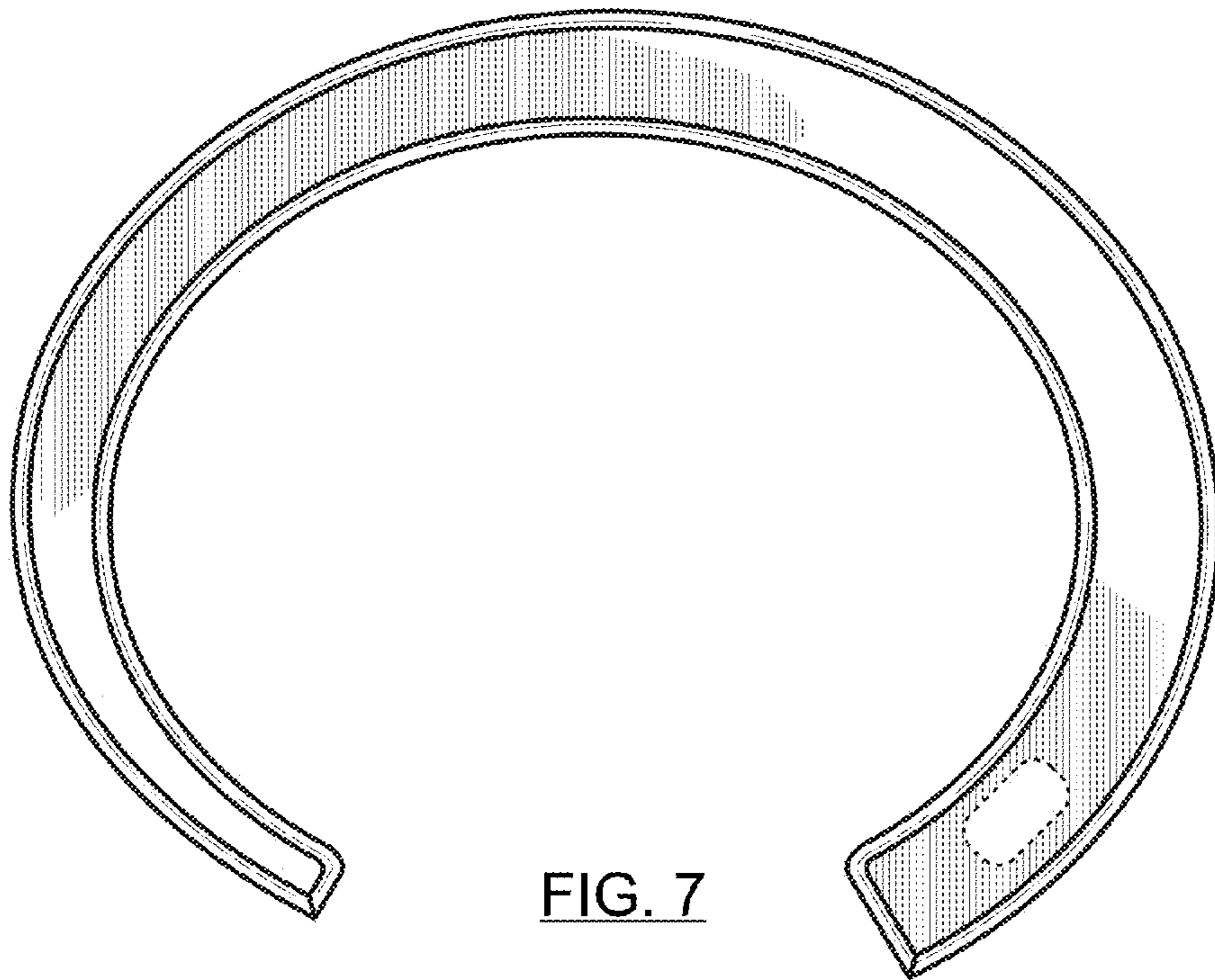


FIG. 7