



US00D729099S

(12) **United States Design Patent**
Lasserre

(10) **Patent No.:** **US D729,099 S**

(45) **Date of Patent:** **** May 12, 2015**

- (54) **DIAL**
- (71) Applicant: **Harry Winston SA**, Plan-les-Ouates (CH)
- (72) Inventor: **Christophe Lasserre**, Vandoeuvres (CH)
- (73) Assignee: **Harry Winston SA**, Plan-les-Ouates (CH)
- (**) Term: **14 Years**
- (21) Appl. No.: **29/501,965**
- (22) Filed: **Sep. 10, 2014**

5,161,129	A	*	11/1992	Chen et al.	368/19
D343,127	S	*	1/1994	Chen et al.	D10/39
D370,859	S	*	6/1996	Scheufele	D10/39
D575,653	S	*	8/2008	Nataf	D10/126
D576,891	S	*	9/2008	Tripet	D10/33
D622,163	S	*	8/2010	Loth	D10/32
D631,763	S	*	2/2011	Vollet	D10/32
D656,418	S	*	3/2012	Scheufele	D10/39
D668,559	S	*	10/2012	Jamin	D10/39
D671,014	S	*	11/2012	Monachon	D10/32
D671,015	S	*	11/2012	Monachon	D10/32
D693,719	S	*	11/2013	Calvani	D10/126
D695,144	S	*	12/2013	Calvani	D10/126
D703,555	S	*	4/2014	Monachon	D10/32
D709,784	S	*	7/2014	Stegmann et al.	D10/126
D712,770	S	*	9/2014	Stegmann et al.	D10/126
2005/0185517	A1	*	8/2005	Lazaretnik	368/223

* cited by examiner

(30) **Foreign Application Priority Data**

Mar. 10, 2014 (WO) DM/083 091

(51) **LOC (10) Cl.** **10-02**

(52) **U.S. Cl.**
USPC **D10/126**

(58) **Field of Classification Search**
CPC G04B 19/06; G04B 19/065; G04B 19/10;
G04B 47/042; G04B 45/0084; G04B 47/04
USPC D10/123-126, 30-39; 368/223, 228,
368/232, 281, 282, 285, 15-20, 28
See application file for complete search history.

(56) **References Cited**

U.S. PATENT DOCUMENTS

508,467	A	*	11/1893	Clark	368/18
D178,091	S	*	6/1956	Sparks	D10/39
D212,773	S	*	11/1968	Booth	D10/126
4,881,213	A	*	11/1989	Zaslowsky	368/15

Primary Examiner — Lucy Lieberman

(74) *Attorney, Agent, or Firm* — Donald J. Ranft; Kristen A. Mogavero; Collen IP

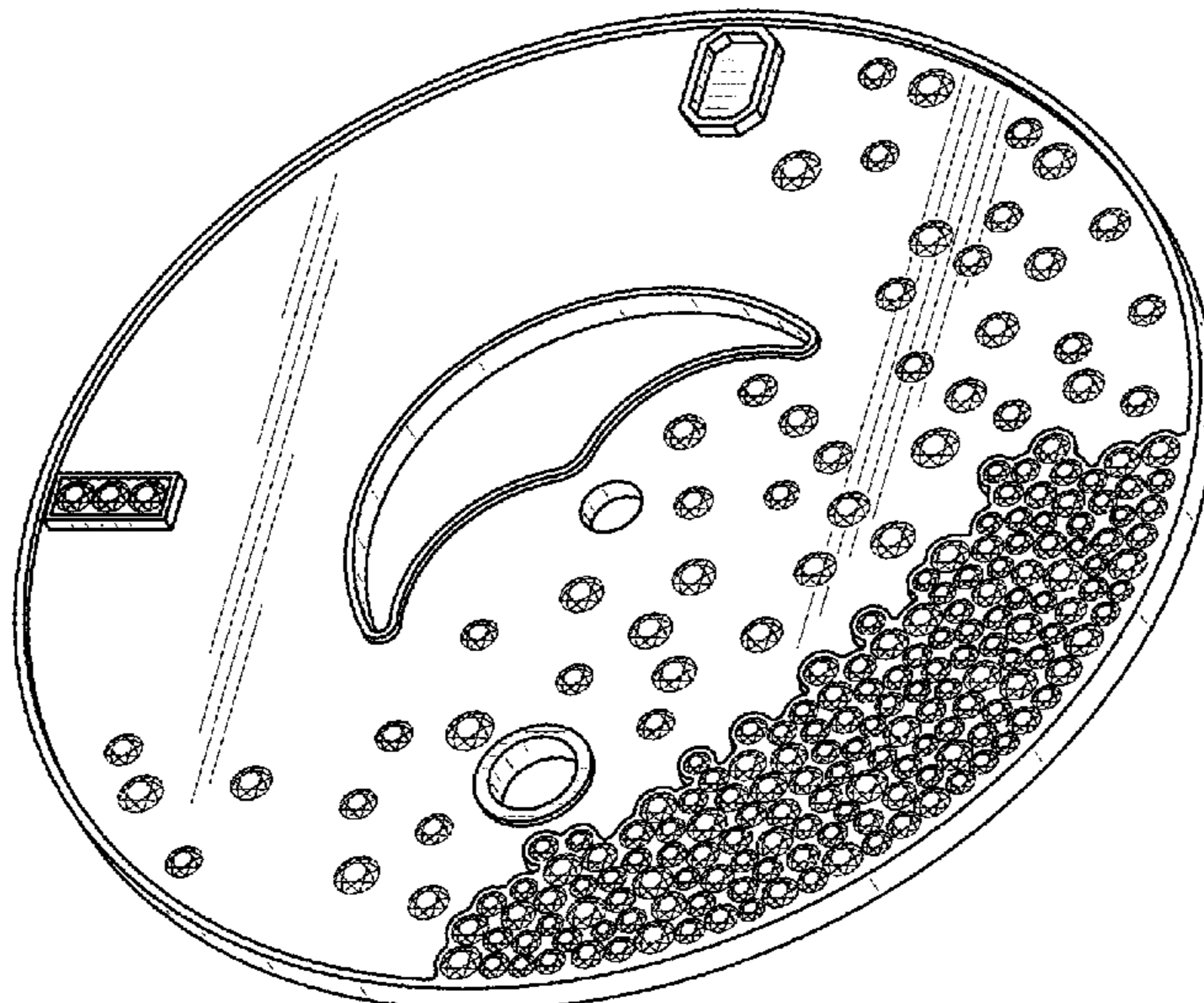
(57) **CLAIM**

The ornamental design for a dial, as shown.

DESCRIPTION

FIG. 1 is a front right perspective view of a dial showing my new design;
 FIG. 2 is a rear left perspective view thereof;
 FIG. 3 is a front view thereof;
 FIG. 4 is a rear view thereof;
 FIG. 5 is a left side view thereof;
 FIG. 6 is a right side view thereof;
 FIG. 7 is a top view thereof; and,
 FIG. 8 is a bottom view thereof.

1 Claim, 3 Drawing Sheets



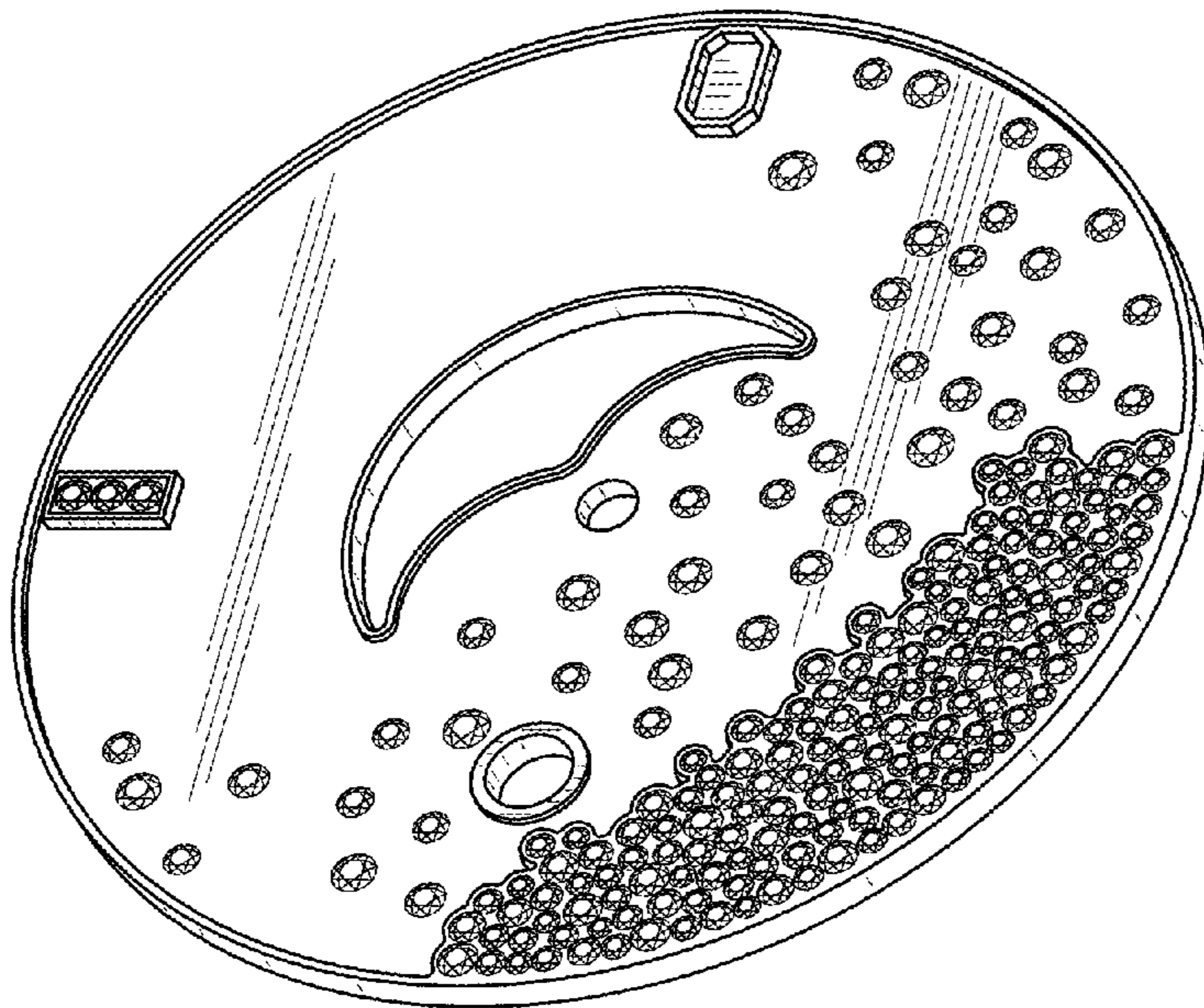


FIG. 1

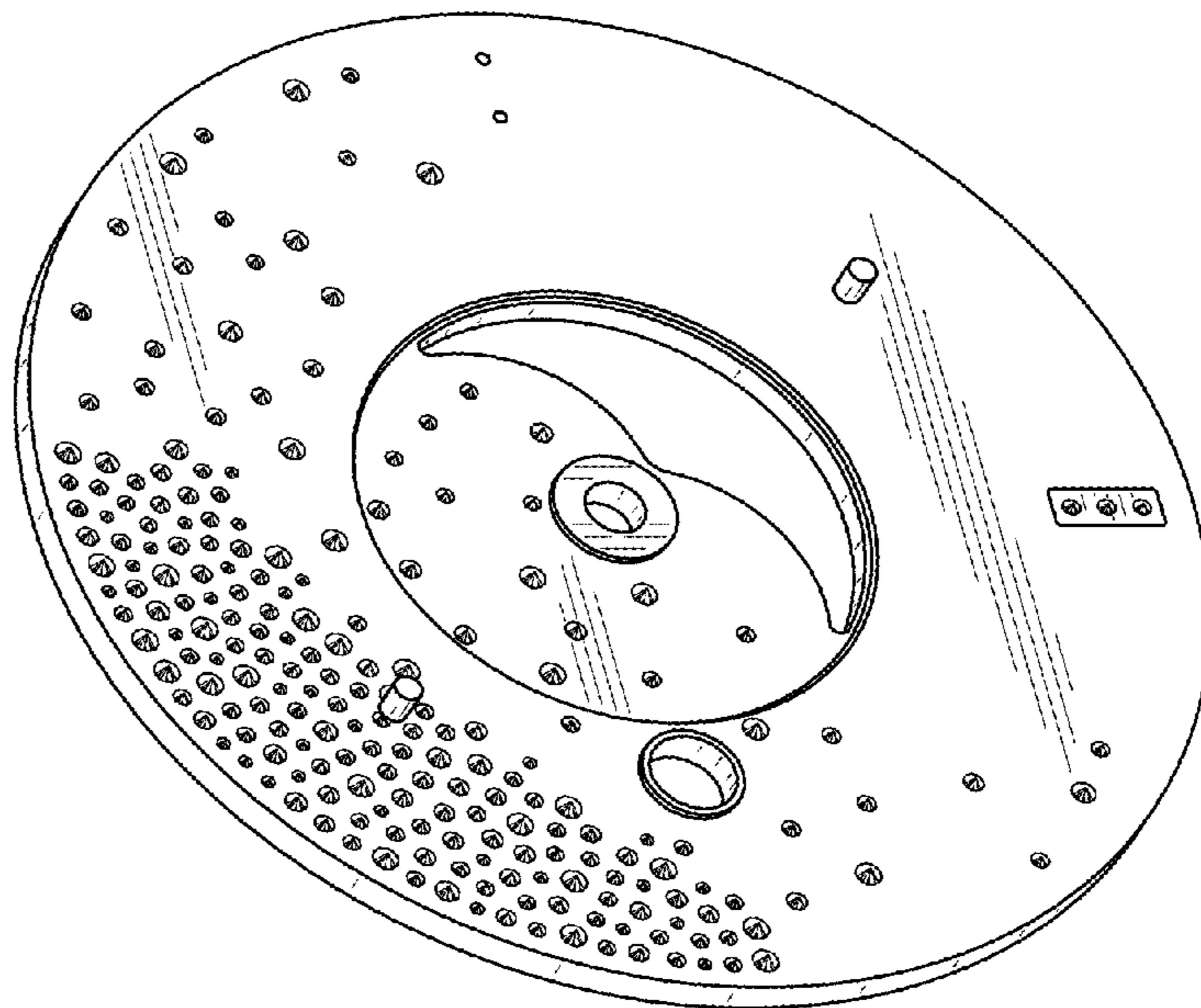


FIG. 2

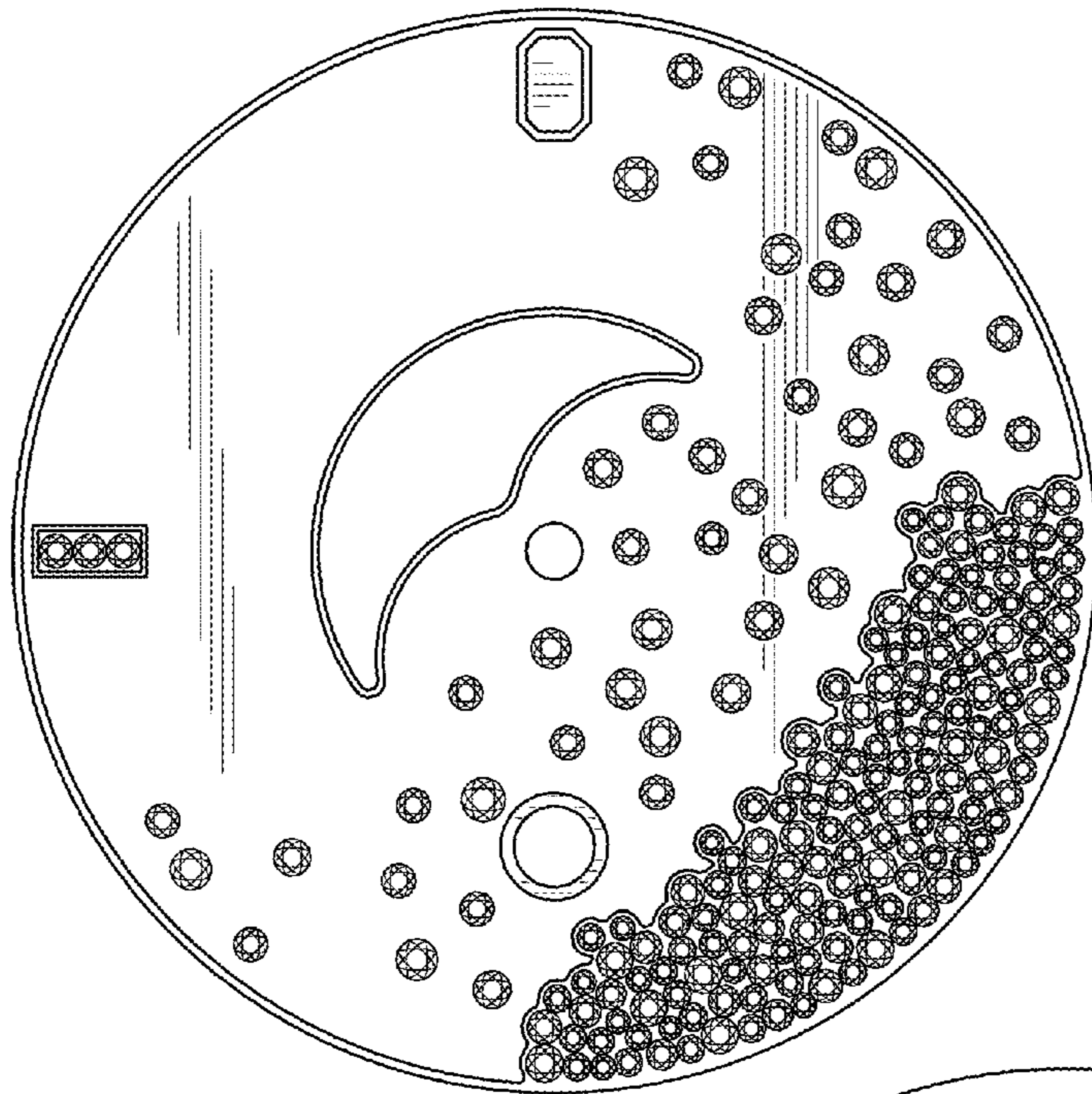


FIG. 3

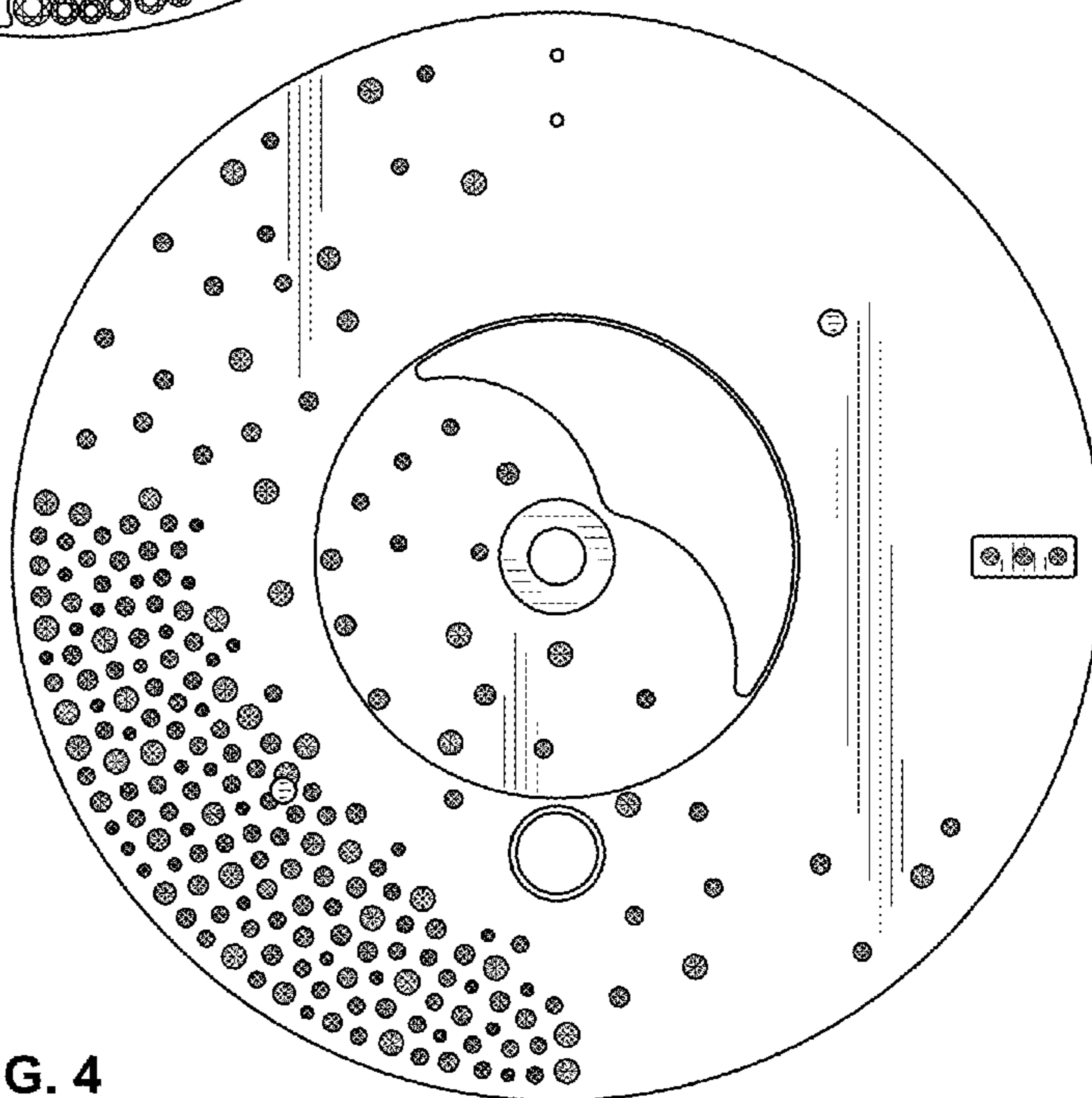


FIG. 4



FIG. 5



FIG. 6



FIG. 7



FIG. 8