



US00D729096S

(12) **United States Design Patent**  
**Kamilindi**

(10) **Patent No.:** **US D729,096 S**

(45) **Date of Patent:** **\*\* May 12, 2015**

(54) **DIAL**  
(71) Applicant: **Harry Winston SA**, Plan-les-Ouates (CH)  
(72) Inventor: **Steve Kamilindi**, Geneva (CH)  
(73) Assignee: **Harry Winston SA**, Plan-les-Ouates (CH)

D322,415 S *	12/1991	Ritchie .....	D10/126
D342,214 S *	12/1993	Tsukada et al. ....	D10/125
D361,283 S *	8/1995	Bulgari .....	D10/32
D444,076 S *	6/2001	Repossi .....	D10/32
D478,515 S *	8/2003	Sugiura et al. ....	D10/32
D496,290 S *	9/2004	Plan .....	D10/32
D525,149 S *	7/2006	Plan .....	D10/32
D572,620 S *	7/2008	Schoepfer .....	D10/125
D586,242 S *	2/2009	Schoepfer .....	D10/39
D623,976 S *	9/2010	Rabassa et al. ....	D10/125
D646,184 S *	10/2011	Duport et al. ....	D10/39

(\*\*) Term: **14 Years**  
(21) Appl. No.: **29/502,209**  
(22) Filed: **Sep. 12, 2014**

**OTHER PUBLICATIONS**

Jeweler's Circular Keystone, Nov. 2006, p. 1, Le Vian watch.\*

\* cited by examiner

(30) **Foreign Application Priority Data**

Mar. 13, 2014 (WO) ..... DM/083 150

(51) **LOC (10) Cl.** ..... **10-07**

(52) **U.S. Cl.**  
USPC ..... **D10/125**

(58) **Field of Classification Search**  
CPC ..... G04B 19/06; G04B 19/065; G04B 19/10;  
G04B 47/042; G04B 45/0084; G04B 47/04  
USPC ..... D10/123-126, 30-39; 368/223, 228,  
368/232, 281, 282, 285  
See application file for complete search history.

*Primary Examiner* — Lucy Lieberman

(74) *Attorney, Agent, or Firm* — Donald J. Ranft; Kristen A. Mogavero; Collen IP

(56) **References Cited**

**U.S. PATENT DOCUMENTS**

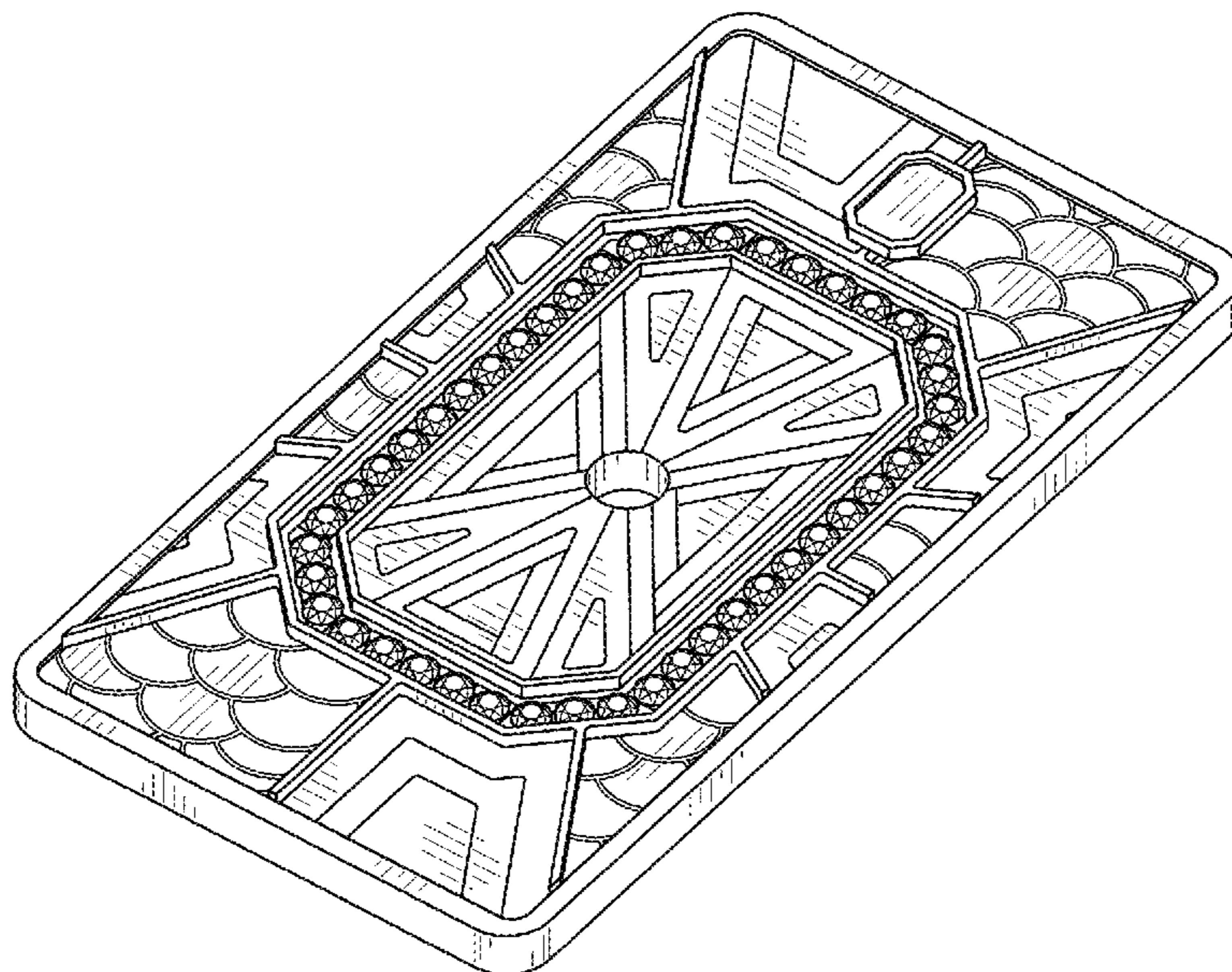
D79,293 S *	8/1929	Gruen .....	D10/125
D83,455 S *	2/1931	Lighthipe .....	D10/108
D83,533 S *	3/1931	Gruen .....	D10/125
D252,193 S *	6/1979	Day .....	D10/125

(57) **CLAIM**  
The ornamental design for a dial, as shown.

**DESCRIPTION**

FIG. 1 is a front right perspective view of a dial showing my new design;  
FIG. 2 is a rear left perspective view thereof;  
FIG. 3 is a front view thereof;  
FIG. 4 is a rear view thereof;  
FIG. 5 is a left side view thereof;  
FIG. 6 is a right side view thereof;  
FIG. 7 is a top view thereof; and,  
FIG. 8 is a bottom view thereof.

**1 Claim, 3 Drawing Sheets**



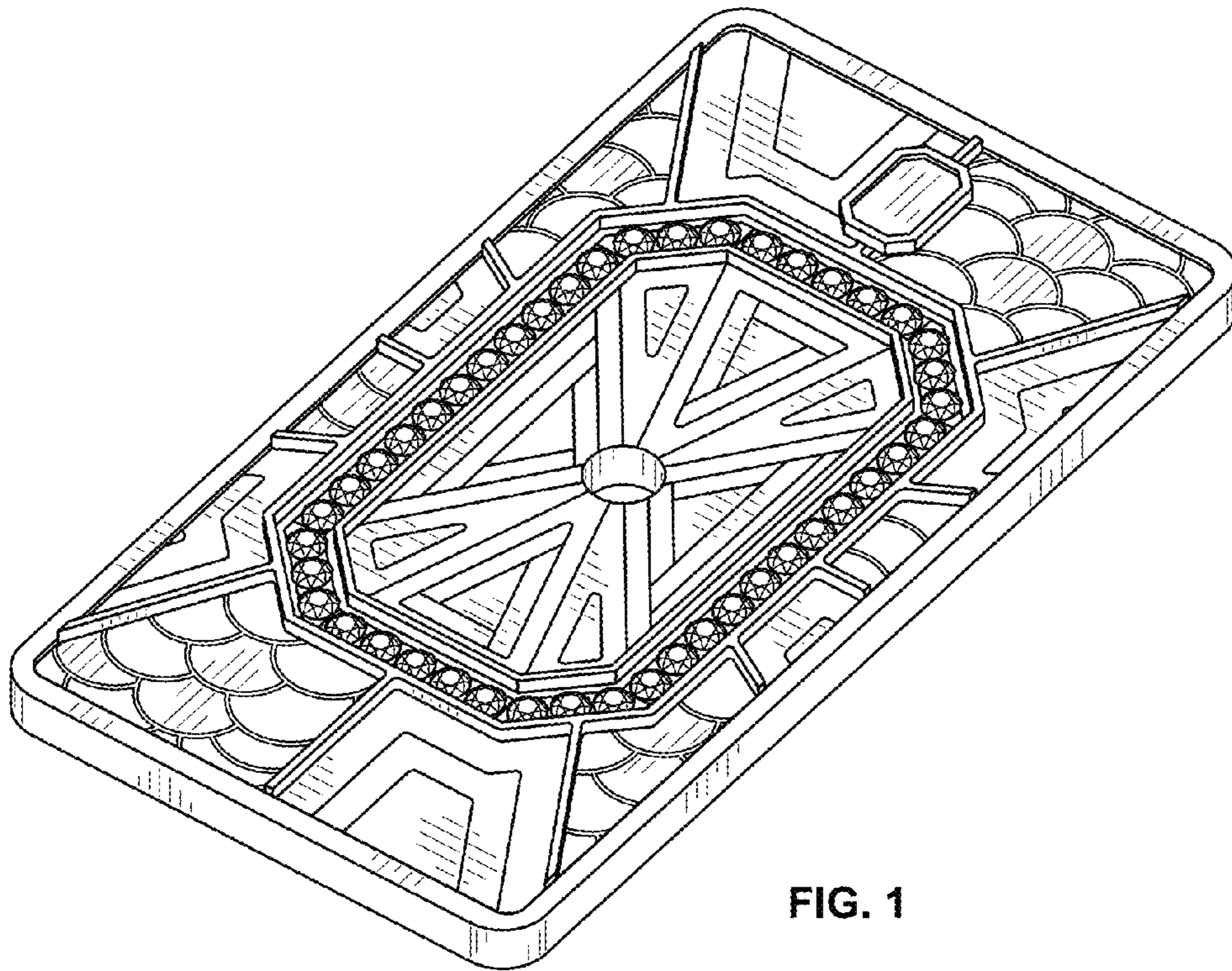


FIG. 1

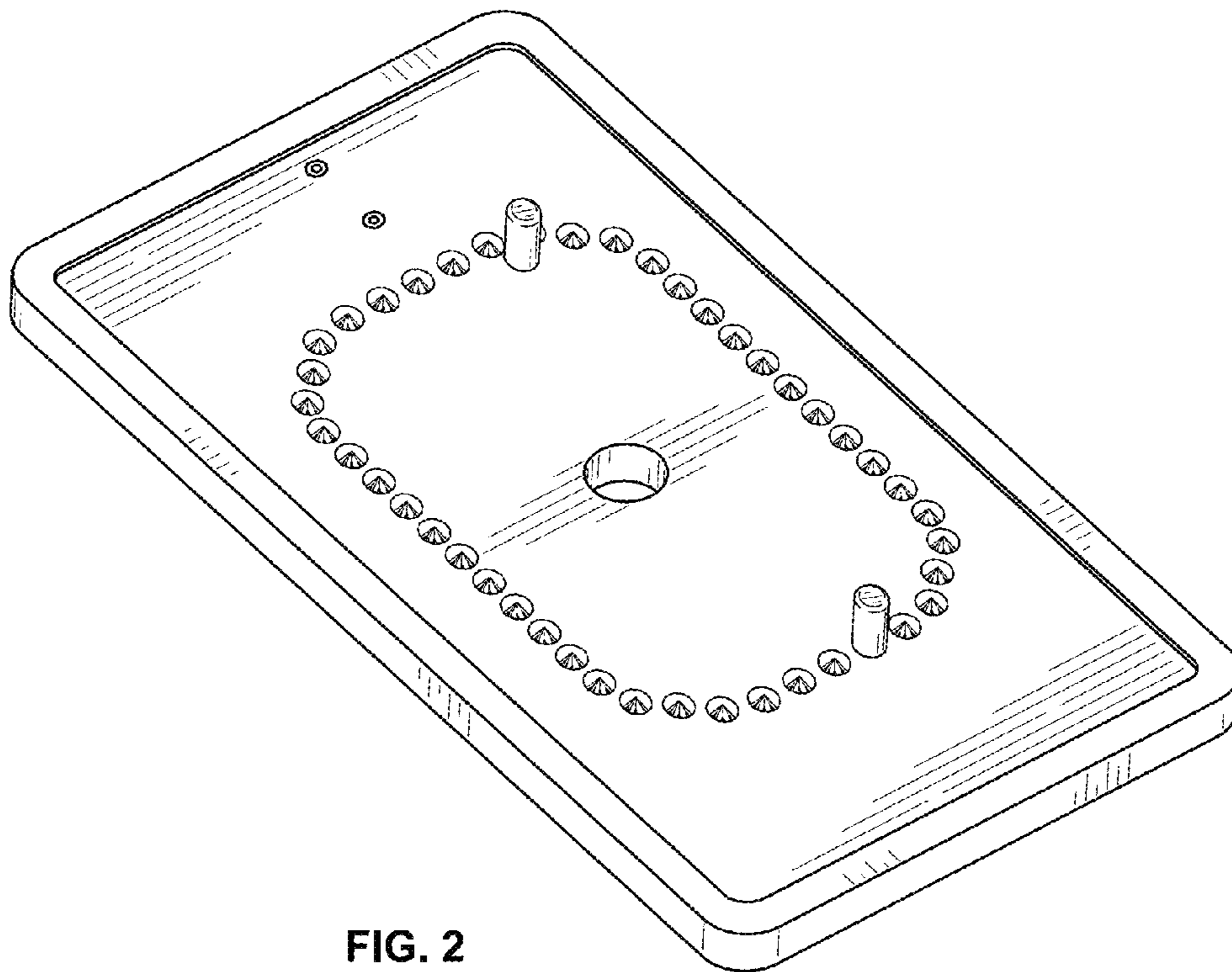


FIG. 2



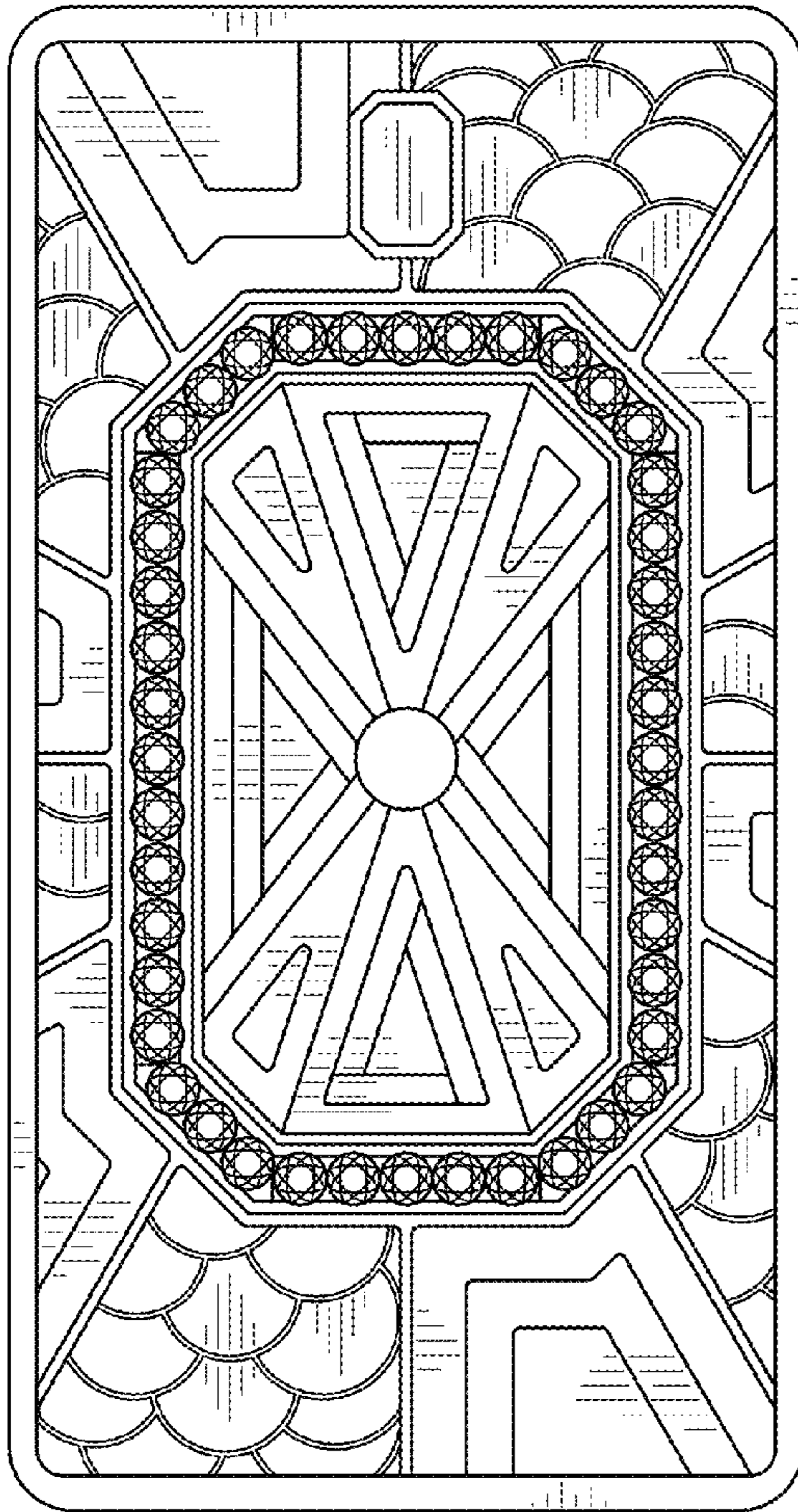


FIG. 3

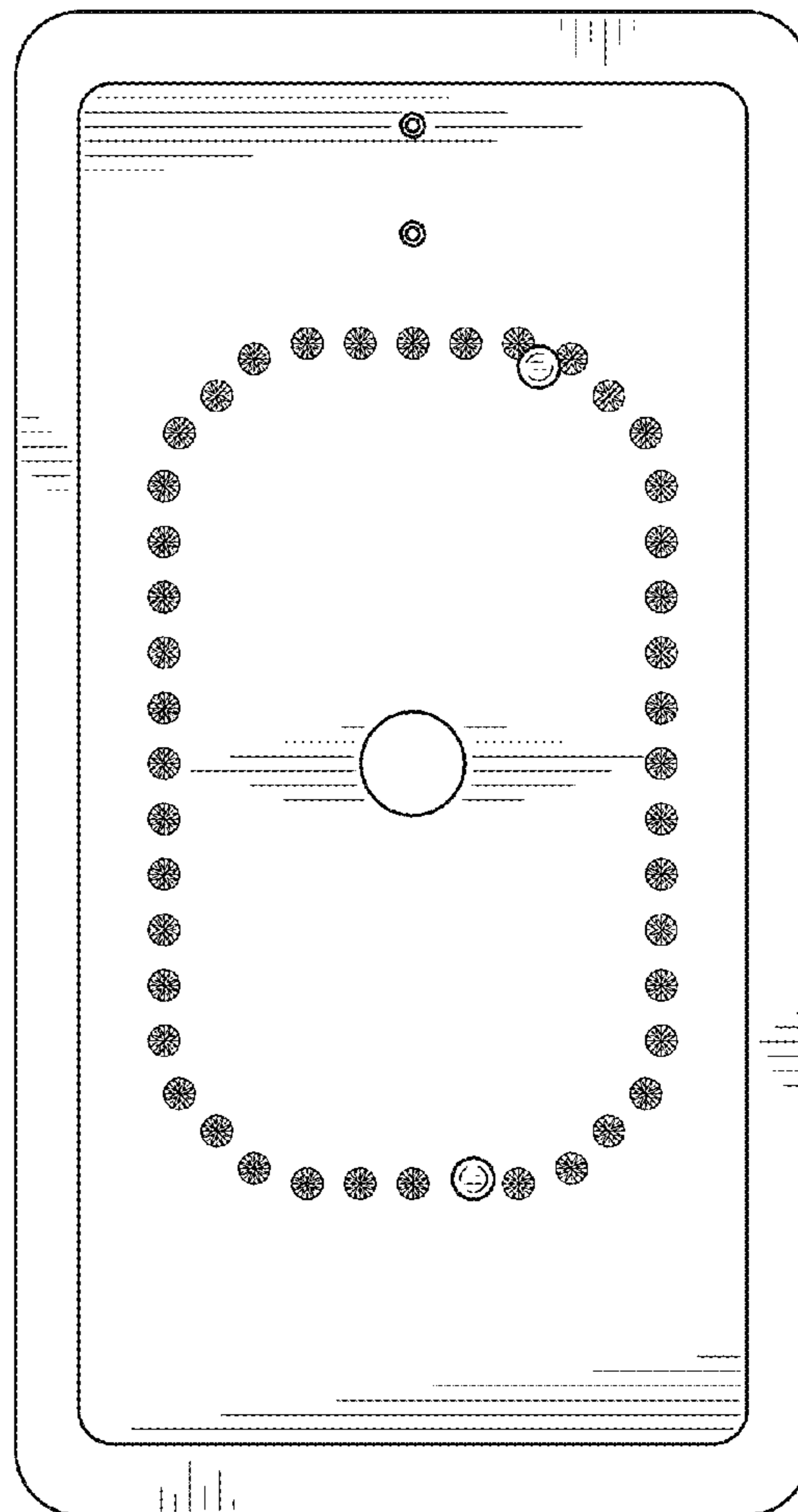


FIG. 4

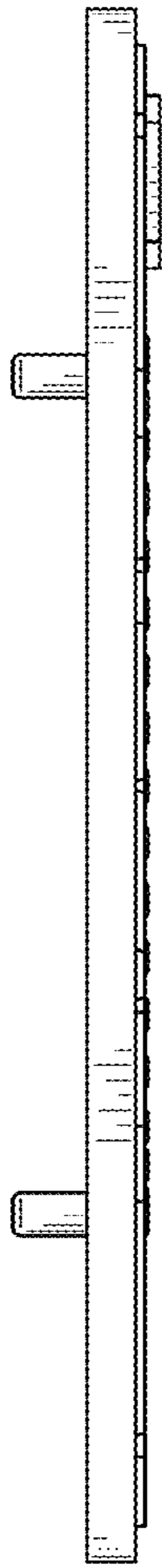


FIG. 5

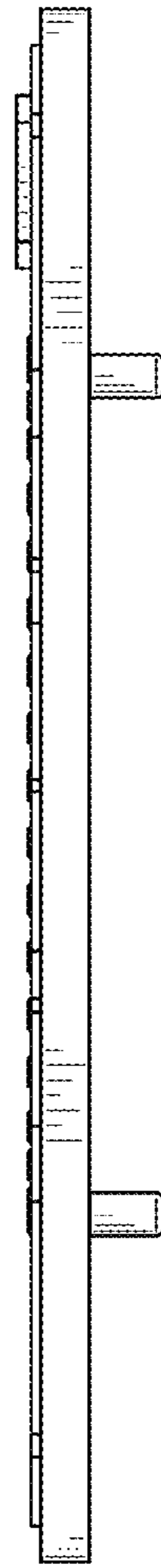


FIG. 6

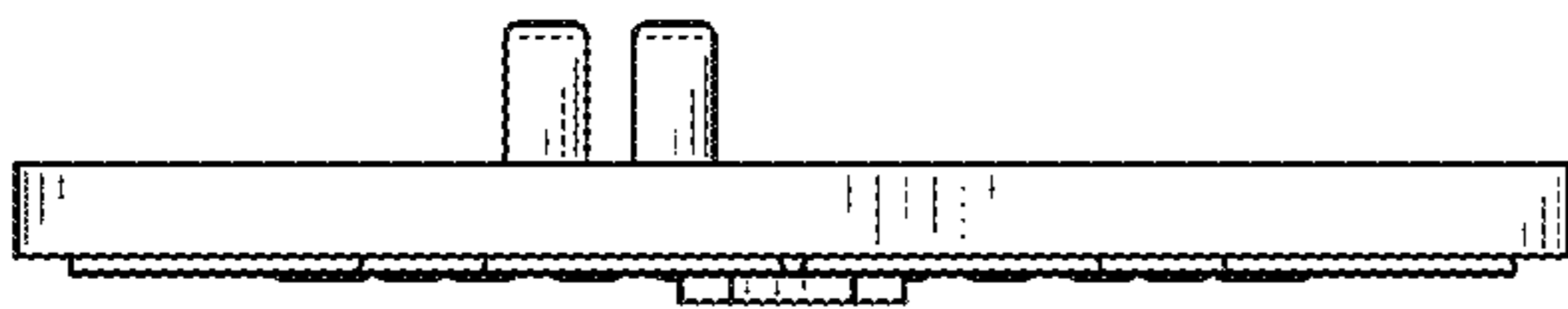


FIG. 7

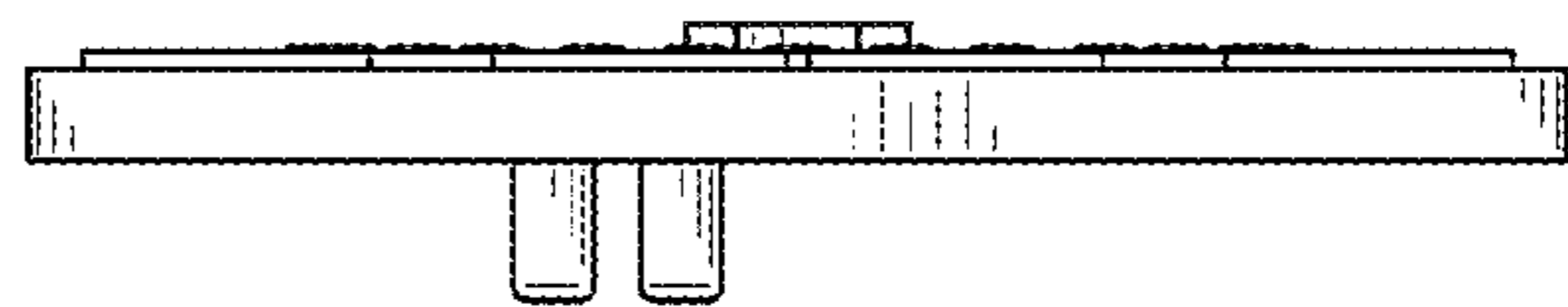


FIG. 8