



US00D729095S

(12) **United States Design Patent**  
**Chiang**

(10) **Patent No.:** **US D729,095 S**

(45) **Date of Patent:** **\*\* May 12, 2015**

(54) **ALARM LIGHT BAR**

(71) Applicant: **Valens Co., Ltd.**, New Taipei (TW)

(72) Inventor: **Willie Chiang**, New Taipei (TW)

(73) Assignee: **Valens Co., Ltd.**, New Taipei (TW)

(\*\*) Term: **14 Years**

(21) Appl. No.: **29/493,036**

(22) Filed: **Jun. 5, 2014**

(51) **LOC (10) Cl.** ..... **10-05**

(52) **U.S. Cl.**  
USPC ..... **D10/114.4; D26/37**

(58) **Field of Classification Search**  
USPC ..... **D10/114.4, 114.3; D26/28, 119, 120,**  
**D26/72, 85; 362/485**

See application file for complete search history.

(56) **References Cited**

U.S. PATENT DOCUMENTS

D564,928 S \* 3/2008 Belitz et al. .... D10/114.4  
D594,769 S \* 6/2009 Shin ..... D10/114.4  
D603,740 S \* 11/2009 Lyons ..... D10/114.4

\* cited by examiner

*Primary Examiner* — George D Kirschbaum

(74) *Attorney, Agent, or Firm* — Alan D. Kamrath; Kamrath IP Lawfirm, P.A.

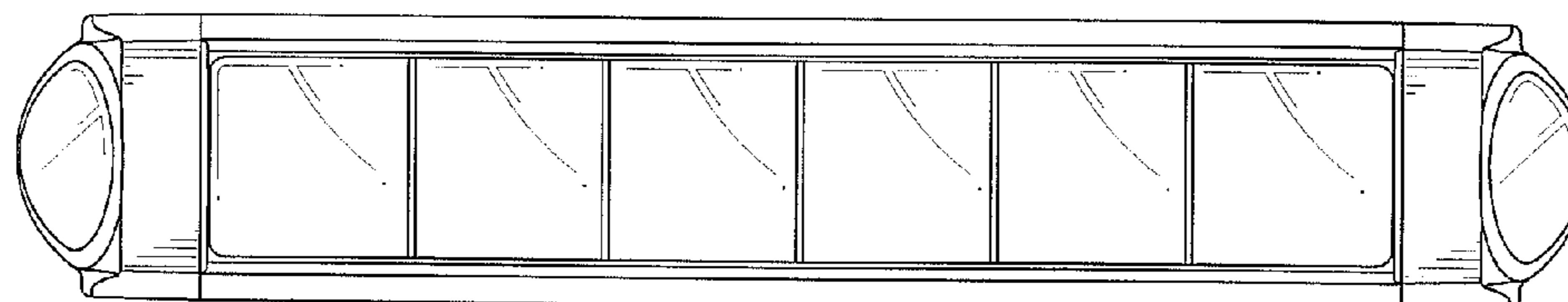
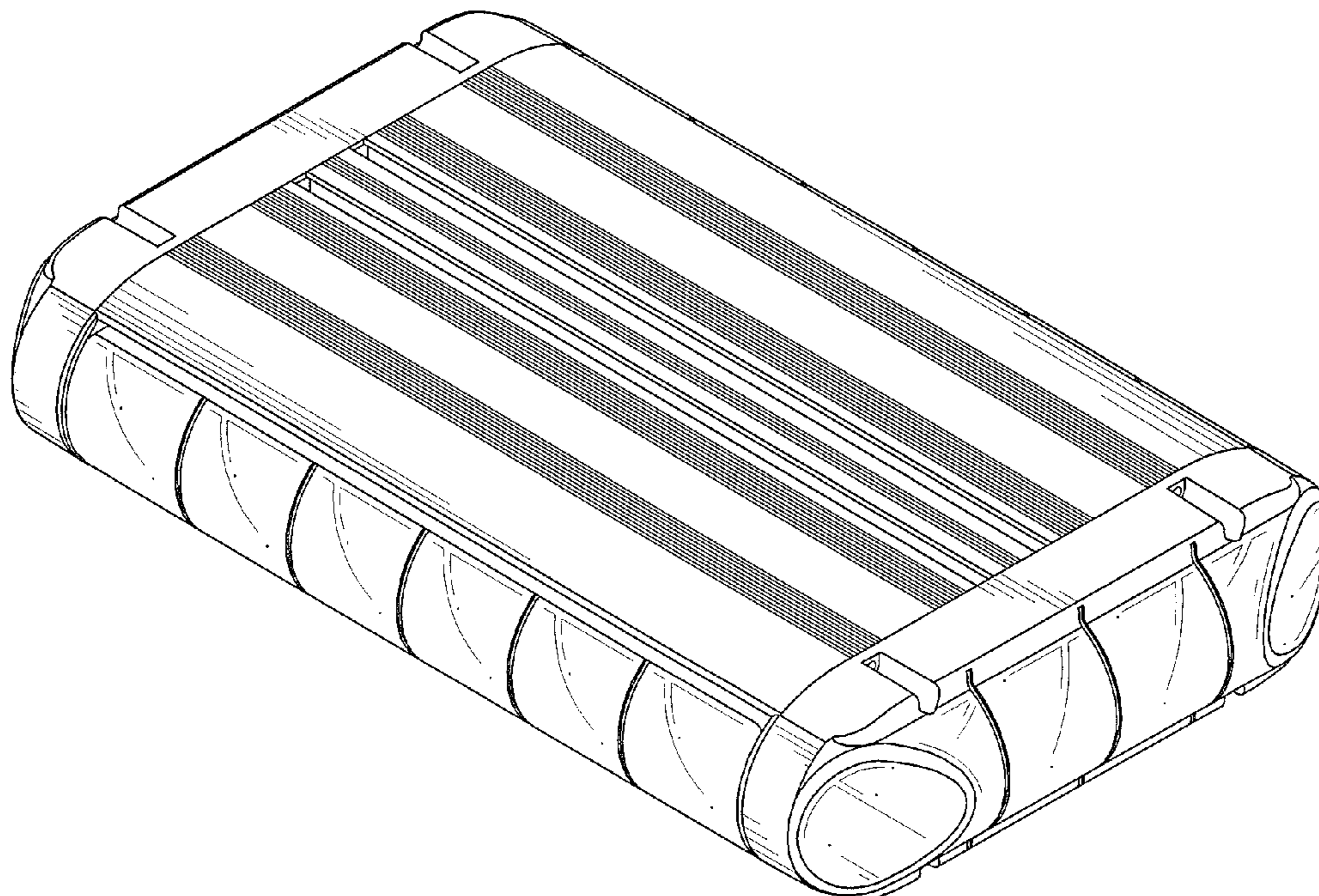
(57) **CLAIM**

The ornamental design for an alarm light bar, as shown.

**DESCRIPTION**

FIG. 1 is a perspective view of an alarm light bar, showing my new design;  
FIG. 2 is a top view thereof;  
FIG. 3 is a bottom view thereof;  
FIG. 4 is a front view thereof;  
FIG. 5 is a rear view thereof;  
FIG. 6 is a left side view thereof; and,  
FIG. 7 is a right side view thereof.

**1 Claim, 7 Drawing Sheets**



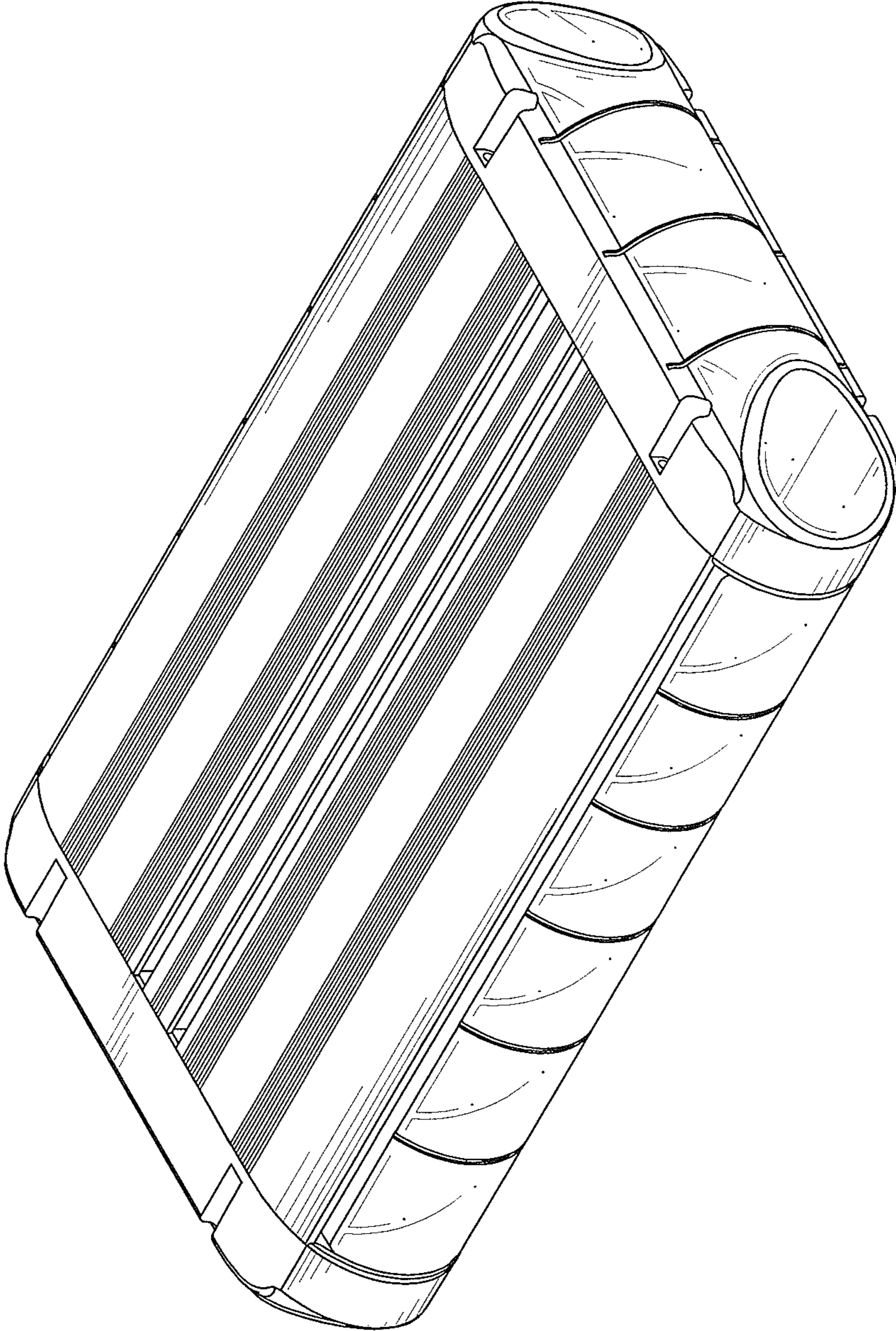


FIG. 1

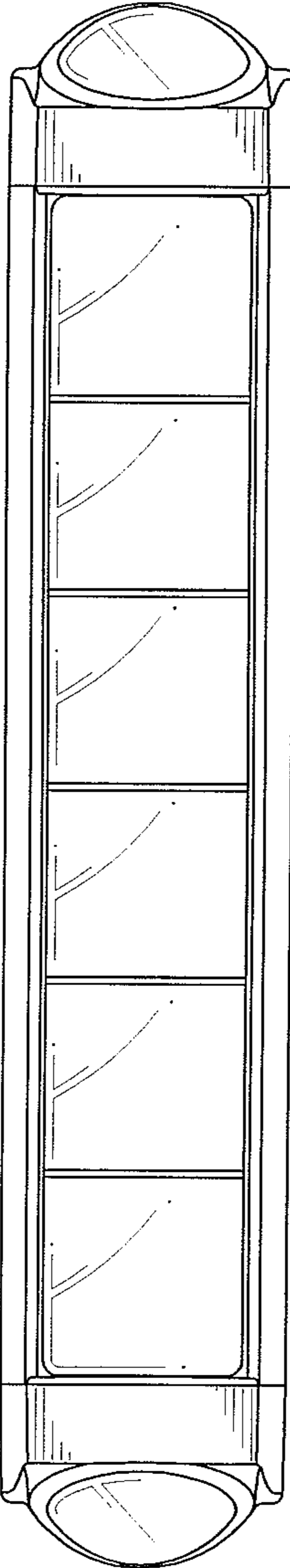


FIG. 2

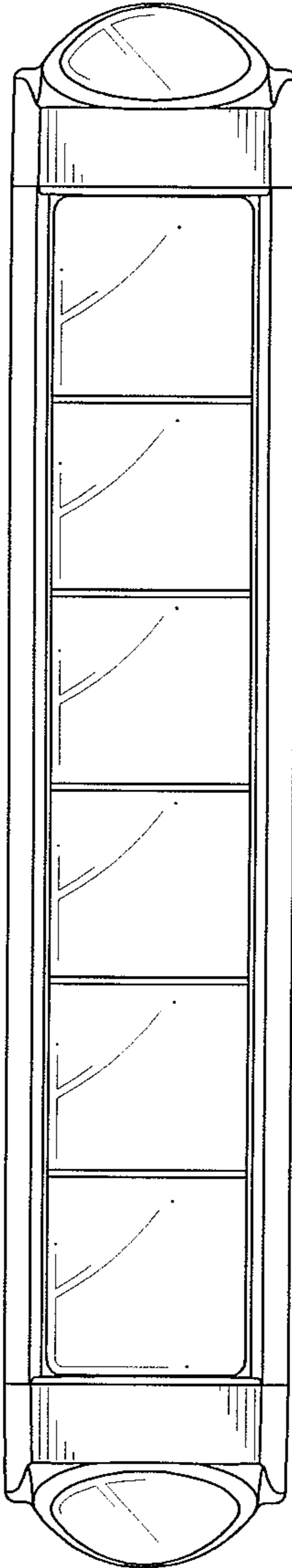


FIG. 3

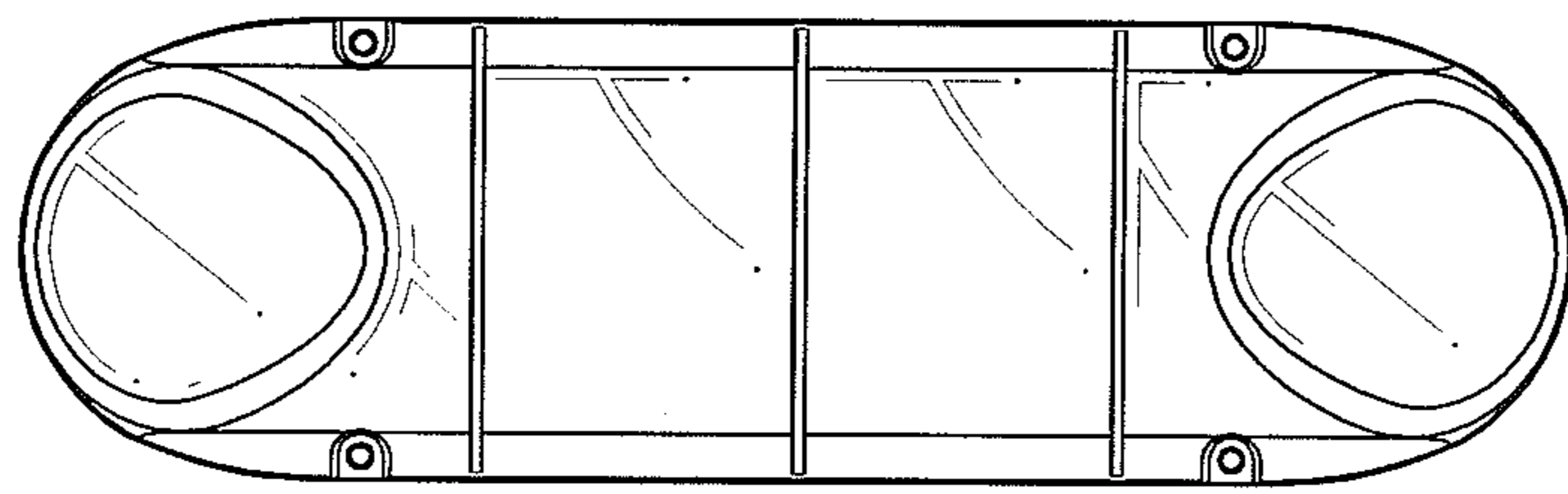


FIG. 4

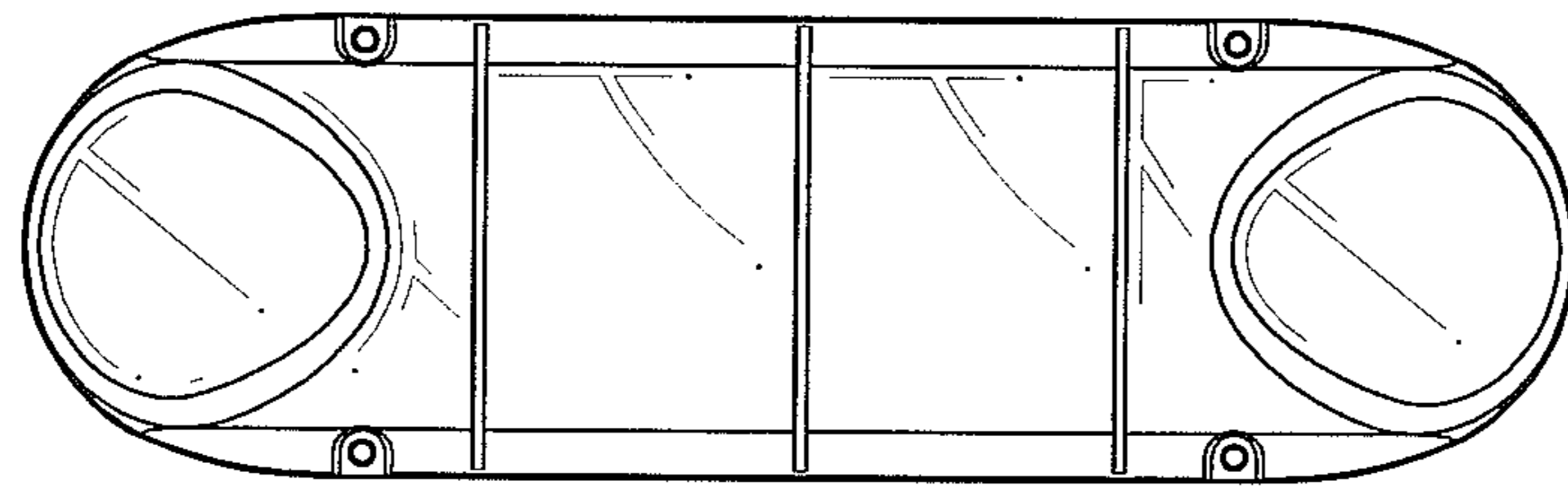


FIG. 5

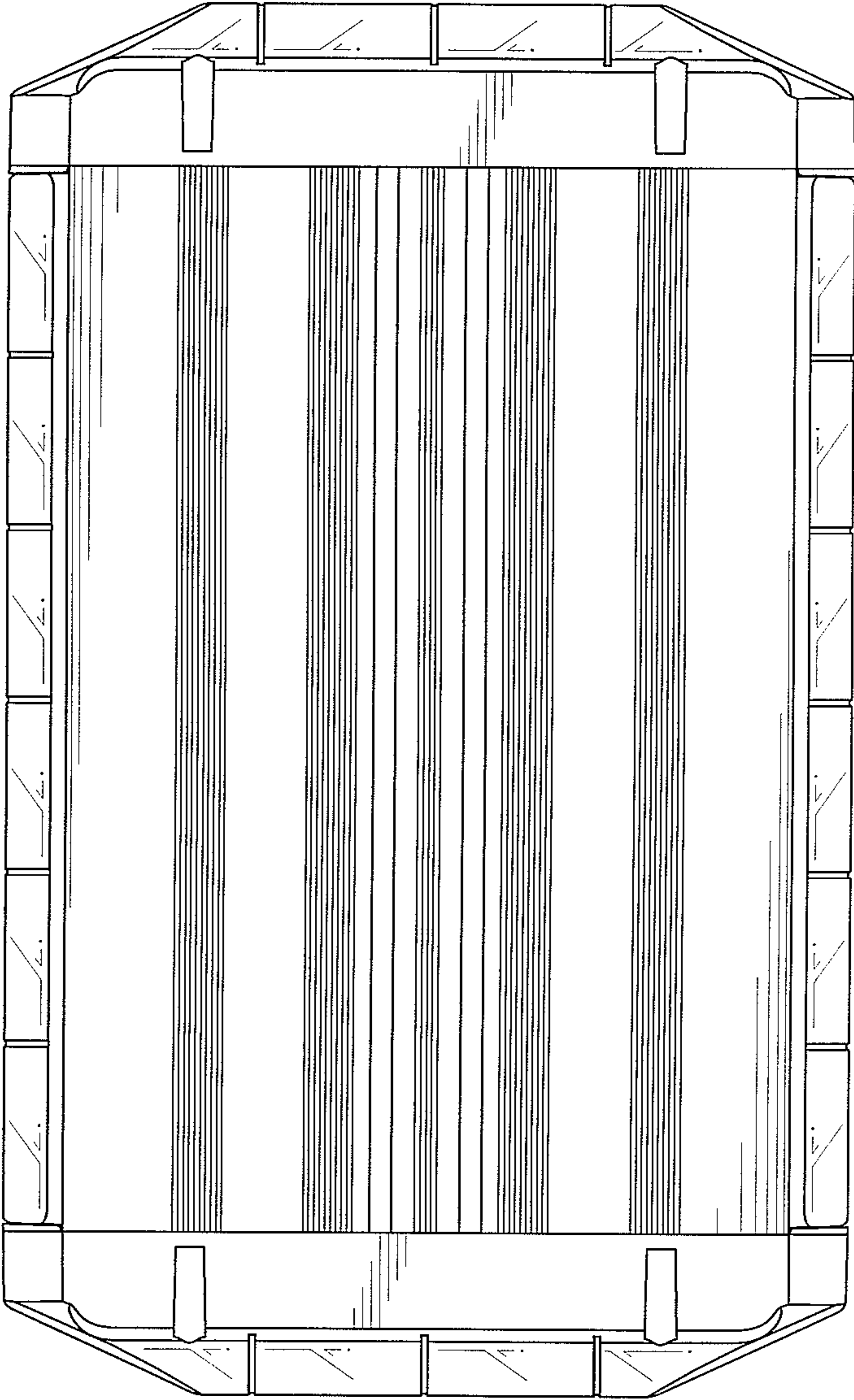


FIG. 6

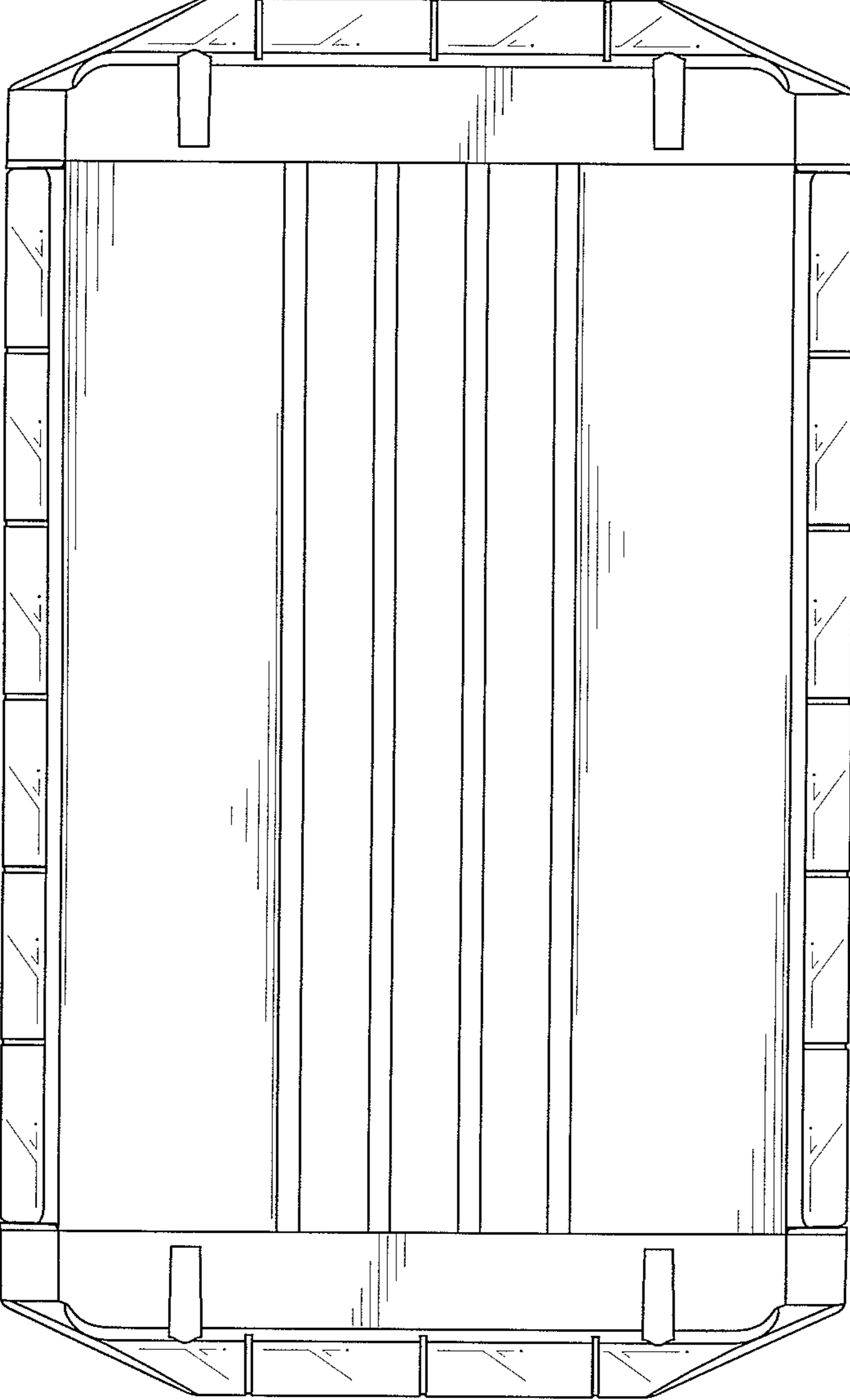


FIG. 7