



US00D729088S

(12) **United States Design Patent**
Phillips et al.

(10) **Patent No.:** **US D729,088 S**

(45) **Date of Patent:** **** May 12, 2015**

(54) **ELECTRONIC DEVICE**

(71) Applicant: **Samsung Electronics Co., Ltd.**,
Suwon-si (KR)

(72) Inventors: **Sheldon George Phillips**, Glendale, CA
(US); **Frank Nuovo**, Los Angeles, CA
(US); **Joseph J Kopp, Jr.**, Fairfield, CA
(US)

(73) Assignee: **Samsung Electronics Co., Ltd.**,
Suwon-si (KR)

(**) Term: **14 Years**

(21) Appl. No.: **29/491,663**

(22) Filed: **May 22, 2014**

(51) **LOC (10) Cl.** **10-04**

(52) **U.S. Cl.**

USPC **D10/103; D11/3**

(58) **Field of Classification Search**

CPC G08G 1/096883; G08G 1/096872;
G08G 1/096775; G01C 21/16; G01C 21/3688;
G01C 21/30; G01V 8/20; G01J 5/02; G01J
5/023; G01J 5/24; G01J 5/10; G01J 5/20;
G01J 5/0235; G01J 5/08; G01J 5/0853;
G01J 5/33; G01J 5/34
USPC D10/30-39, 65, 70, 78, 97, 98, 103;
D11/3; D13/173-177; D14/138 R,
D14/203.5, 247, 338-340, 344, 346, 347;
D24/167, 186

See application file for complete search history.

(56) **References Cited**

U.S. PATENT DOCUMENTS

D299,718 S * 2/1989 Steer et al. D14/247
D305,422 S * 1/1990 Steer et al. D14/247
D331,020 S * 11/1992 Ishii et al. D10/31
D455,093 S * 4/2002 Fitzgerald D10/98
D528,439 S * 9/2006 Burton D10/32
D528,928 S * 9/2006 Burton D10/38

D536,265 S * 2/2007 Reynoso D10/31
D538,687 S * 3/2007 Komulainen D10/70
D549,602 S * 8/2007 Oberrieder et al. D10/65
D550,105 S * 9/2007 Oberrieder et al. D10/65
D560,520 S * 1/2008 Oberrieder et al. D10/65
D569,282 S * 5/2008 Daniel D10/65
D573,905 S * 7/2008 Poirier D10/65
D610,476 S * 2/2010 Daniel D10/65
D645,360 S * 9/2011 Kiser et al. D10/32
D670,583 S * 11/2012 Shaanan D10/70
D672,667 S * 12/2012 Mix D10/65

* cited by examiner

Primary Examiner — Antoine D Davis

(74) *Attorney, Agent, or Firm* — McAndrews Held & Malloy, Ltd.

(57) **CLAIM**

The ornamental design for an electronic device, as shown and described.

DESCRIPTION

This application makes reference to:
U.S. Design application Ser. No. 29/491,652 filed May 22, 2014.

The above referenced application, and all of the subject matter disclosed therein, is incorporated herein by reference in its entirety.

FIG. 1 is a bottom left rear perspective view of an electronic device showing our new design;

FIG. 2 is a rear elevation view thereof;

FIG. 3 is a left side elevation view thereof;

FIG. 4 is a right side elevation view thereof;

FIG. 5 is a top plan view thereof;

FIG. 6 is a bottom plan view thereof;

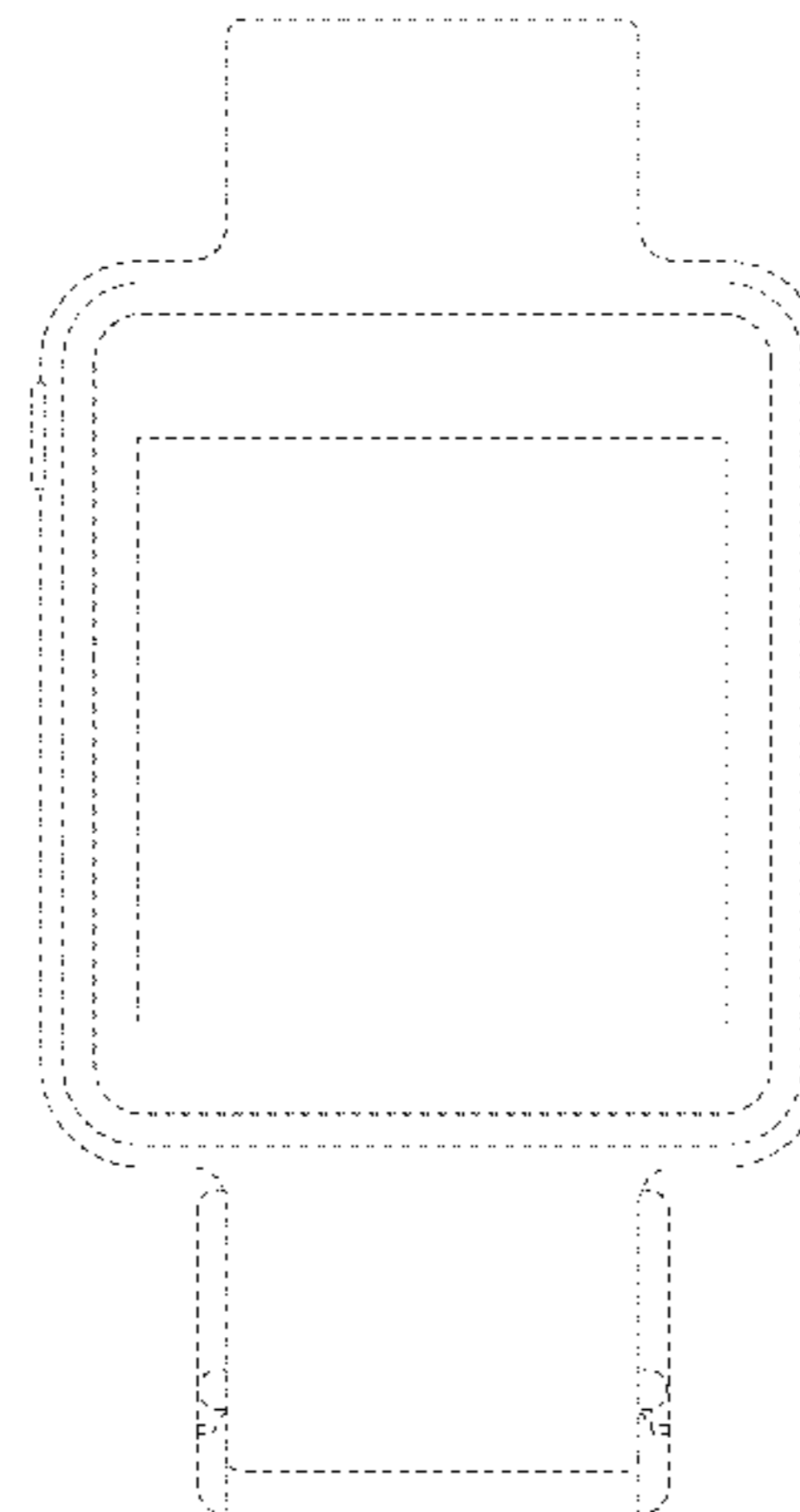
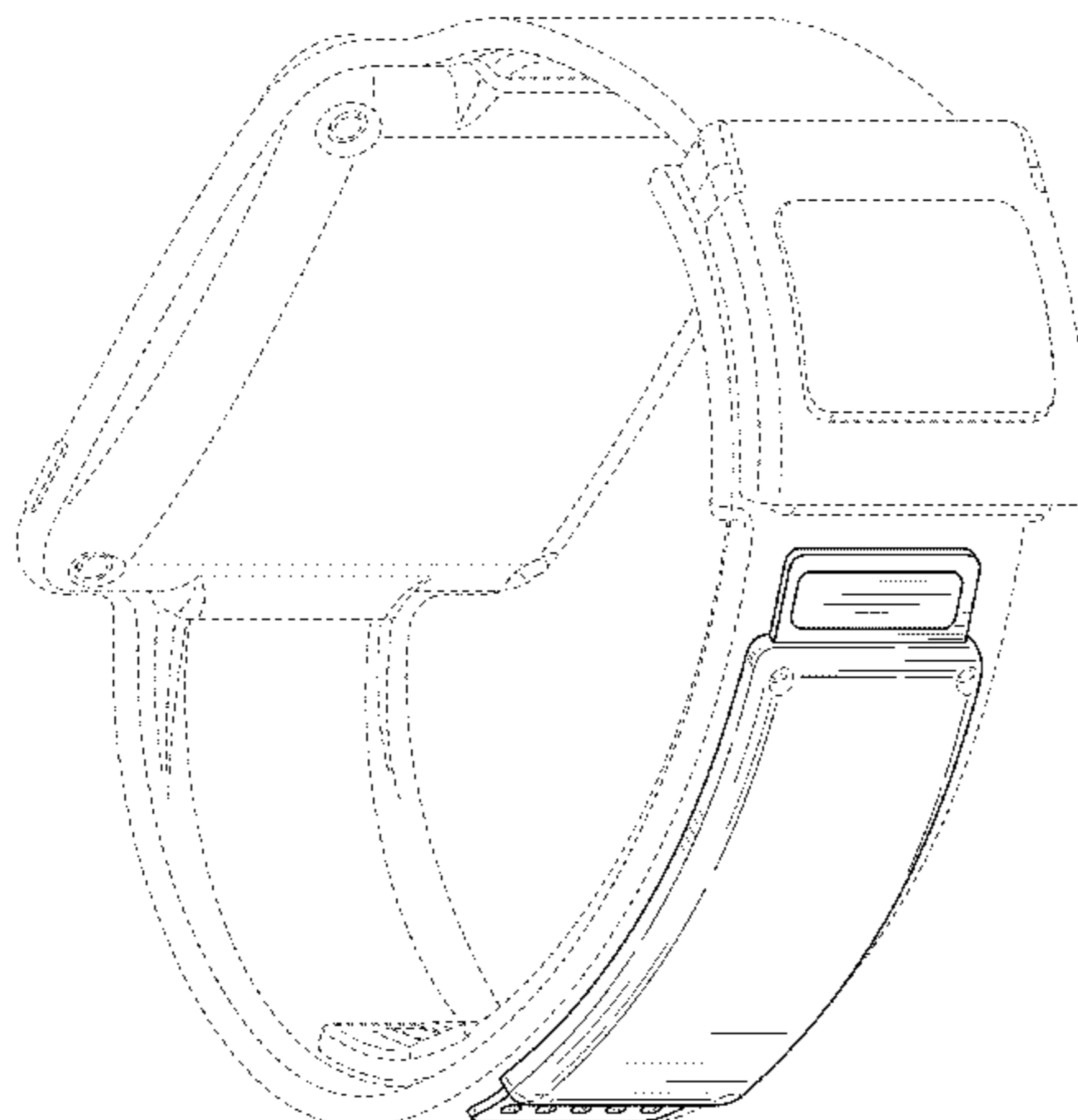
FIG. 7 is a left front perspective view thereof; and,

FIG. 8 is a front elevation view thereof.

The dashed broken lines are for environmental purposes only and form no part of the claimed design.

Any views of the electronic device that are not shown in the figures form no part of the claimed design.

1 Claim, 7 Drawing Sheets



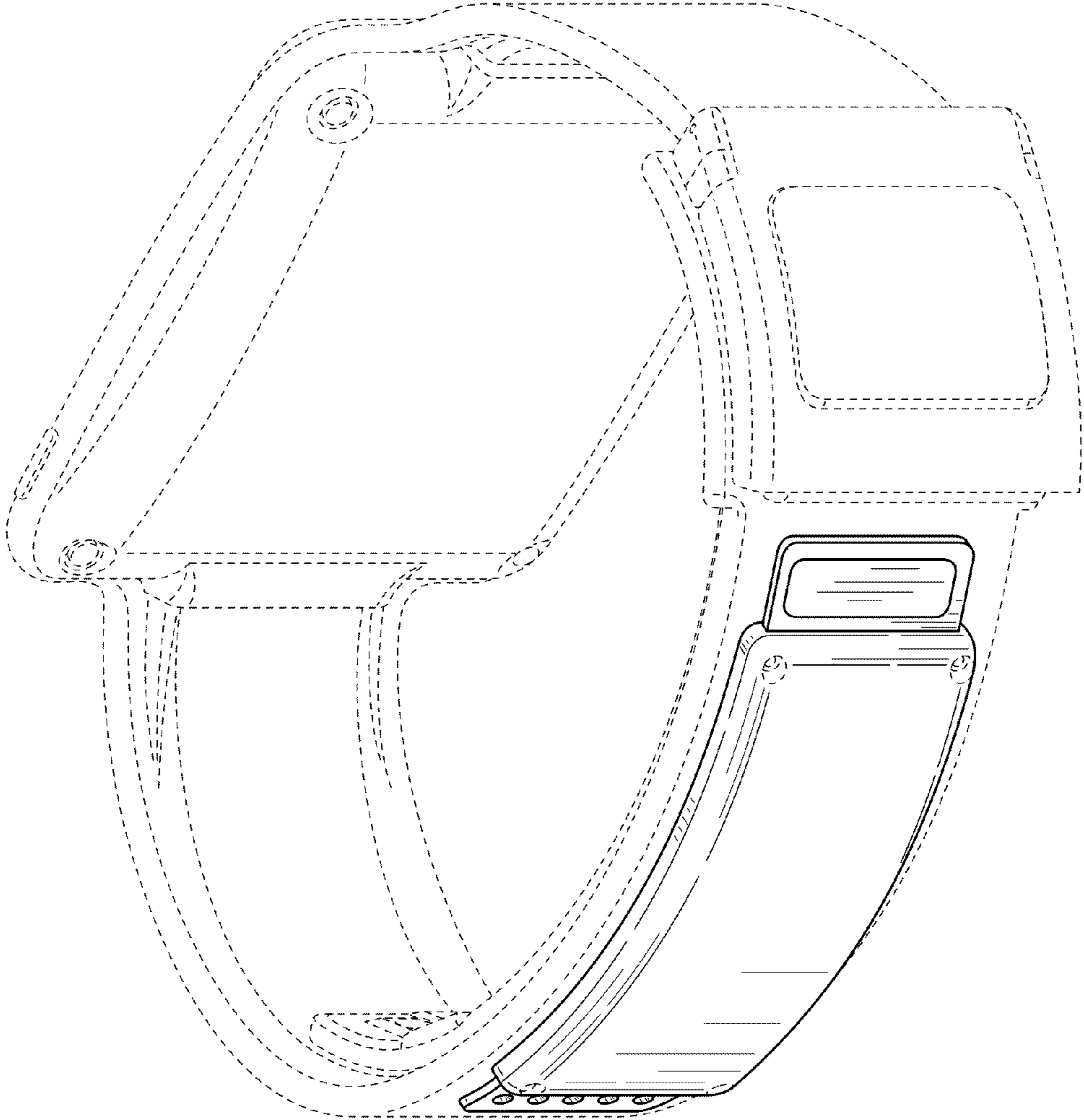


FIG. 1

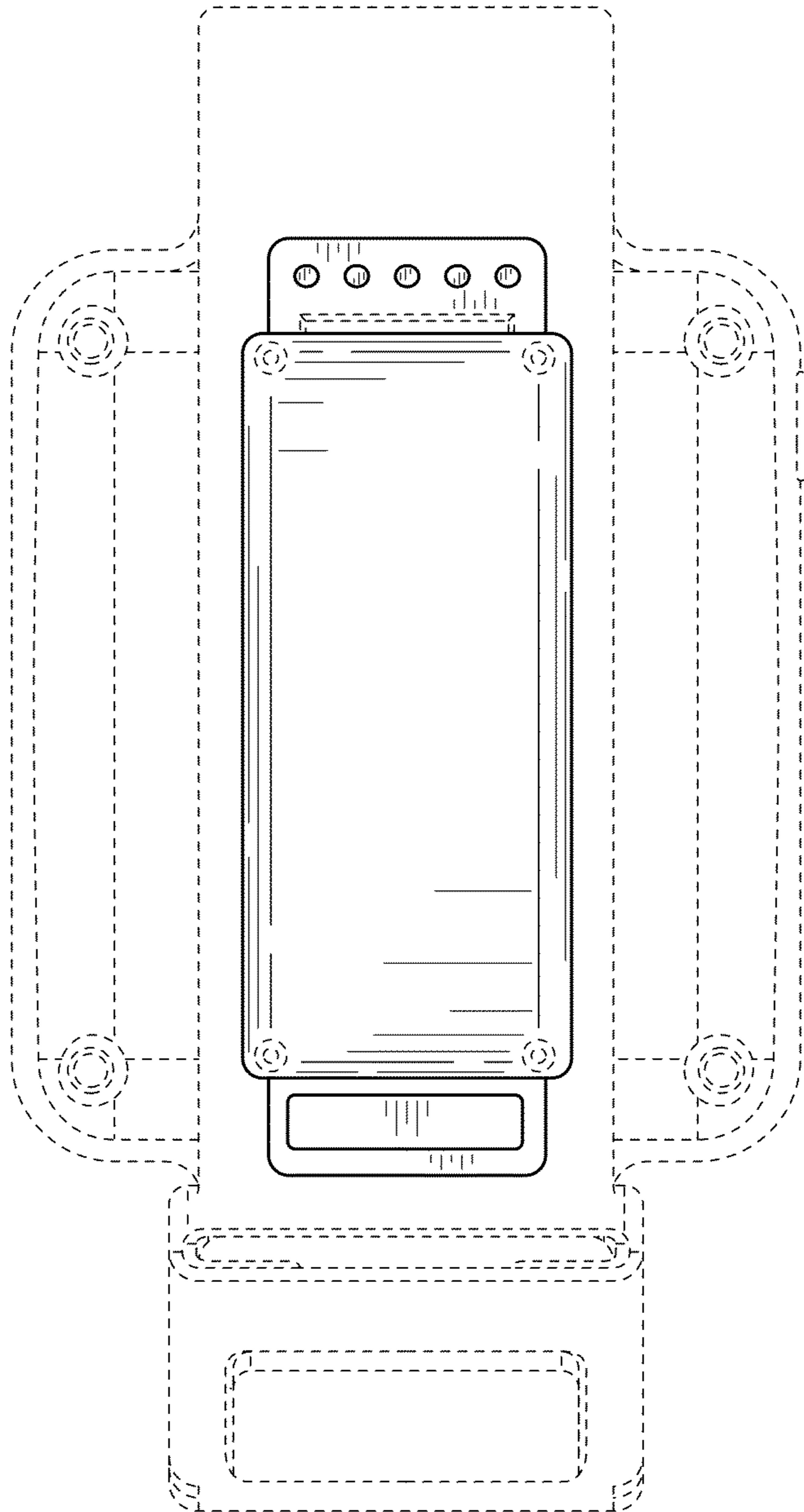


FIG. 2

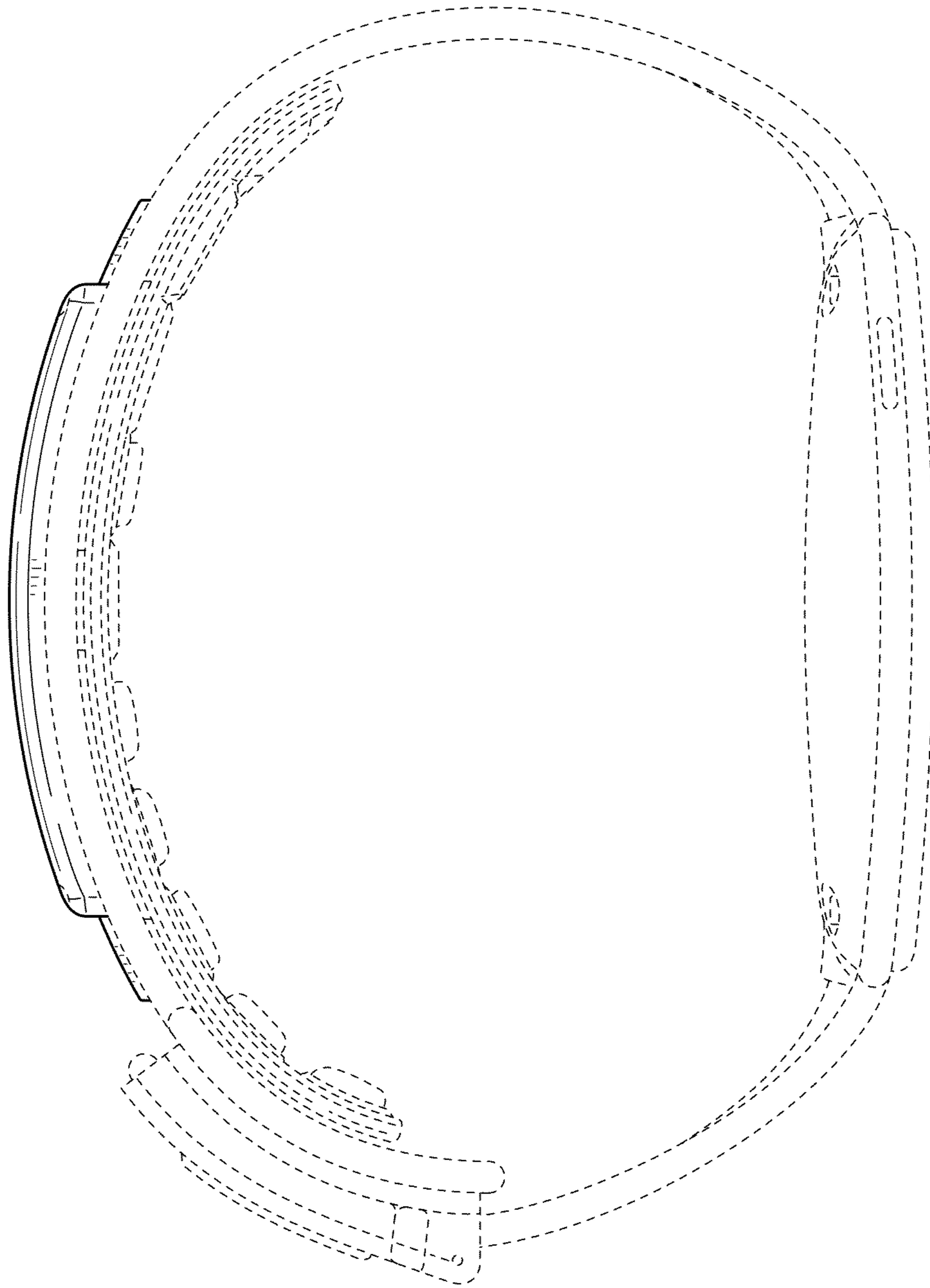


FIG. 3

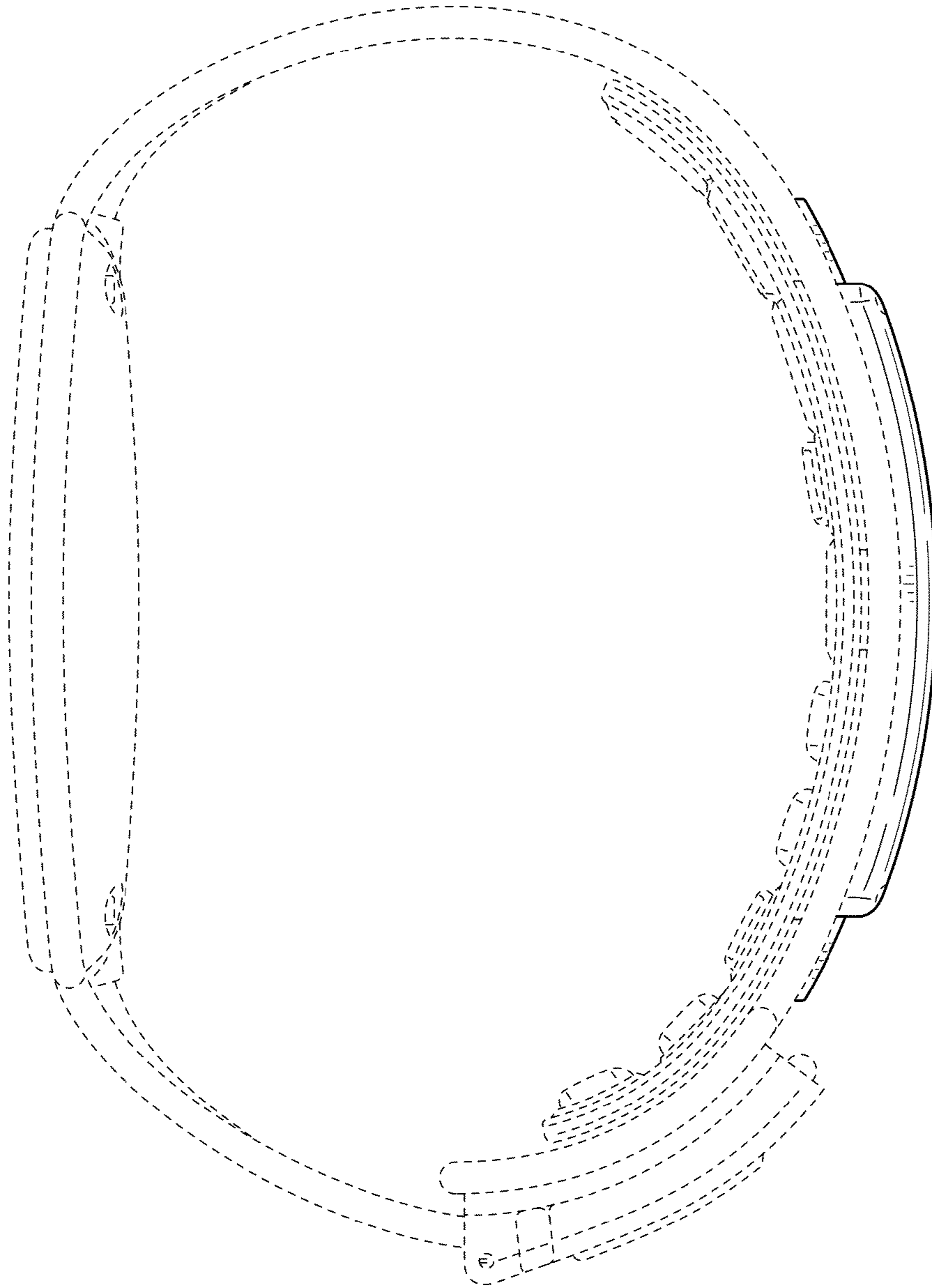


FIG. 4

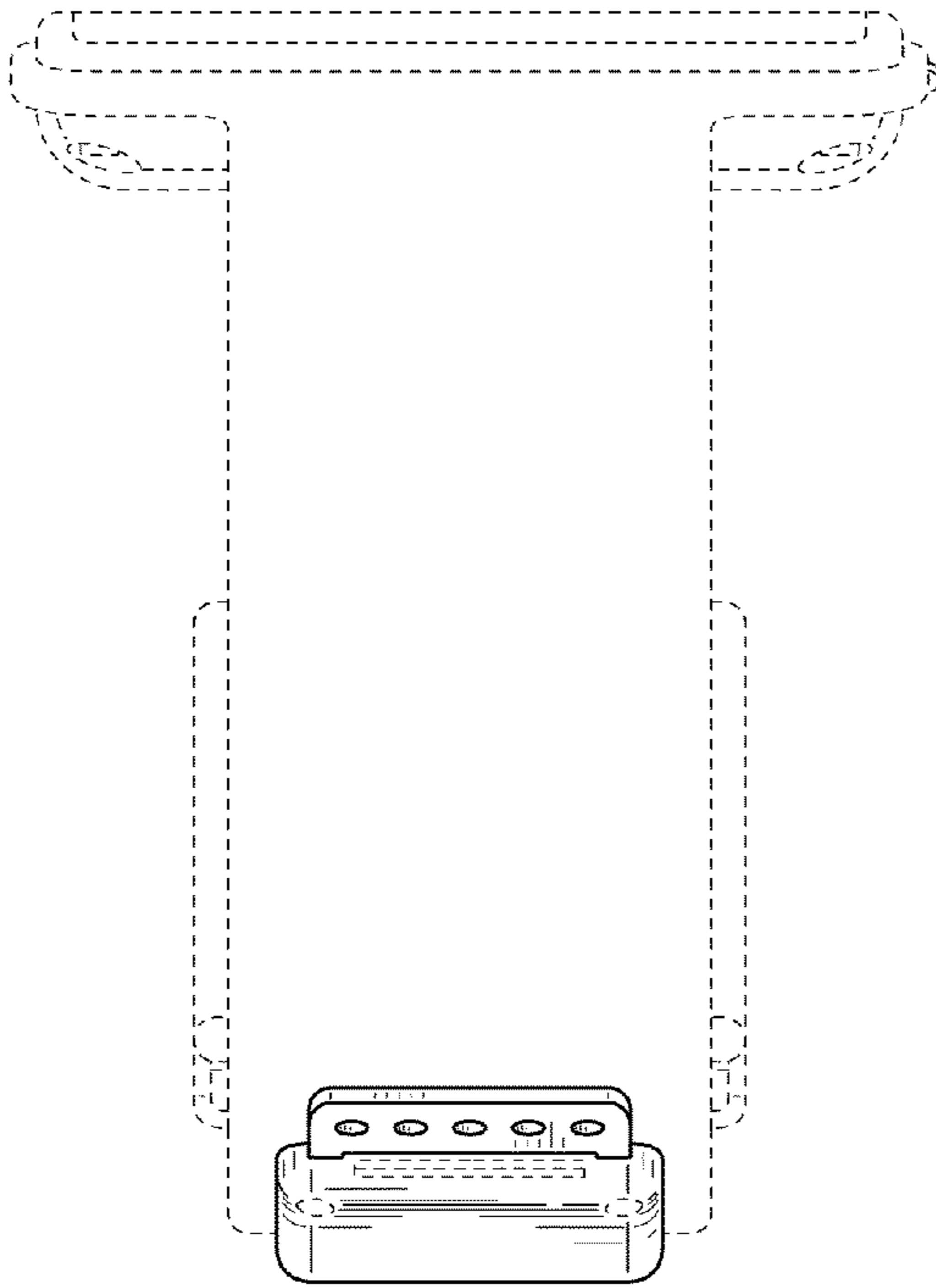


FIG. 5

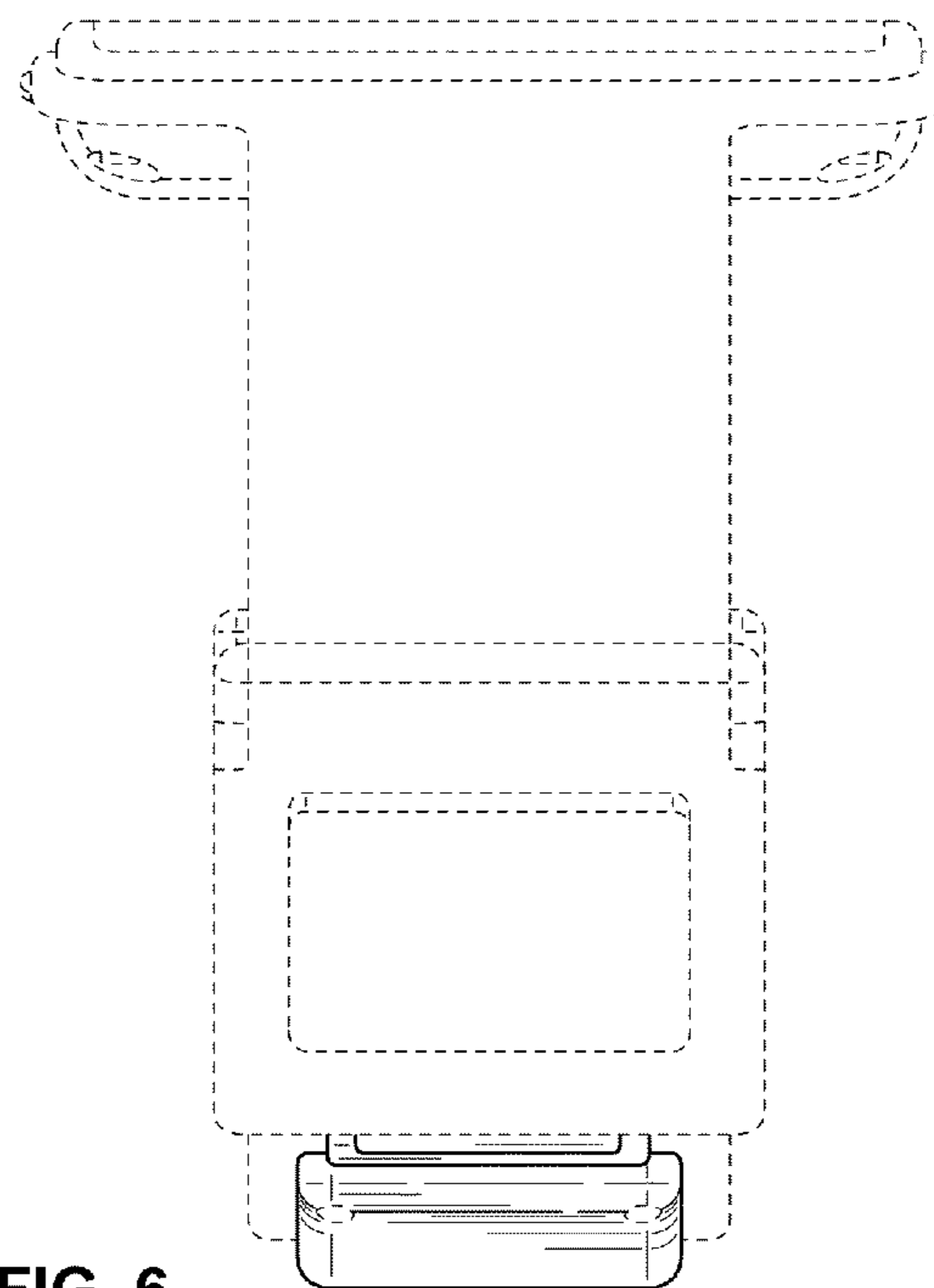


FIG. 6

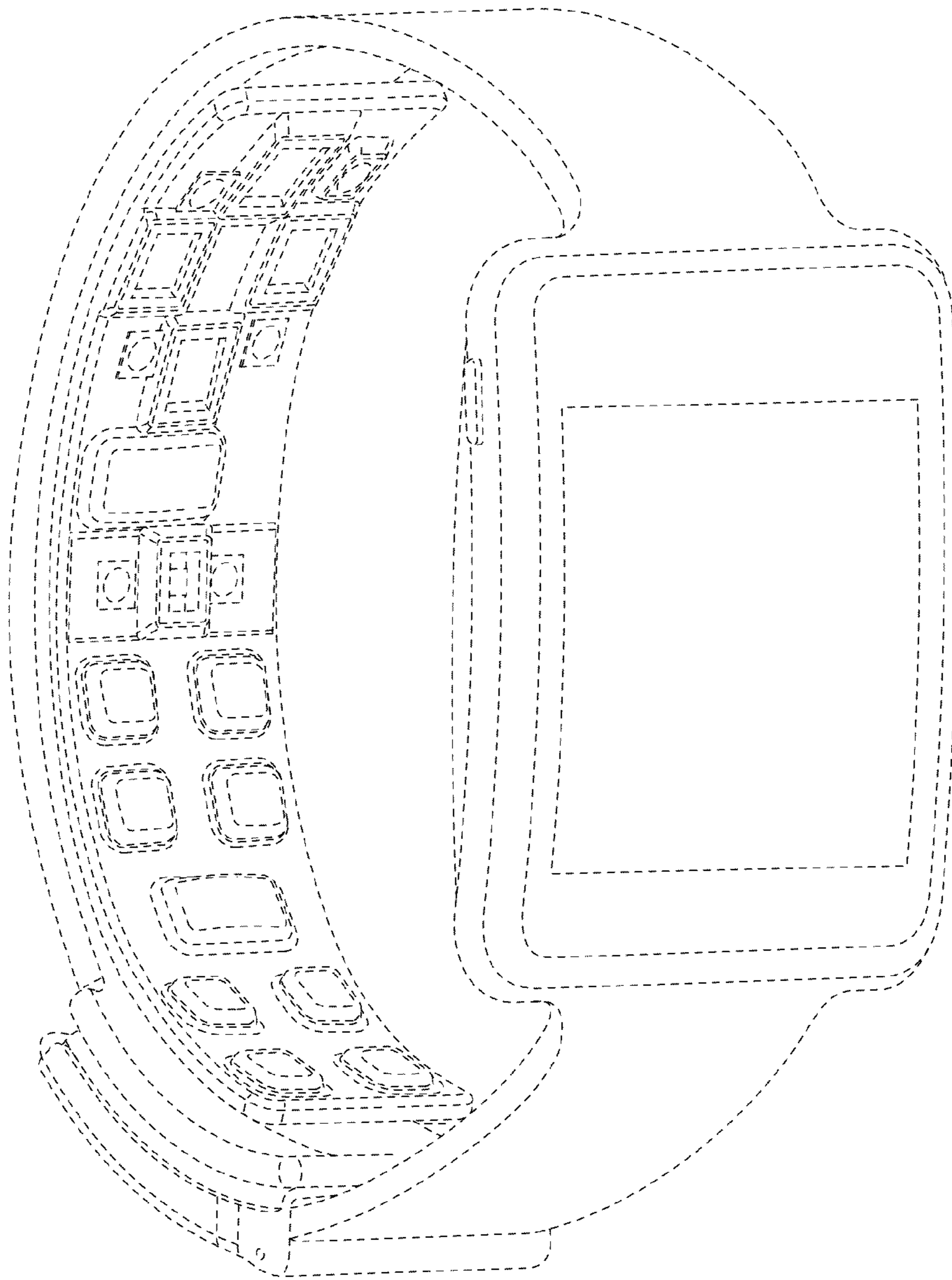


FIG. 7

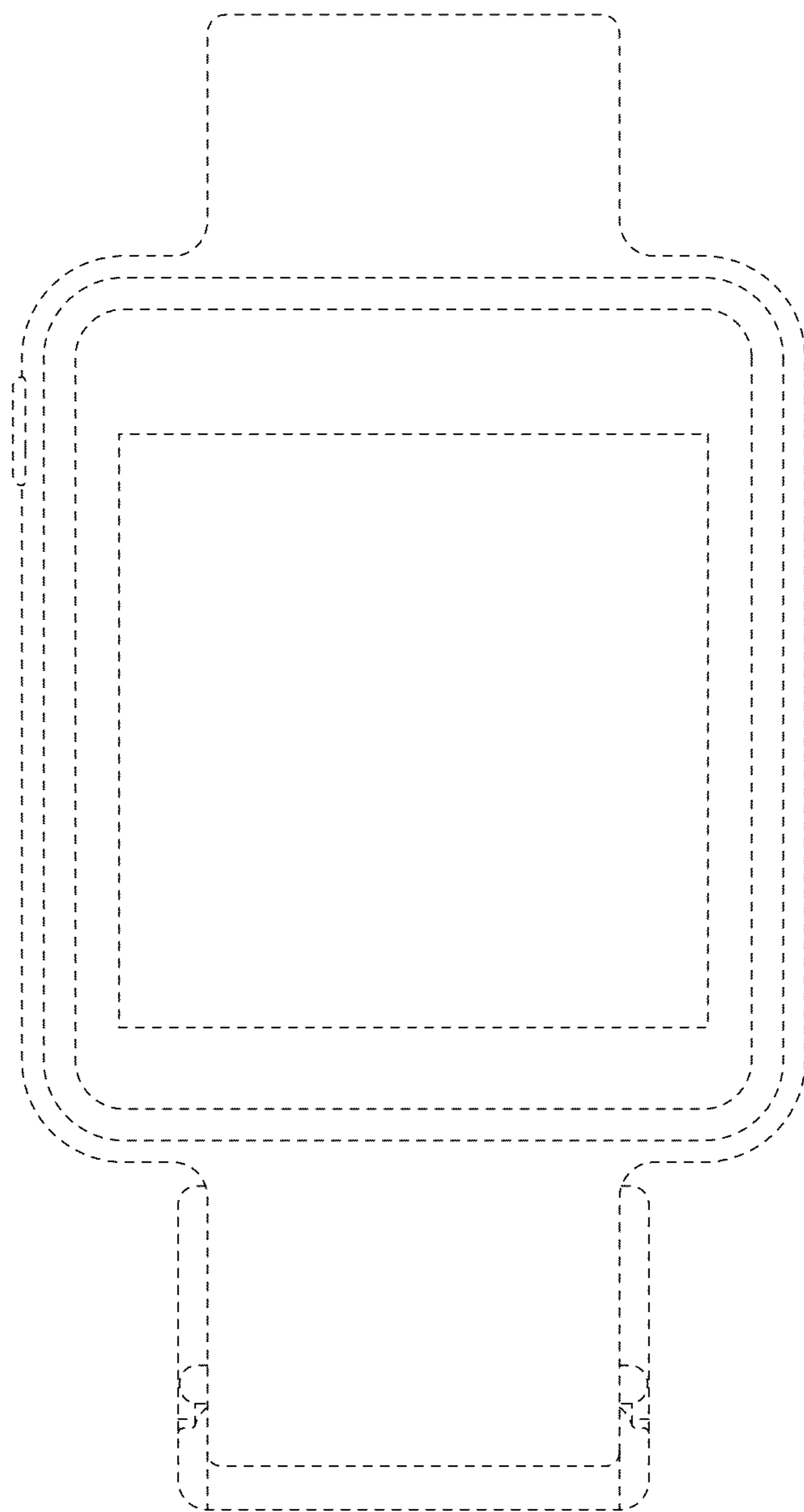


FIG. 8