



US00D729087S

(12) **United States Design Patent**
Phillips et al.

(10) **Patent No.:** **US D729,087 S**
(45) **Date of Patent:** **** May 12, 2015**

- (54) **ELECTRONIC DEVICE**
- (71) Applicant: **Samsung Electronics Co., Ltd.**,
Suwon-si (KR)
- (72) Inventors: **Sheldon George Phillips**, Glendale, CA
(US); **Joseph J. Kopp, Jr.**, Fairfield, CA
(US)
- (73) Assignee: **Samsung Electronics Co., Ltd.**,
Suwon-si (KR)
- (**) Term: **14 Years**
- (21) Appl. No.: **29/491,662**
- (22) Filed: **May 22, 2014**
- (51) **LOC (10) Cl.** **10-04**
- (52) **U.S. Cl.**
USPC **D10/103; D11/3**
- (58) **Field of Classification Search**
CPC G08G 1/096883; G08G 1/096872;
G08G 1/096775; G01C 21/16; G01C 21/3688;
G01C 21/30; G01V 8/20; G01J 5/02; G01J
5/023; G01J 5/24; G01J 5/10; G01J 5/20;
G01J 5/0235; G01J 5/08; G01J 5/0853;
G01J 5/33; G01J 5/34; G01J 5/00
USPC D10/30-39, 65, 70, 78, 97, 98, 103;
D11/3; D13/173-177; D14/138 R,
D14/203.5, 247, 338-340, 344, 346, 347;
D24/167, 186
See application file for complete search history.

D536,265 S *	2/2007	Reynoso	D10/31
D538,687 S *	3/2007	Komulainen	D10/70
D549,602 S *	8/2007	Oberrieder et al.	D10/65
D550,105 S *	9/2007	Oberrieder et al.	D10/65
D560,520 S *	1/2008	Oberrieder et al.	D10/65
D569,282 S *	5/2008	Daniel	D10/65
D573,905 S *	7/2008	Poirier	D10/65
D610,476 S *	2/2010	Daniel	D10/65
D645,360 S *	9/2011	Kiser et al.	D10/32
D670,583 S *	11/2012	Shaanan	D10/70
D672,667 S *	12/2012	Mix	D10/65

* cited by examiner

Primary Examiner — Antoine D Davis

(74) *Attorney, Agent, or Firm* — McAndrews, Held & Malloy, Ltd.

(57) **CLAIM**

The ornamental design for an electronic device, as shown and described.

DESCRIPTION

This application makes reference to: U.S. Design application Ser. No. 29/491,652 filed May 22, 2014.

The above referenced application, and all of the subject matter disclosed therein, is incorporated herein by reference in its entirety.

FIG. 1 is a bottom left rear perspective view of an electronic device showing our new design;

FIG. 2 is a rear elevation view thereof;

FIG. 3 is a left side elevation view thereof;

FIG. 4 is a right side elevation view thereof;

FIG. 5 is a top plan view thereof;

FIG. 6 is a bottom plan view thereof;

FIG. 7 is a left front perspective view thereof; and,

FIG. 8 is a front elevation view thereof.

The dashed broken lines are for environmental purposes only and form no part of the claimed design.

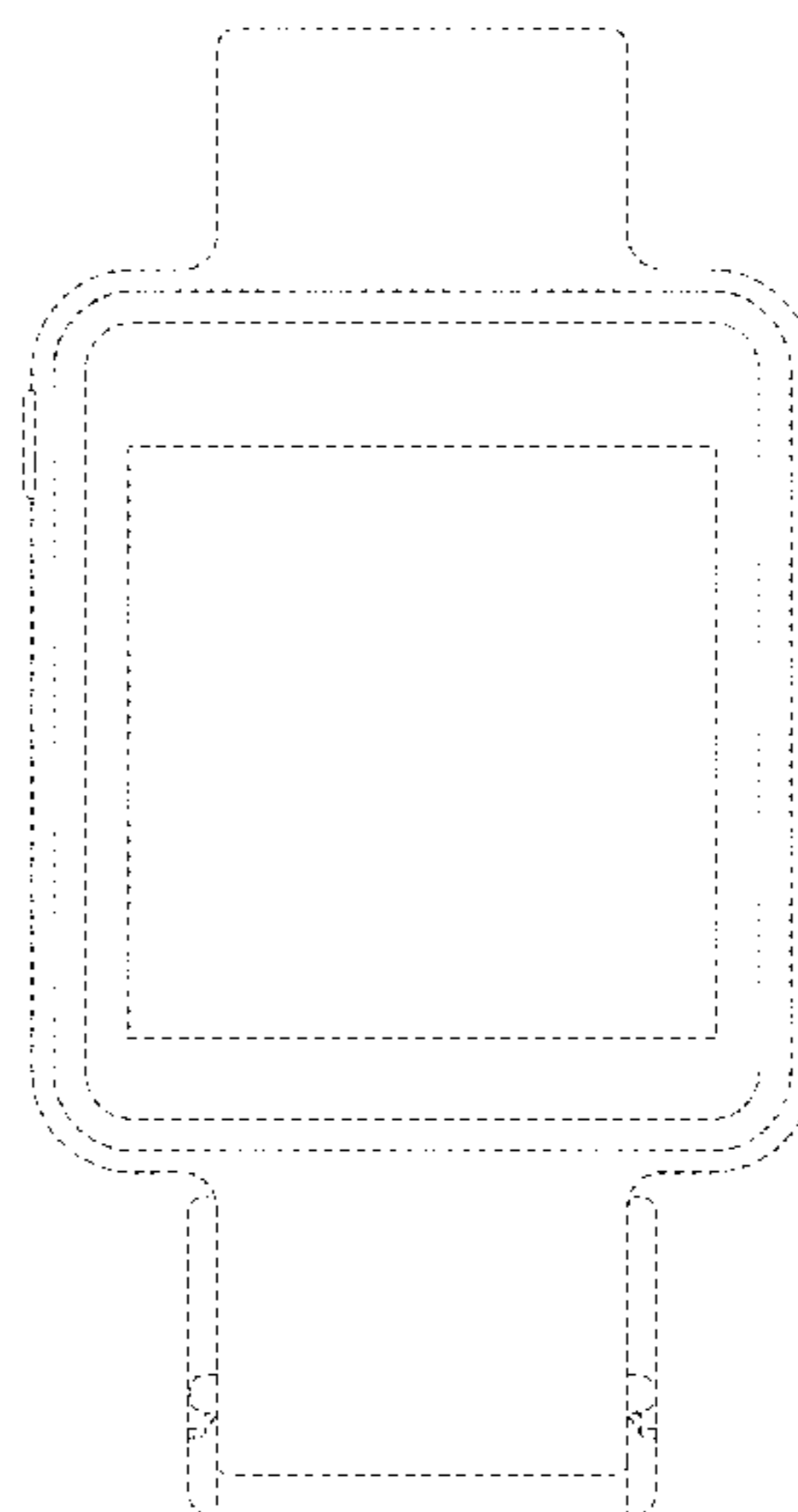
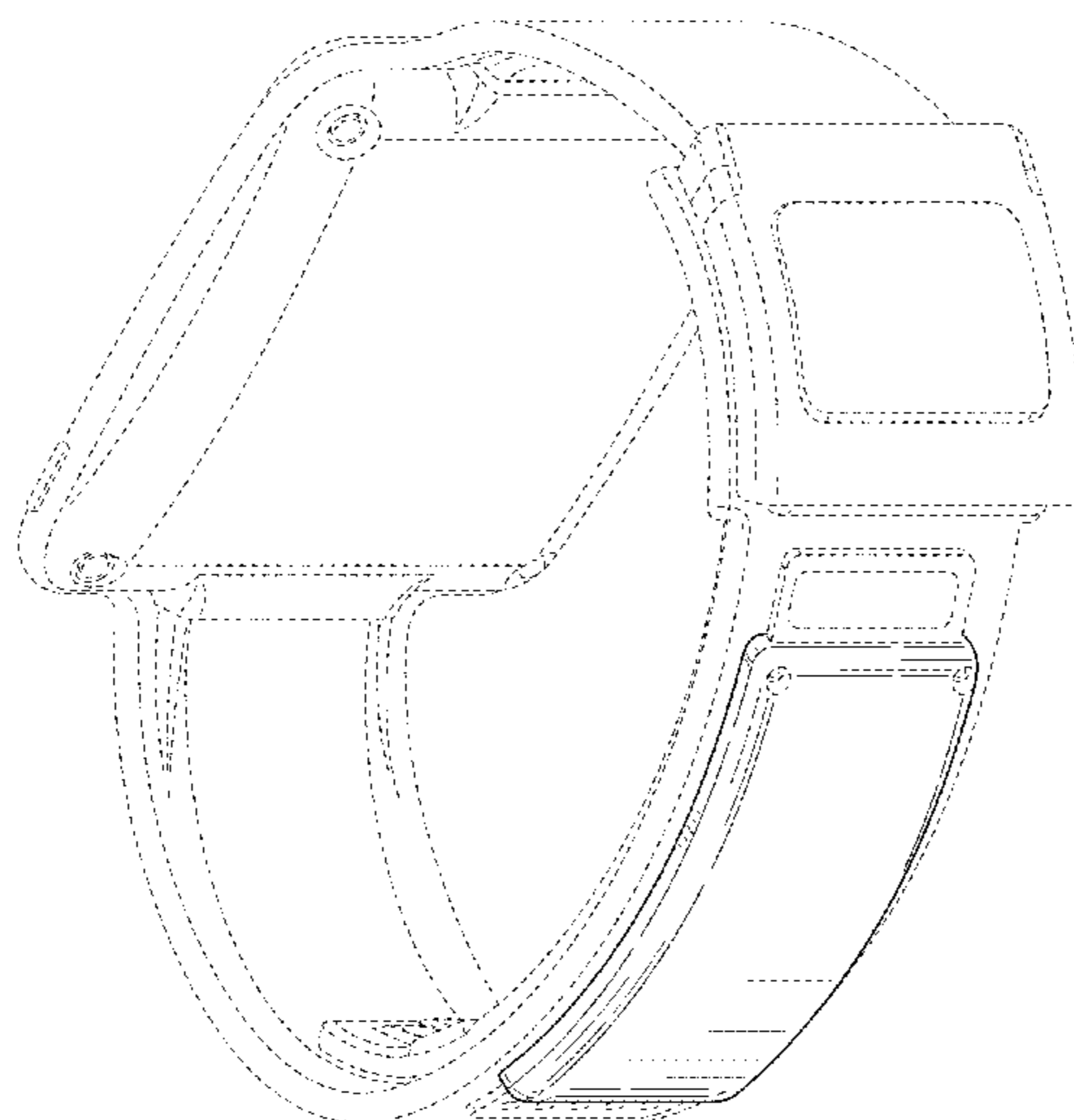
Any views of the electronic device that are not shown in the figures form no part of the claimed design.

1 Claim, 7 Drawing Sheets

(56) **References Cited**

U.S. PATENT DOCUMENTS

D299,718 S *	2/1989	Steer et al.	D14/247
D305,422 S *	1/1990	Steer et al.	D14/247
D331,020 S *	11/1992	Ishii et al.	D10/31
D455,093 S *	4/2002	Fitzgerald	D10/98
D528,439 S *	9/2006	Burton	D10/32
D528,928 S *	9/2006	Burton	D10/38



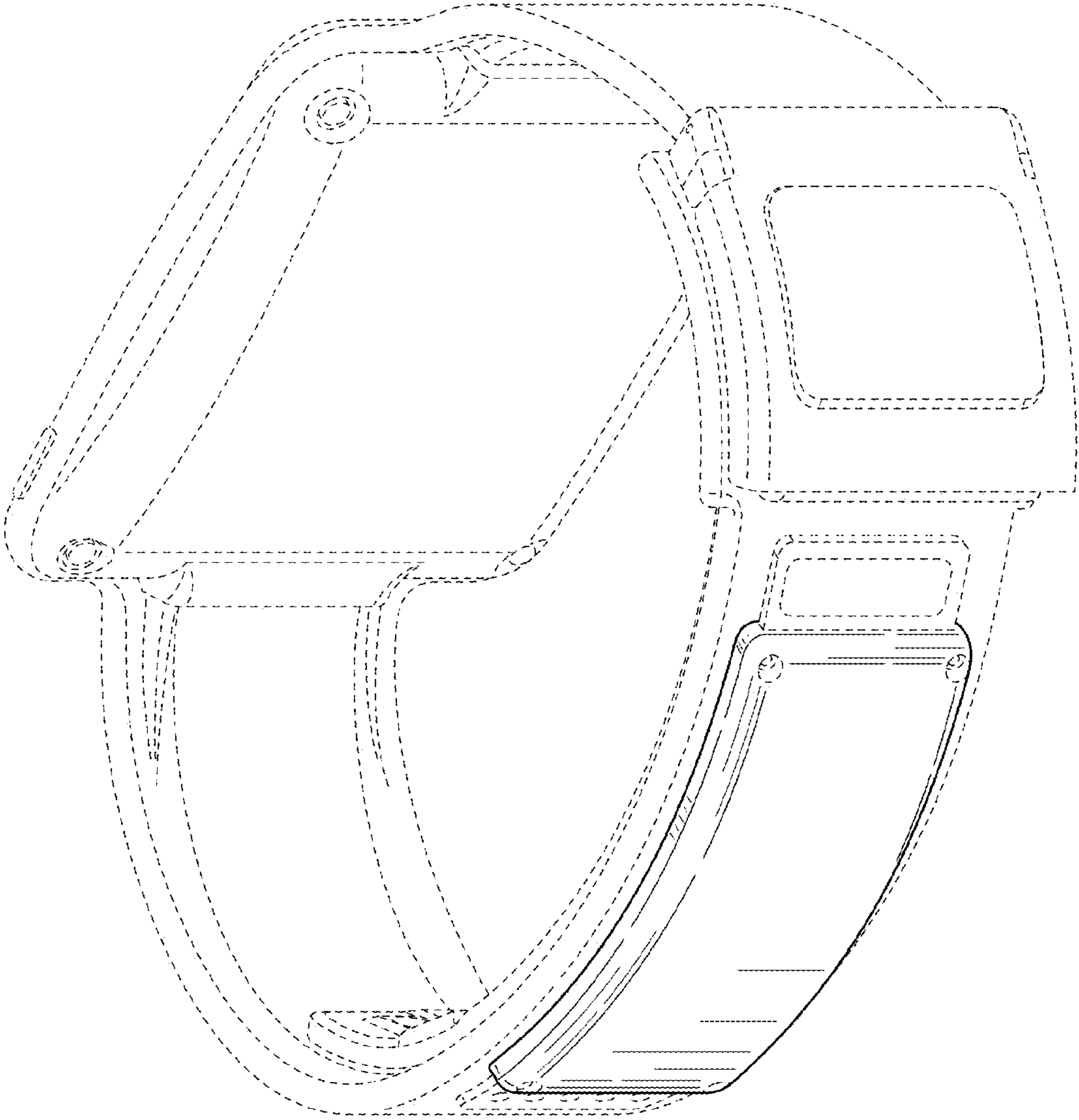


FIG. 1

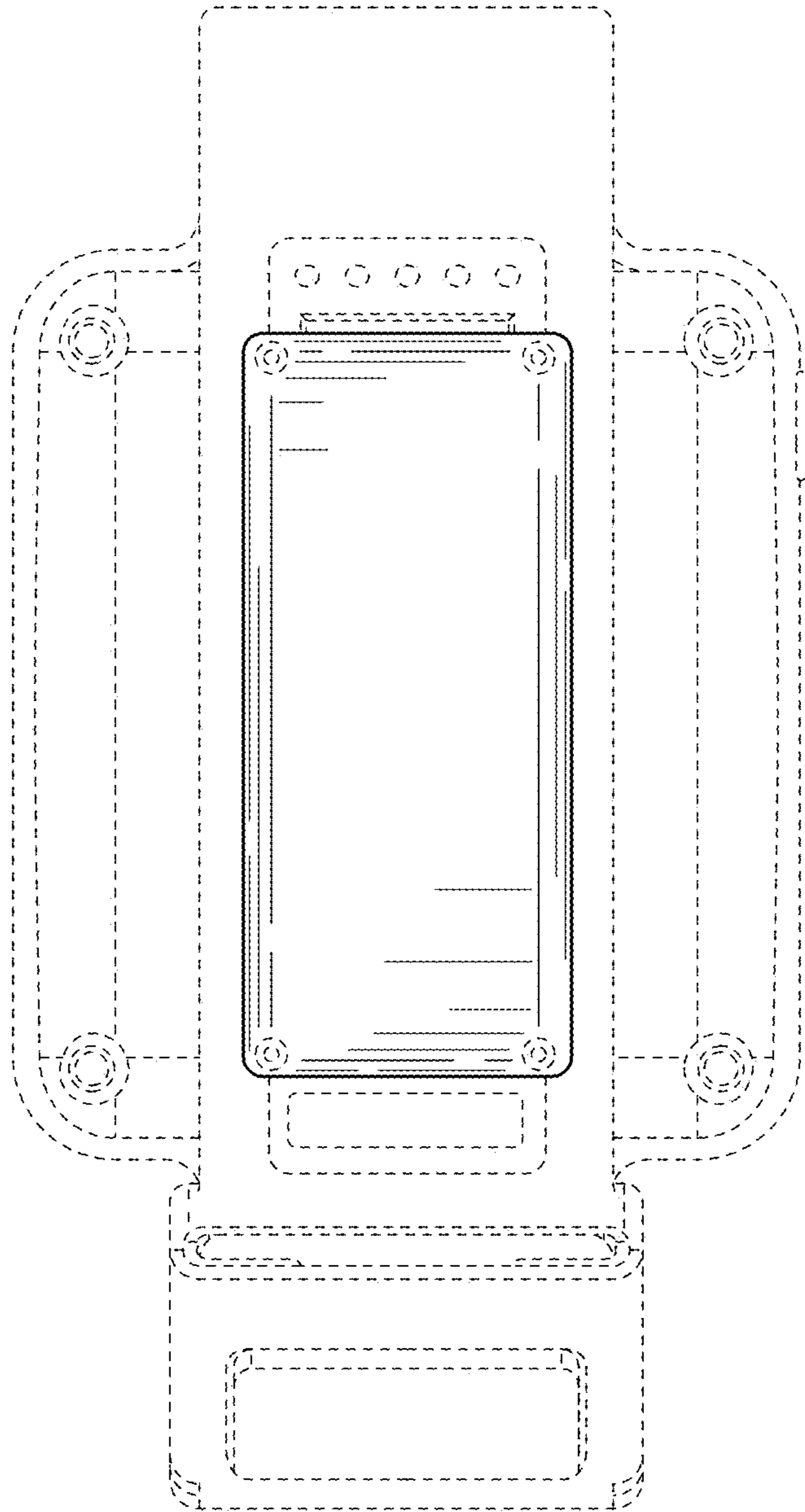


FIG. 2

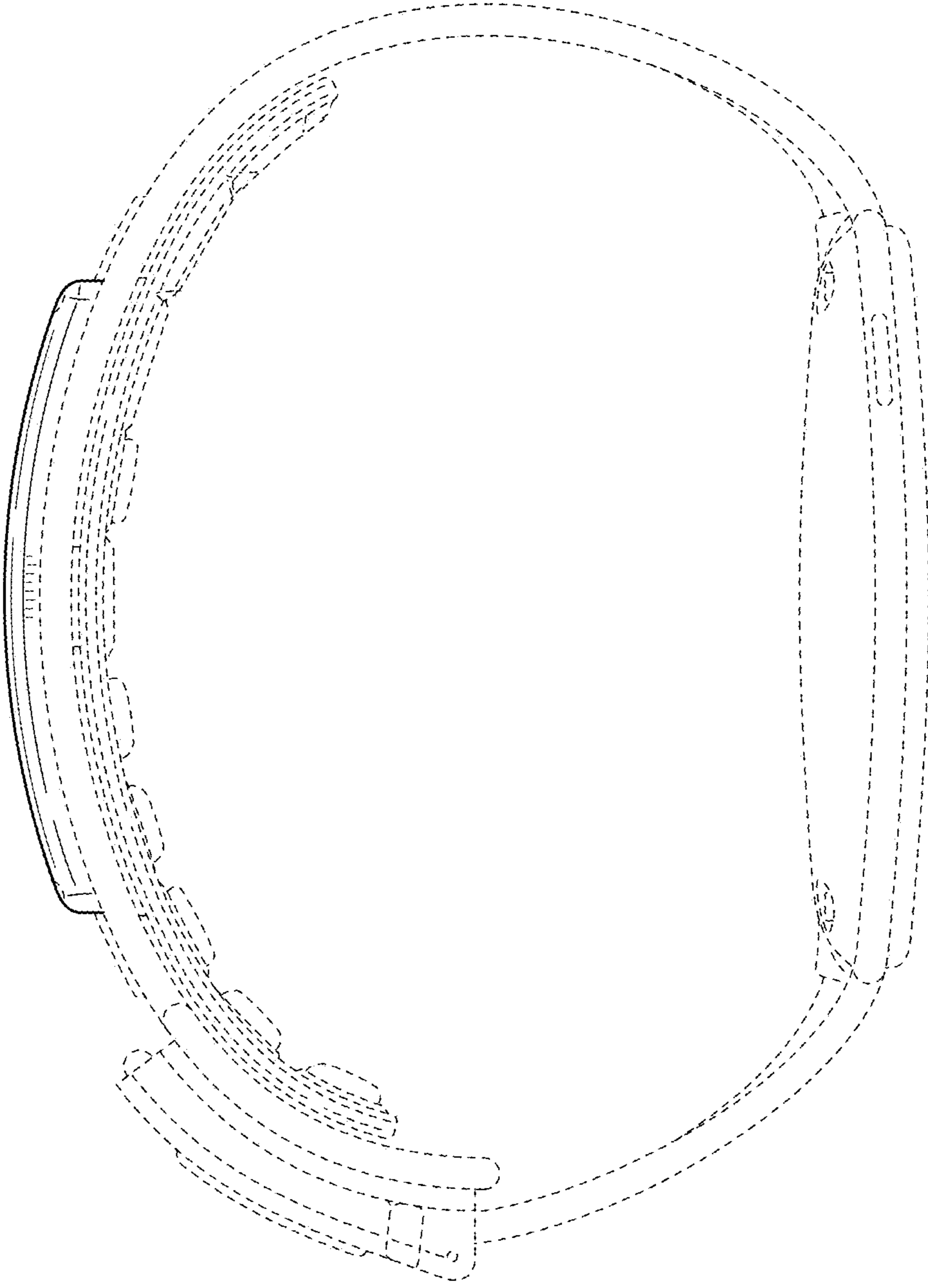


FIG. 3

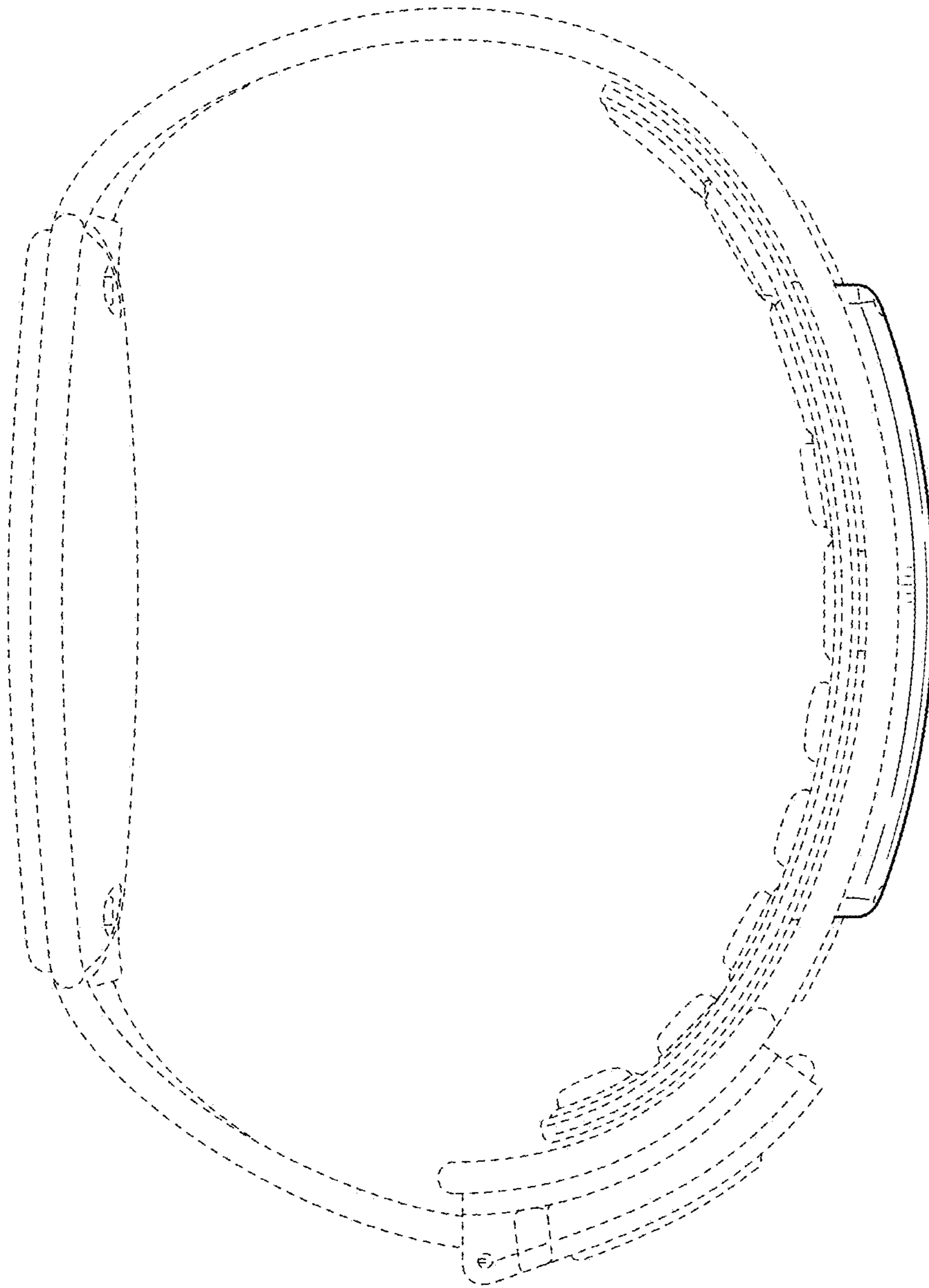


FIG. 4

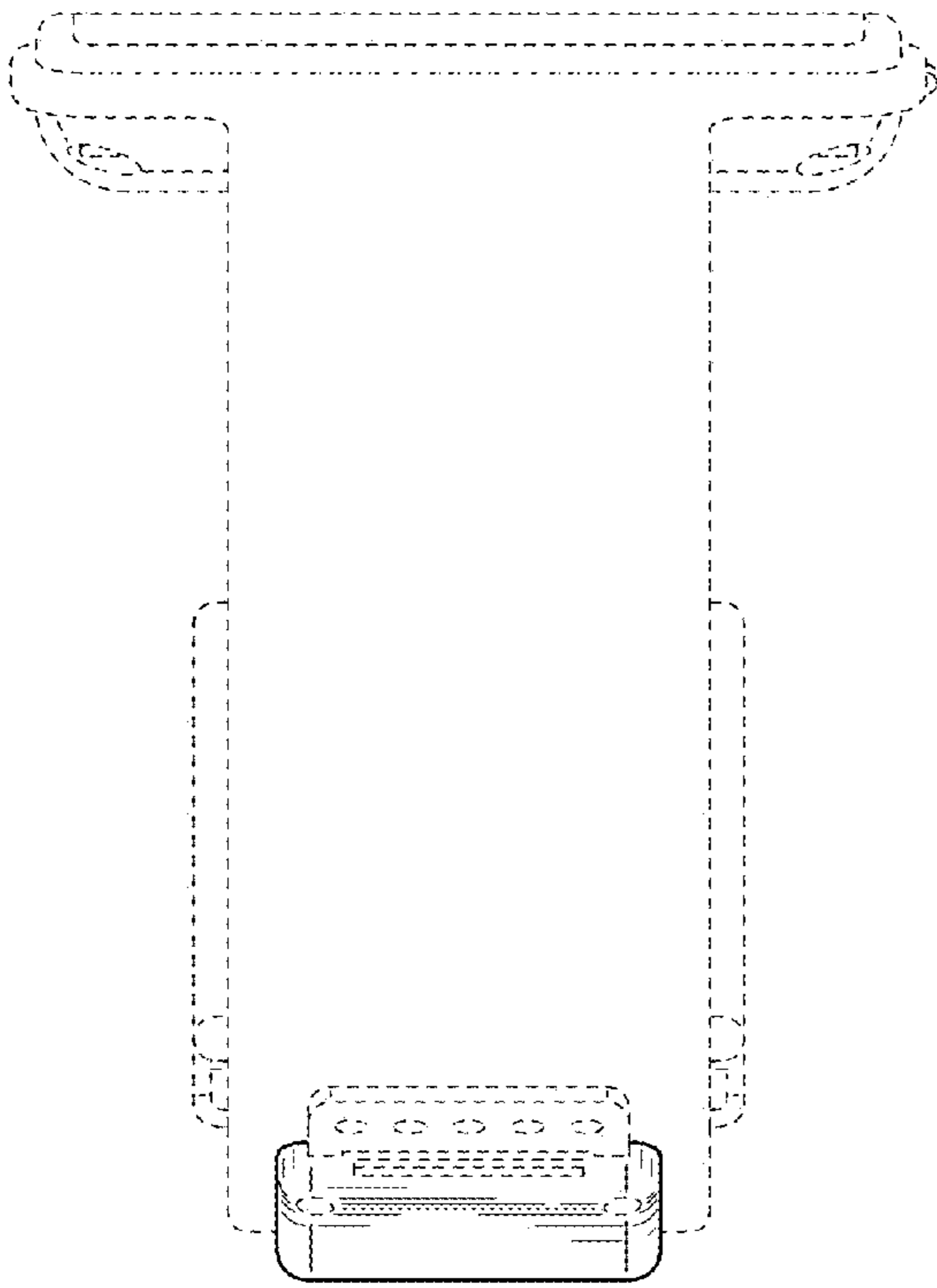


FIG. 5

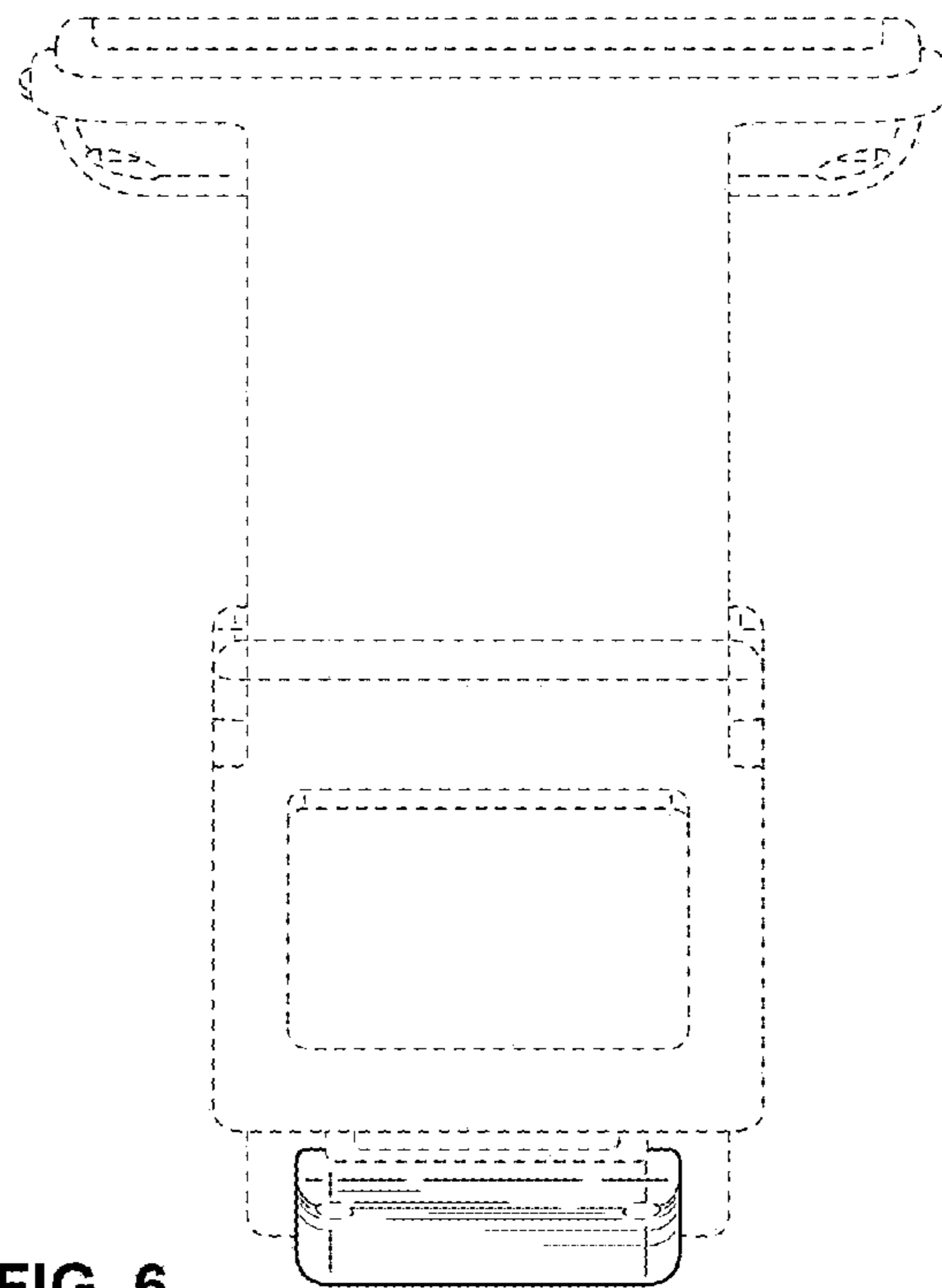


FIG. 6

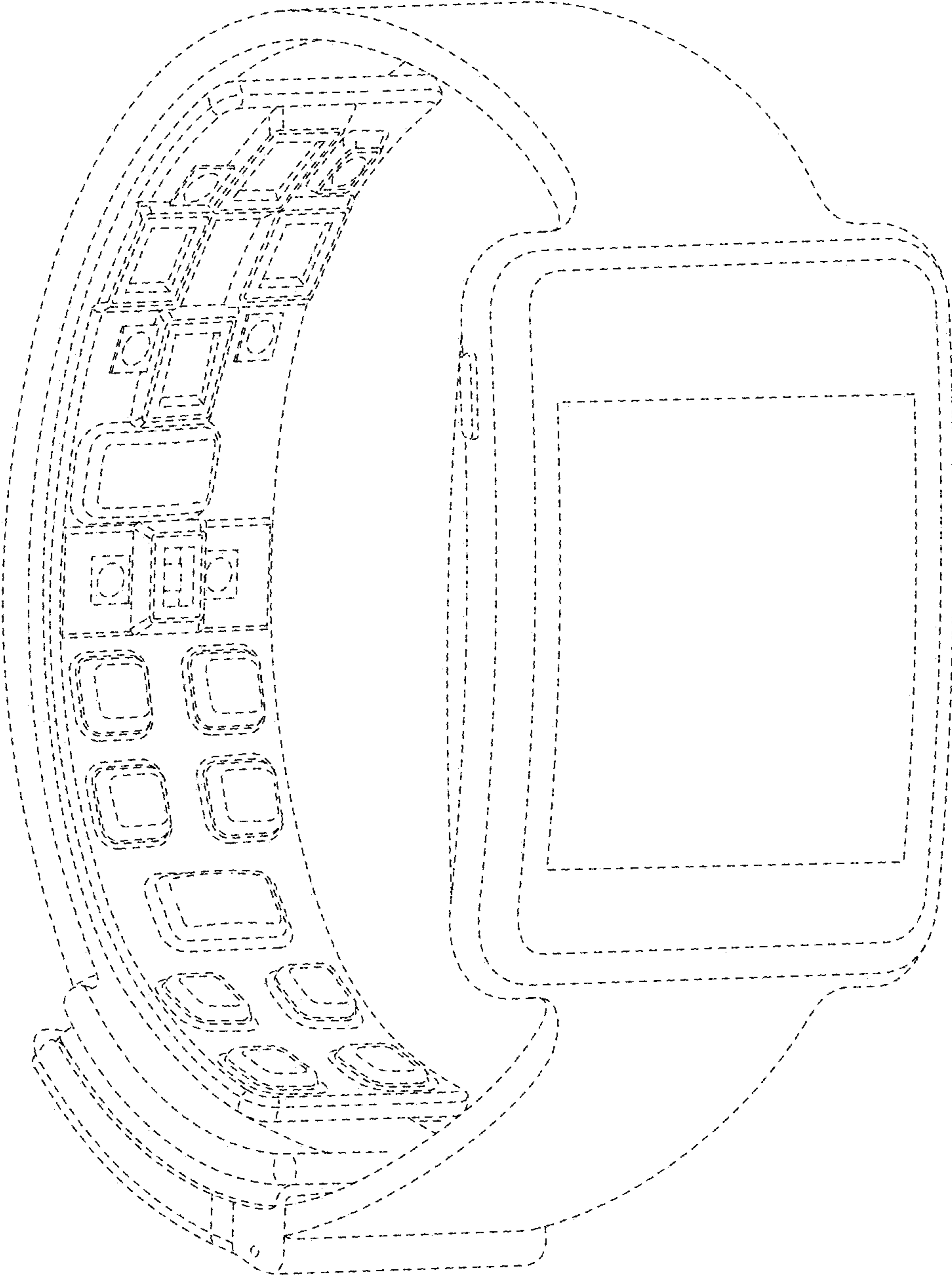


FIG. 7

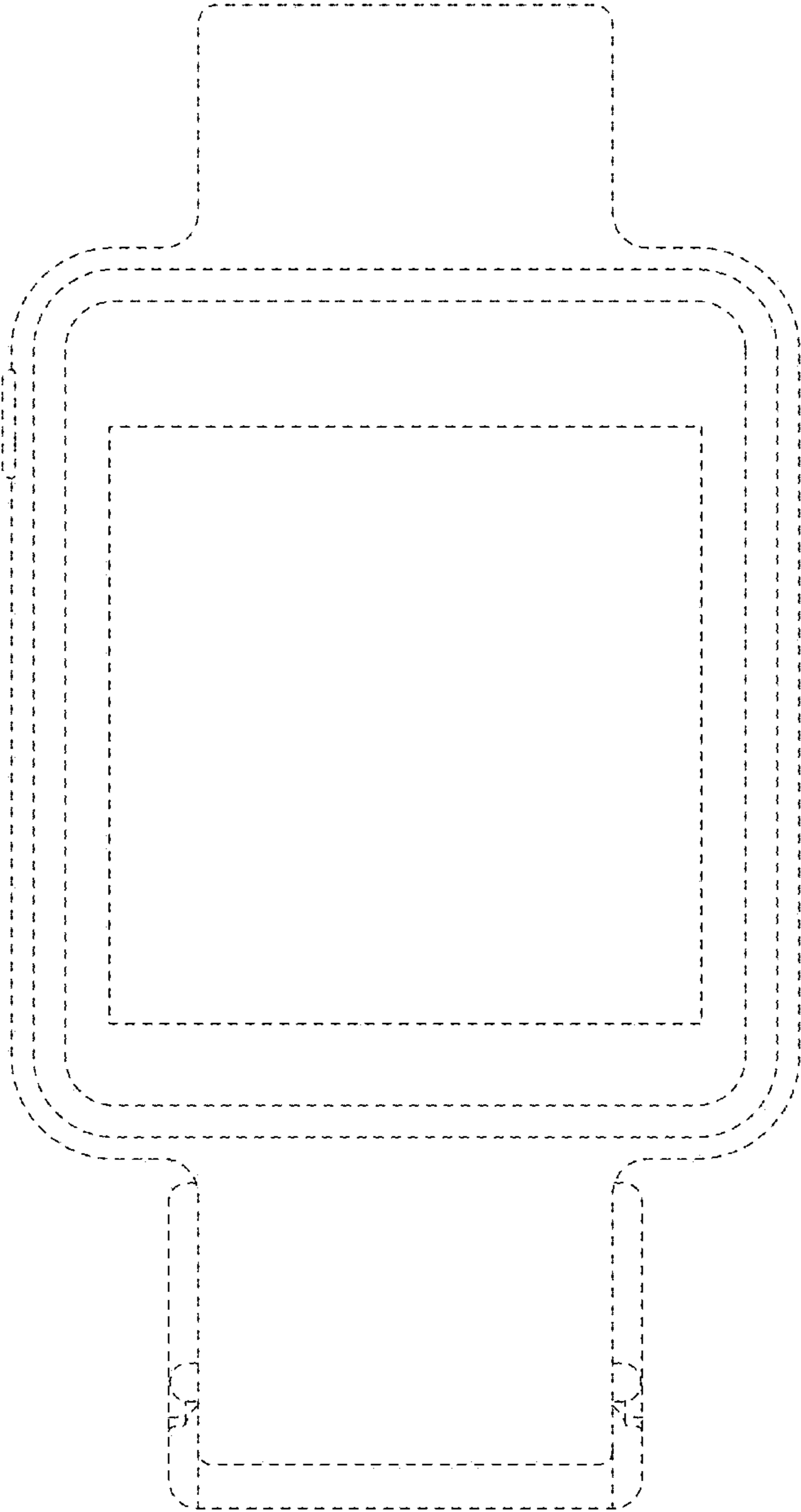


FIG. 8