



US00D729084S

(12) **United States Design Patent**  
**Tomita et al.**

(10) **Patent No.:** **US D729,084 S**

(45) **Date of Patent:** **\*\* May 12, 2015**

(54) **PRESSURE SENSOR**

(71) Applicant: **Fujikura Ltd.**, Koto-ku, Tokyo (JP)

(72) Inventors: **Michikazu Tomita**, Sakura (JP); **Yuki Suto**, Sakura (JP)

(73) Assignee: **Fujikura Ltd.**, Tokyo (JP)

(\*\*) Term: **14 Years**

(21) Appl. No.: **29/500,058**

(22) Filed: **Aug. 21, 2014**

(30) **Foreign Application Priority Data**

Feb. 28, 2014 (JP) ..... 2014-004304

(51) **LOC (10) Cl.** ..... **10-04**

(52) **U.S. Cl.**

USPC ..... **D10/85**

(58) **Field of Classification Search**

CPC B60C 23/0408; B60C 23/0494; G01L 7/043;  
G01L 7/00-7/24; G01L 13/00-13/06; G01L  
15/00; G01L 17/00-17/005; G01L  
19/00-19/16; G01L 23/00-23/32; G01L  
27/00-23/02

USPC ..... D10/83-85

See application file for complete search history.

(56) **References Cited**

U.S. PATENT DOCUMENTS

2012/0204652 A1\* 8/2012 Ho et al. .... 73/724

\* cited by examiner

*Primary Examiner* — Antoine D Davis

(74) *Attorney, Agent, or Firm* — Sughrue Mion, PLLC

(57) **CLAIM**

The ornamental design for a pressure sensor, as shown and described.

**DESCRIPTION**

FIG. 1 is a top perspective view of a pressure sensor.

FIG. 2 is a bottom perspective view thereof.

FIG. 3 is a front elevation view thereof.

FIG. 4 is a rear elevation view thereof.

FIG. 5 is a top plan view thereof.

FIG. 6 is a bottom plan view thereof.

FIG. 7 is a left side elevation view thereof.

FIG. 8 is a right side elevation view thereof.

FIG. 9 is a bottom perspective view showing only the part for which design registration is sought; and,

FIG. 10 is a bottom plan view showing only the part for which design registration is sought.

The portions of the pressure sensor shown in broken lines are for the purpose of showing environmental structure only and form no part of the claimed design.

**1 Claim, 10 Drawing Sheets**

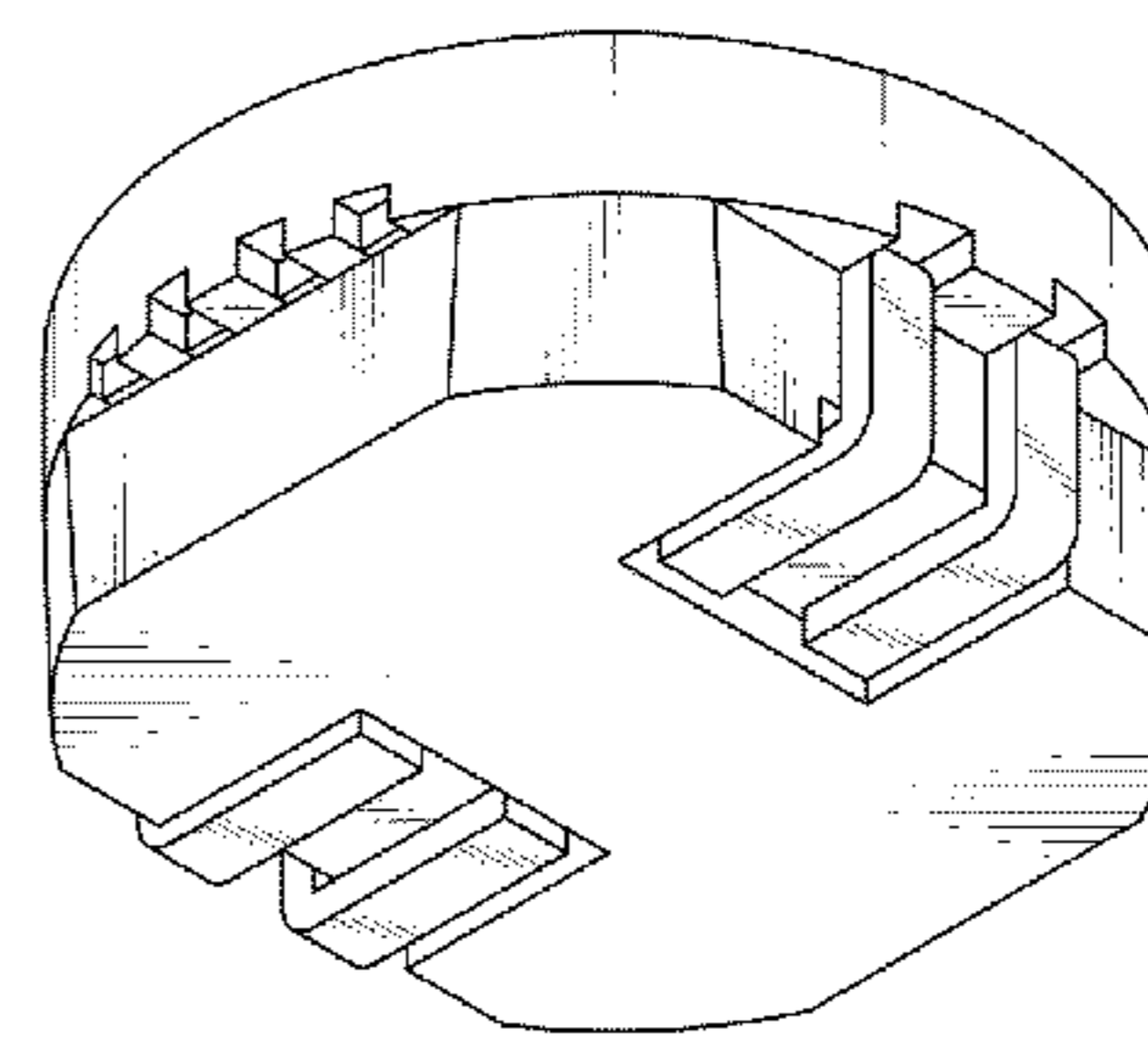
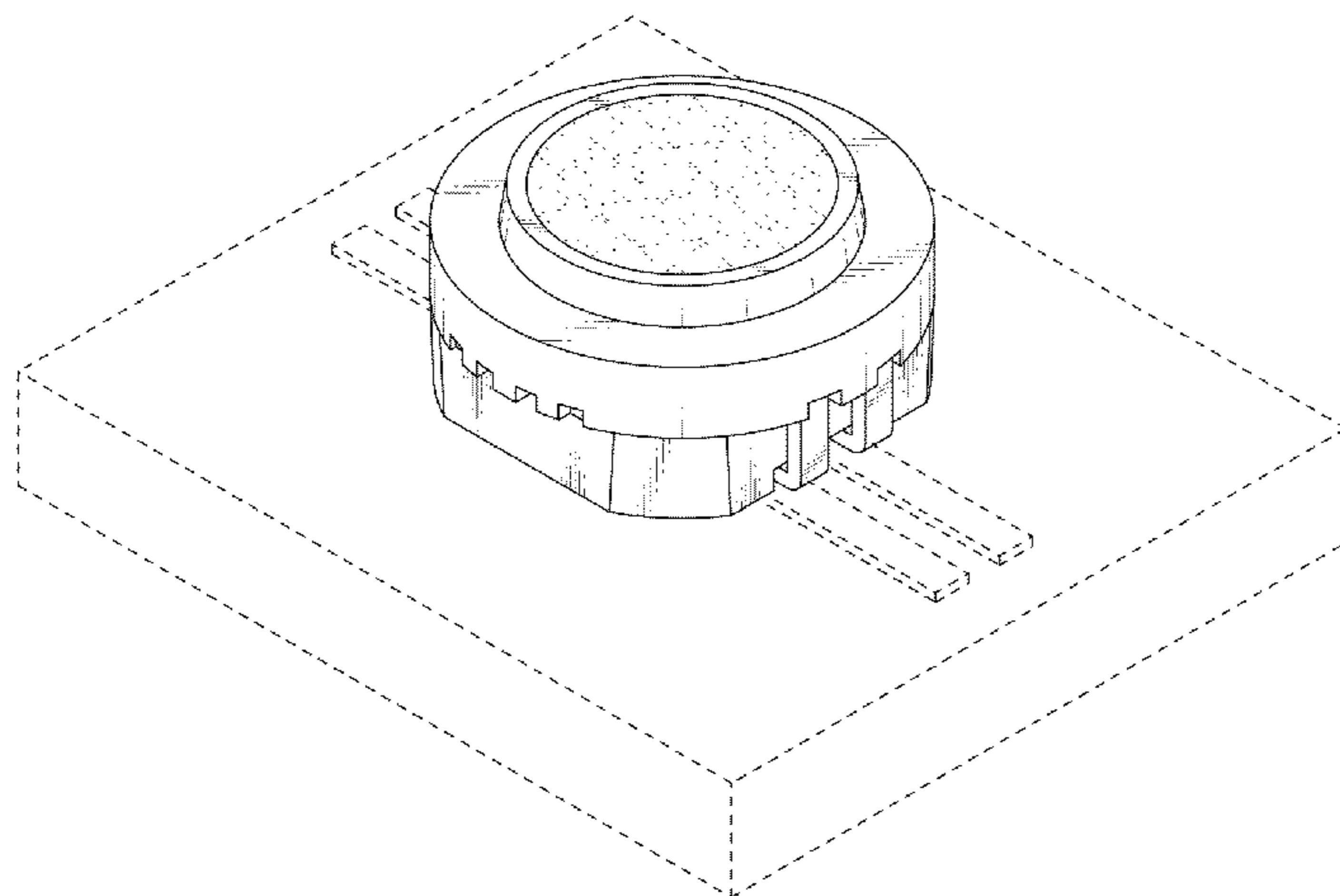


FIG. 1

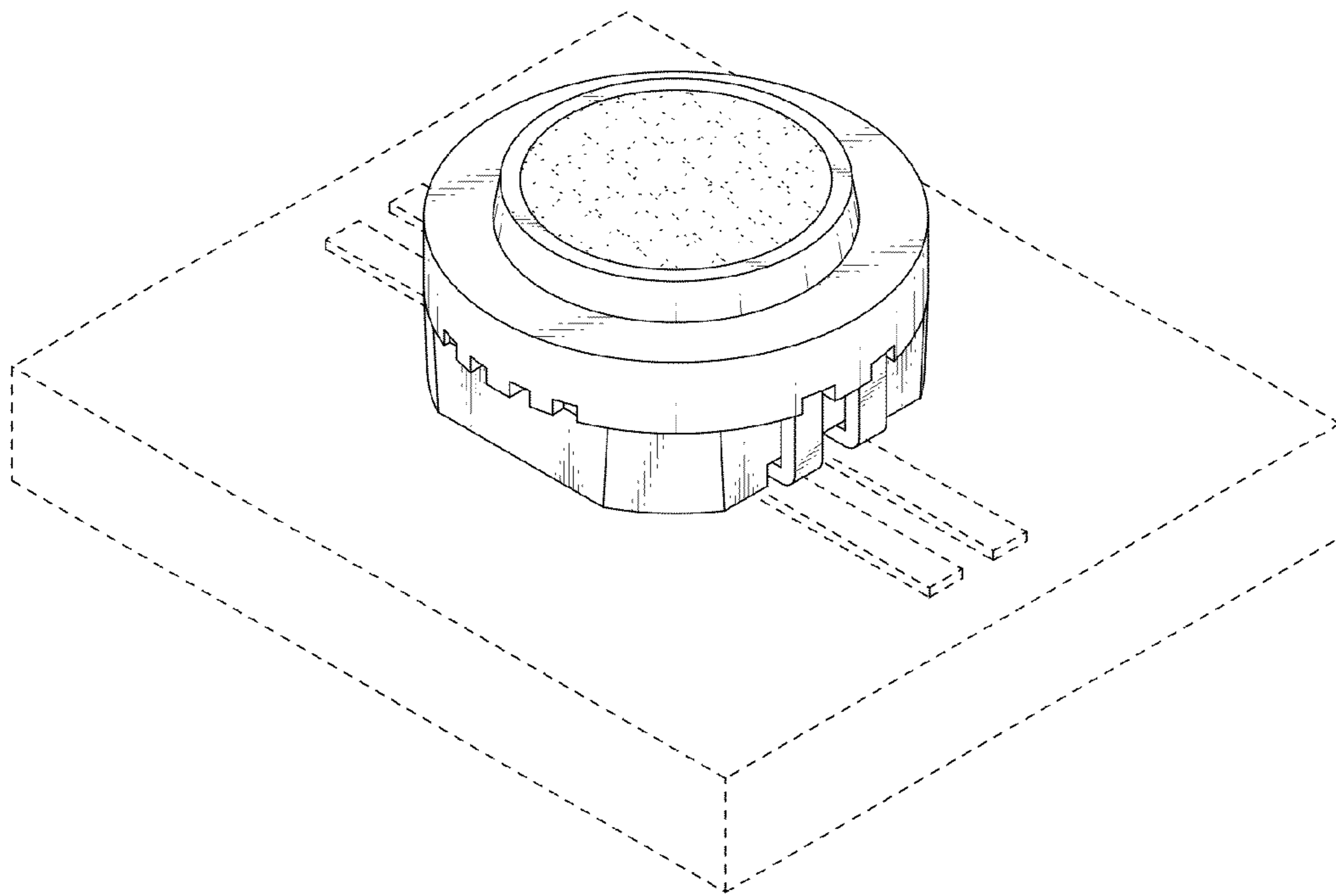


FIG. 2

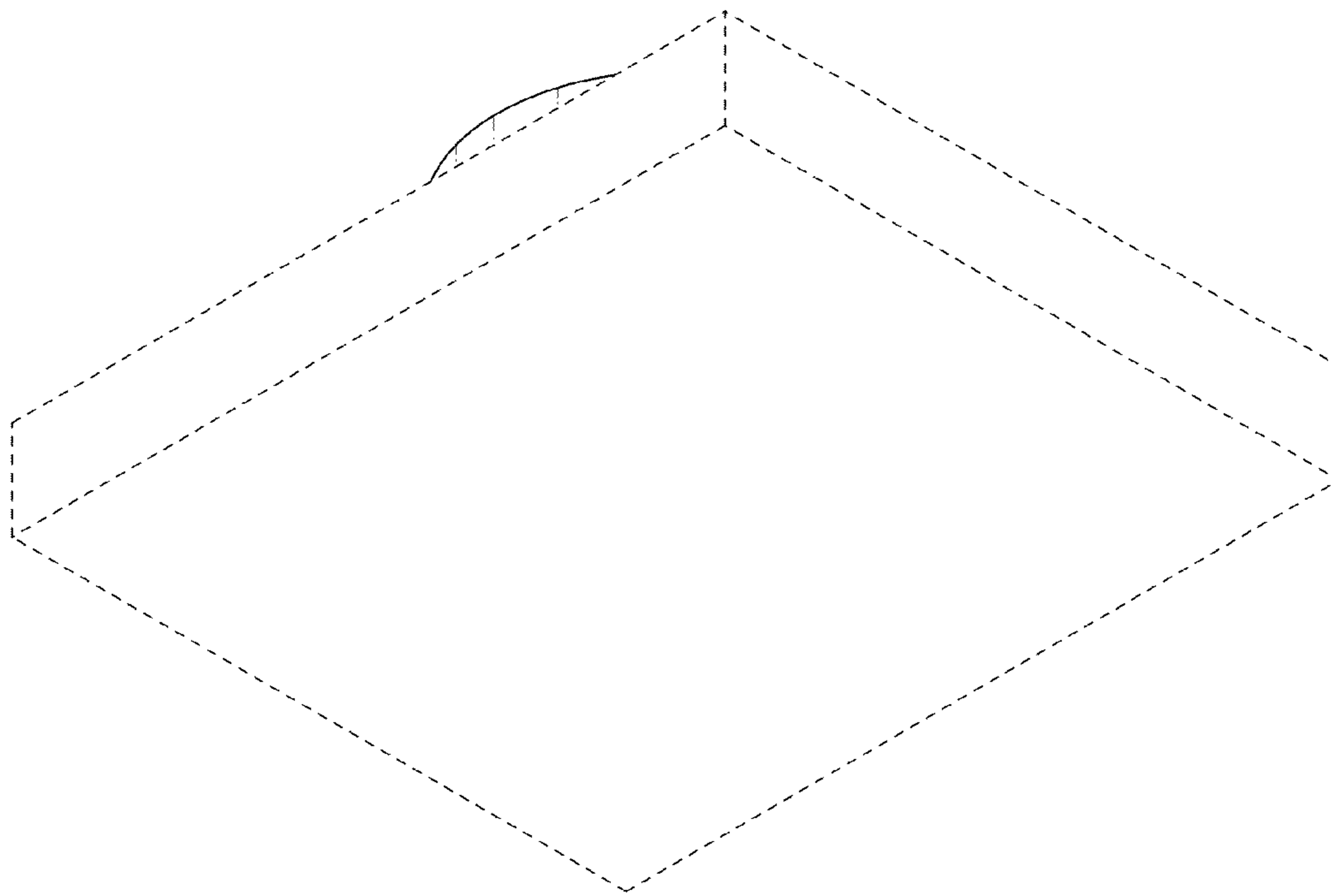


FIG. 3

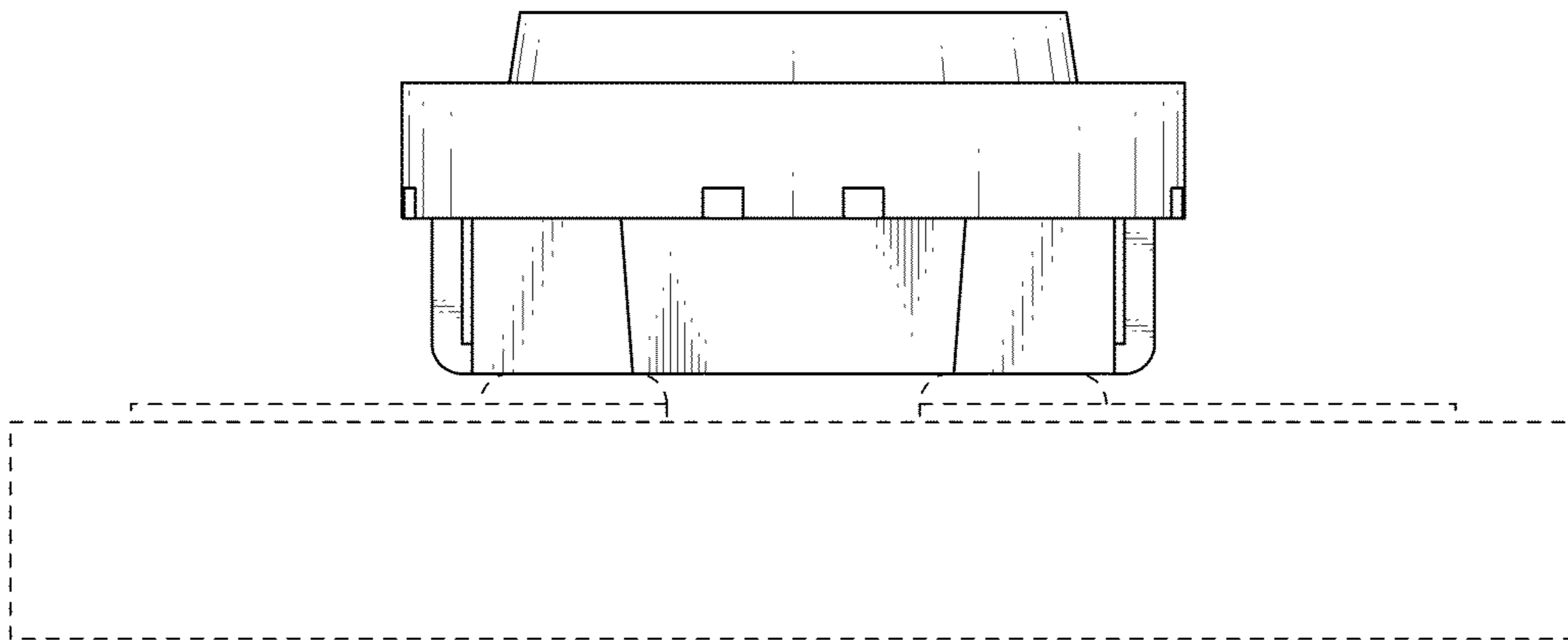


FIG. 4

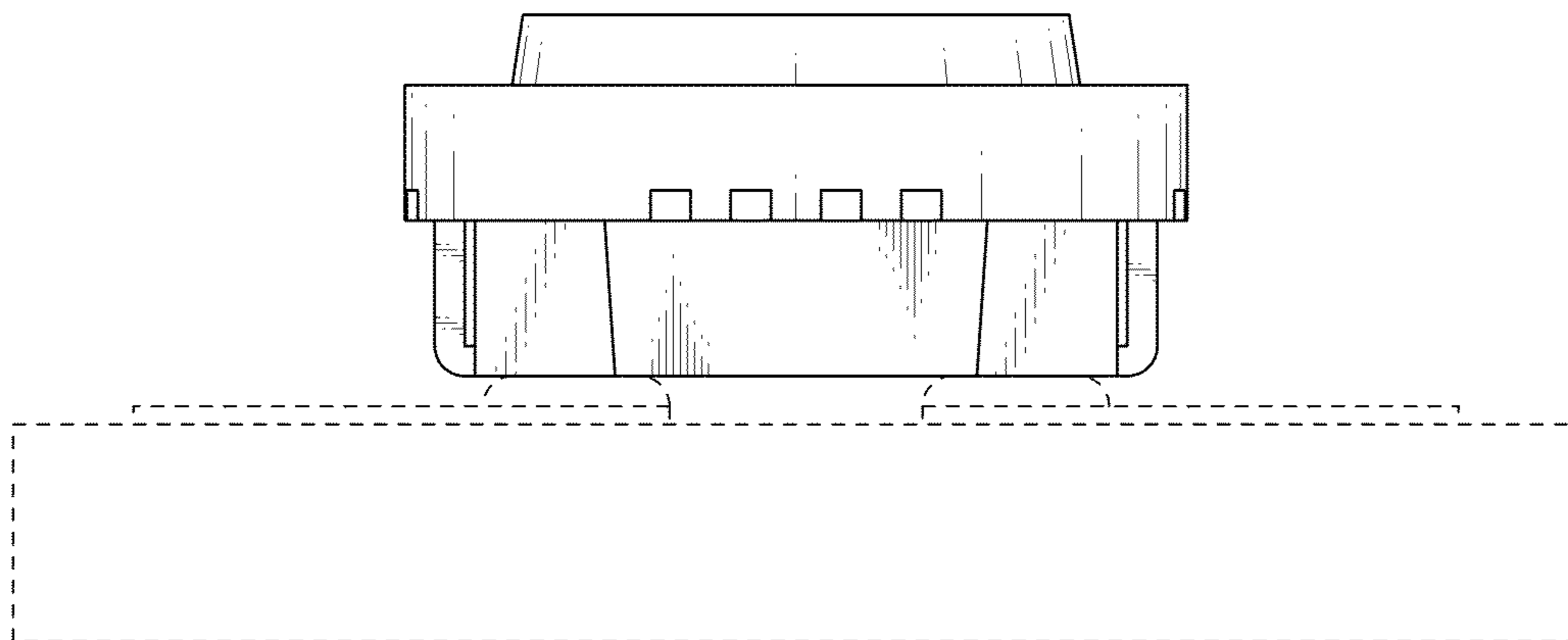
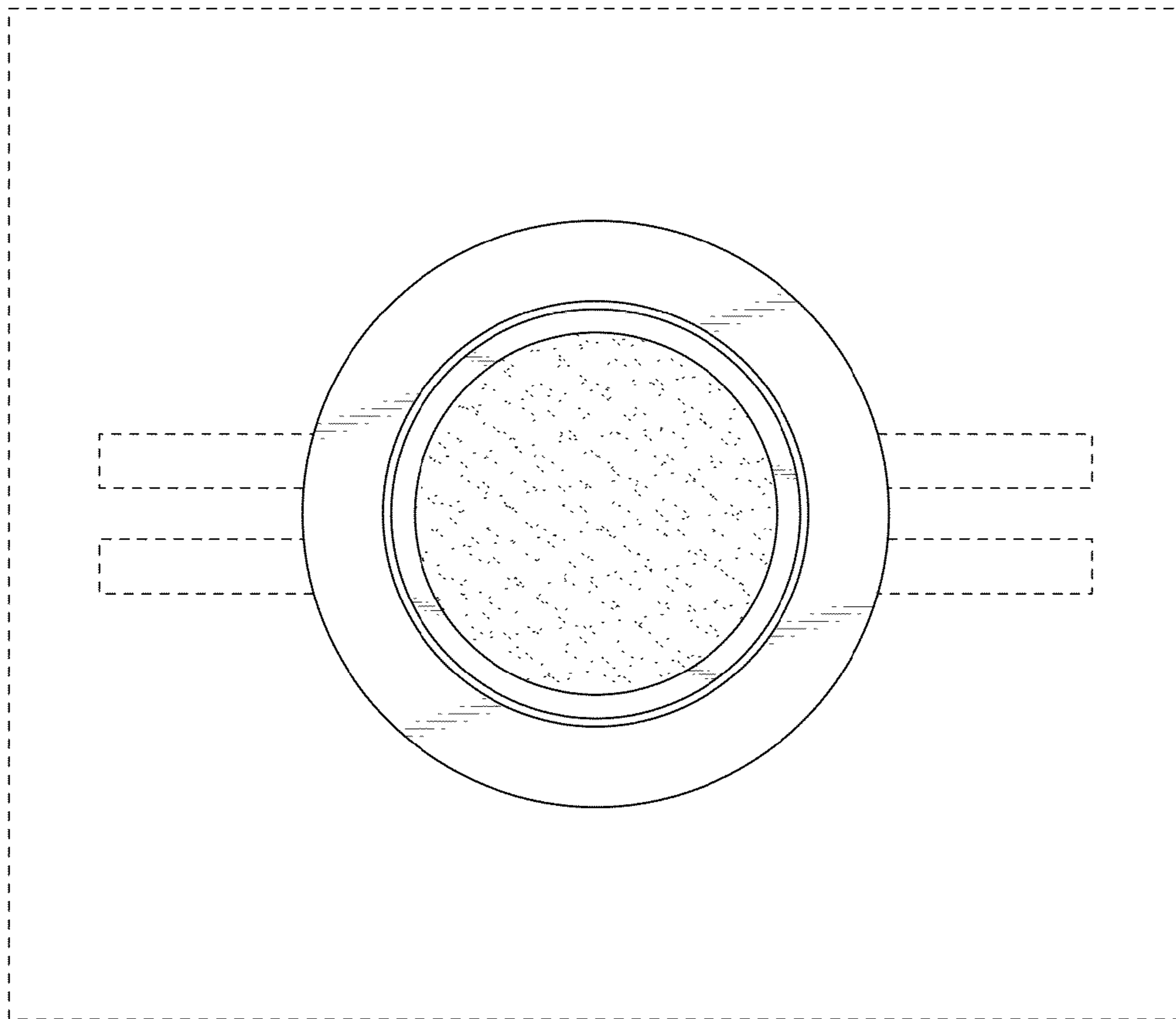


FIG. 5



**FIG. 6**



FIG. 7

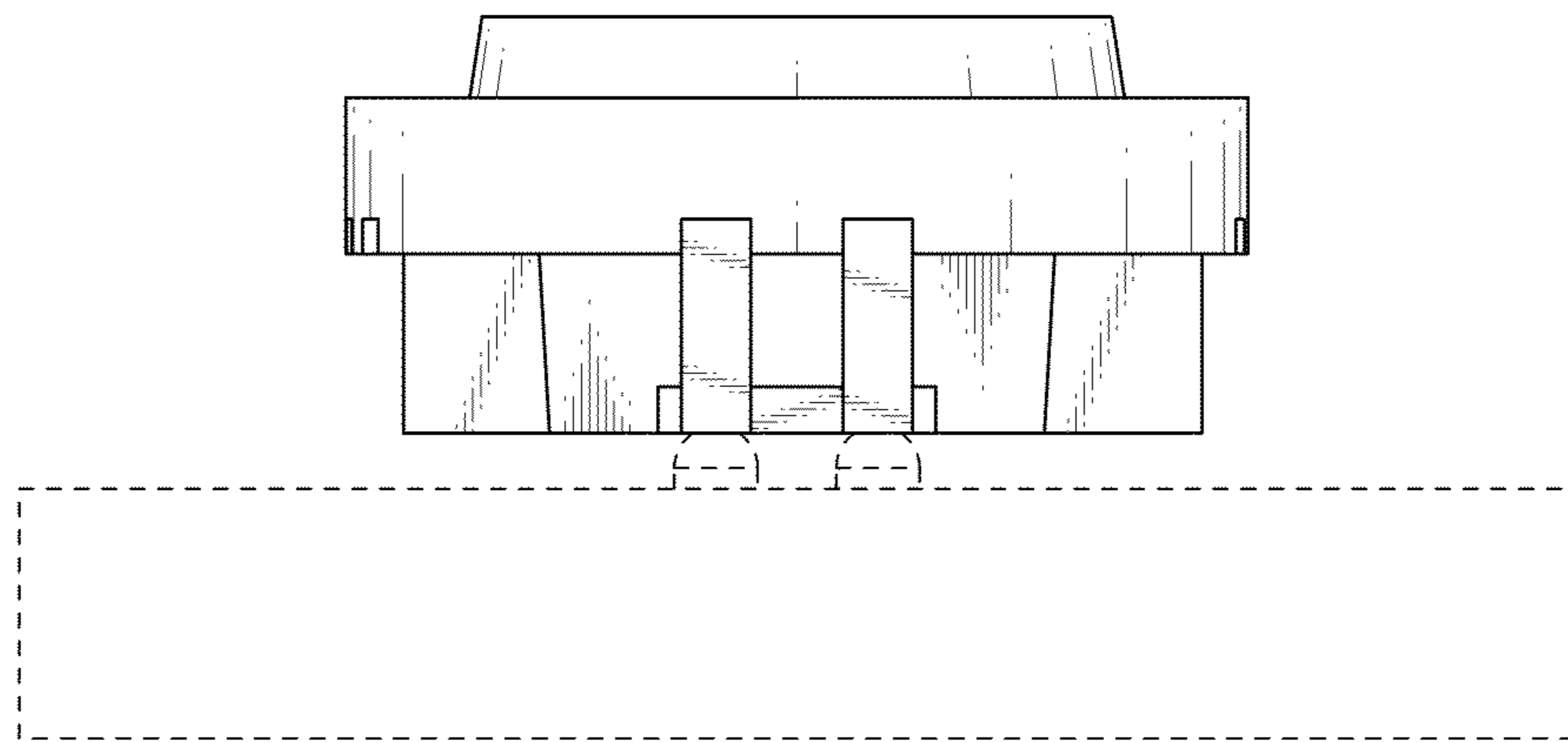




FIG. 8

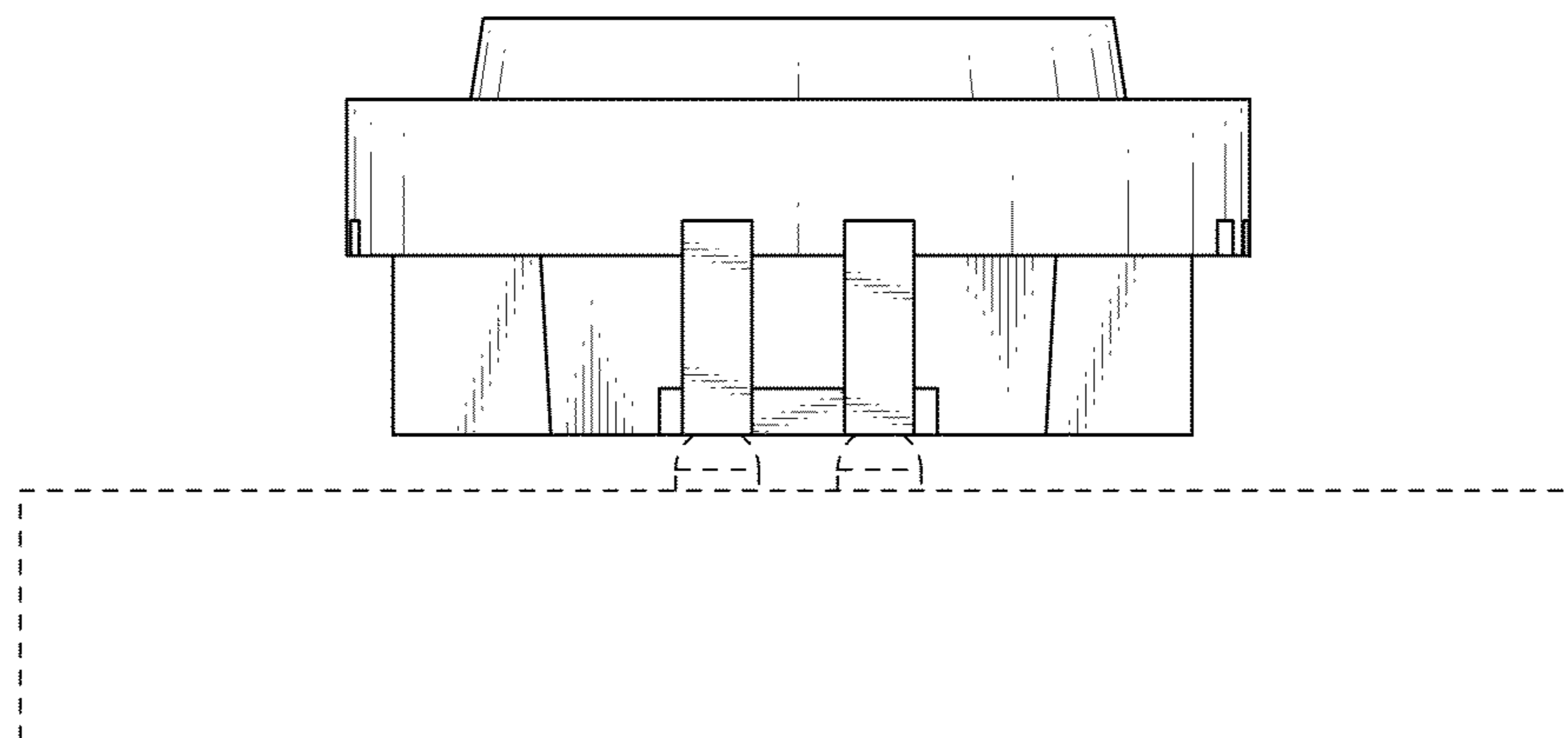


FIG. 9

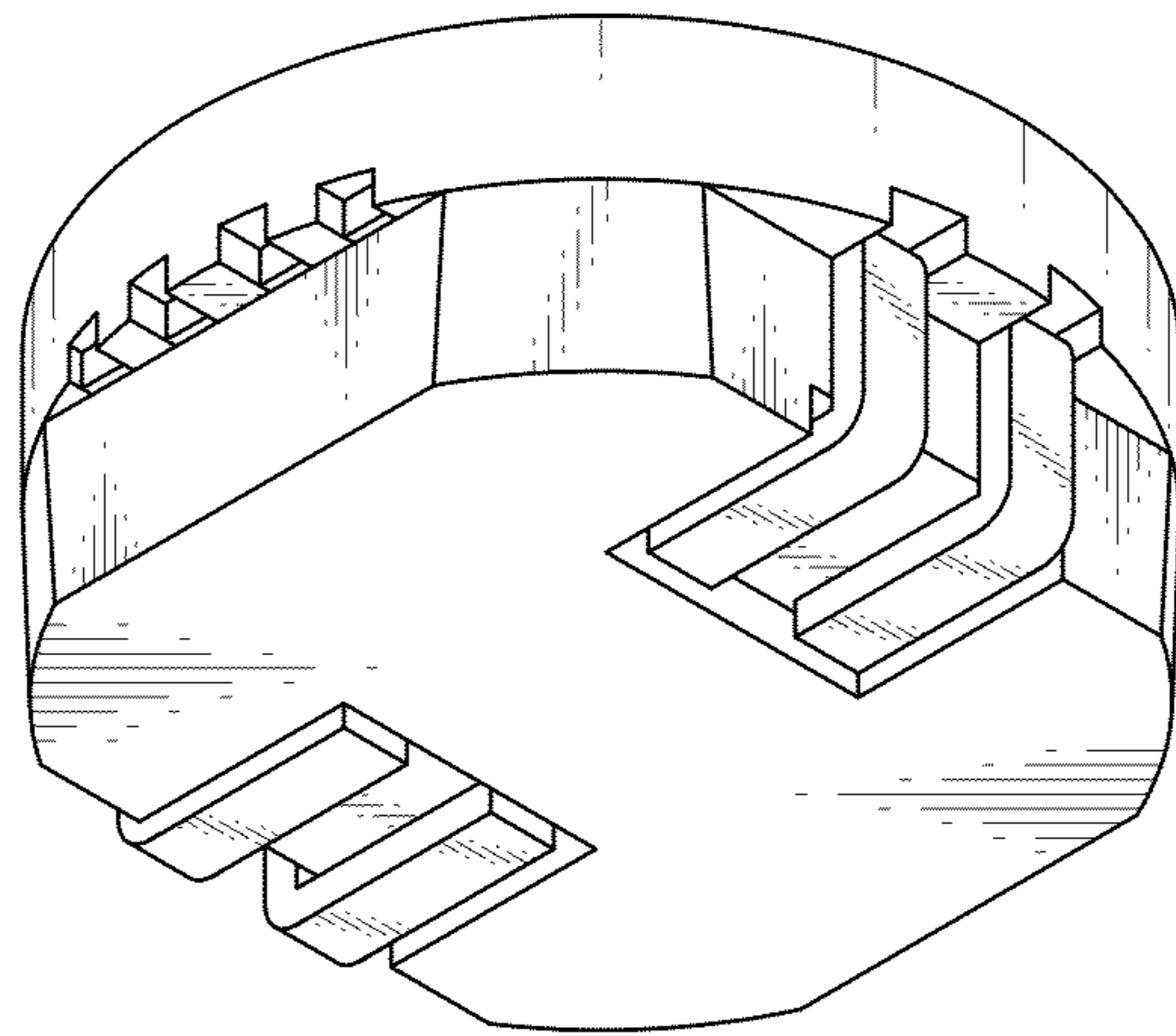


FIG. 10

