



US00D729083S

(12) **United States Design Patent**
Kobayashi et al.

(10) **Patent No.:** **US D729,083 S**
(45) **Date of Patent:** **** May 12, 2015**

(54) **CYTOMETER**

(71) Applicant: **Yokogawa Electric Corporation**,
Musashino-shi, Tokyo (JP)

(72) Inventors: **Jun Kobayashi**, Musashino (JP); **Naoto Takano**, Musashino (JP); **Hirokazu Miyamae**, Musashino (JP); **Youhei Tsubouchi**, Musashino (JP)

(73) Assignee: **Yokogawa Electric Corporation**, Tokyo (JP)

(**) Term: **14 Years**

(21) Appl. No.: **29/488,764**

(22) Filed: **Apr. 23, 2014**

(30) **Foreign Application Priority Data**

Nov. 20, 2013 (JP) 2013-027136

(51) **LOC (10) Cl.** **10-04**

(52) **U.S. Cl.**
USPC **D10/81; D24/216**

(58) **Field of Classification Search**
USPC D10/96, 99-100, 102; 324/74, 142;
340/870.02; 702/61, 62; 709/217, 224,
709/225

See application file for complete search history.

(56) **References Cited**

U.S. PATENT DOCUMENTS

6,642,018 B1 * 11/2003 Koller et al. 435/40.5
D588,276 S * 3/2009 Isozaki et al. D24/232
D591,864 S * 5/2009 Schmidt D24/216
D600,578 S * 9/2009 Tsuji D10/81
D637,930 S * 5/2011 Kimura et al. D10/81

D676,976 S * 2/2013 Walsh et al. D24/216
D681,232 S * 4/2013 Benarieh et al. D24/232
D681,234 S * 4/2013 Benarieh et al. D24/233
D685,499 S * 7/2013 Kimura et al. D24/232
D691,280 S * 10/2013 Matoba et al. D24/216
D692,157 S * 10/2013 Matoba et al. D24/216
D707,844 S * 6/2014 Hilbey D24/216
D718,473 S * 11/2014 Benarieh et al. D24/232
2003/0020498 A1 * 1/2003 Kamata 324/719
2004/0219627 A1 * 11/2004 Kawashima 435/29
2008/0187951 A1 * 8/2008 Nagai et al. 435/29
2011/0076755 A1 * 3/2011 Ebi et al. 435/287.3
2011/0176934 A1 * 7/2011 Ebi et al. 417/44.1
2012/0224851 A1 * 9/2012 Takara et al. 398/45
2013/0224851 A1 * 8/2013 Ljungmann et al. 435/288.7
2013/0330248 A1 * 12/2013 Shioyama et al. 422/516
2014/0295450 A1 * 10/2014 Morita et al. 435/6.14

* cited by examiner

Primary Examiner — Antoine D Davis

(74) *Attorney, Agent, or Firm* — Sughrue Mion, PLLC

(57) **CLAIM**

The ornamental design for an cytometer, as shown and described.

DESCRIPTION

FIG. 1 is a perspective view of an cytometer showing our new design;

FIG. 2 is a front view thereof;

FIG. 3 is a rear view thereof;

FIG. 4 is a left side view thereof;

FIG. 5 is a right side view thereof;

FIG. 6 is a top view thereof;

FIG. 7 is a bottom view thereof; and,

FIG. 8 is a perspective view thereof in use.

The broken lines shown are included for the purpose of illustrating the unclaimed portions of the cytometer and form no part of the claimed design.

1 Claim, 5 Drawing Sheets

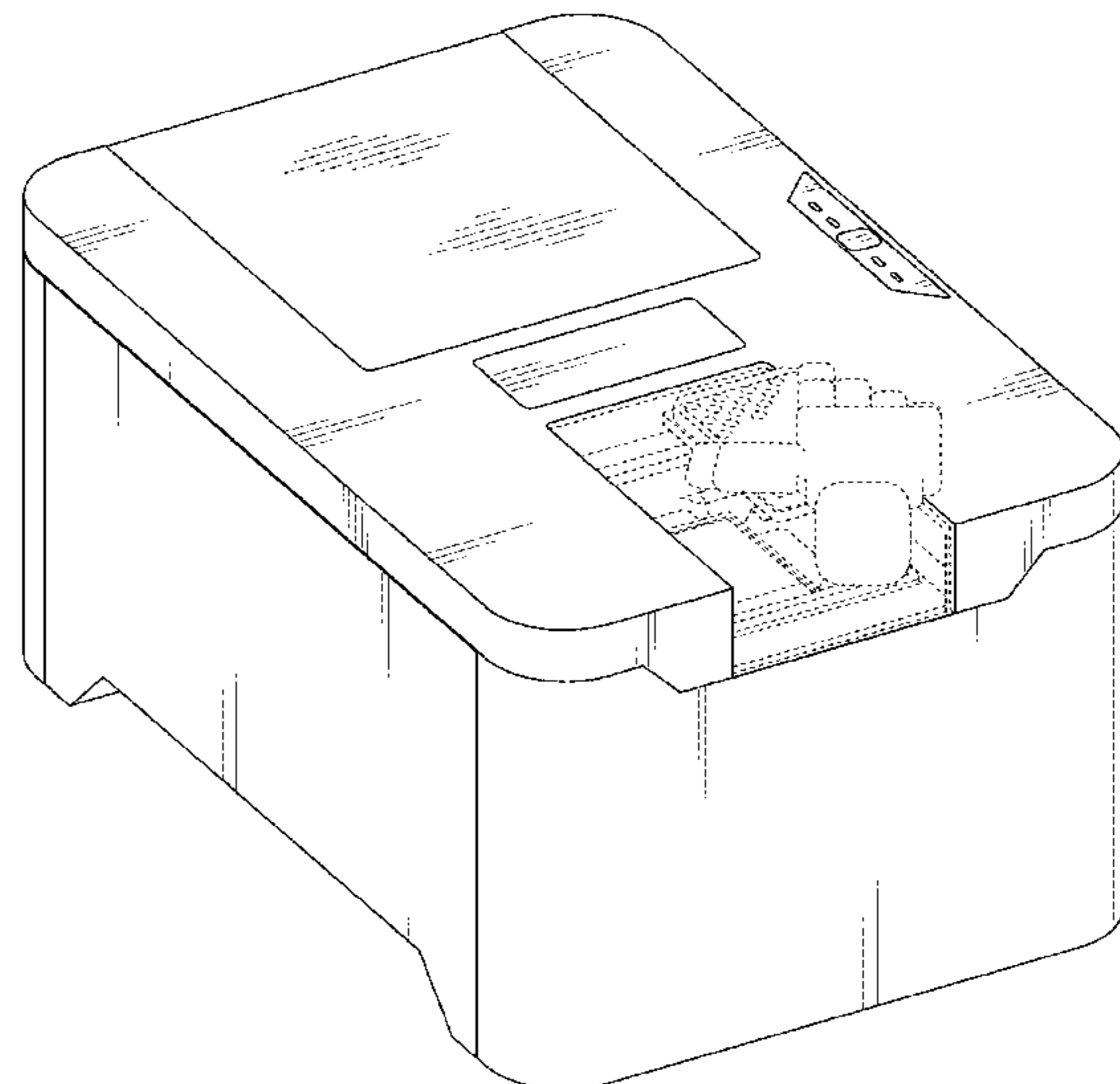
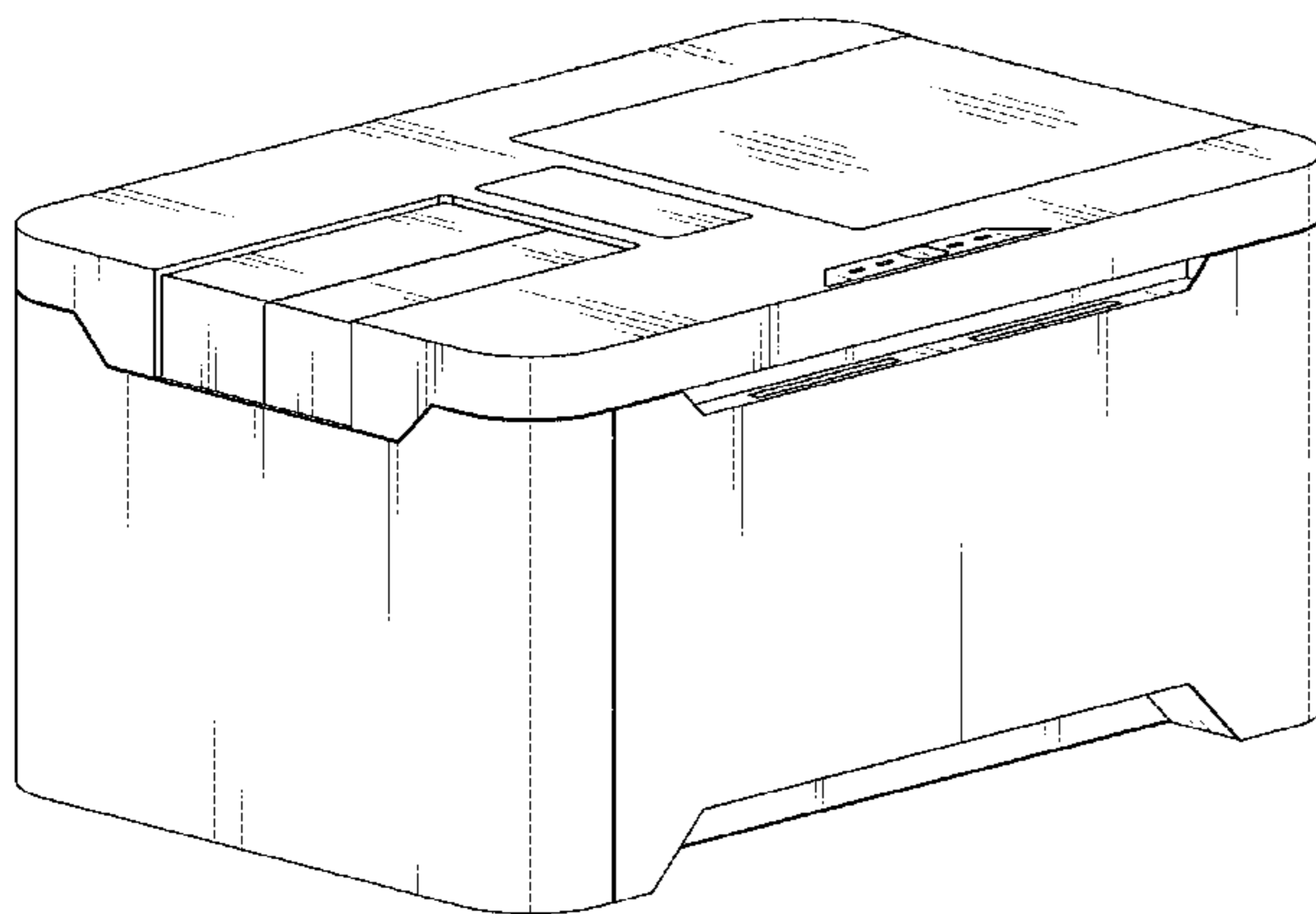


Fig. 1

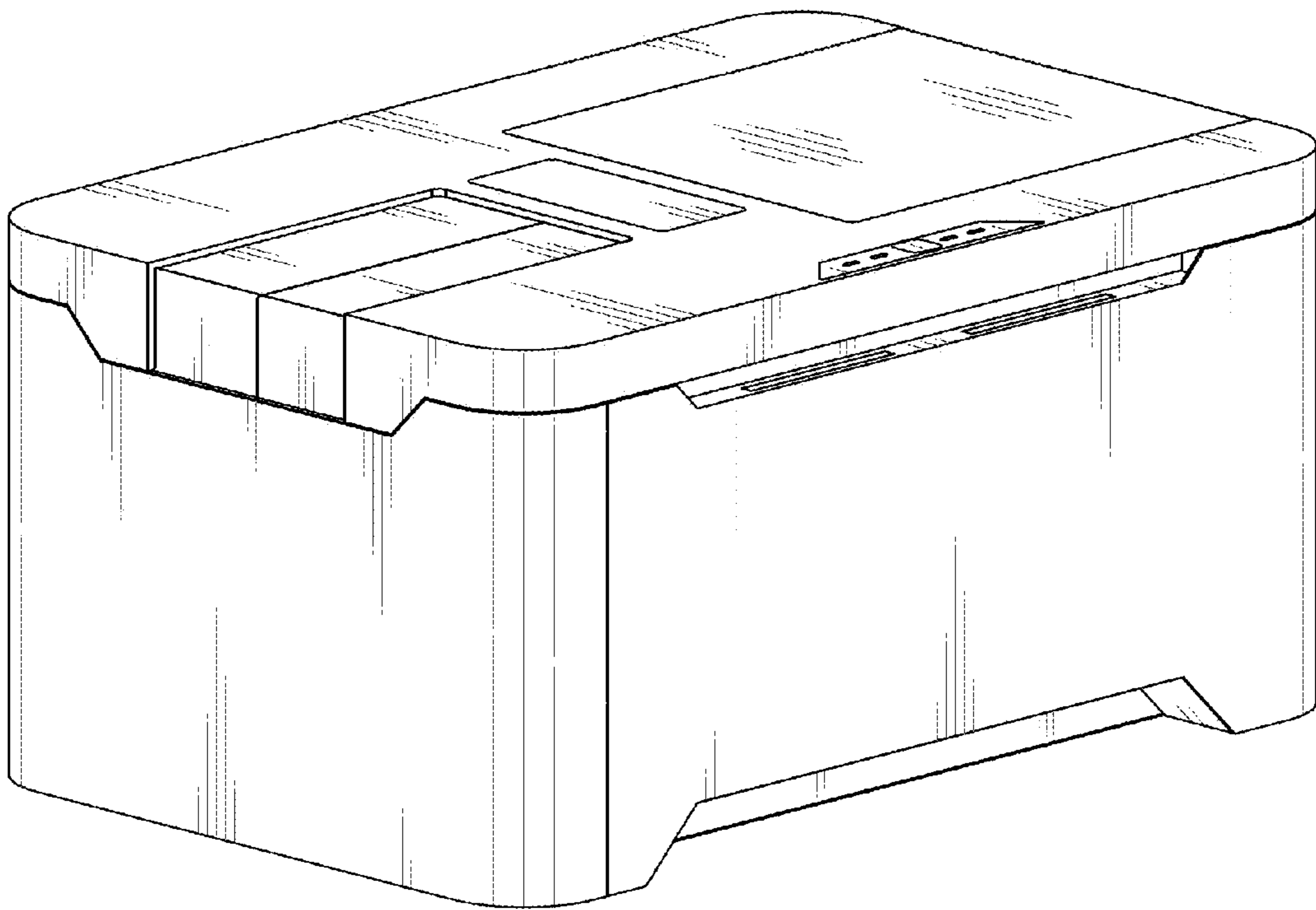


Fig. 2

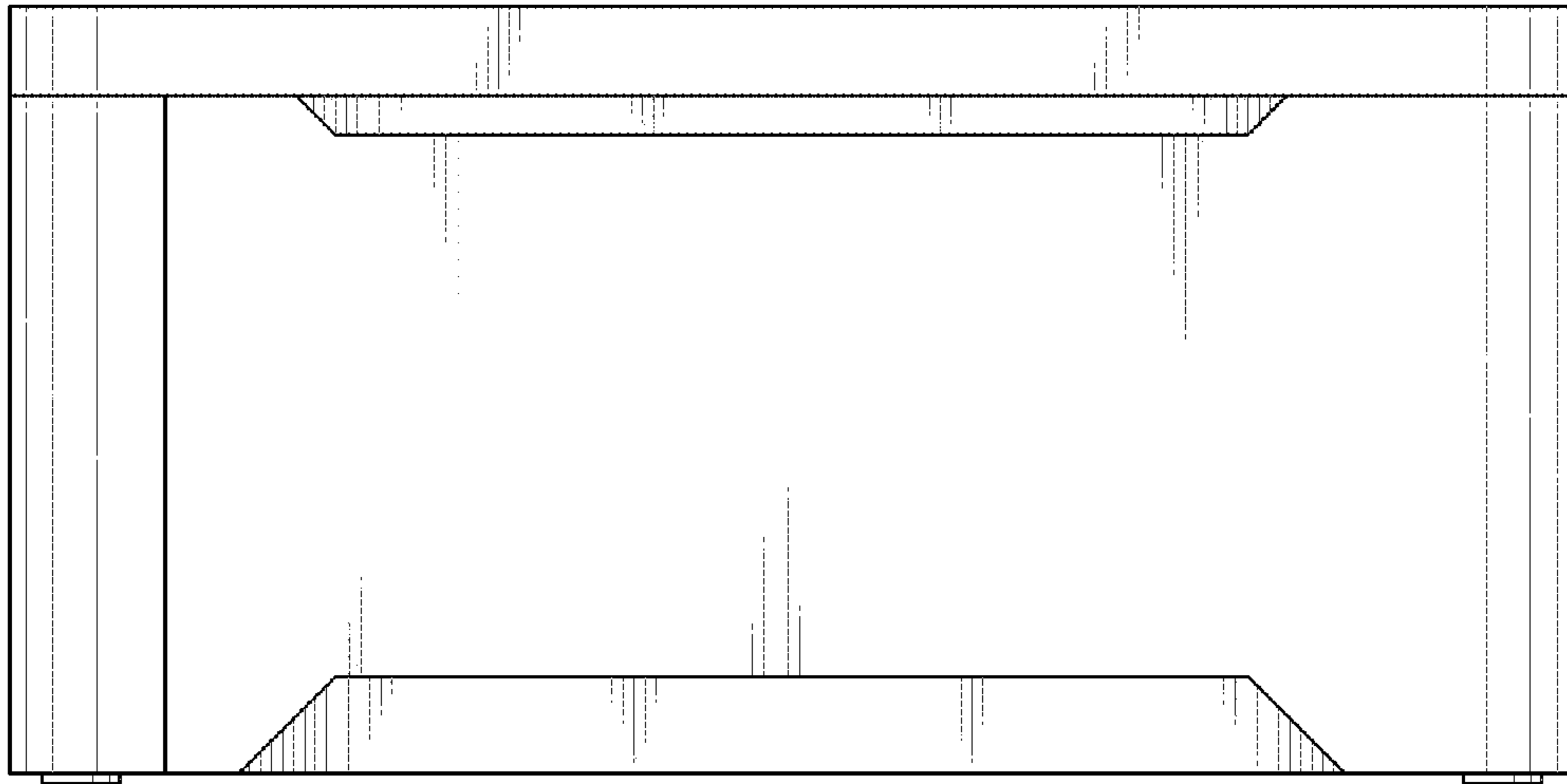


Fig. 3

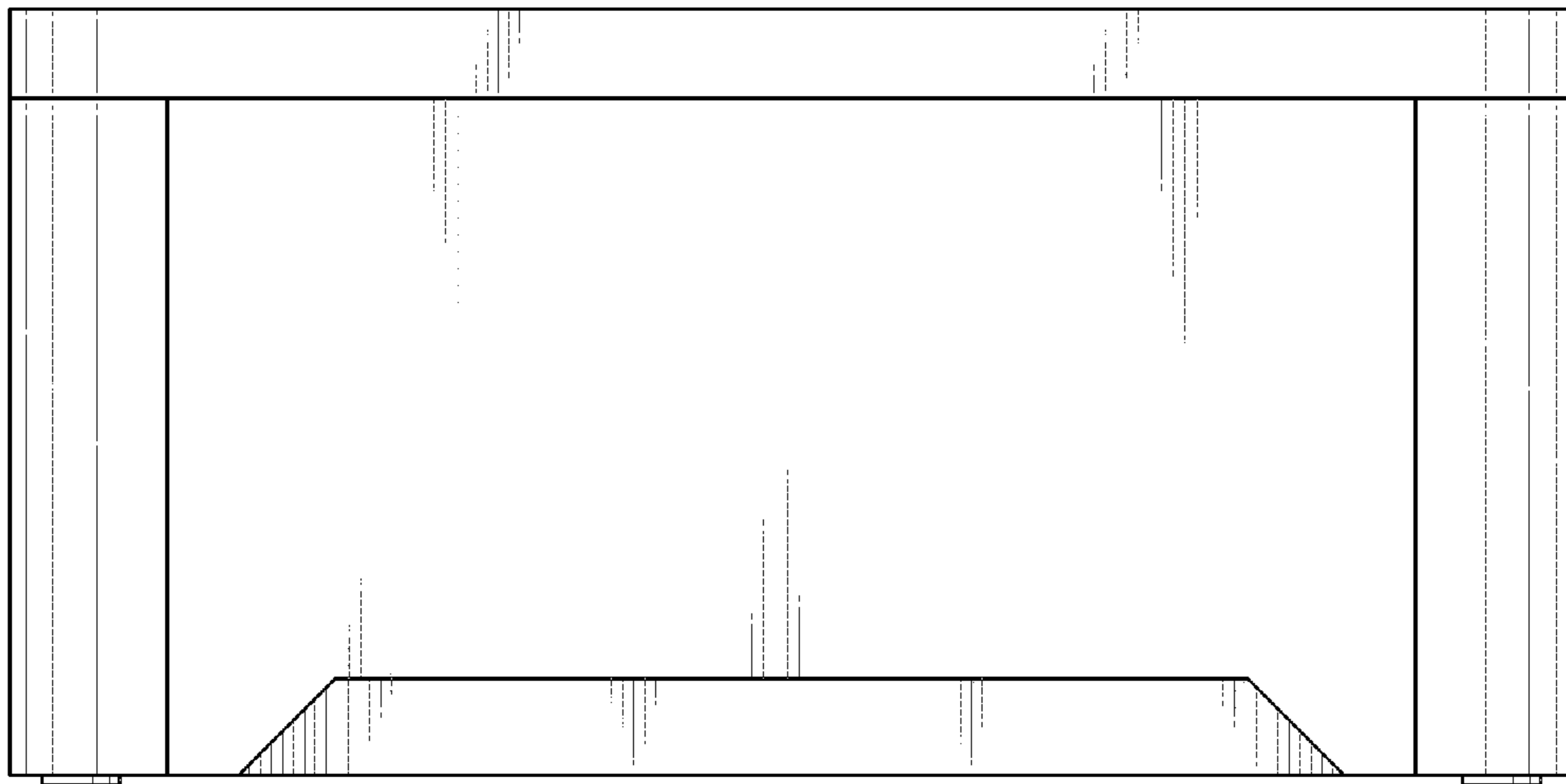


Fig. 4

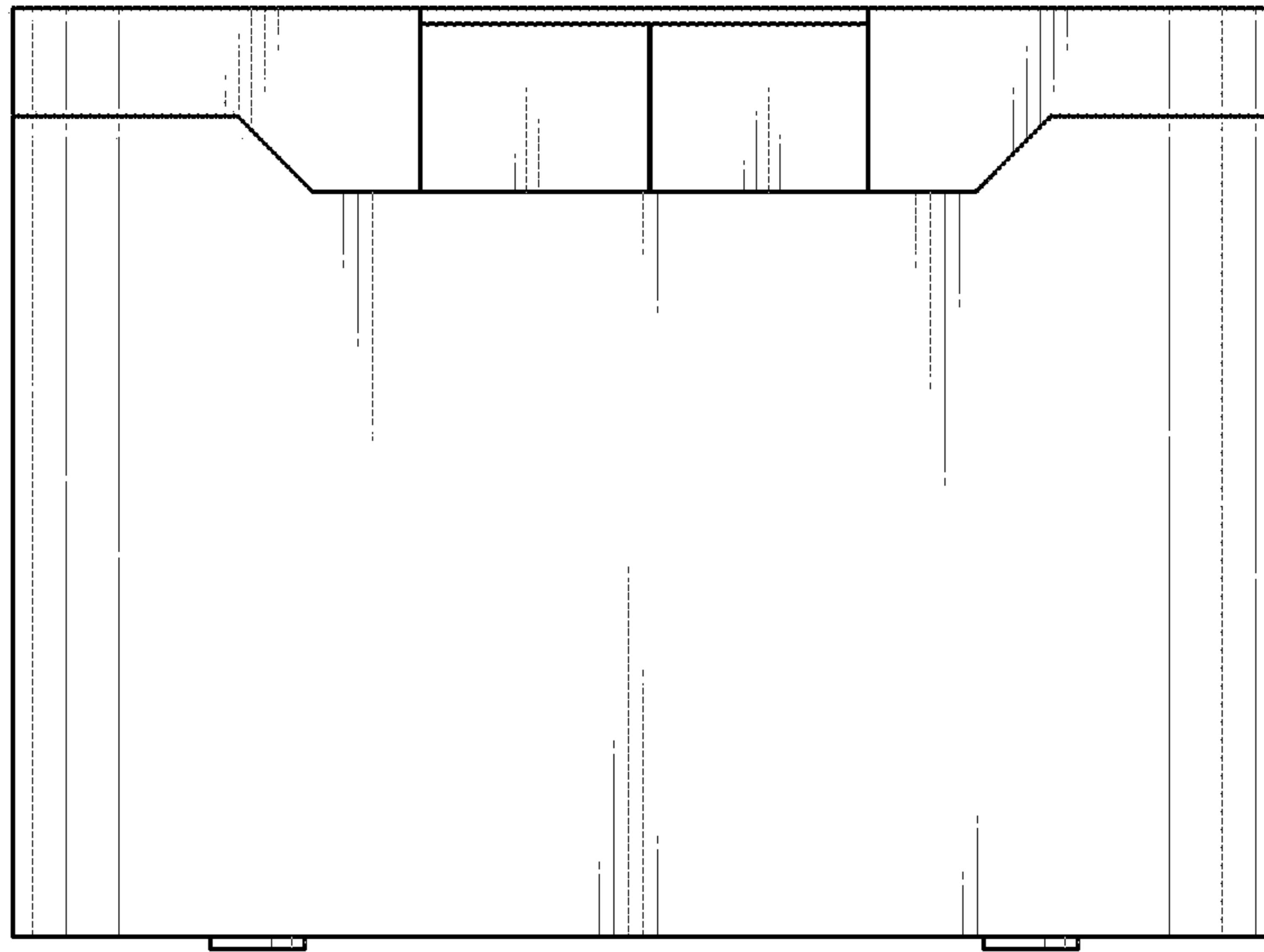


Fig. 5

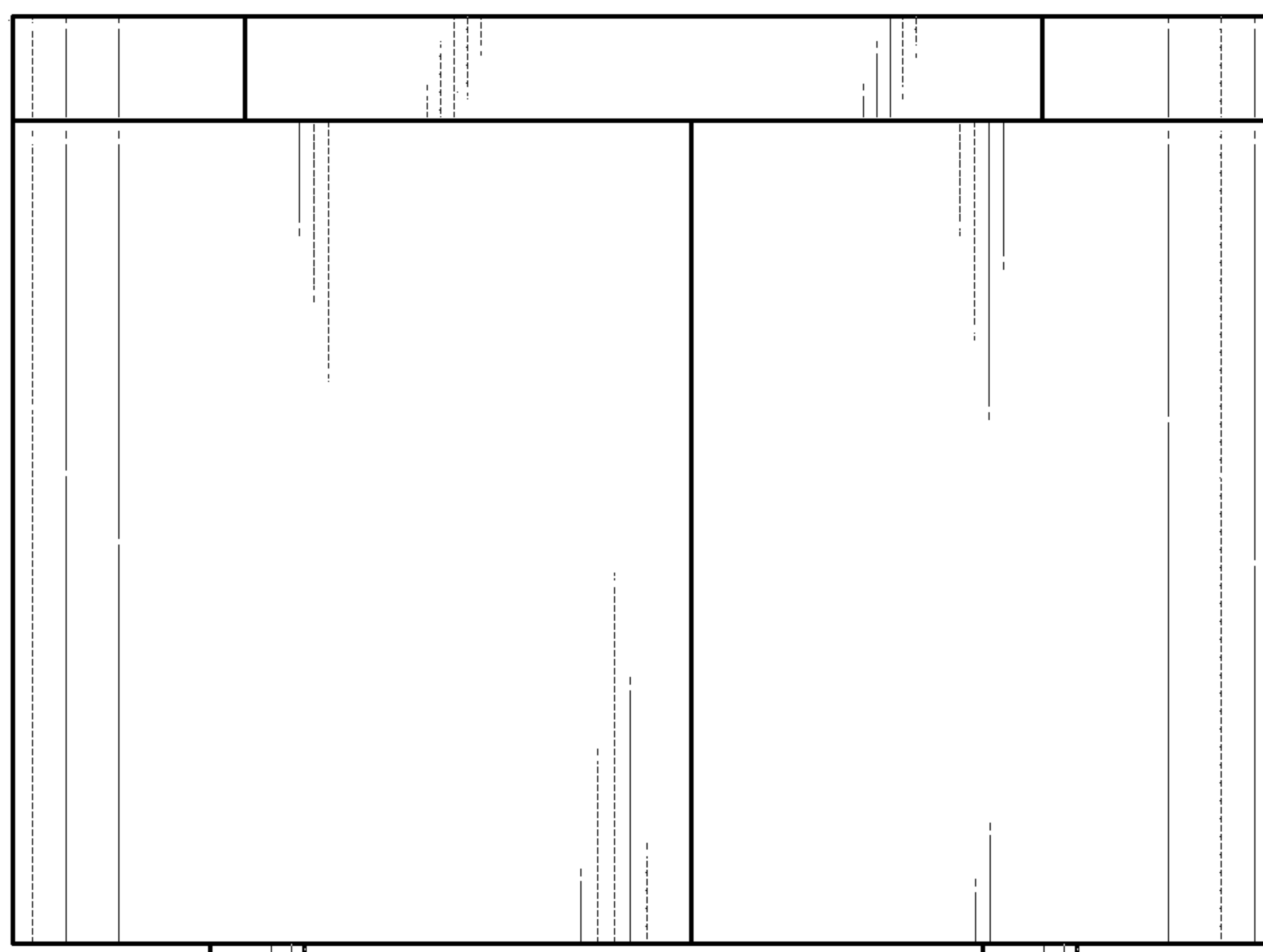


Fig. 6

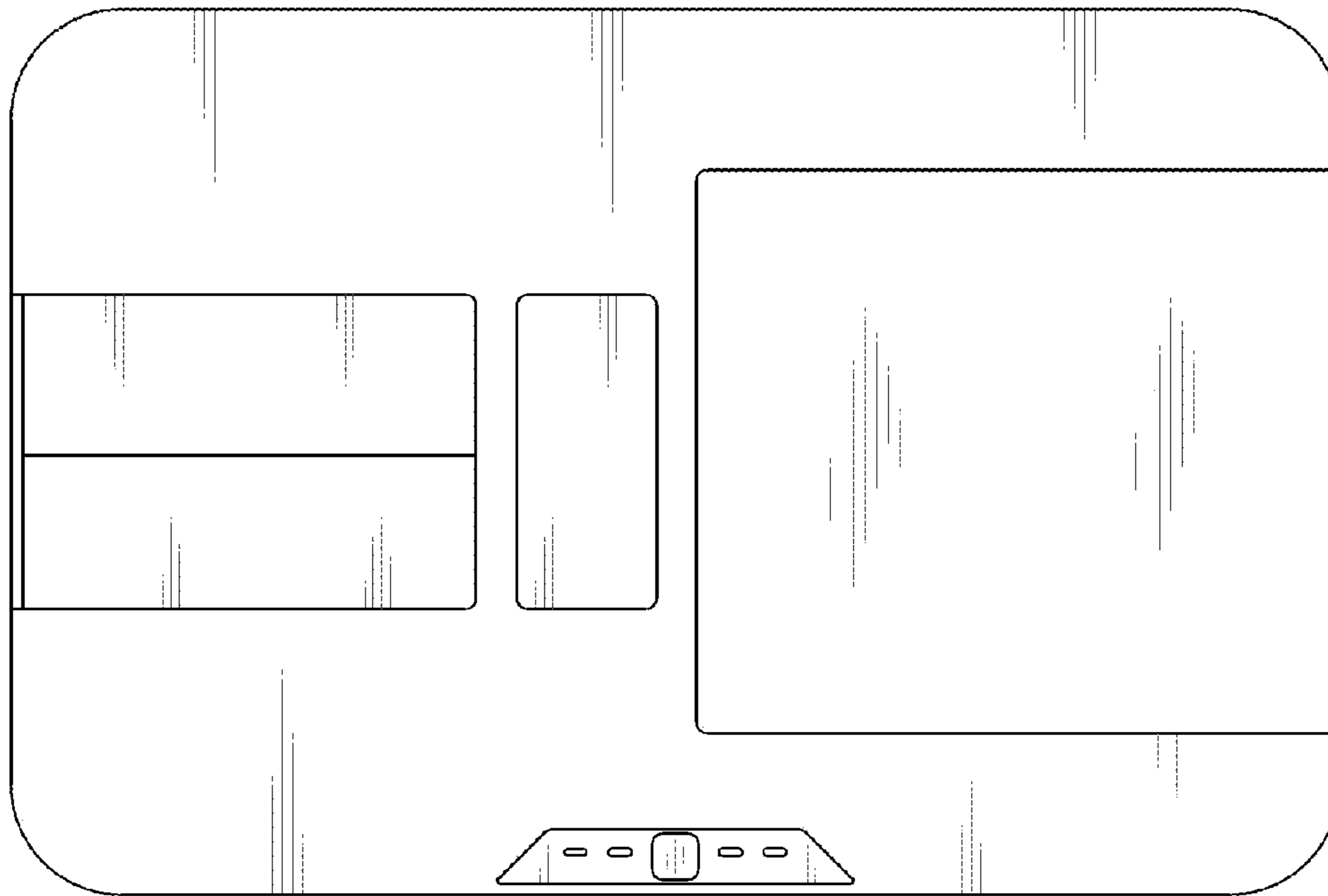


Fig. 7

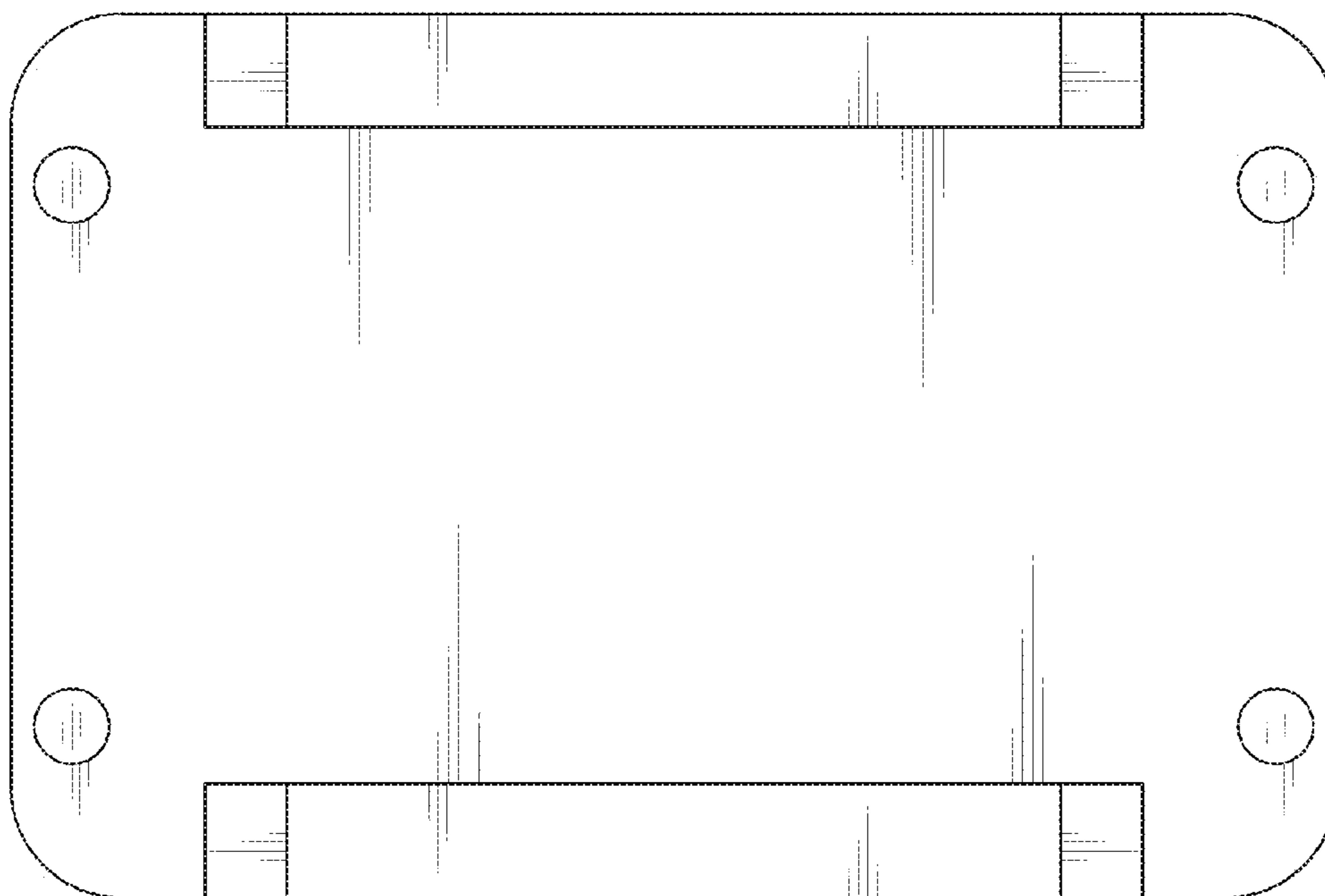


Fig. 8

