



US00D729082S

(12) **United States Design Patent**
Nelson

(10) **Patent No.:** **US D729,082 S**

(45) **Date of Patent:** **** May 12, 2015**

(54) **TAPE MEASURE**

(71) Applicant: **Homer TLC, Inc.**, Wilmington, DE
(US)

(72) Inventor: **Michael Nelson**, Peachtree City, GA
(US)

(73) Assignee: **Homer TLC, Inc.**, Wilmington, DE
(US)

(**) Term: **14 Years**

(21) Appl. No.: **29/510,488**

(22) Filed: **Nov. 28, 2014**

(51) **LOC (10) Cl.** **10-04**

(52) **U.S. Cl.**

USPC **D10/72**

(58) **Field of Classification Search**

CPC G07B 3/10; G01B 3/1082; G01B 3/1056;
G01B 3/563; G01B 3/566; G01B 3/1071;
G01B 2003/1089; G01B 2003/1092; G01B
2003/1048; G01B 2003/1079; G01B
2003/1041; G01B 2003/1084

USPC D10/72; 33/755-771; 242/285, 291,
242/379, 379.1, 379.2, 381, 381.1-381.6,
242/405

See application file for complete search history.

(56) **References Cited**

U.S. PATENT DOCUMENTS

D314,156	S	*	1/1991	Doyle	D10/72
2003/0154617	A1	*	8/2003	Ricalde	33/770
2003/0204966	A1	*	11/2003	Hsu	33/769
2005/0262717	A1	*	12/2005	Chen	33/761
2008/0066333	A1	*	3/2008	Hernandez	33/755
2008/0086904	A1	*	4/2008	Murray	33/767

* cited by examiner

Primary Examiner — Antoine D Davis

(74) *Attorney, Agent, or Firm* — Norton Rose Fulbright US
LLP

(57) **CLAIM**

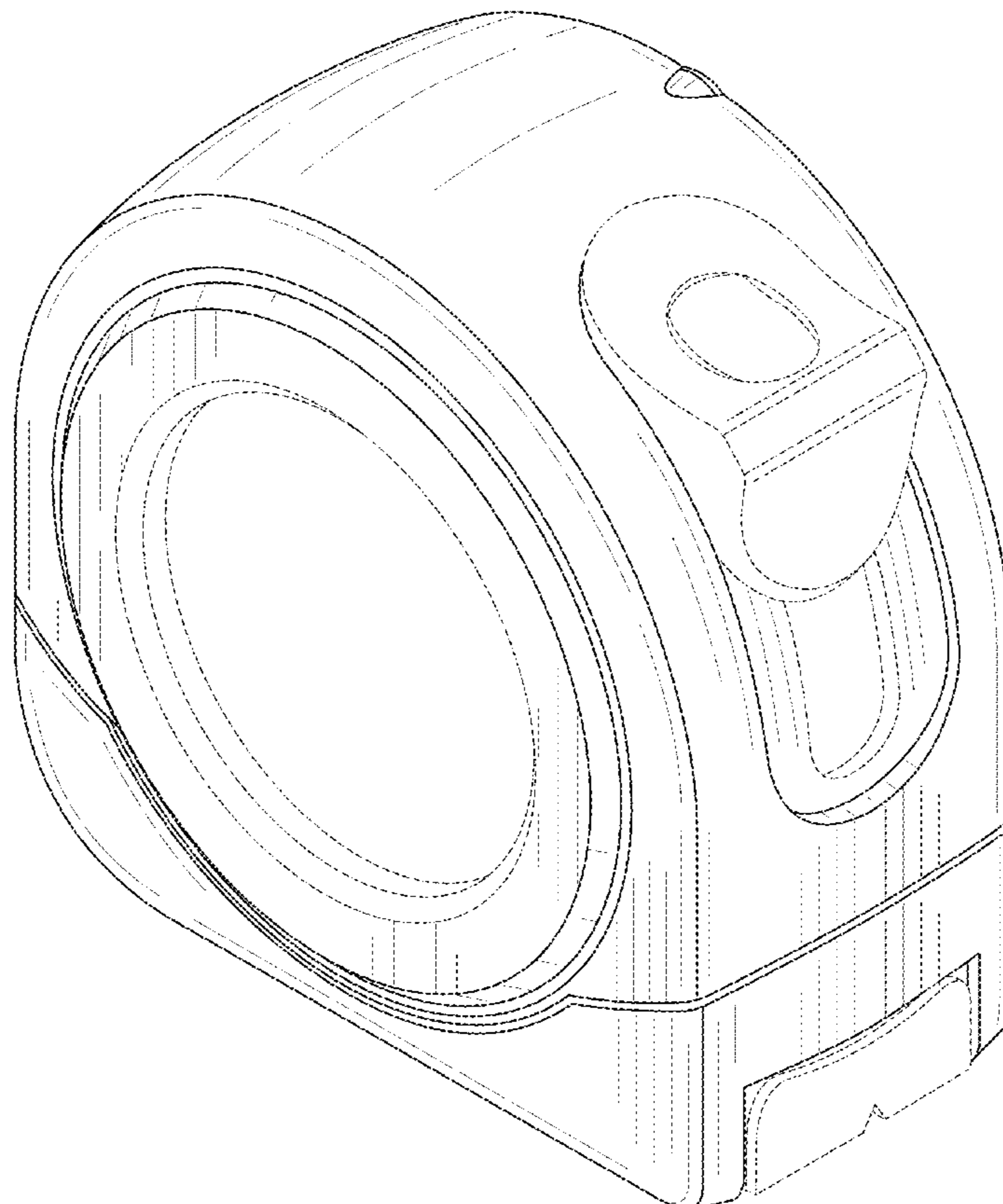
The ornamental design for a tape measure, as shown and
described.

DESCRIPTION

FIG. 1 is a perspective view of my design;
FIG. 2 is a left side view thereof;
FIG. 3 is a right side view thereof;
FIG. 4 is a front view thereof;
FIG. 5 is a back view thereof; and,
FIG. 6 is a top view thereof.

The dashed lines form no part of the claimed design. All other
surface(s) and portion(s) of the tape measure not shown in the
figures or otherwise described in the specification, including
the bottom thereof, form no part of the claimed design.

1 Claim, 6 Drawing Sheets



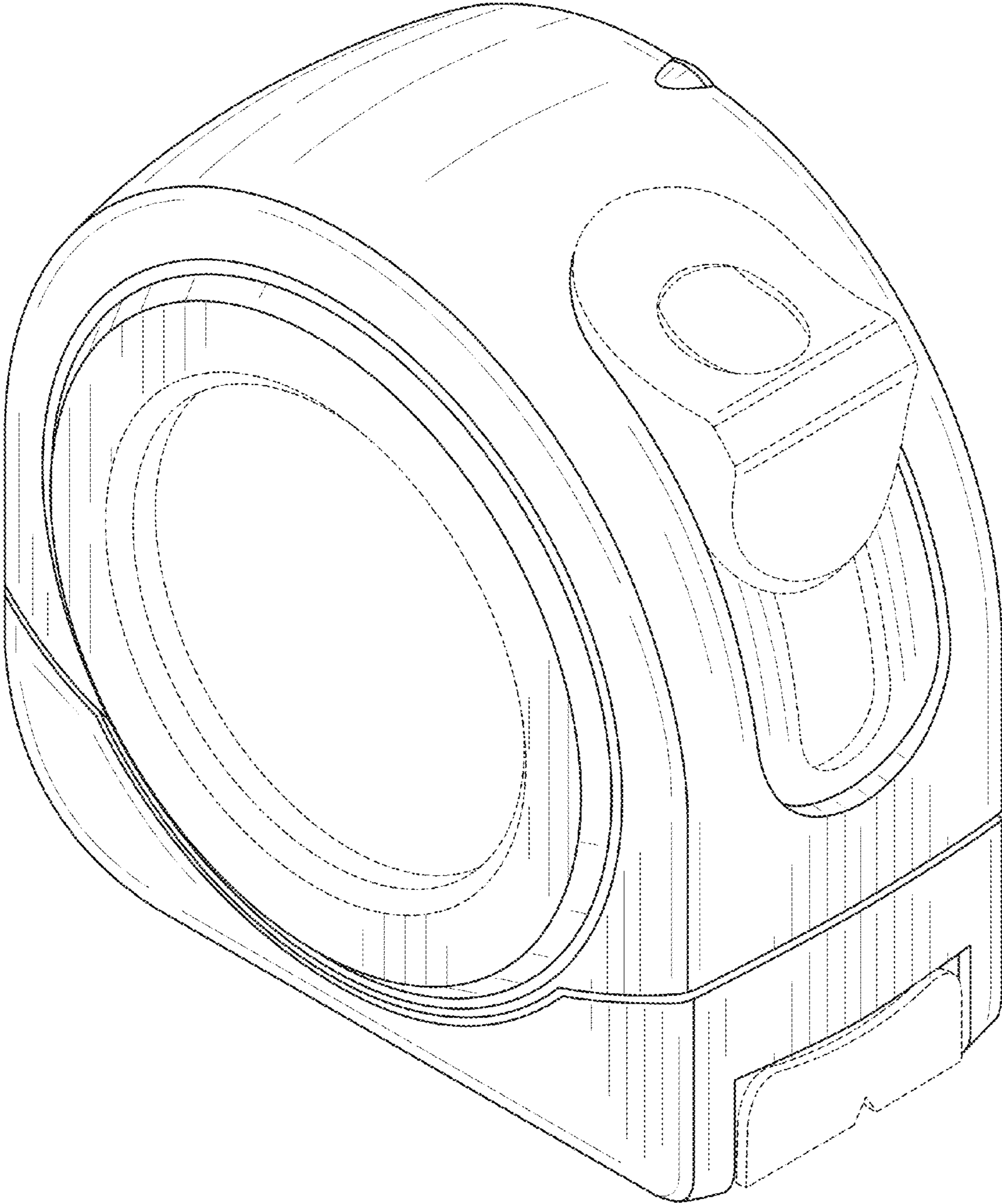


FIG. 1

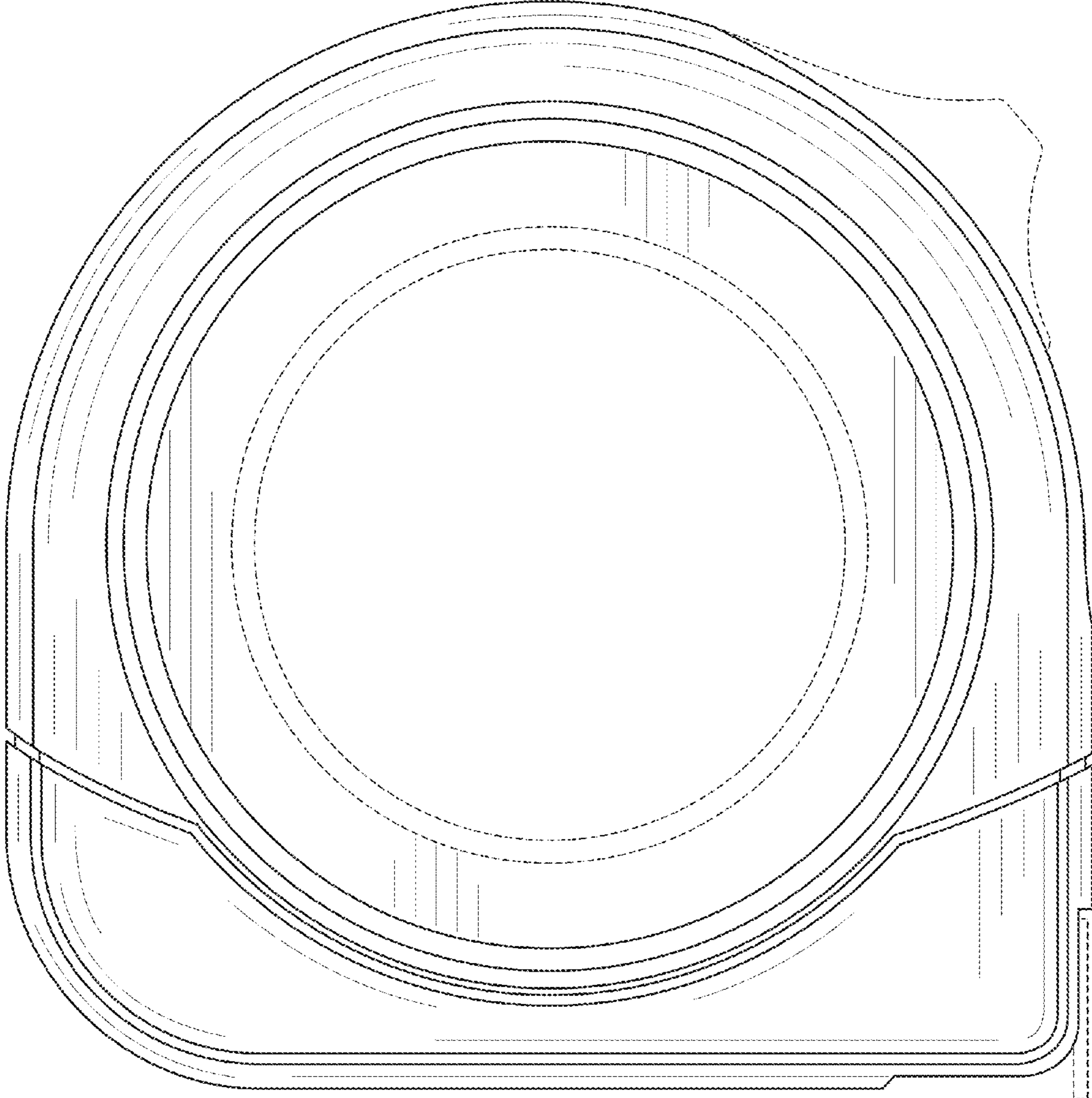


FIG. 2

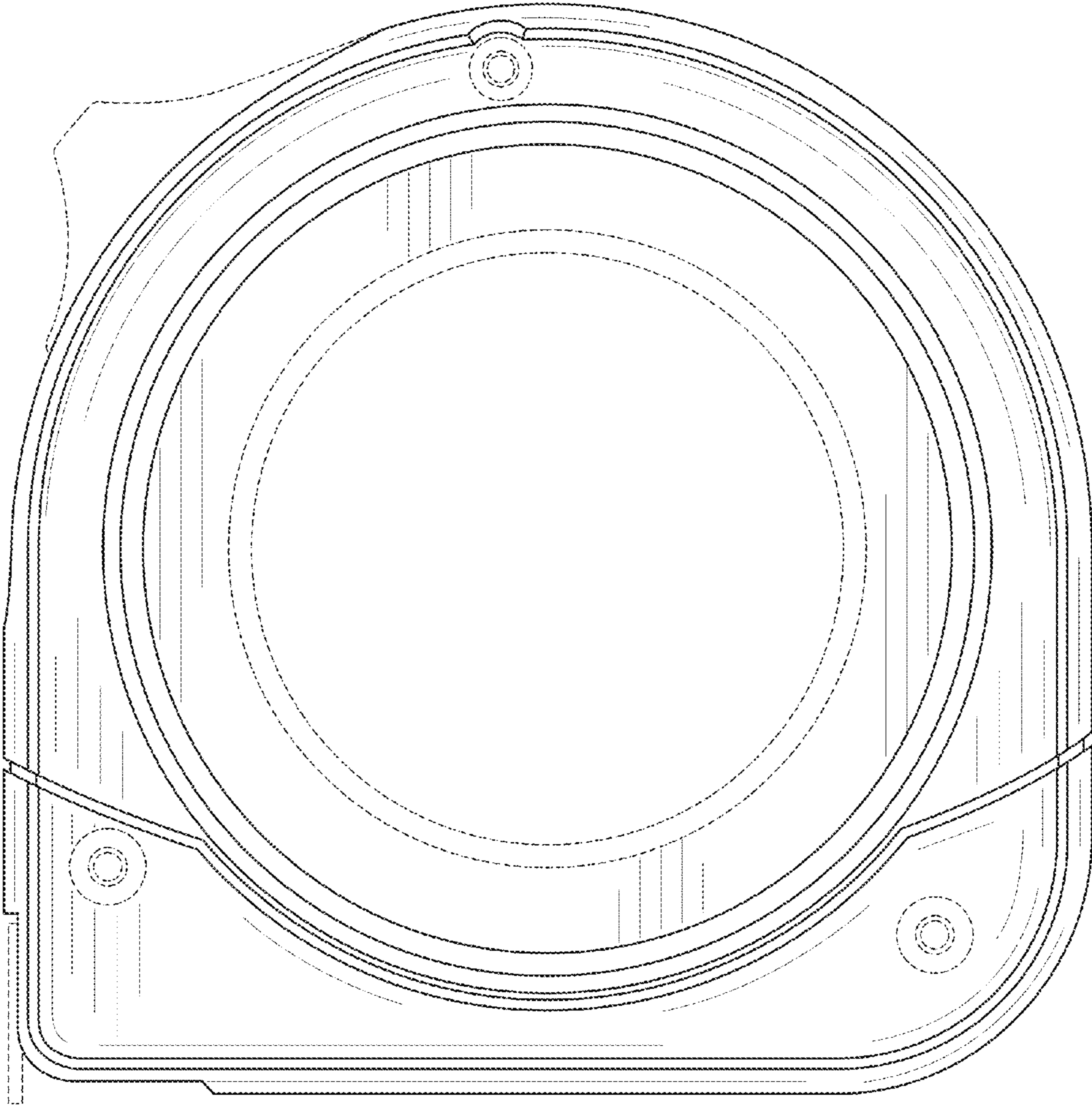


FIG. 3

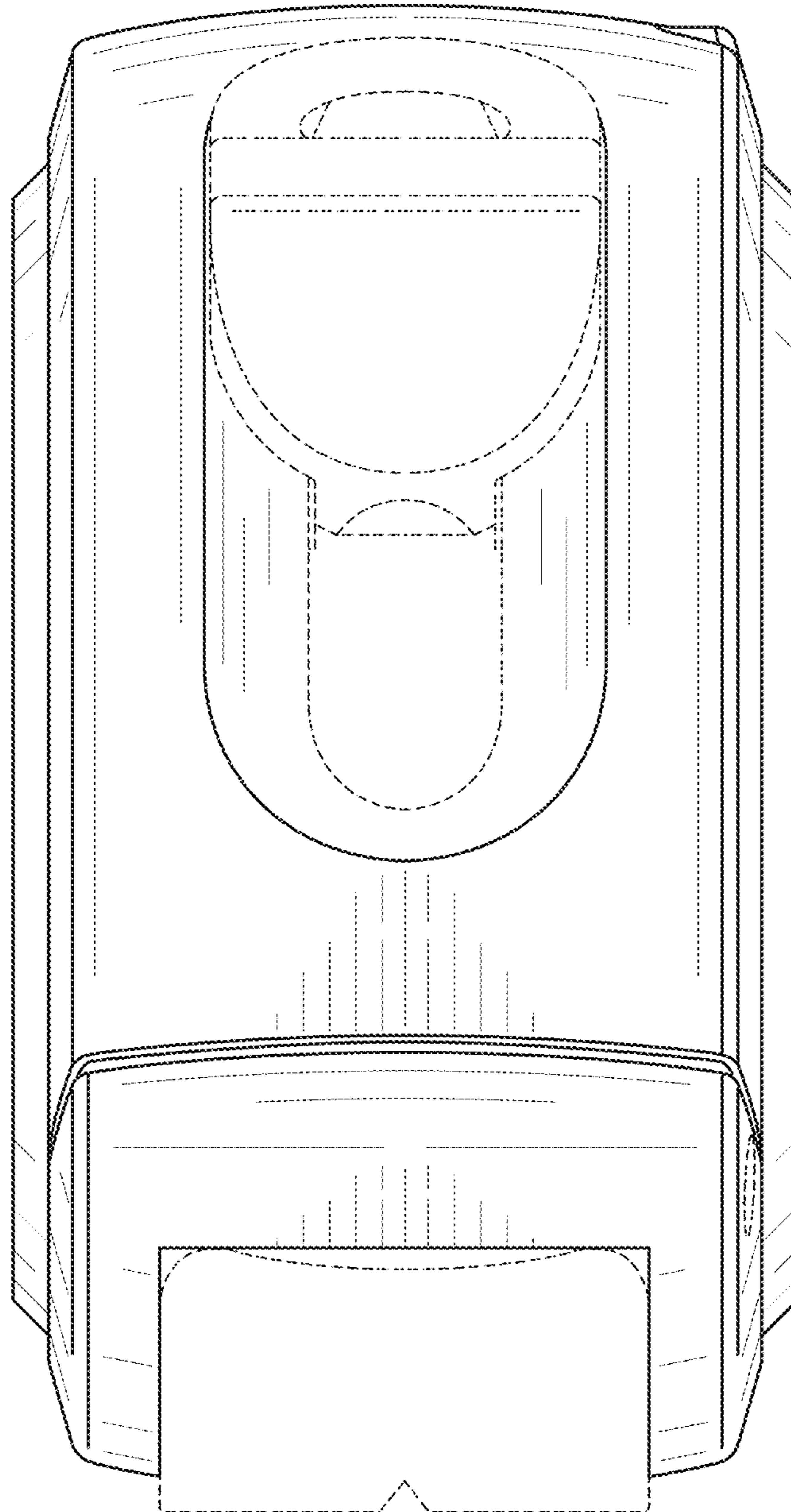


FIG. 4

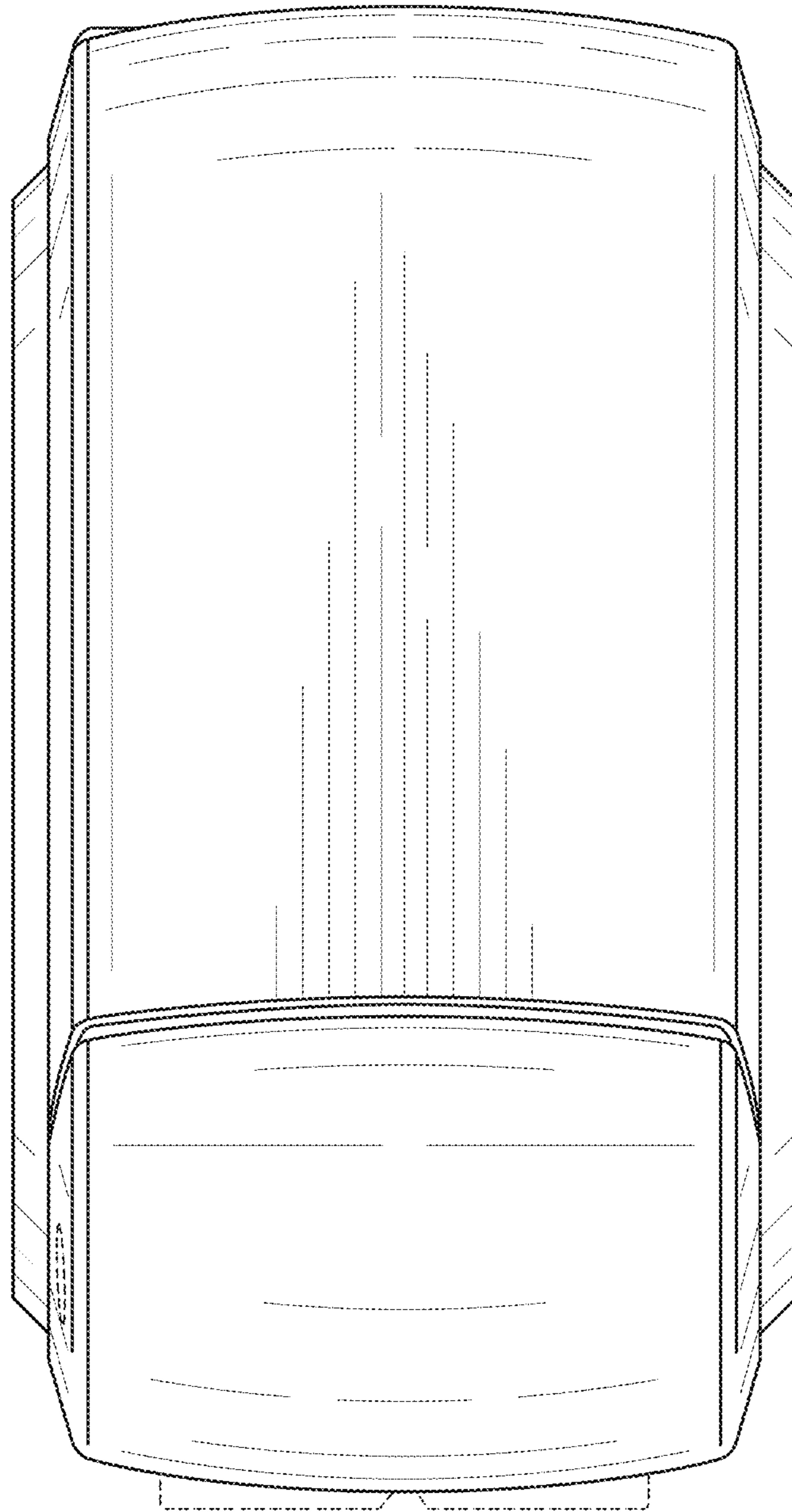


FIG. 5

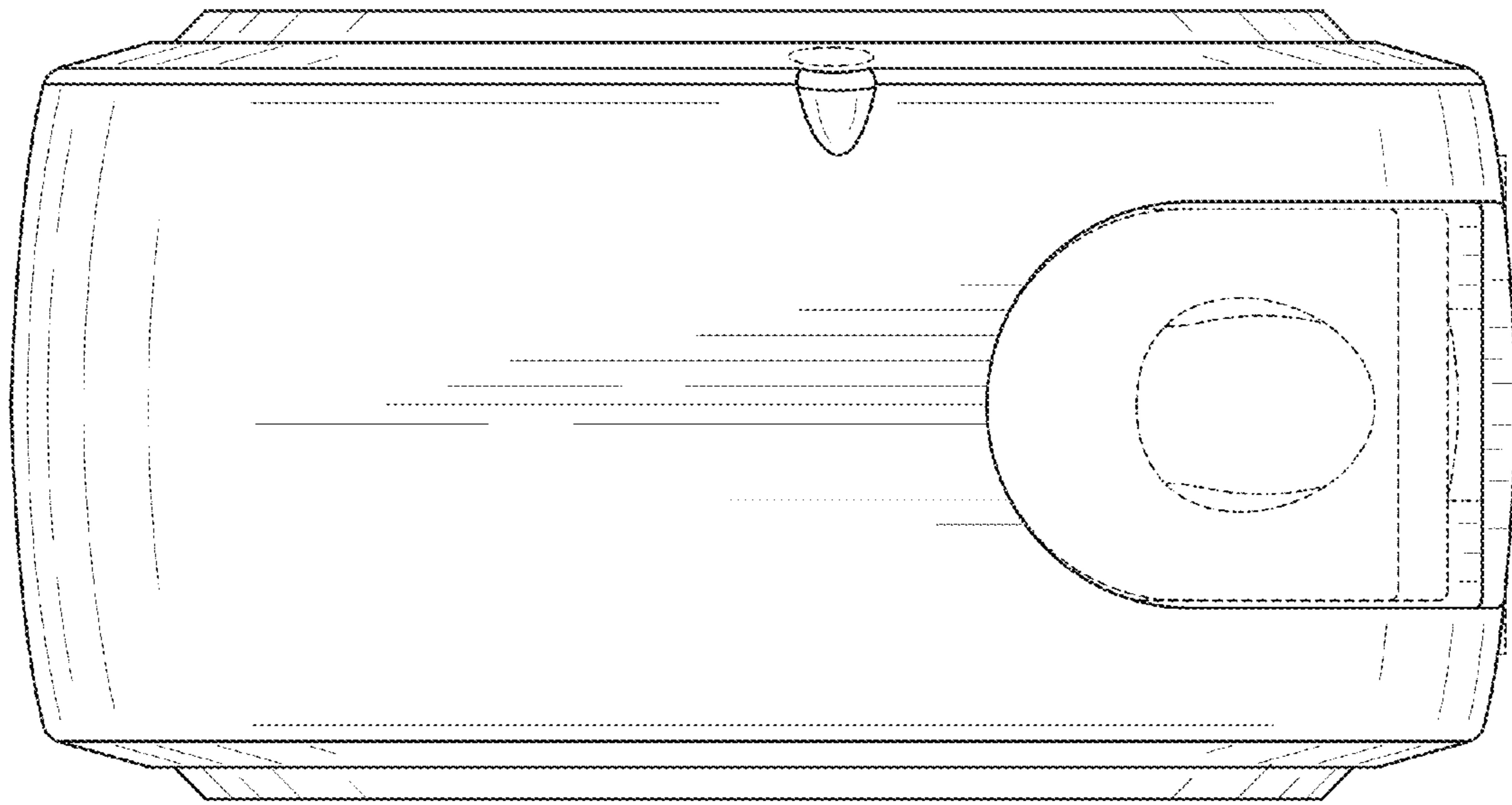


FIG. 6