



US00D729081S

(12) **United States Design Patent**
Nelson

(10) **Patent No.:** **US D729,081 S**
(45) **Date of Patent:** **** May 12, 2015**

(54) **TAPE MEASURE**

(71) Applicant: **Homer TLC, Inc.**, Wilmington, DE
(US)

(72) Inventor: **Michael Nelson**, Peachtree City, GA
(US)

(73) Assignee: **Homer TLC, Inc.**, Wilmington, DE
(US)

(**) Term: **14 Years**

(21) Appl. No.: **29/510,487**

(22) Filed: **Nov. 28, 2014**

(51) **LOC (10) Cl.** **10-04**

(52) **U.S. Cl.**
USPC **D10/72**

(58) **Field of Classification Search**
CPC G07B 3/10; G01B 3/1082; G01B 3/1056;
G01B 3/563; G01B 3/566; G01B 3/1071;
G01B 2003/1089; G01B 2003/1092; G01B
2003/1048; G01B 2003/1079; G01B
2003/1041; G01B 2003/1084
USPC D10/72; 33/755-771; 242/285, 291,
242/379, 379.1, 379.2, 381, 381.1-381.6,
242/405

See application file for complete search history.

(56) **References Cited**

U.S. PATENT DOCUMENTS

D314,156 S *	1/1991	Doyle	D10/72
2003/0154617 A1 *	8/2003	Ricalde	33/770
2003/0204966 A1 *	11/2003	Hsu	33/769
2005/0262717 A1 *	12/2005	Chen	33/761
2008/0066333 A1 *	3/2008	Hernandez	33/755
2008/0086904 A1 *	4/2008	Murray	33/767

* cited by examiner

Primary Examiner — Antoine D Davis

(74) *Attorney, Agent, or Firm* — Norton Rose Fulbright US LLP

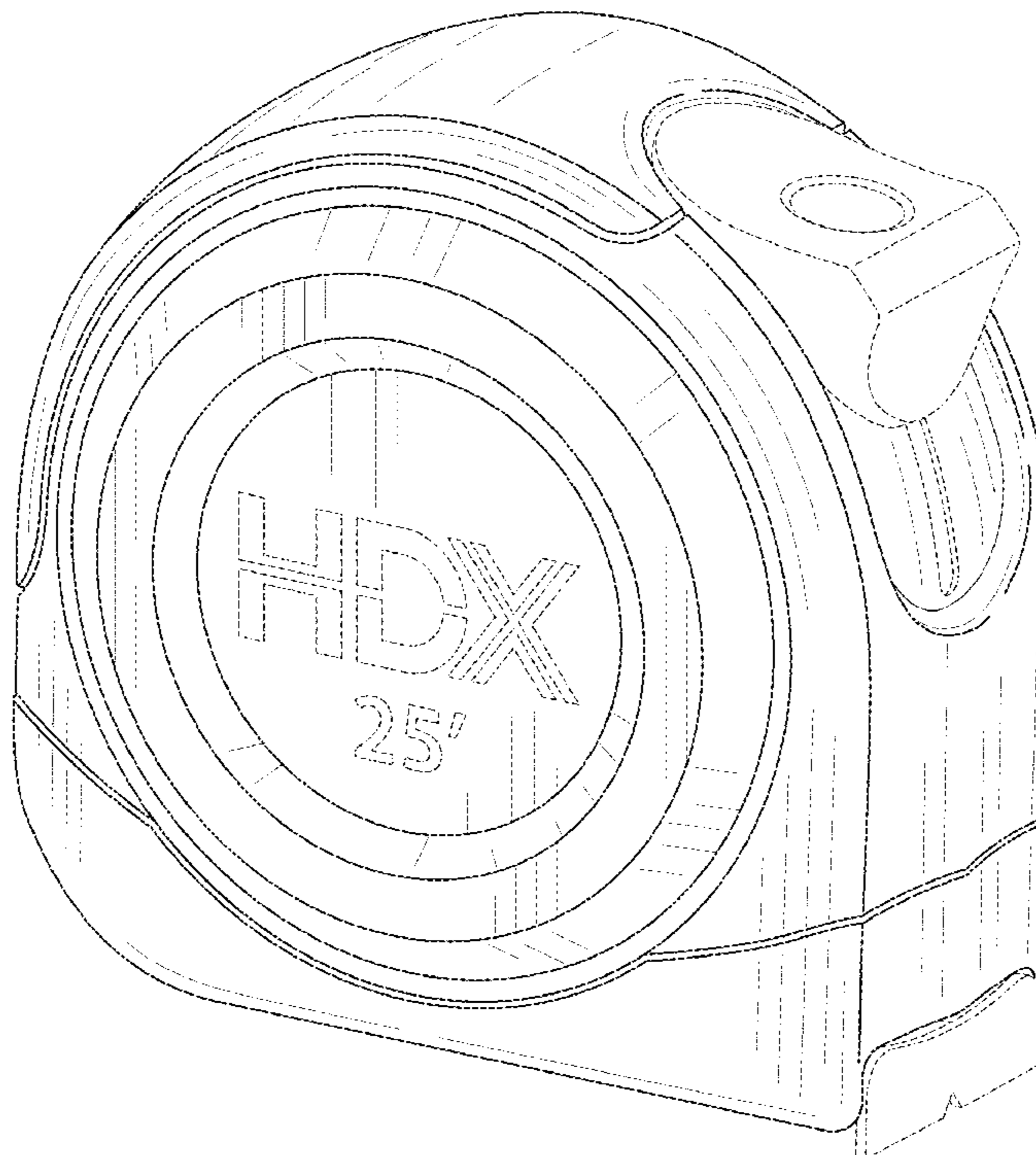
(57) **CLAIM**

The ornamental design for a tape measure, as shown and described.

DESCRIPTION

FIG. 1 is a perspective view of my design;
FIG. 2 is a left side view thereof;
FIG. 3 is a right side view thereof;
FIG. 4 is a front view thereof;
FIG. 5 is a back view thereof;
FIG. 6 is a top view thereof;
FIG. 7 is a bottom view thereof; and,
FIG. 8 is another perspective view thereof.
The dashed lines form no part of the claimed design. All other surface(s) and portion(s) of the tape measure not shown in the figures or otherwise described in the specification form no part of the claimed design.

1 Claim, 8 Drawing Sheets



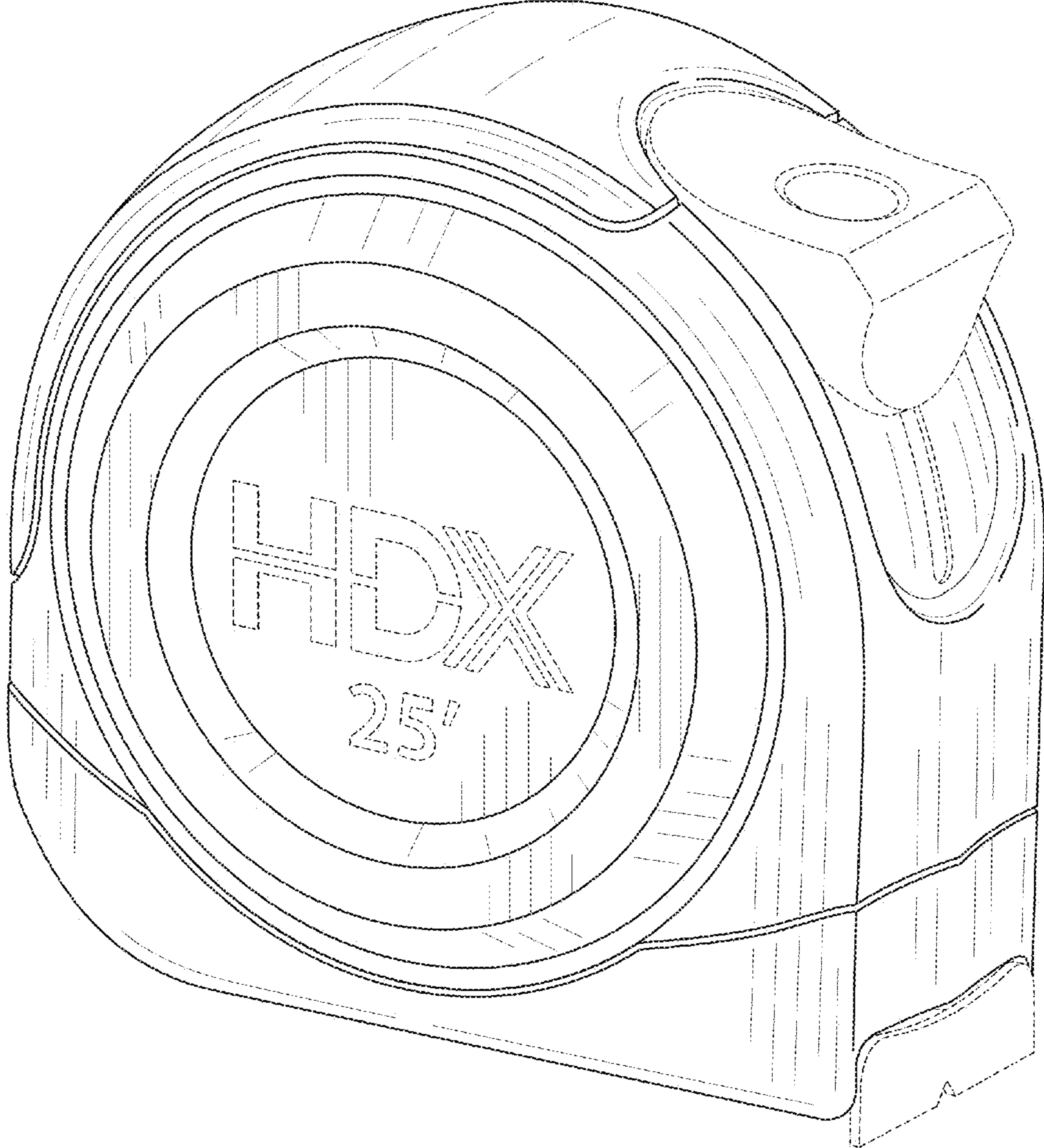


FIG. 1

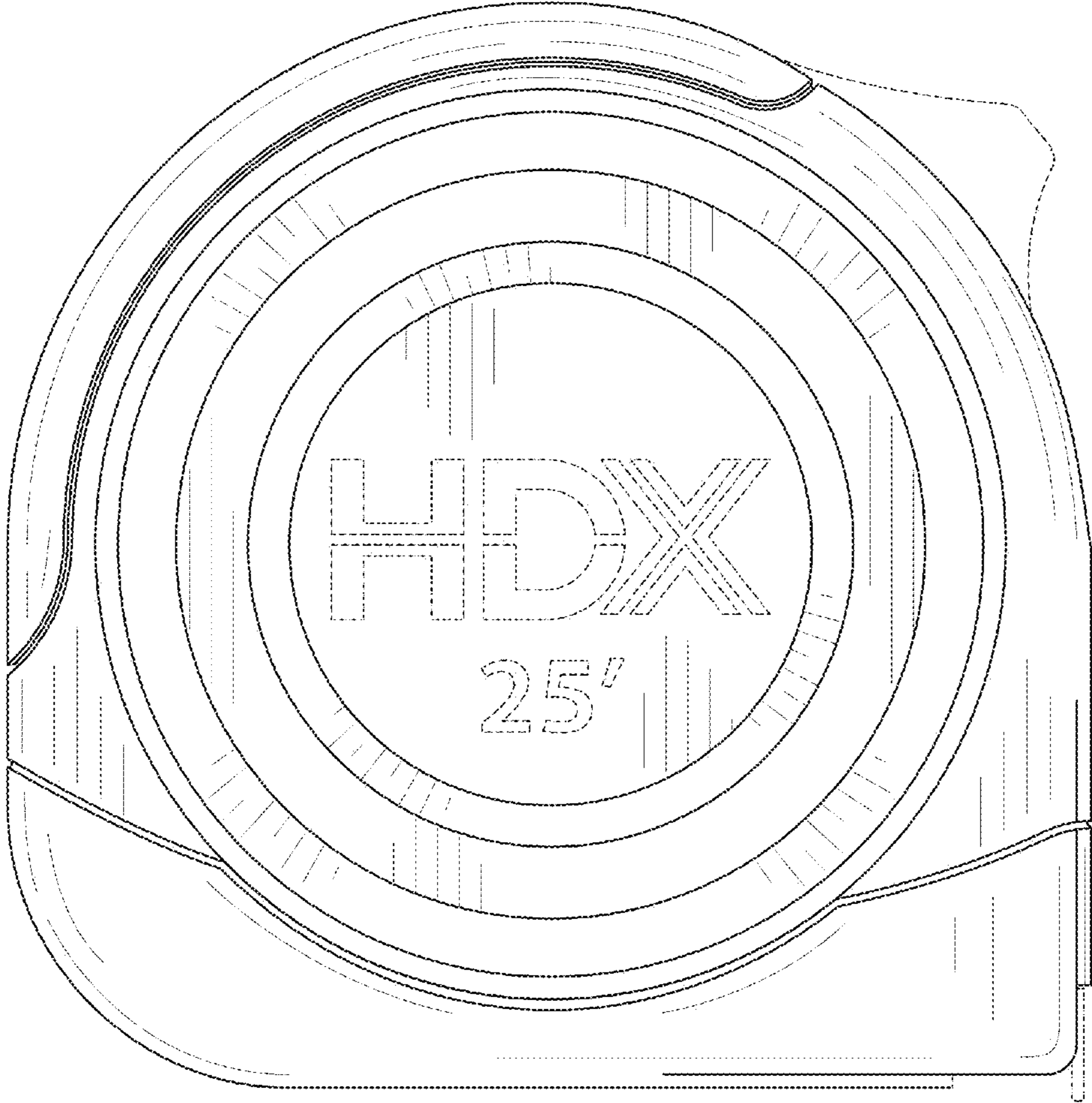


FIG. 2

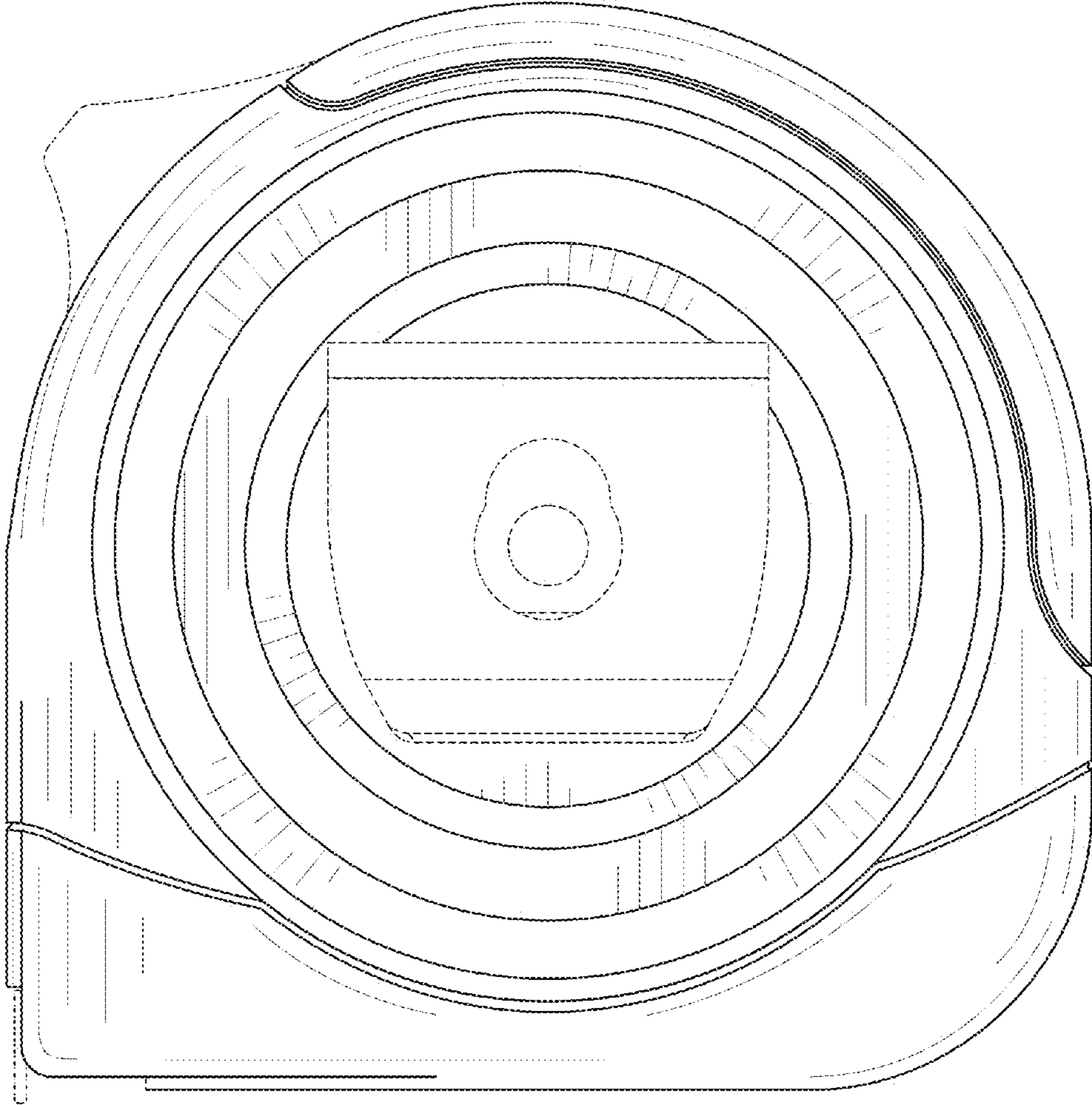


FIG. 3

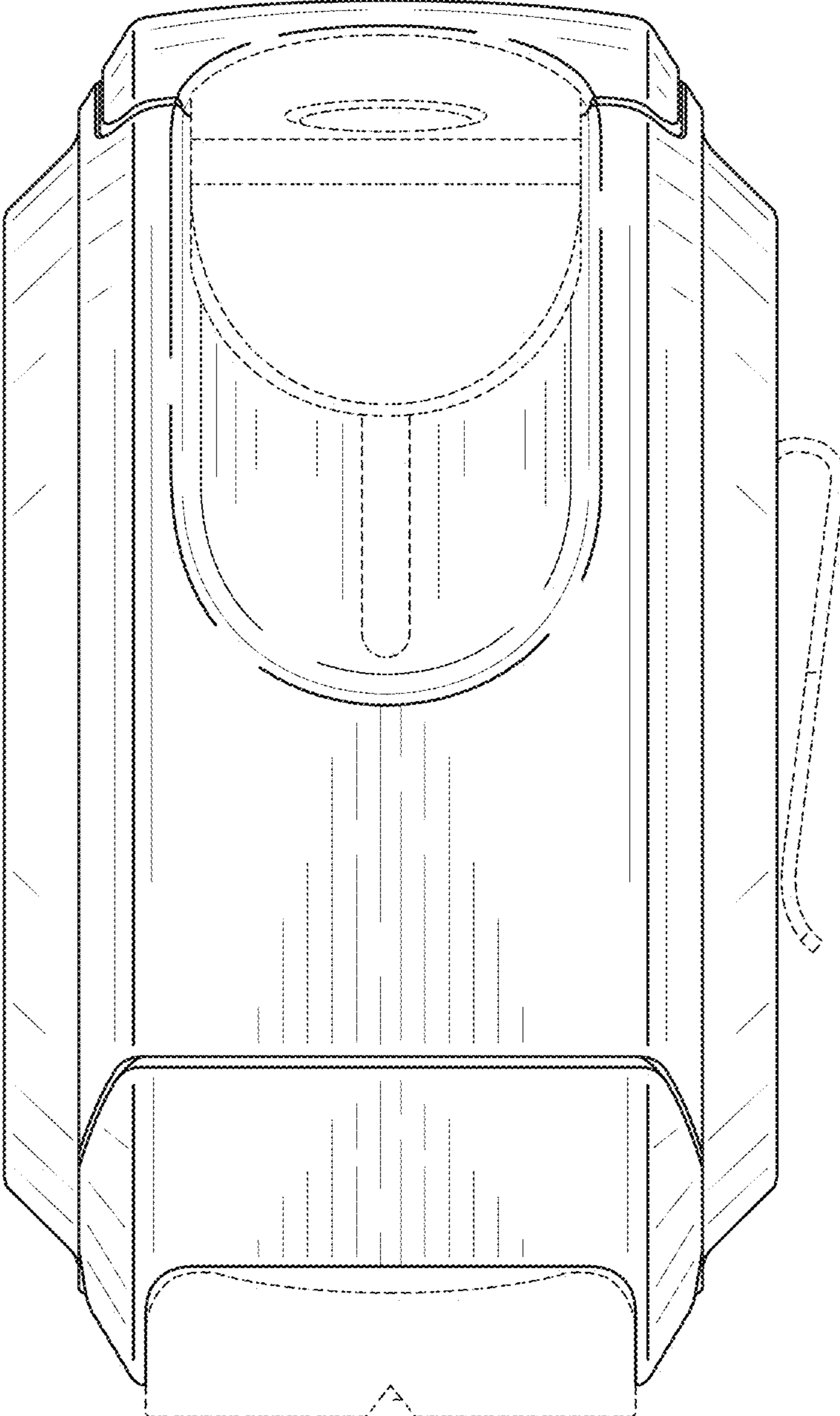


FIG. 4

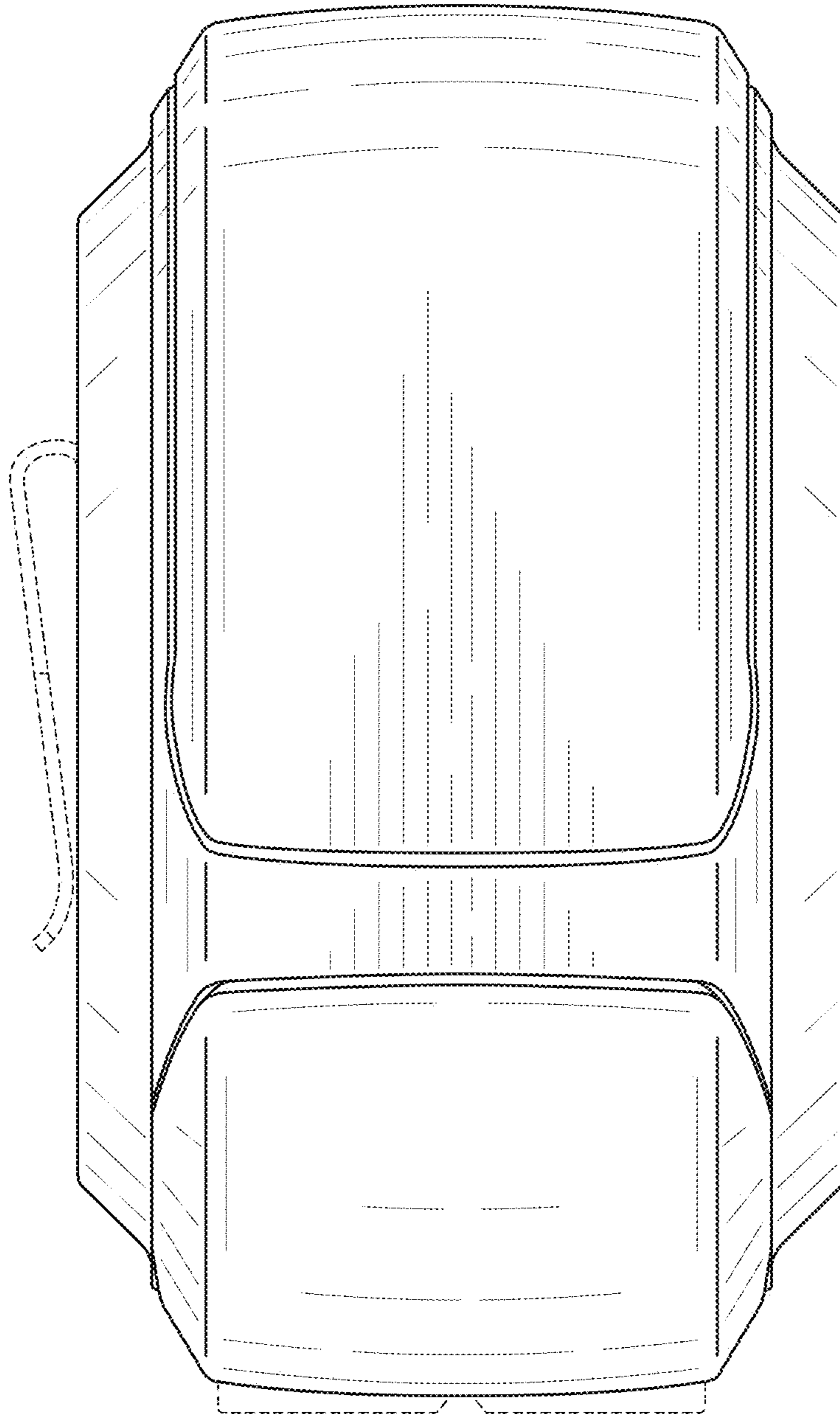


FIG. 5

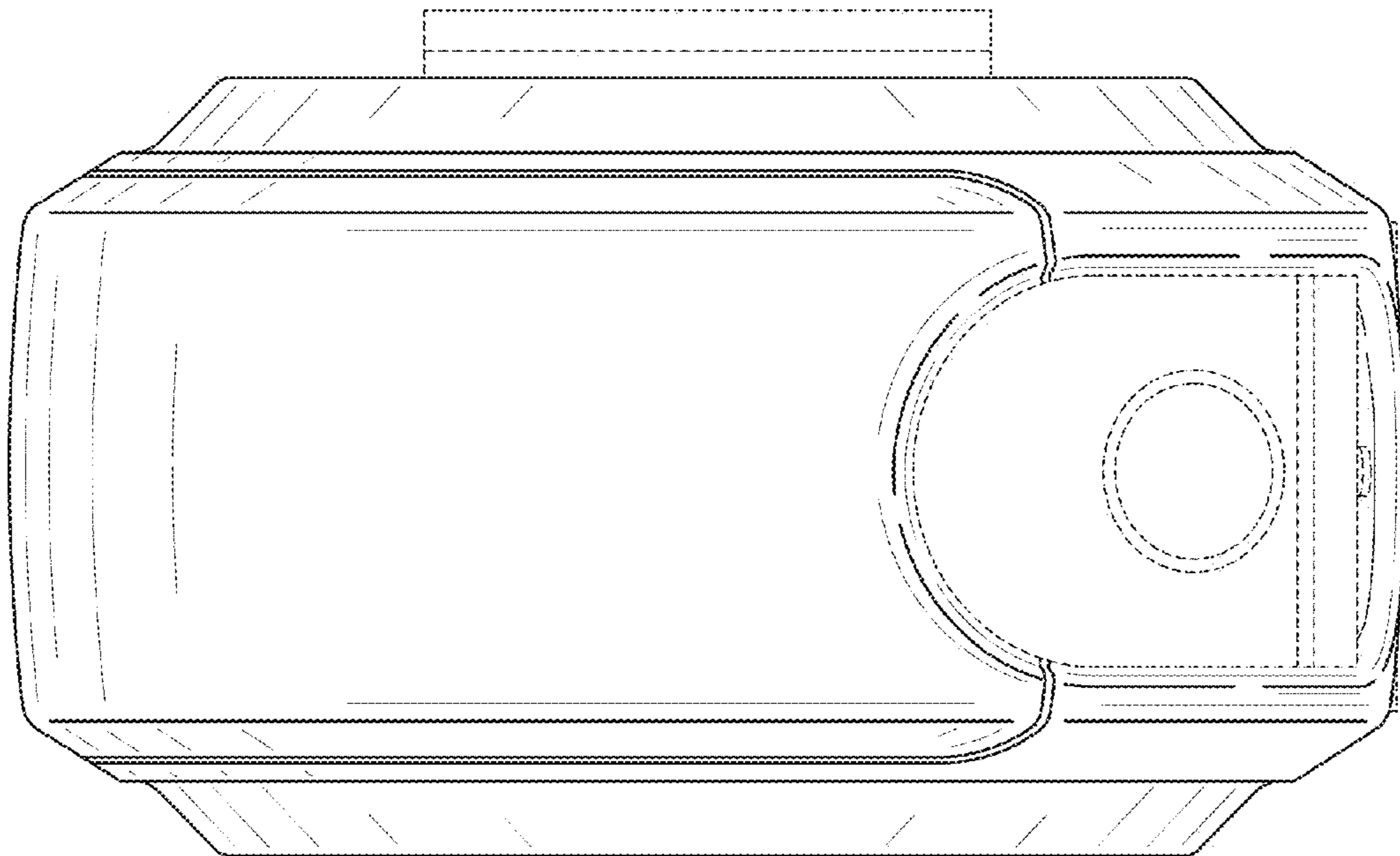


FIG. 6

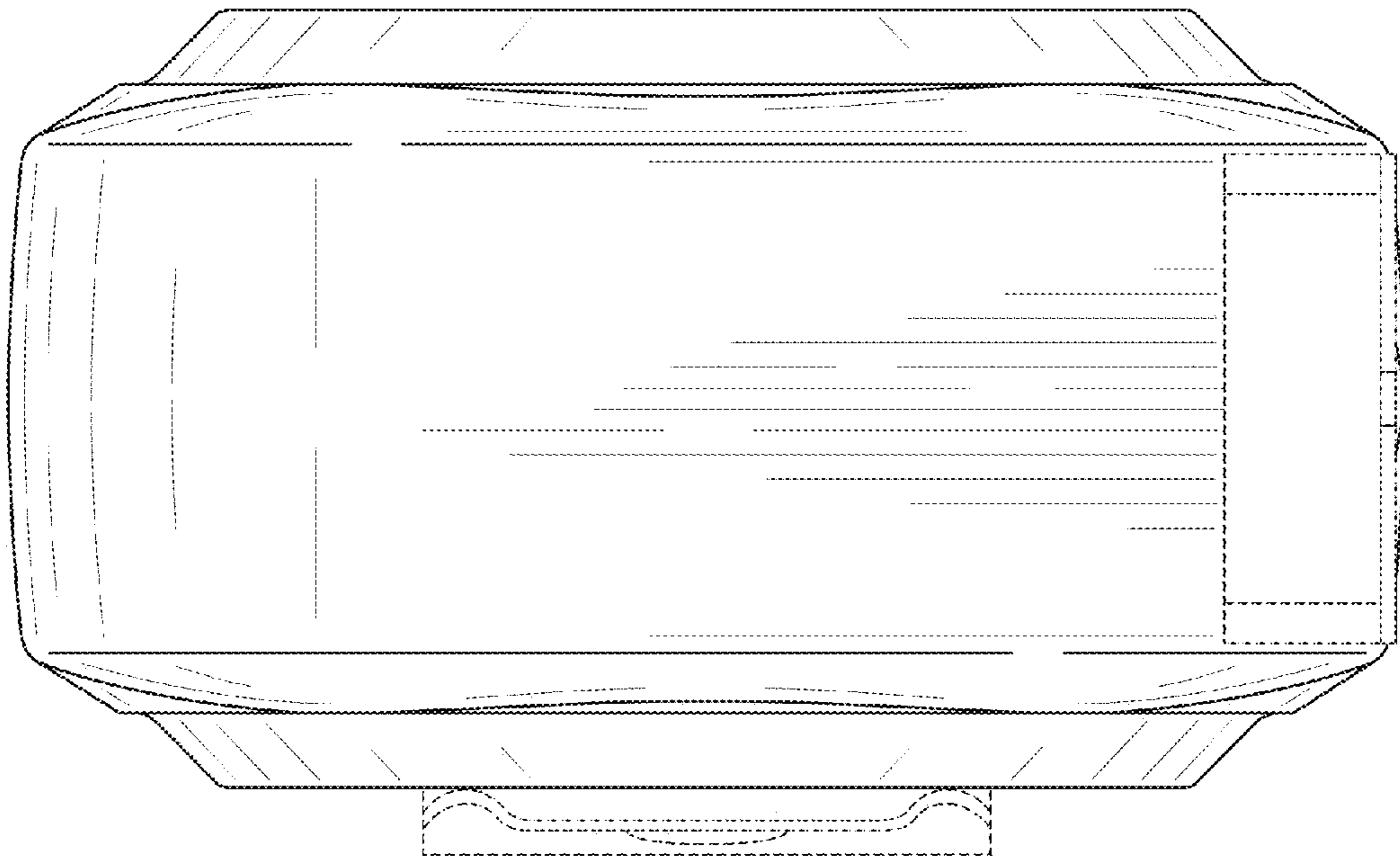


FIG. 7

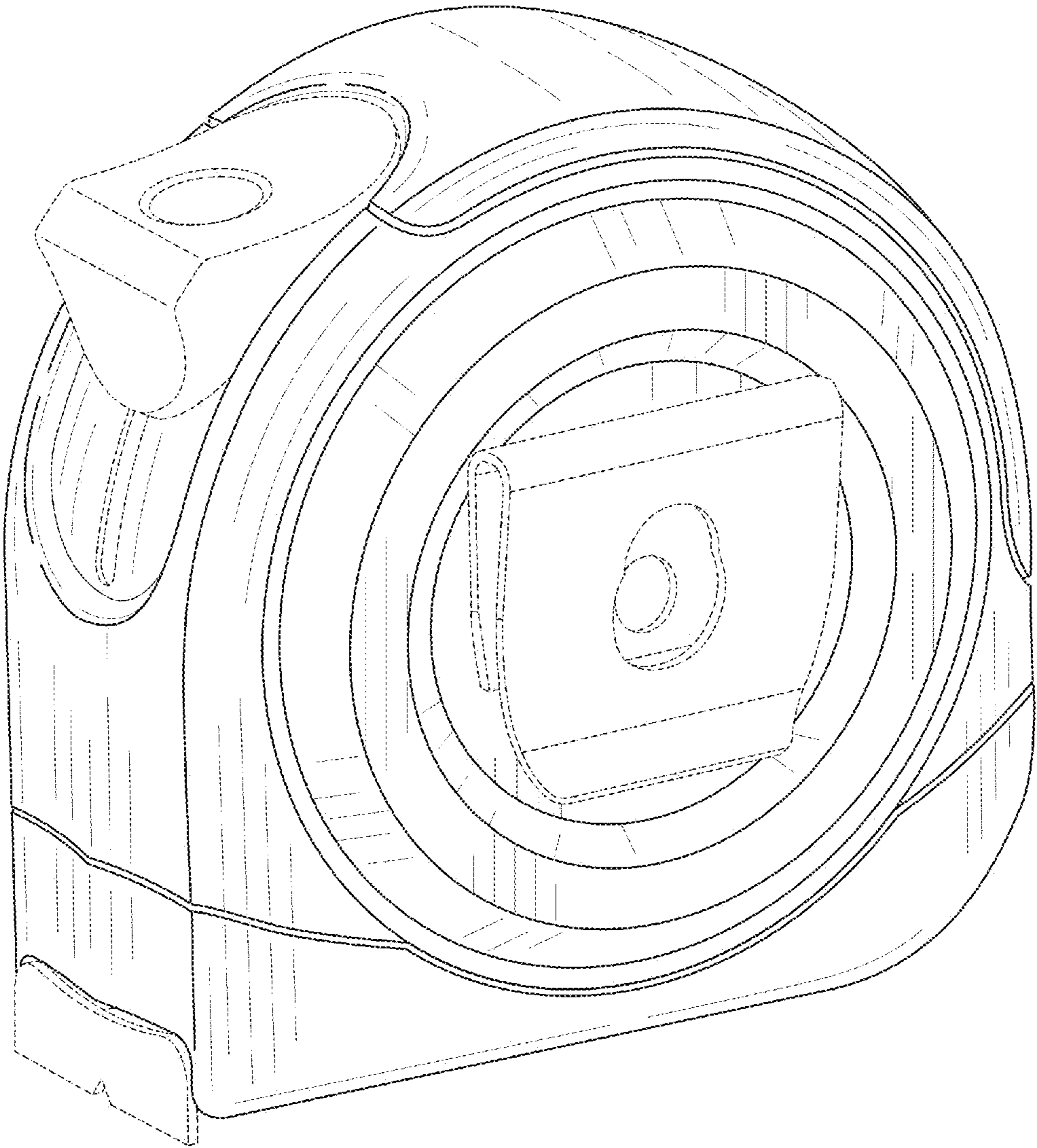


FIG. 8