



US00D729080S

(12) **United States Design Patent**
Wolos et al.

(10) **Patent No.:** **US D729,080 S**

(45) **Date of Patent:** **** May 12, 2015**

(54) **BAND FOR WEARABLE DEVICE**

(56) **References Cited**

(71) Applicant: **Filip Technologies UK Ltd.**, London (GB)

(72) Inventors: **Gregory Wolos**, Cambridge, MA (US); **Sten Kirkbak**, Trondheim (NO); **Pål Selnaes**, Morrisville, NC (US); **William Herbert Darden, IV**, Cary, NC (US); **Dirk Ahlgrim**, Boston, MA (US); **Timothy Proulx**, Nashua, NH (US); **Ari Adler**, Cambridge, MA (US); **Jonathan Peachey**, New York, NY (US); **Martin Hanssmann**, Portsmouth, NH (US)

U.S. PATENT DOCUMENTS

D528,439 S	*	9/2006	Burton	D10/32
D528,928 S	*	9/2006	Burton	D10/38
D645,360 S	*	9/2011	Kiser et al.	D10/32
D693,251 S	*	11/2013	Anderssen et al.	D10/70
D710,220 S	*	8/2014	Daniel	D10/70
D716,677 S	*	11/2014	Messier et al.	D10/98
D717,678 S	*	11/2014	Anderssen et al.	D10/98
D717,679 S	*	11/2014	Anderssen et al.	D10/98
D719,123 S	*	12/2014	Park et al.	D14/138 R

* cited by examiner

Primary Examiner — Antoine D Davis

(74) *Attorney, Agent, or Firm* — Ballard Spahr LLP

(73) Assignee: **Filip Technologies, Inc.**, New York, NY (US)

(57) **CLAIM**

We claim the ornamental design for a band for a wearable device, as shown and described.

(**) Term: **14 Years**

DESCRIPTION

(21) Appl. No.: **29/491,831**

(22) Filed: **May 25, 2014**

(51) **LOC (10) Cl.** **10-04**

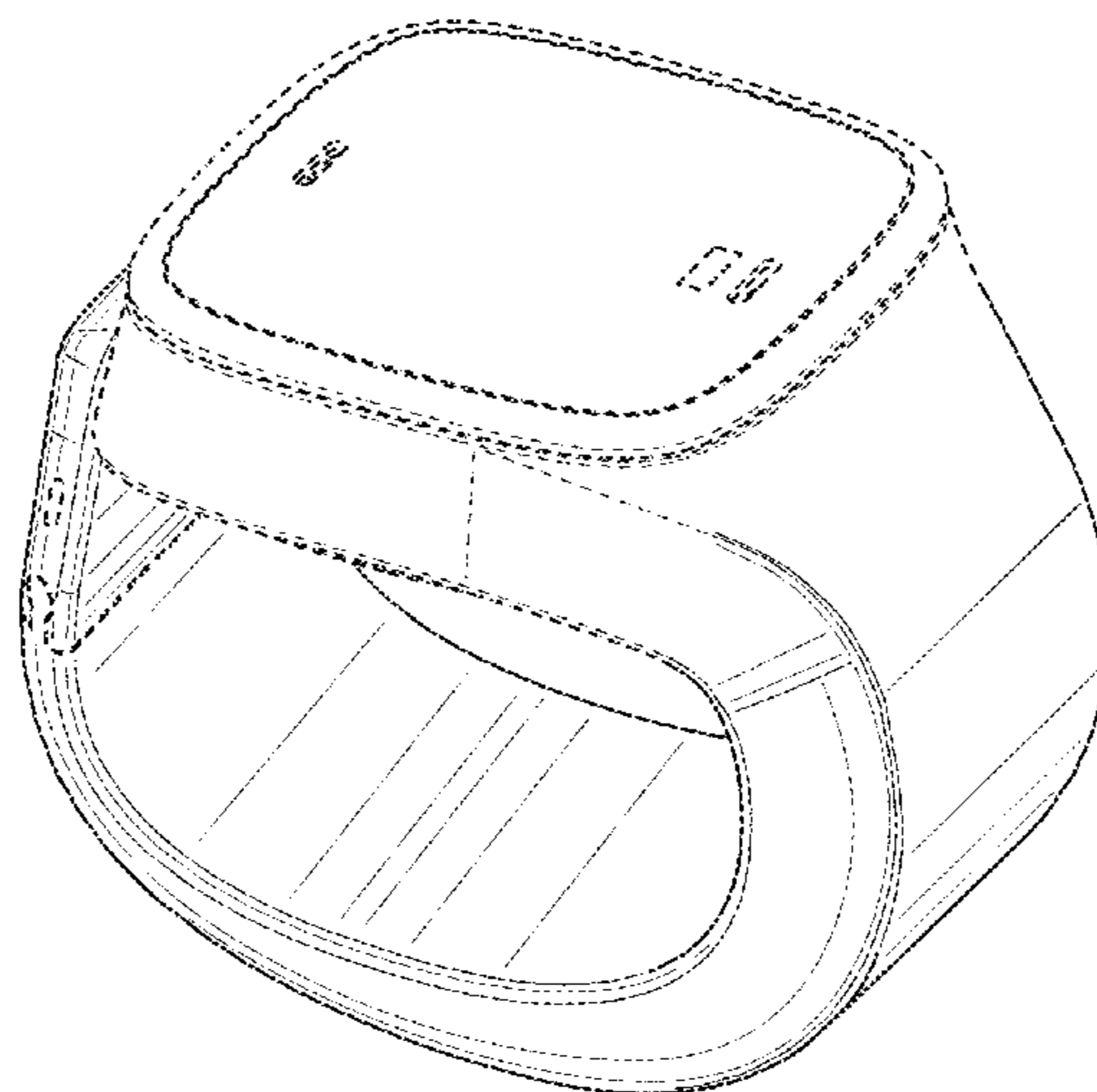
(52) **U.S. Cl.**
USPC **D10/70; D10/78**

(58) **Field of Classification Search**
CPC G08G 1/096883; G08G 1/096872;
G08G 1/096775; G01C 21/16; G01C 21/3688;
G01C 21/30; G01V 8/20; G01J 5/02; G01J
5/023; G01J 5/24; G01J 5/10; G01J 5/20;
G01J 5/0235; G01J 5/08; G01J 5/0853;
G01J 5/33; G01J 5/34
USPC D10/30–39, 65, 70, 78, 97, 98, 103;
D11/3; D13/173–177; D14/138 R,
D14/203.5, 247, 338–340, 344, 346, 347;
D24/167, 168

FIG. 1 is an isometric view of an embodiment of our design for a band for a wearable device;
FIG. 2 is a top view of the design for a band for a wearable device shown in FIG. 1;
FIG. 3 is a bottom view of the design for a band for a wearable device shown in FIG. 1;
FIG. 4 is a left side view of the design for a band for a wearable device shown in FIG. 1;
FIG. 5 is a right side view of the design for a band for a wearable device shown in FIG. 1;
FIG. 6 is an end view of the design for a band for a wearable device shown in FIG. 1; and,
FIG. 7 is a second end view of the design for a band for a wearable device shown in FIG. 1.
The broken lines in the Figures are for illustrative purposes only and form no part of the claimed design.

See application file for complete search history.

1 Claim, 7 Drawing Sheets



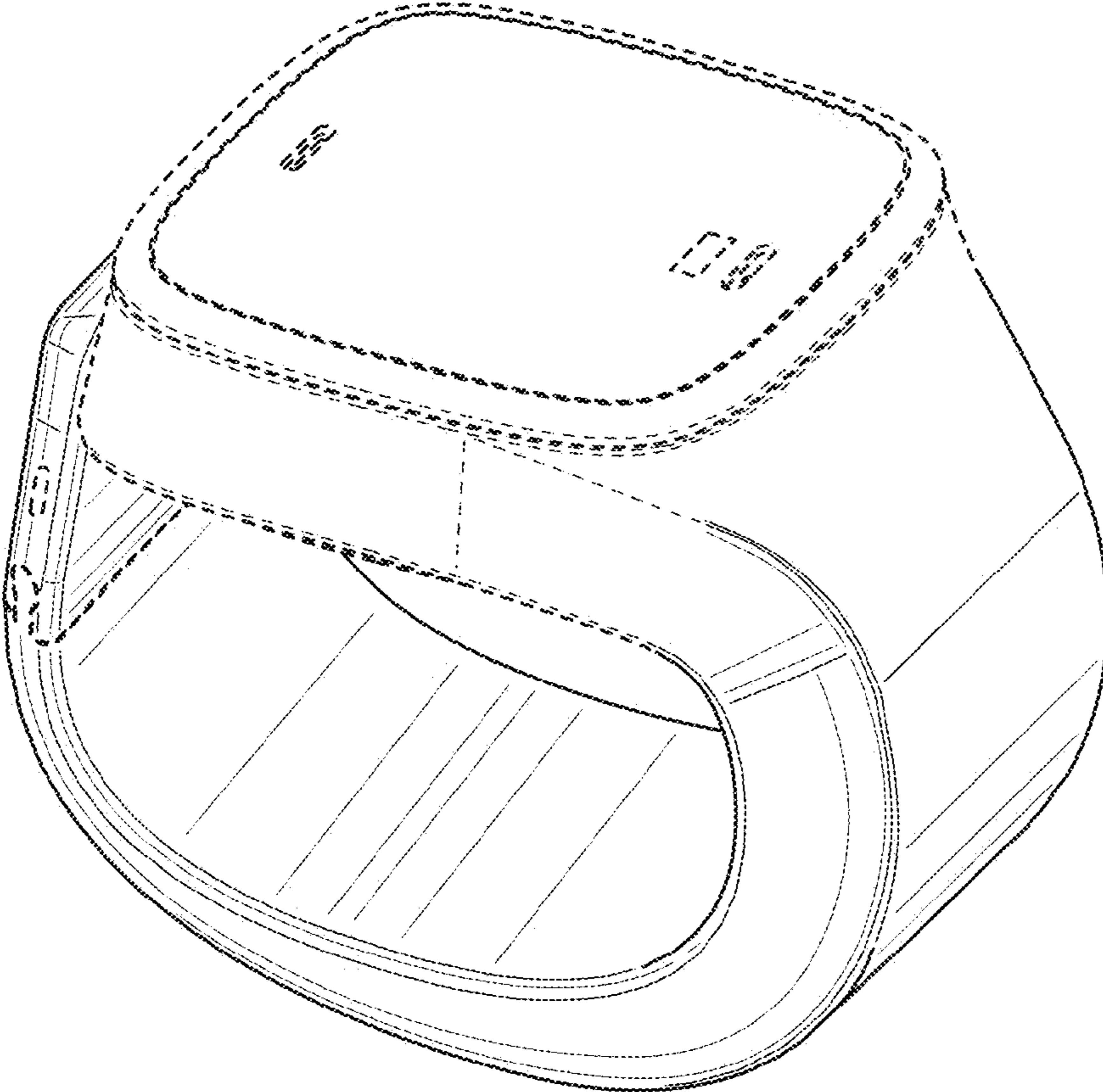


FIG. 1

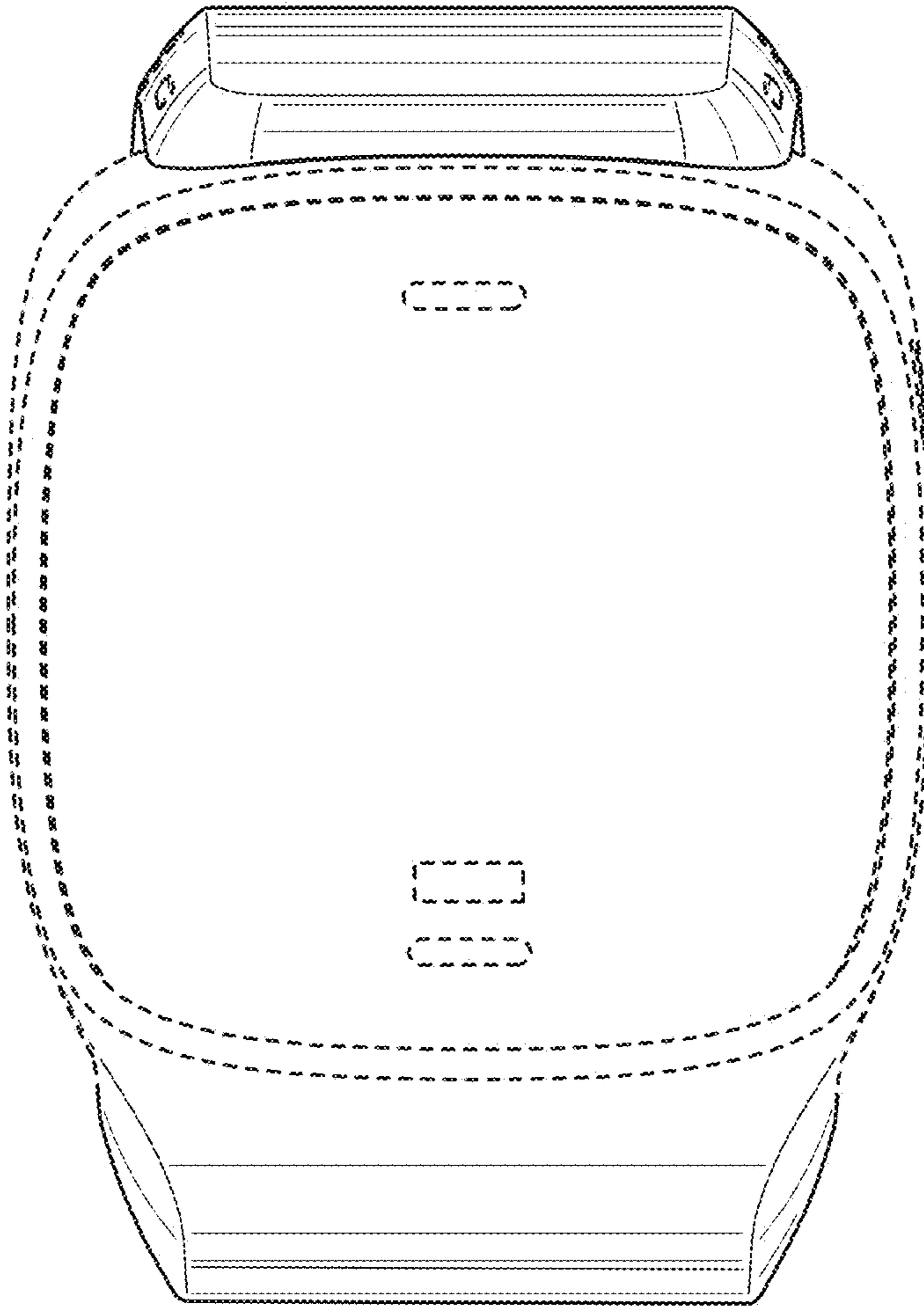


FIG. 2

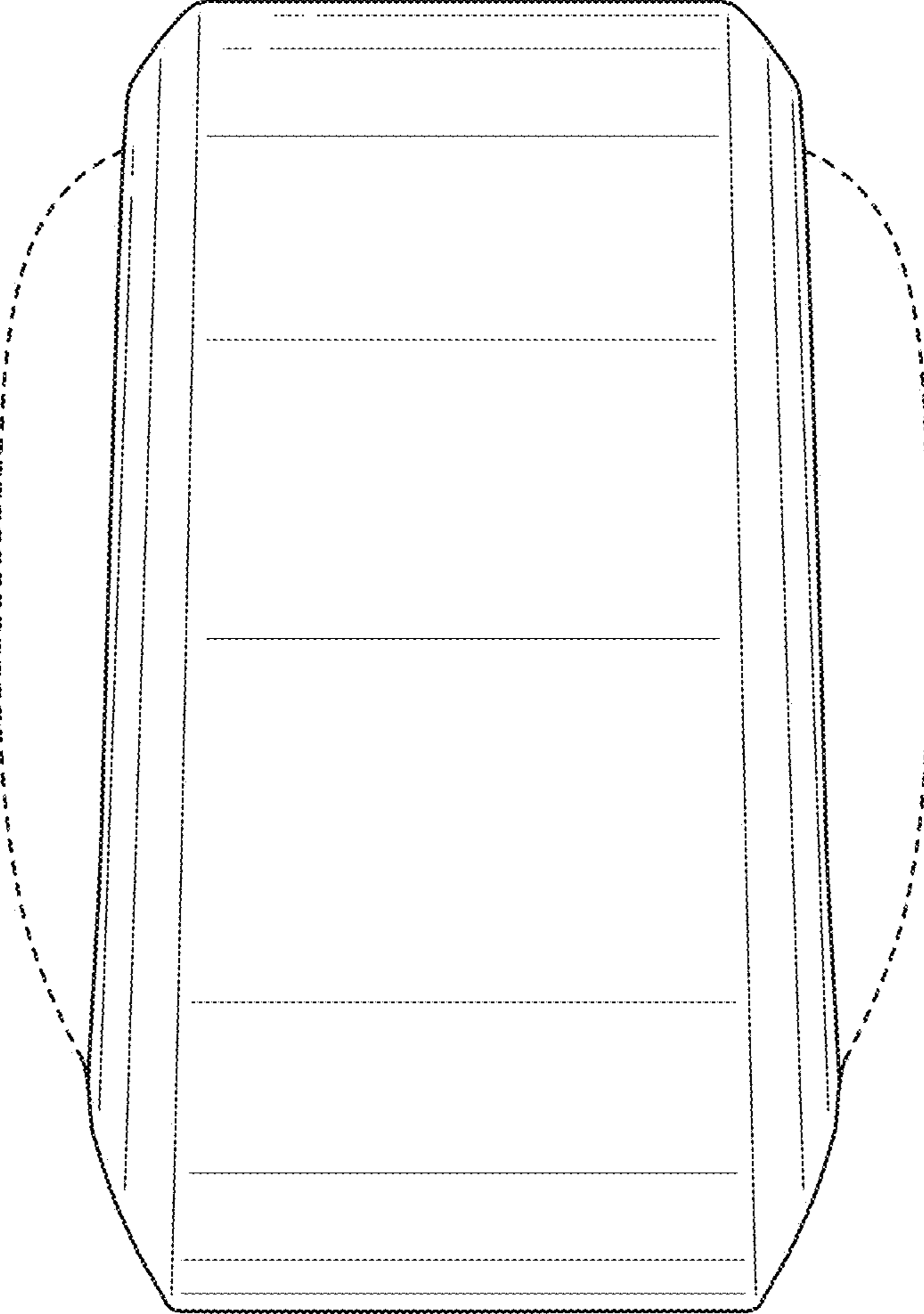


FIG. 3

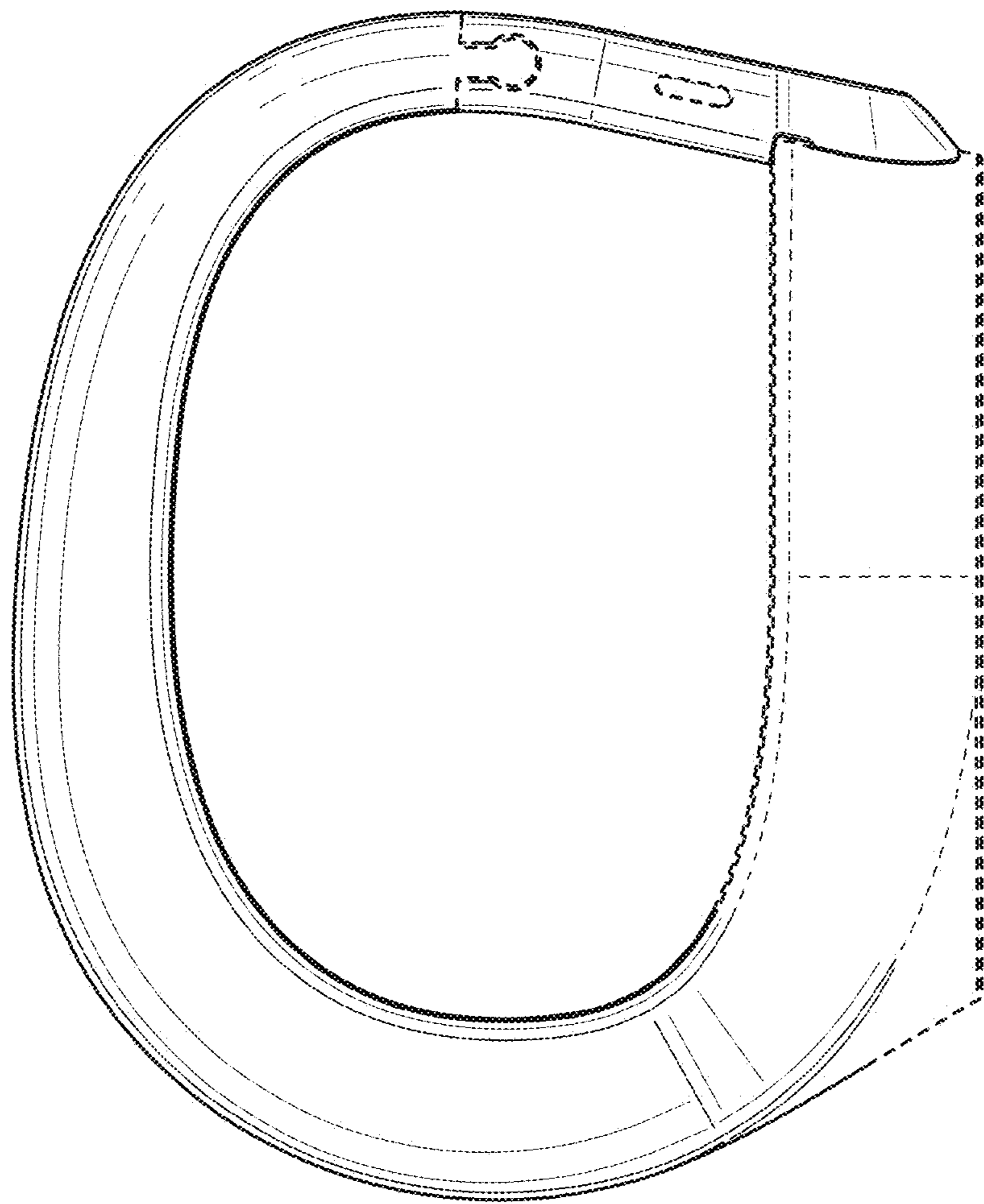


FIG. 4

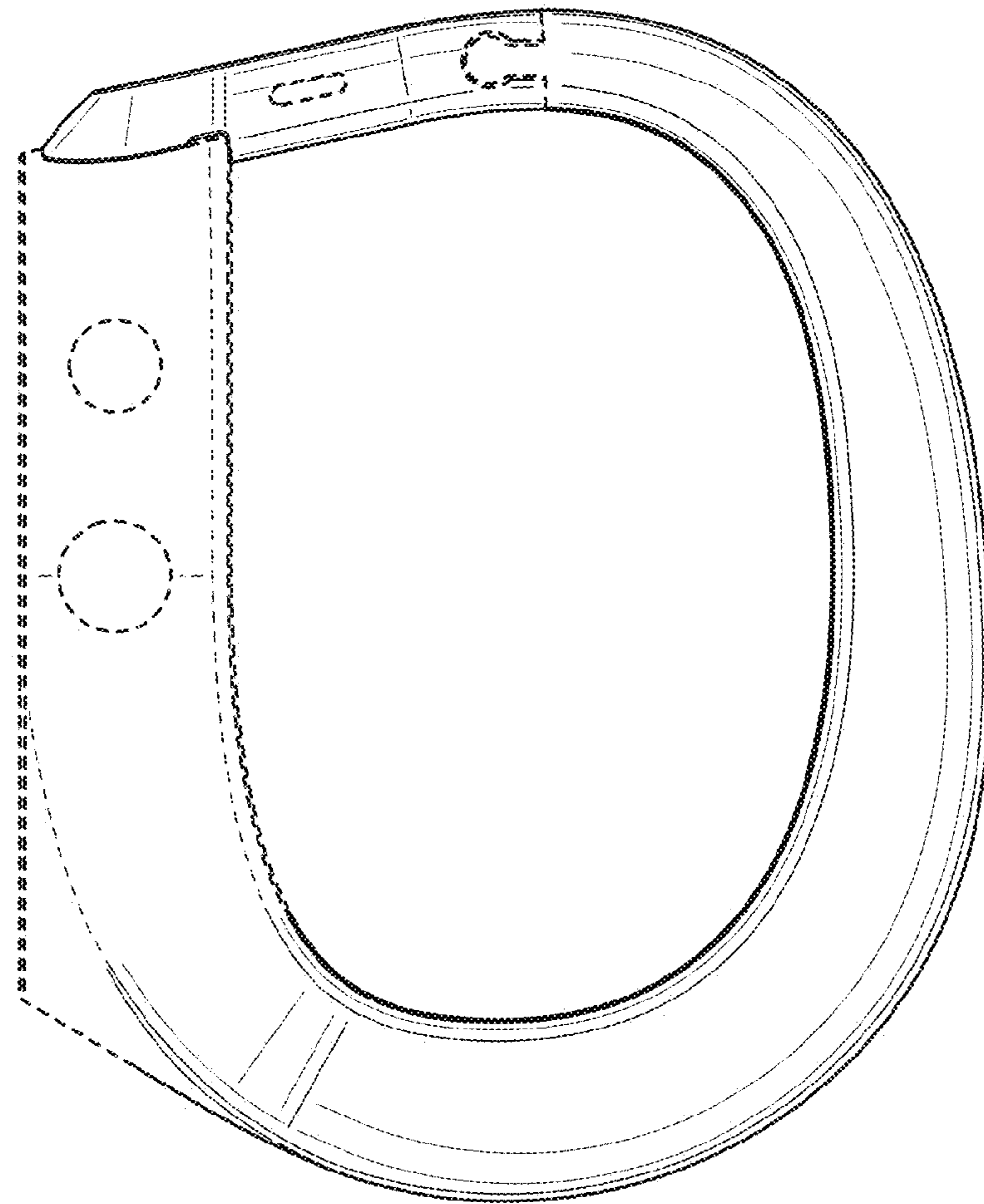


FIG. 5

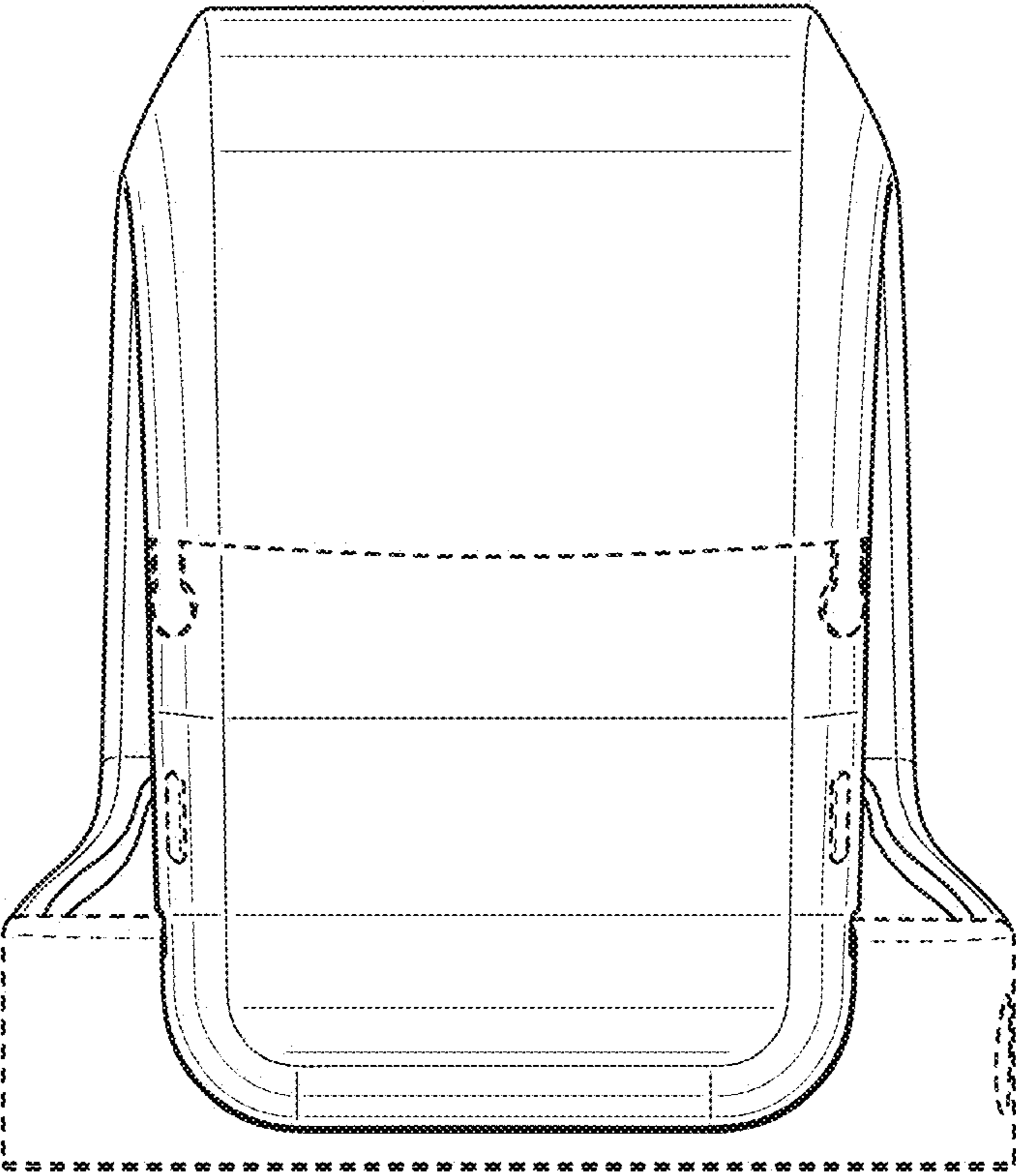


FIG. 6

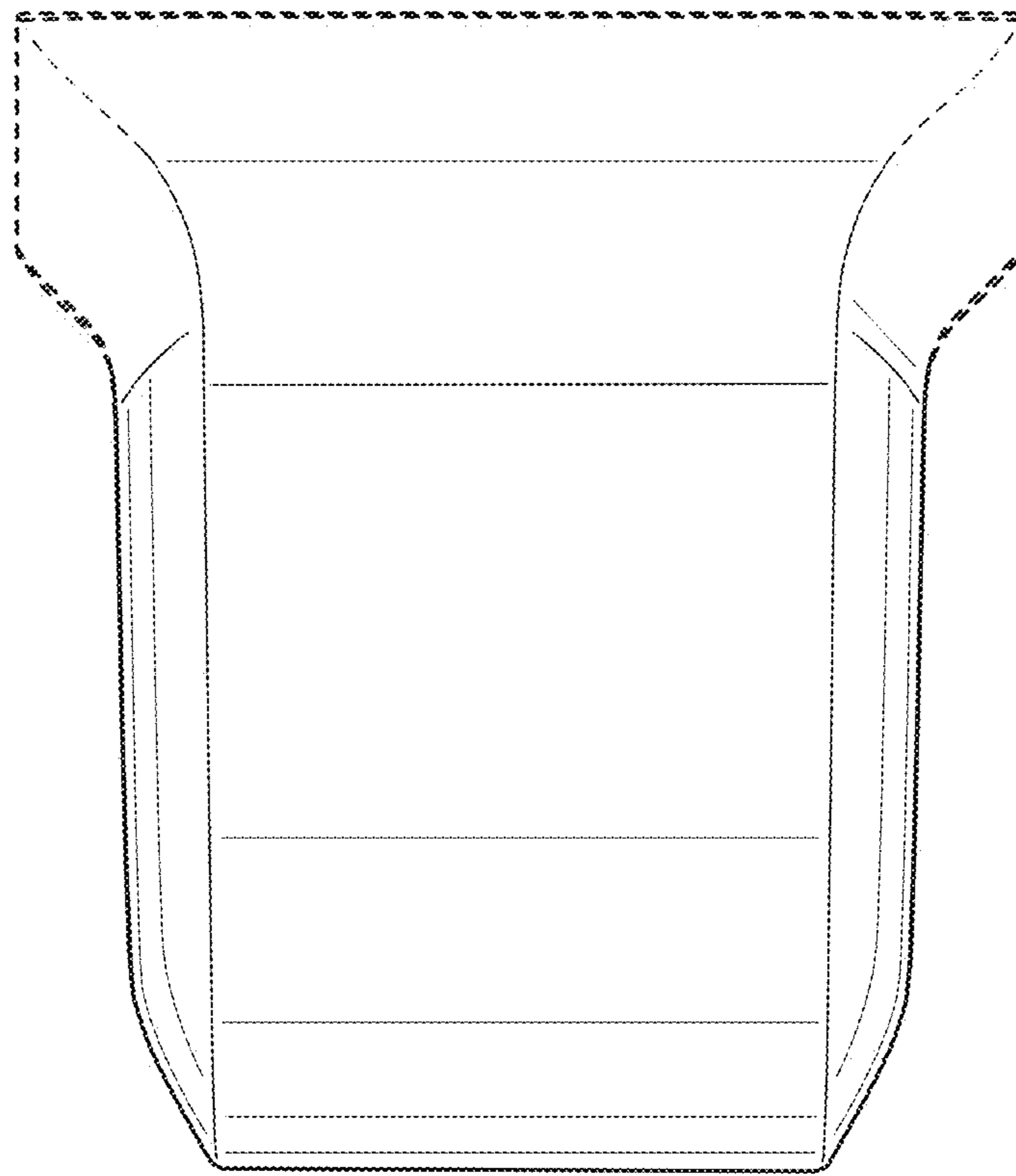


FIG. 7