



US00D729077S

(12) **United States Design Patent**  
**Kamilindi**

(10) **Patent No.:** **US D729,077 S**

(45) **Date of Patent:** **\*\* May 12, 2015**

(54) **WATCH**

(71) Applicant: **Harry Winston SA**, Plan-les-Ouates (CH)

(72) Inventor: **Steve Kamilindi**, Geneva (CH)

(73) Assignee: **Harry Winston SA**, Plan-les-Ouates (CH)

(\*\*) Term: **14 Years**

(21) Appl. No.: **29/501,964**

(22) Filed: **Sep. 10, 2014**

(30) **Foreign Application Priority Data**

Mar. 10, 2014 (WO) ..... DM/083 091

(51) **LOC (10) Cl.** ..... **10-02**

(52) **U.S. Cl.**  
USPC ..... **D10/39**

(58) **Field of Classification Search**

CPC .... G04B 19/06; G04B 45/0061; G04B 47/04;  
G04B 4/005

USPC ..... D10/30-39, 122-132; 368/276, 281,  
368/282, 223, 228, 232, 233

See application file for complete search history.

(56) **References Cited**

**U.S. PATENT DOCUMENTS**

3,332,230 A \* 7/1967 Pawl ..... 368/27  
D385,805 S \* 11/1997 Giardiello ..... D10/39  
D474,118 S \* 5/2003 Monachon ..... D10/32  
D477,236 S \* 7/2003 Robert-Tissot ..... D10/39

D507,974 S \* 8/2005 Strasser ..... D10/30  
D554,005 S \* 10/2007 Laucella ..... D10/39  
D559,130 S \* 1/2008 Laucella ..... D10/39  
D570,230 S \* 6/2008 Monachon ..... D10/32  
D592,980 S \* 5/2009 Laucella ..... D10/39  
D627,243 S \* 11/2010 Deleskiewicz et al. .... D10/39  
D628,506 S \* 12/2010 Plange ..... D10/124  
D631,763 S \* 2/2011 Vollet ..... D10/32  
D677,586 S \* 3/2013 Graff ..... D10/39  
D687,724 S \* 8/2013 Jamin ..... D10/39  
D704,077 S \* 5/2014 Monachon ..... D10/32  
D704,574 S \* 5/2014 Lasserre ..... D10/39  
D706,142 S \* 6/2014 Monachon ..... D10/32

\* cited by examiner

*Primary Examiner* — Lucy Lieberman

(74) *Attorney, Agent, or Firm* — Donald J. Ranft; Kristen A. Mogavero; Collen IP

(57) **CLAIM**

The ornamental design for a watch, as shown.

**DESCRIPTION**

FIG. 1 is a front right perspective view of a watch showing my new design;

FIG. 2 is a front view thereof;

FIG. 3 is a rear view thereof;

FIG. 4 is a left side view thereof;

FIG. 5 is a right side view thereof;

FIG. 6 is a top view thereof;

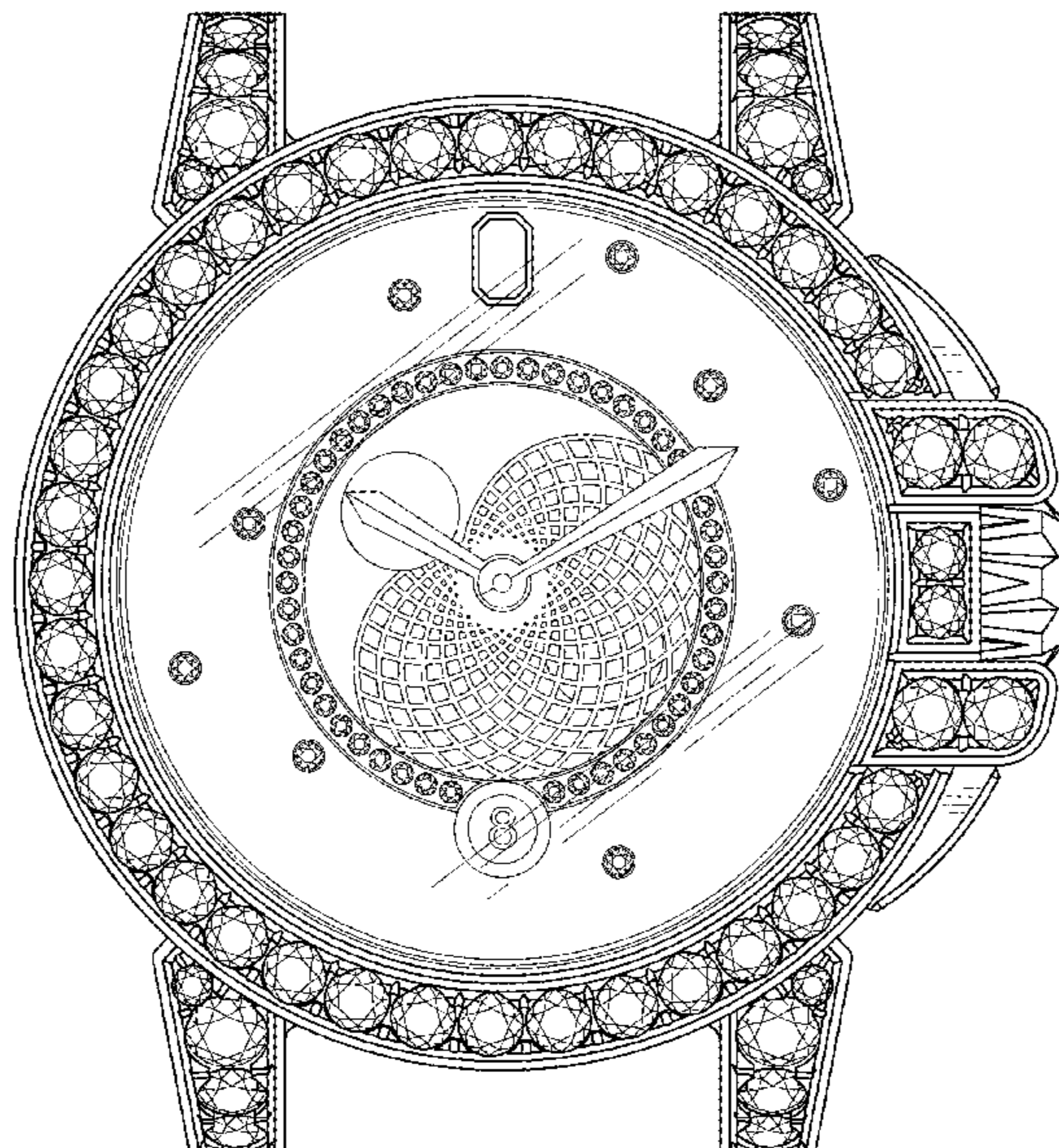
FIG. 7 is a bottom view thereof;

FIG. 8 is a rear left perspective view thereof;

FIG. 9 is a front left perspective view; and,

FIG. 10 is a rear right perspective view thereof.

**1 Claim, 8 Drawing Sheets**



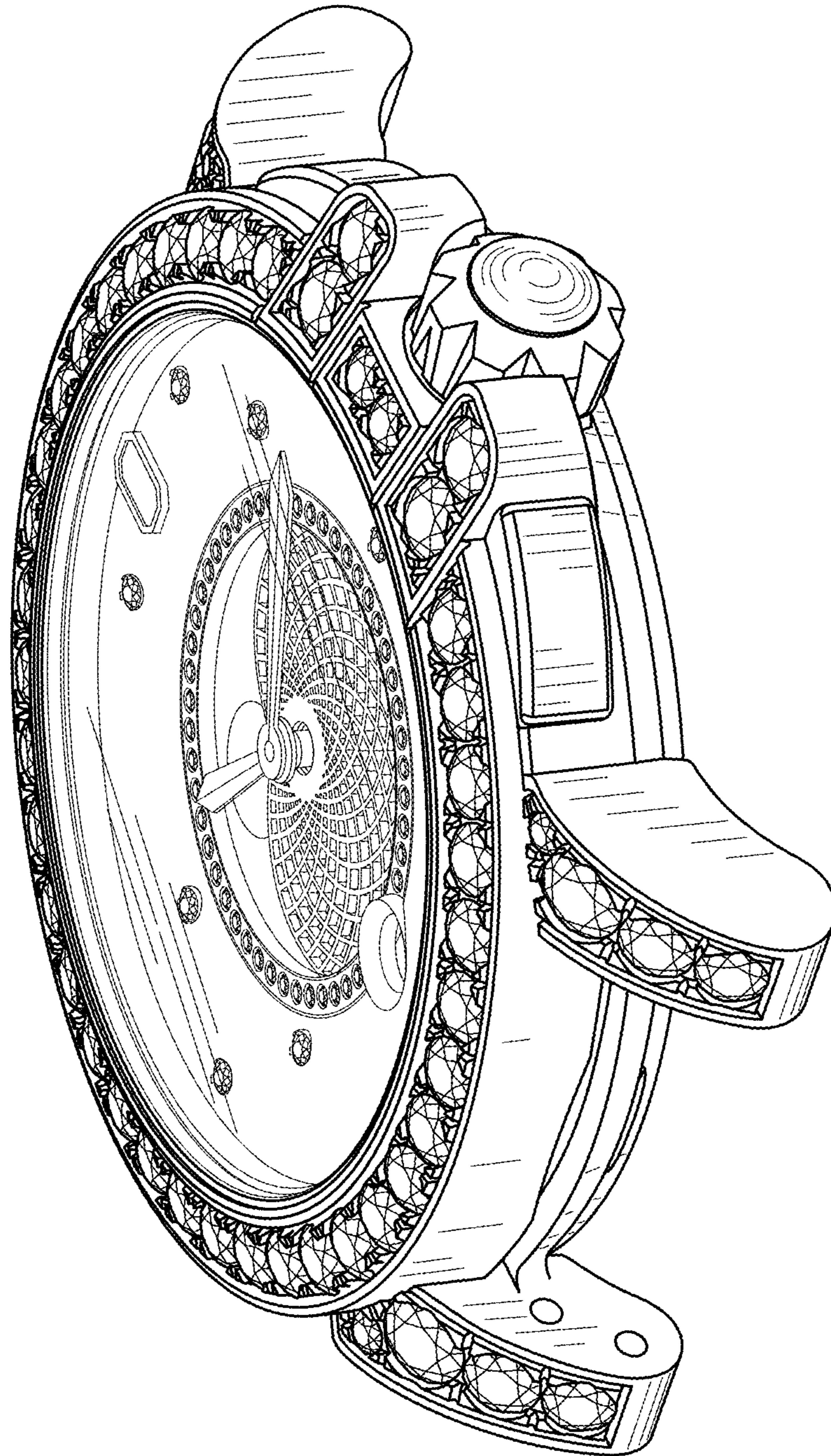


FIG. 1

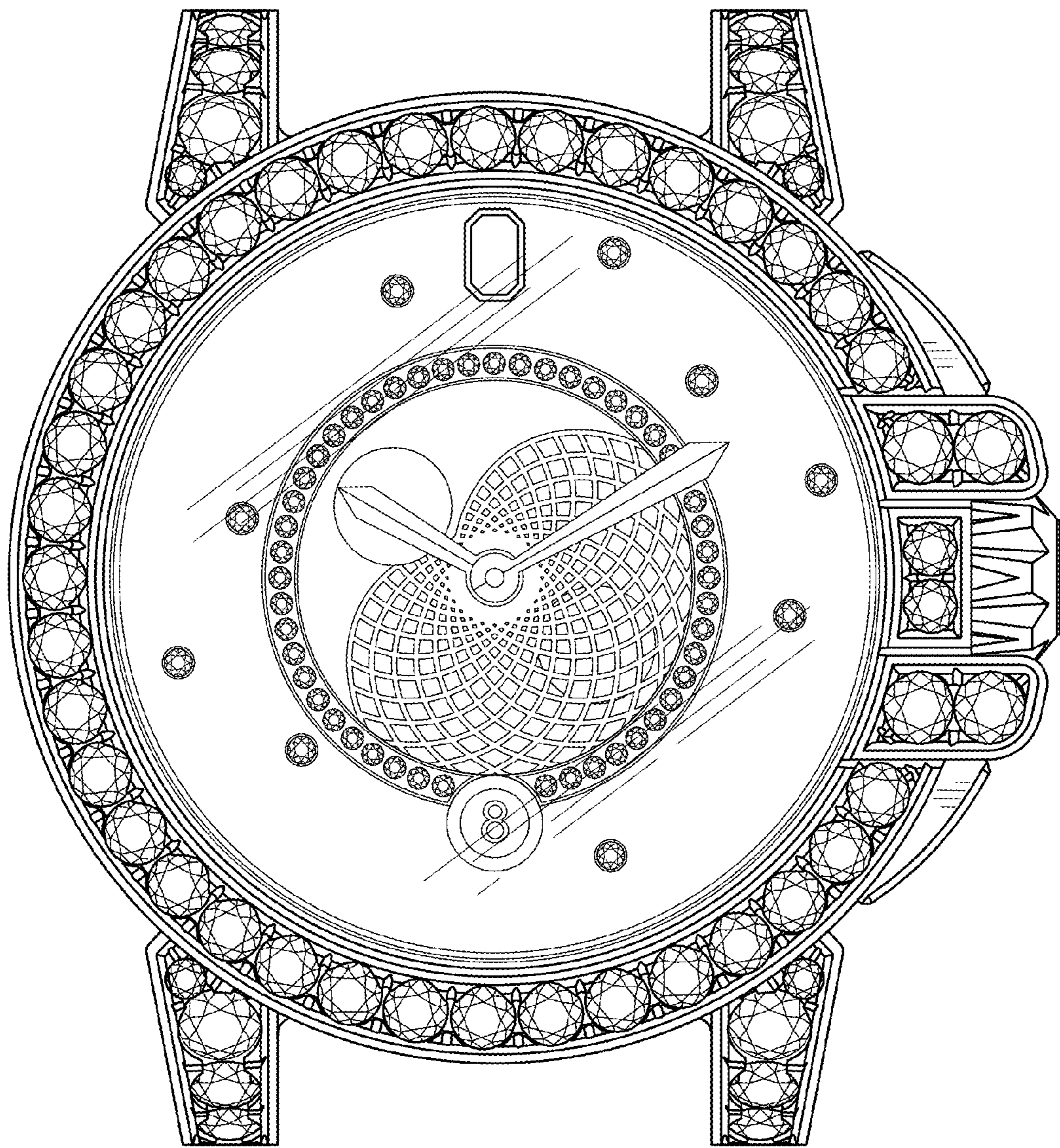


FIG. 2

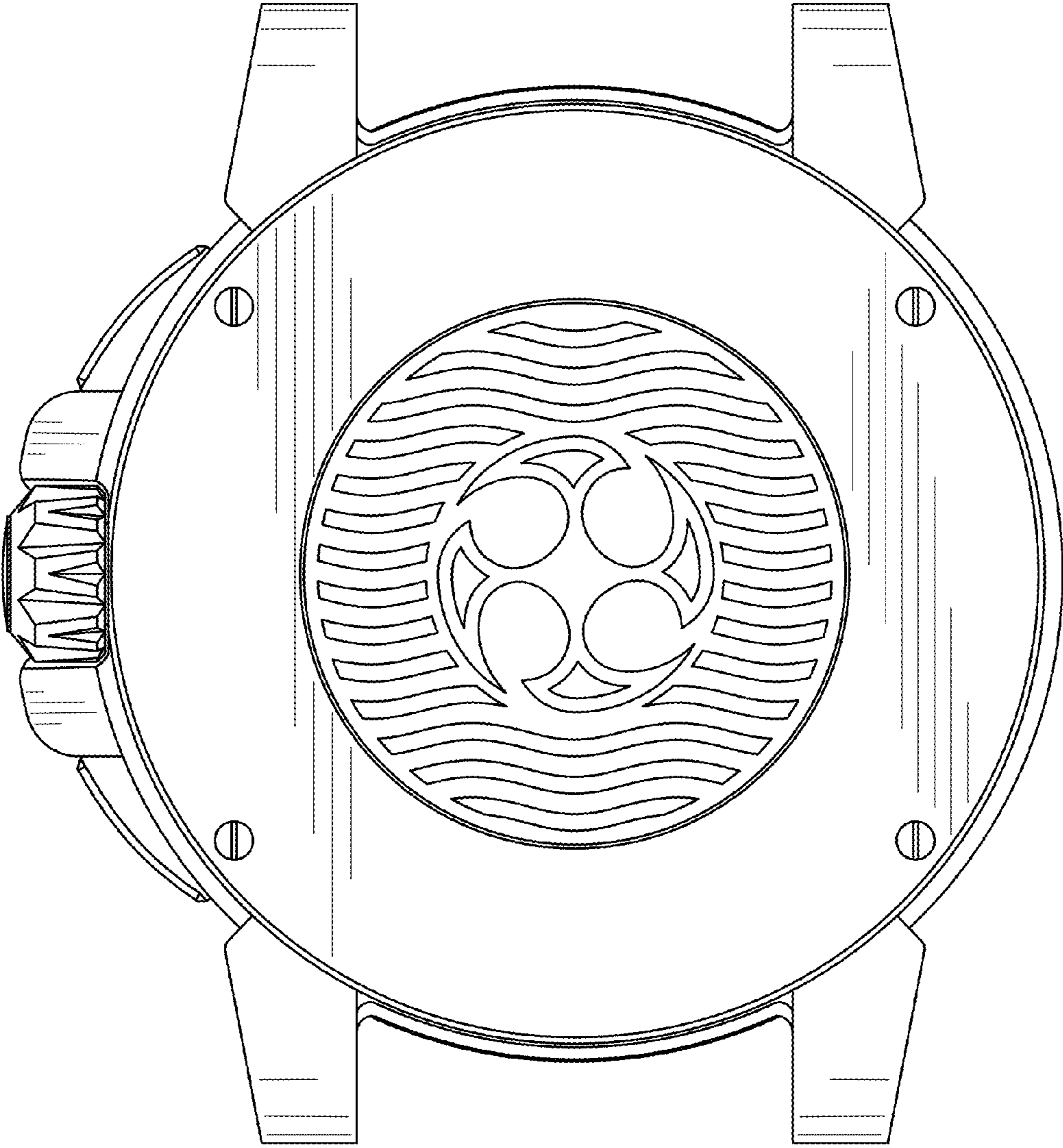


FIG. 3

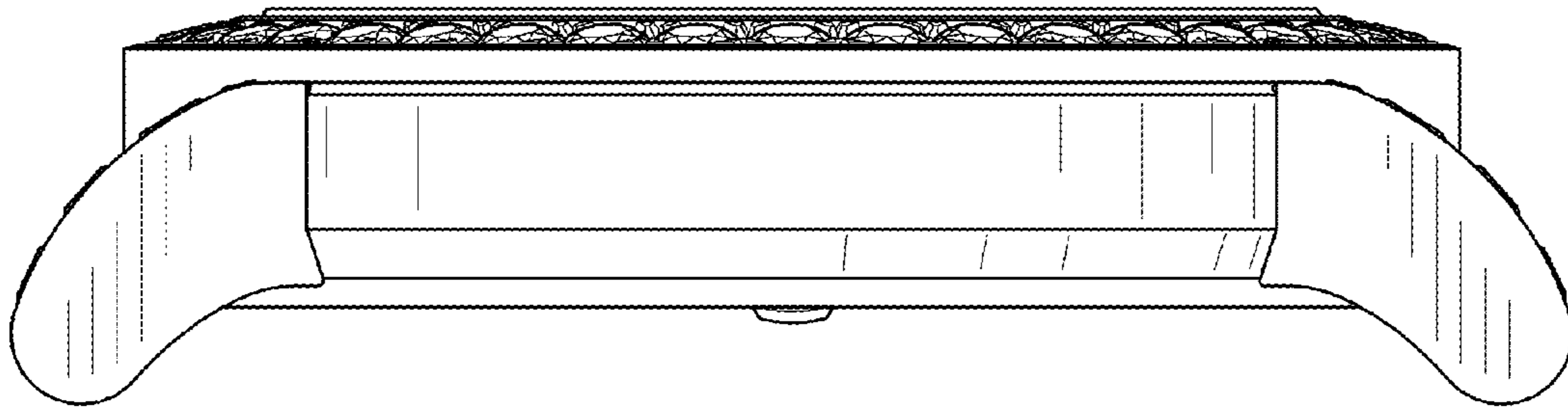


FIG. 4

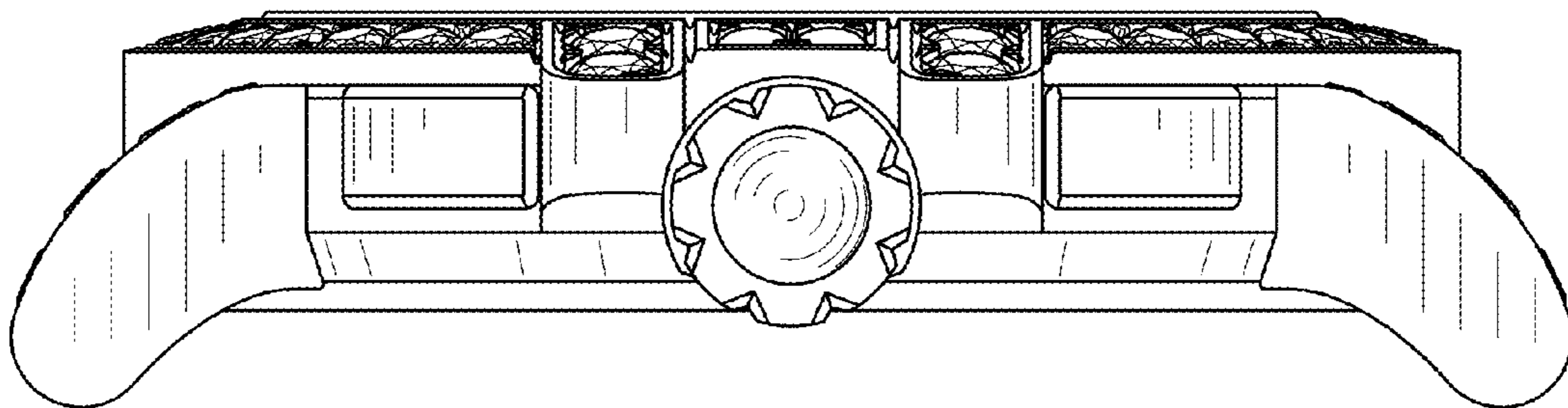


FIG. 5

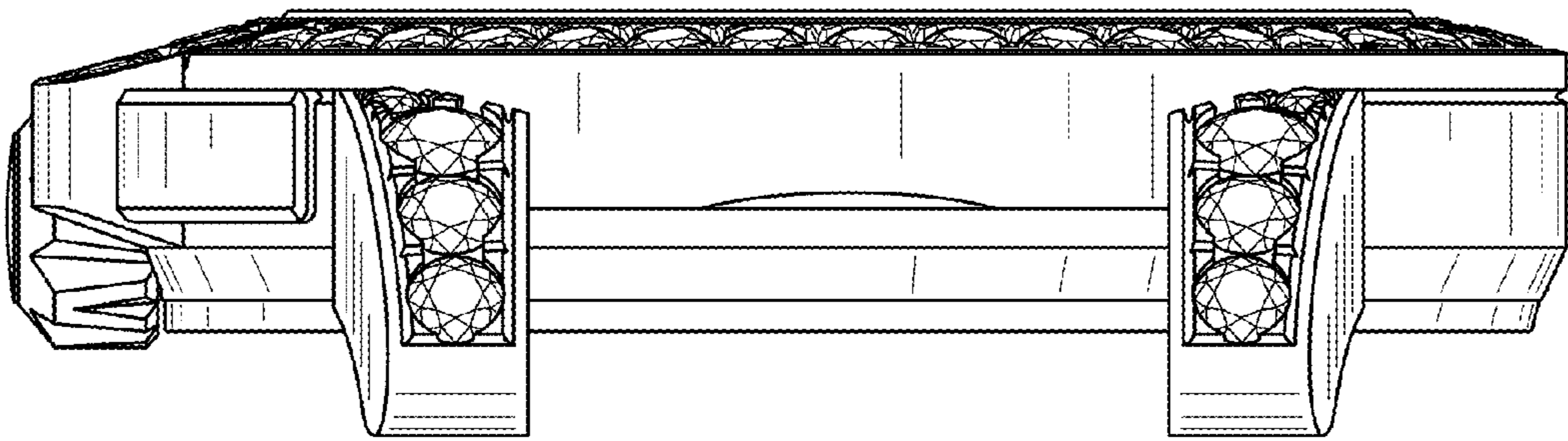


FIG. 6

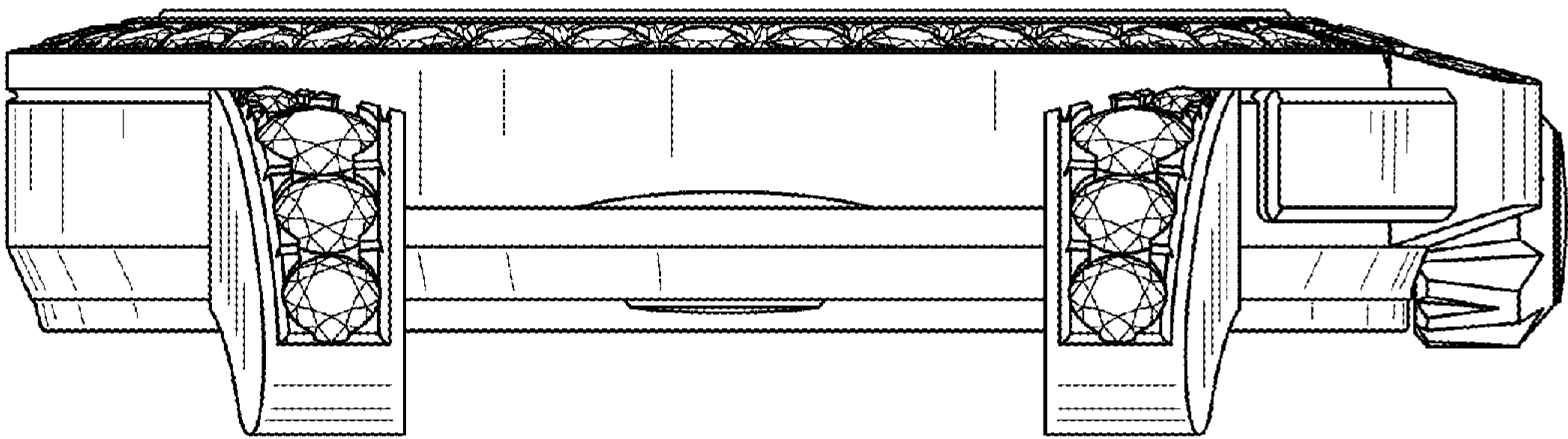


FIG. 7

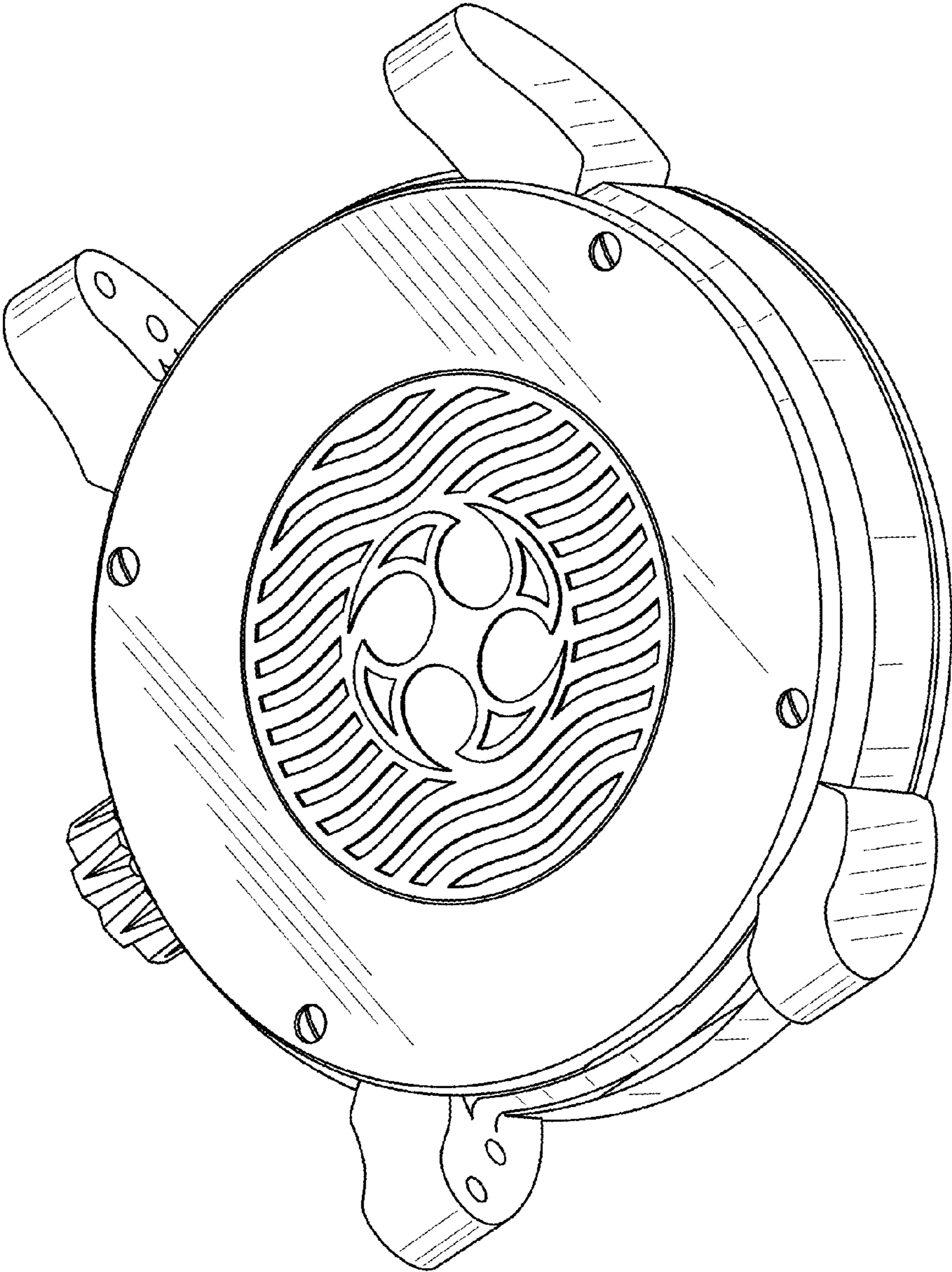


FIG. 8

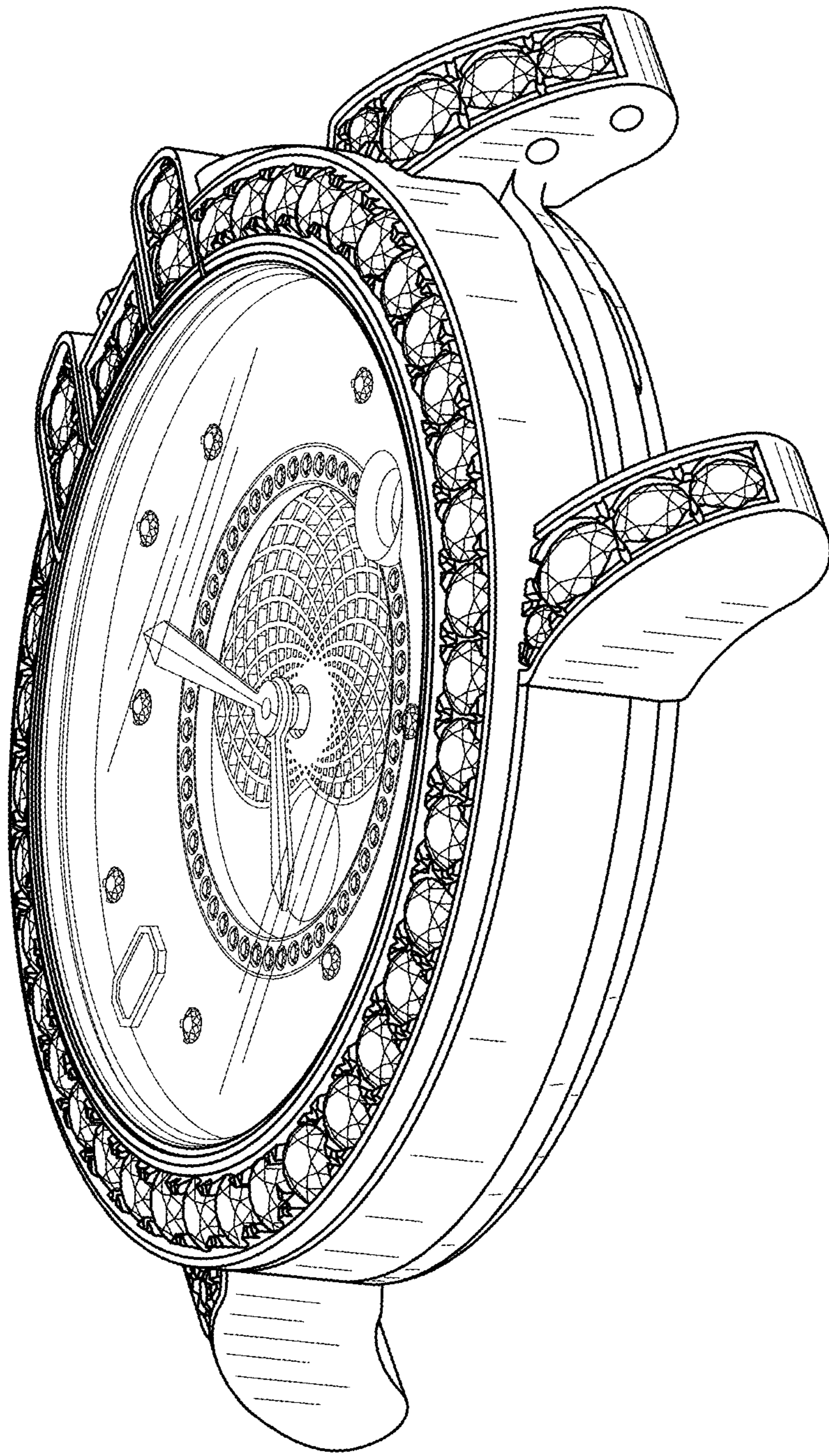


FIG. 9



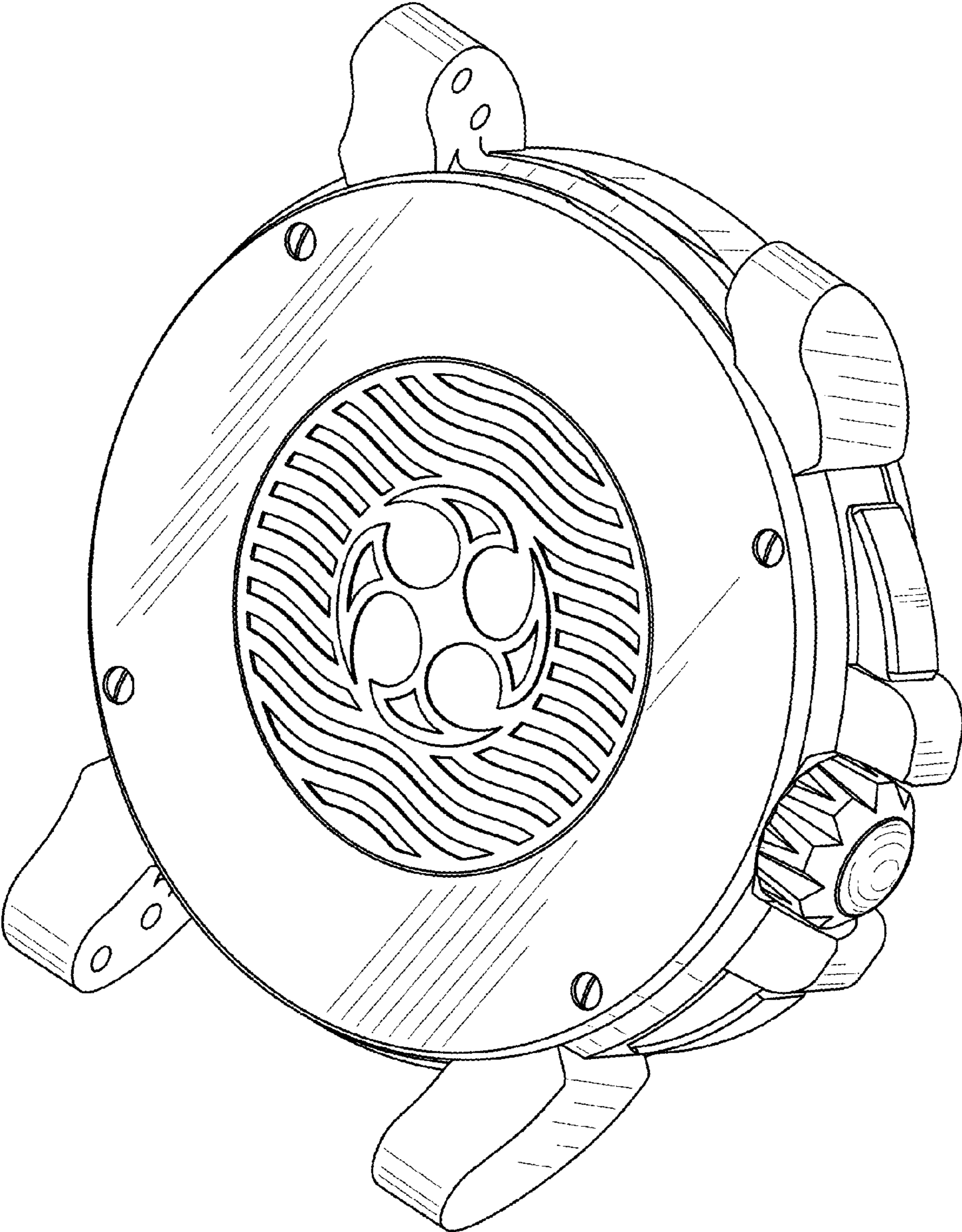


FIG. 10