



US00D729073S

(12) **United States Design Patent**
Wasilewski

(10) **Patent No.:** **US D729,073 S**

(45) **Date of Patent:** **** May 12, 2015**

(54) **FORMED BOTTLE CARRIER**

(71) Applicant: **Craig Wasilewski**, Ferndale, WA (US)

(72) Inventor: **Craig Wasilewski**, Ferndale, WA (US)

(**) Term: **14 Years**

(21) Appl. No.: **29/447,516**

(22) Filed: **Mar. 4, 2013**

(51) **LOC (10) Cl.** **09-03**

(52) **U.S. Cl.**
USPC **D9/753**

(58) **Field of Classification Search**

USPC D9/434, 455, 499, 753; D3/309, 229,
D3/315; 206/142, 162, 486, 549, 775, 145,
206/427, 429, 434, 175, 193; 229/89,
229/117.17, 934

See application file for complete search history.

(56) **References Cited**

U.S. PATENT DOCUMENTS

D169,318 S * 4/1953 Kelley et al. D3/315
D280,773 S * 9/1985 Addy et al. D3/309

(Continued)

Primary Examiner — Catheri Oliver-Garcia

(74) *Attorney, Agent, or Firm* — Dwayne E. Rogge; Schacht
Law Office, Inc.

(57) **CLAIM**

The ornamental design for a formed bottle carrier, as shown
and described.

DESCRIPTION

FIG. 1 is a top front isometric view of a two-bottle variant of
the formed bottle carrier thereof.

FIG. 2 is a top view thereof.

FIG. 3 is a right side view thereof with the opposing side view
being a mirror image thereof.

FIG. 4 is a front view thereof.

FIG. 5 is a right side view thereof in use with the opposing
side view being a mirror image thereof.

FIG. 6 is a front view thereof in use.

FIG. 7 is a top view thereof in use.

FIG. 8 is a top front isometric view thereof in use.

FIG. 9 is a top front isometric view of a three-bottle variant of
the formed bottle carrier thereof in use.

FIG. 10 is a top view thereof in use.

FIG. 11 is a right side view thereof with the opposing side
view being a mirror image thereof in use.

FIG. 12 is a front view thereof in use.

FIG. 13 is a top front isometric view of a three-bottle variant
of the formed bottle carrier thereof.

FIG. 14 is a top view thereof.

FIG. 15 is a right view thereof with the opposing side view
being a mirror image thereof.

FIG. 16 is a front view thereof.

FIG. 17 is a top front isometric view of a four-bottle variant of
the formed bottle carrier thereof in use.

FIG. 18 is a top view thereof in use.

FIG. 19 is a right view thereof with the opposing side view
being a mirror image thereof in use.

FIG. 20 is a front view thereof in use.

FIG. 21 is a top front isometric view of a four-bottle variant of
the formed bottle carrier thereof.

FIG. 22 is a top view thereof.

FIG. 23 is a right view thereof with the opposing side view
being a mirror image thereof.

FIG. 24 is a rear view thereof.

FIG. 25 is a top front isometric view of a single-bottle variant
of the formed bottle carrier thereof in use.

FIG. 26 is a top view thereof in use.

FIG. 27 is a front view thereof in use.

FIG. 28 is a right side view thereof with the opposing side
view being a mirror image thereof in use.

FIG. 29 is a top front isometric view of a single-bottle variant
of the formed bottle carrier thereof.

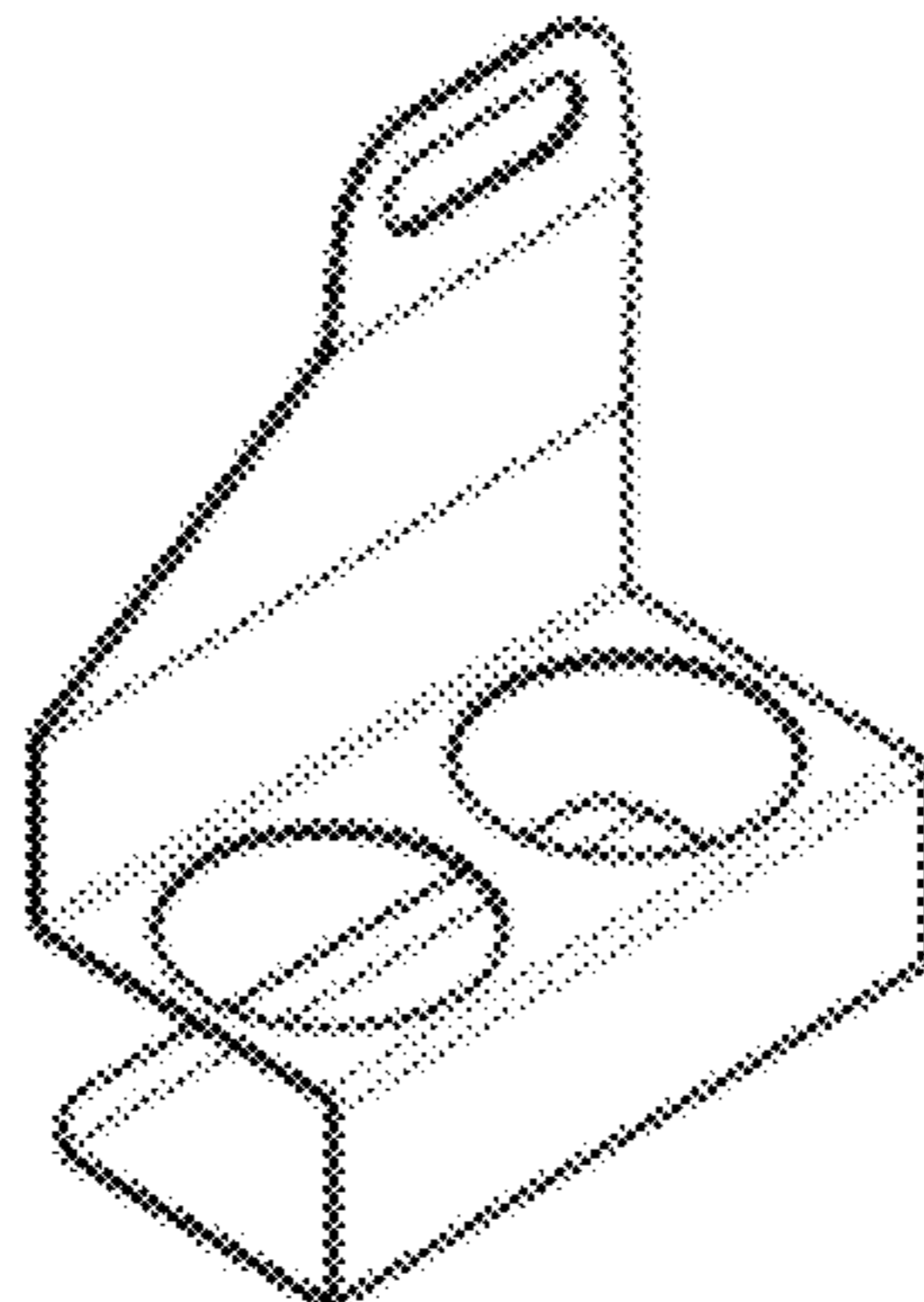
FIG. 30 is a top view thereof.

FIG. 31 is a front view thereof; and,

FIG. 32 is a right view thereof with the opposing side view
being a mirror image thereof.

Broken lines shown in the drawings are for illustrative pur-
poses only and form no part of the claimed design.

1 Claim, 4 Drawing Sheets



(56)

References Cited

U.S. PATENT DOCUMENTS

D329,968 S * 10/1992 Wiesler D3/315
5,590,776 A * 1/1997 Galbierz et al. 206/427
5,682,982 A * 11/1997 Stonehouse 206/142

5,695,232 A * 12/1997 Tipp 294/87.2
5,927,502 A * 7/1999 Hunter 206/549
7,475,772 B2 * 1/2009 Cuomo 206/162
D668,545 S * 10/2012 Cox D9/455
D709,375 S * 7/2014 Smith D9/455

* cited by examiner

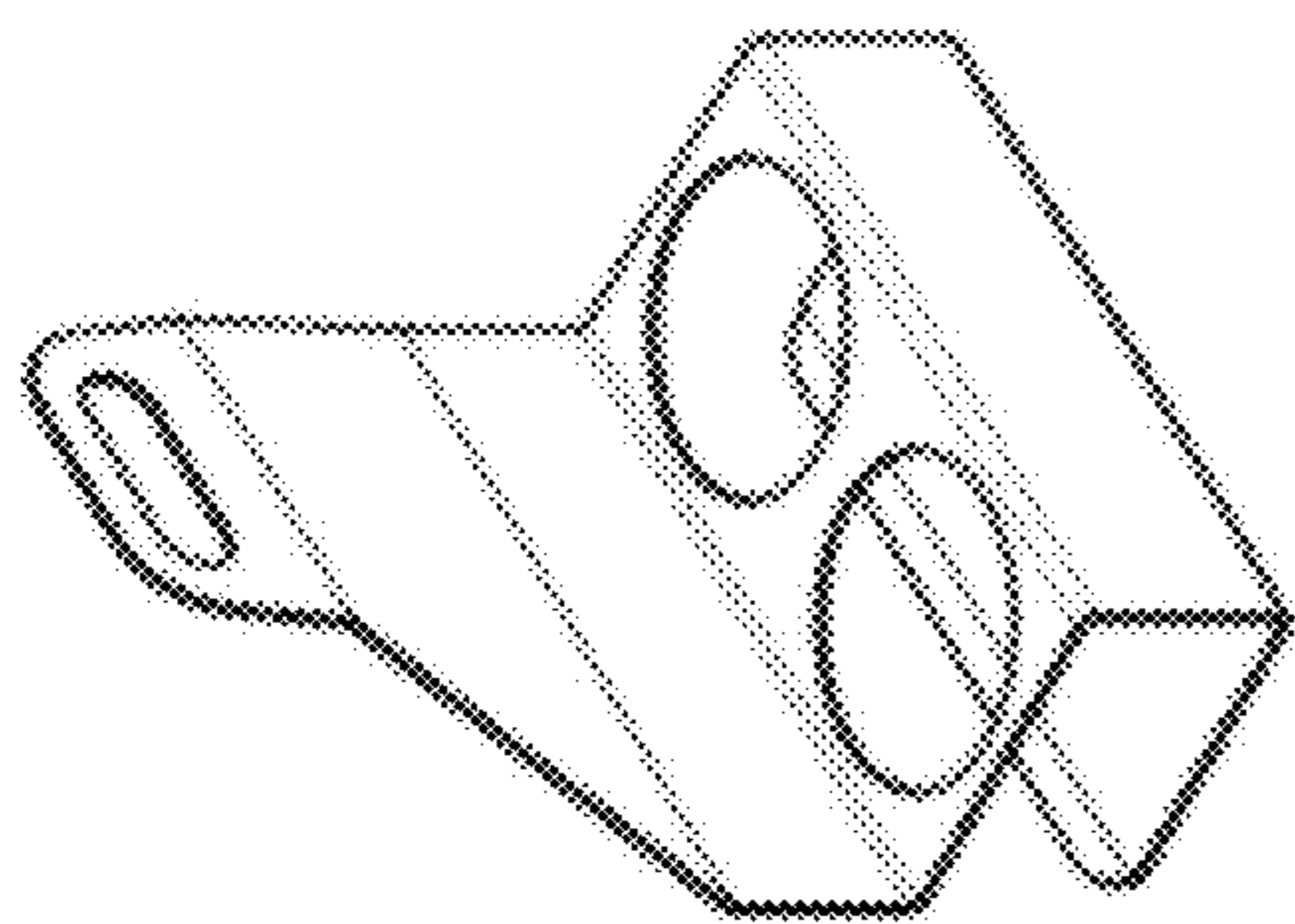


Fig. 1

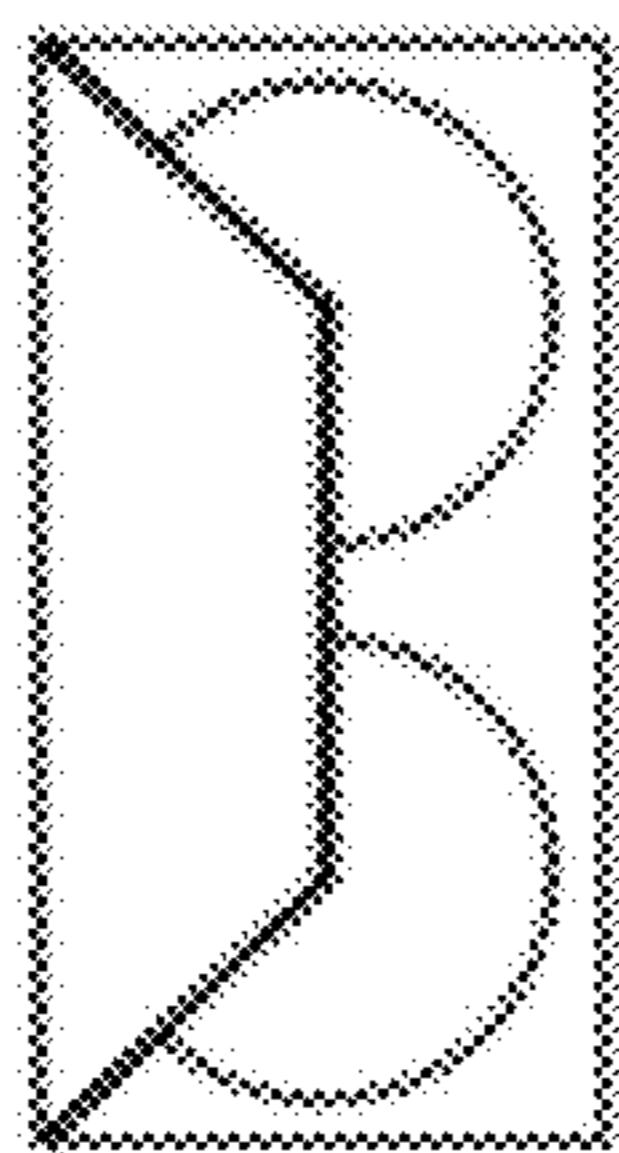


Fig. 2



Fig. 3

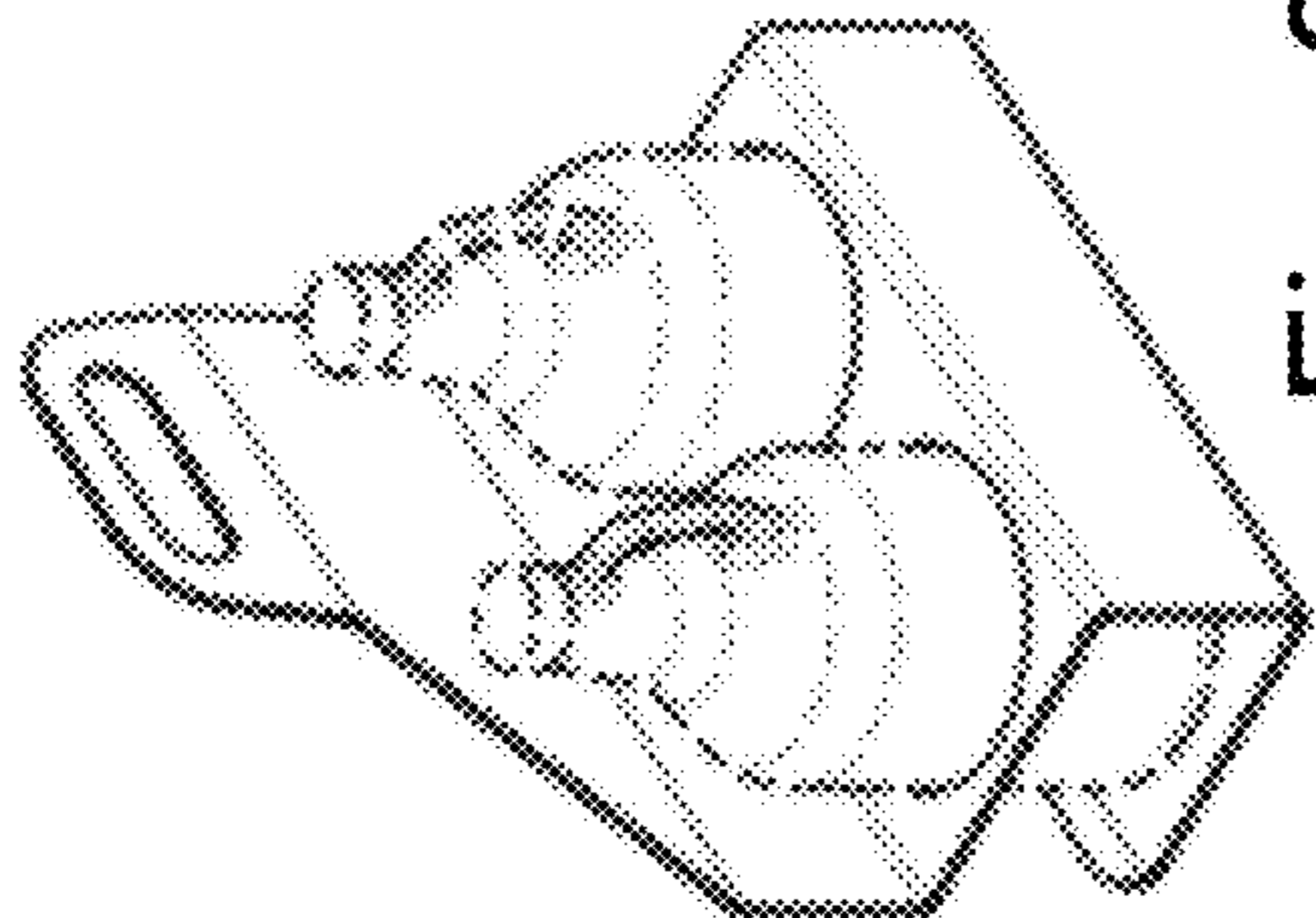


Fig. 8

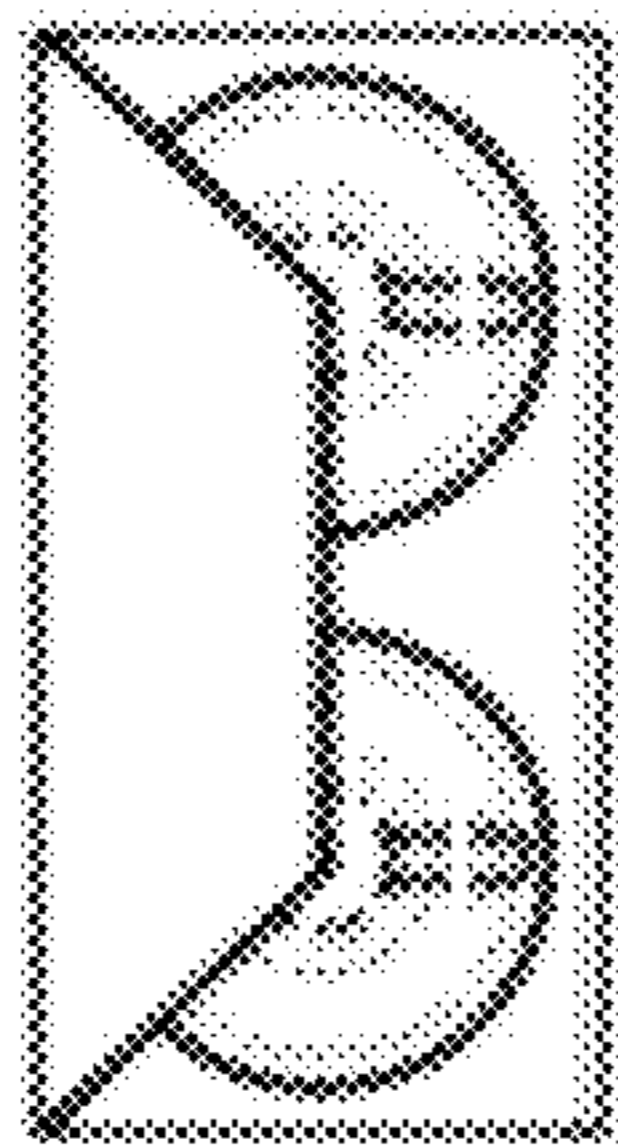


Fig. 7



Fig. 5

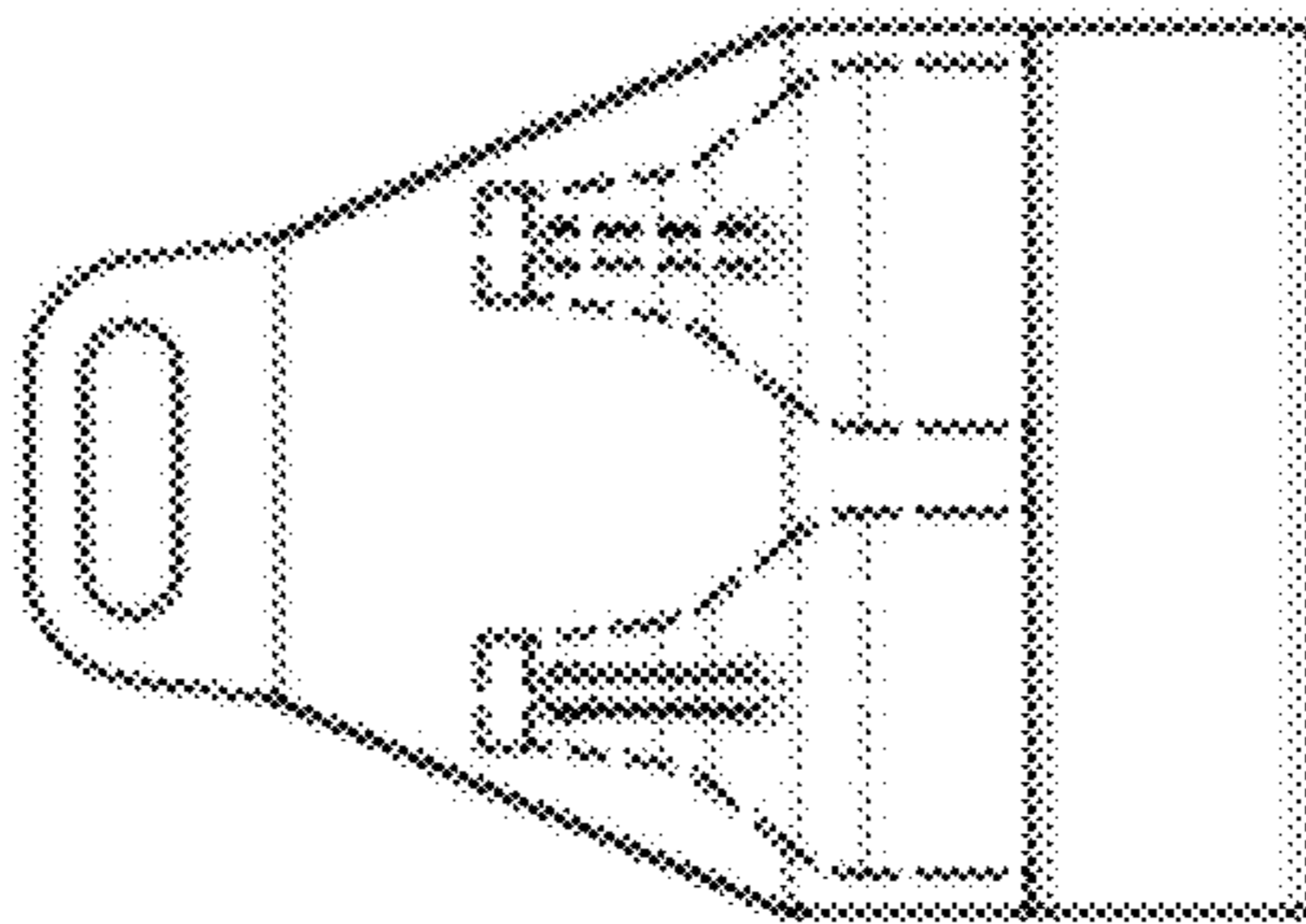


Fig. 6

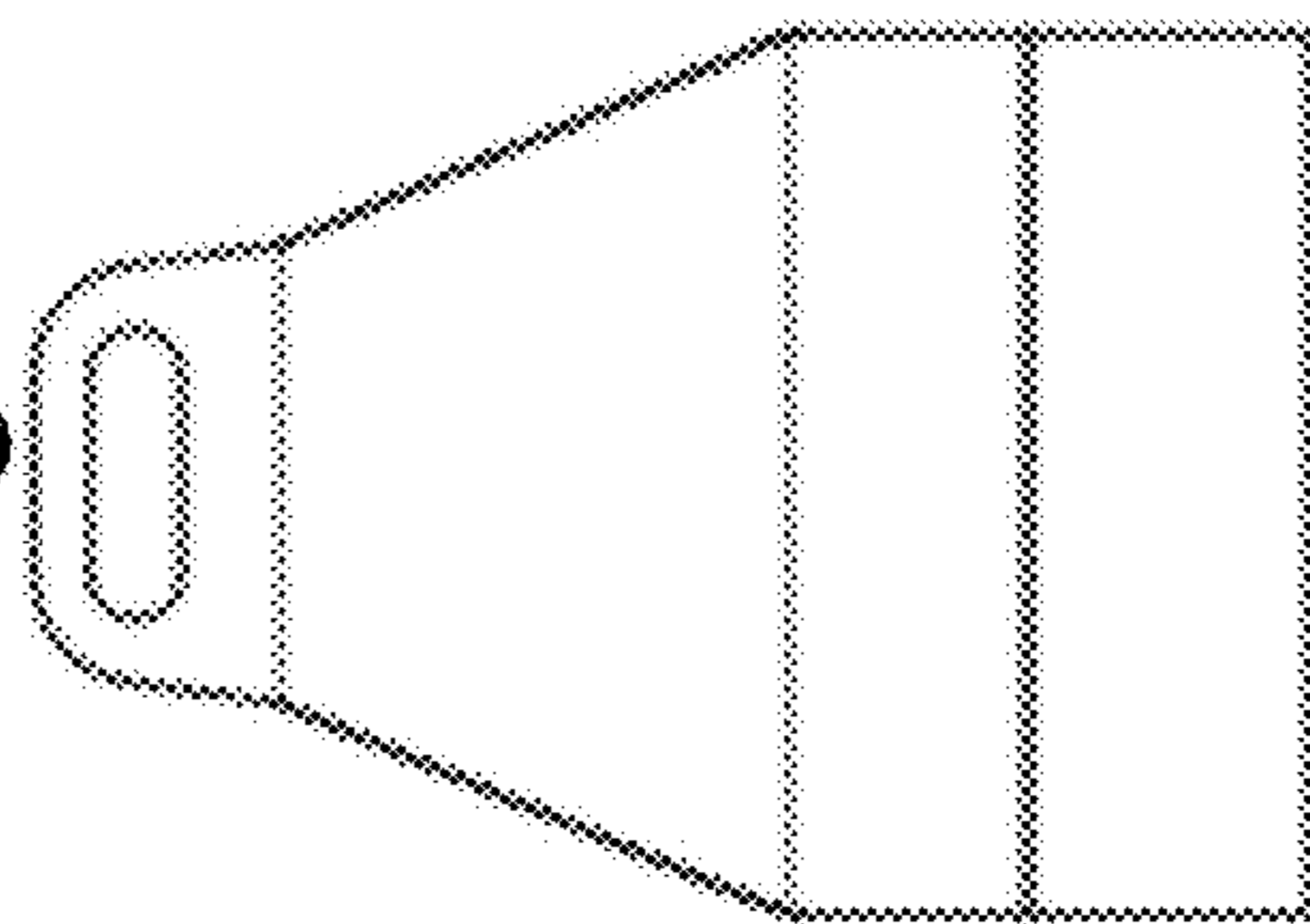


Fig. 4

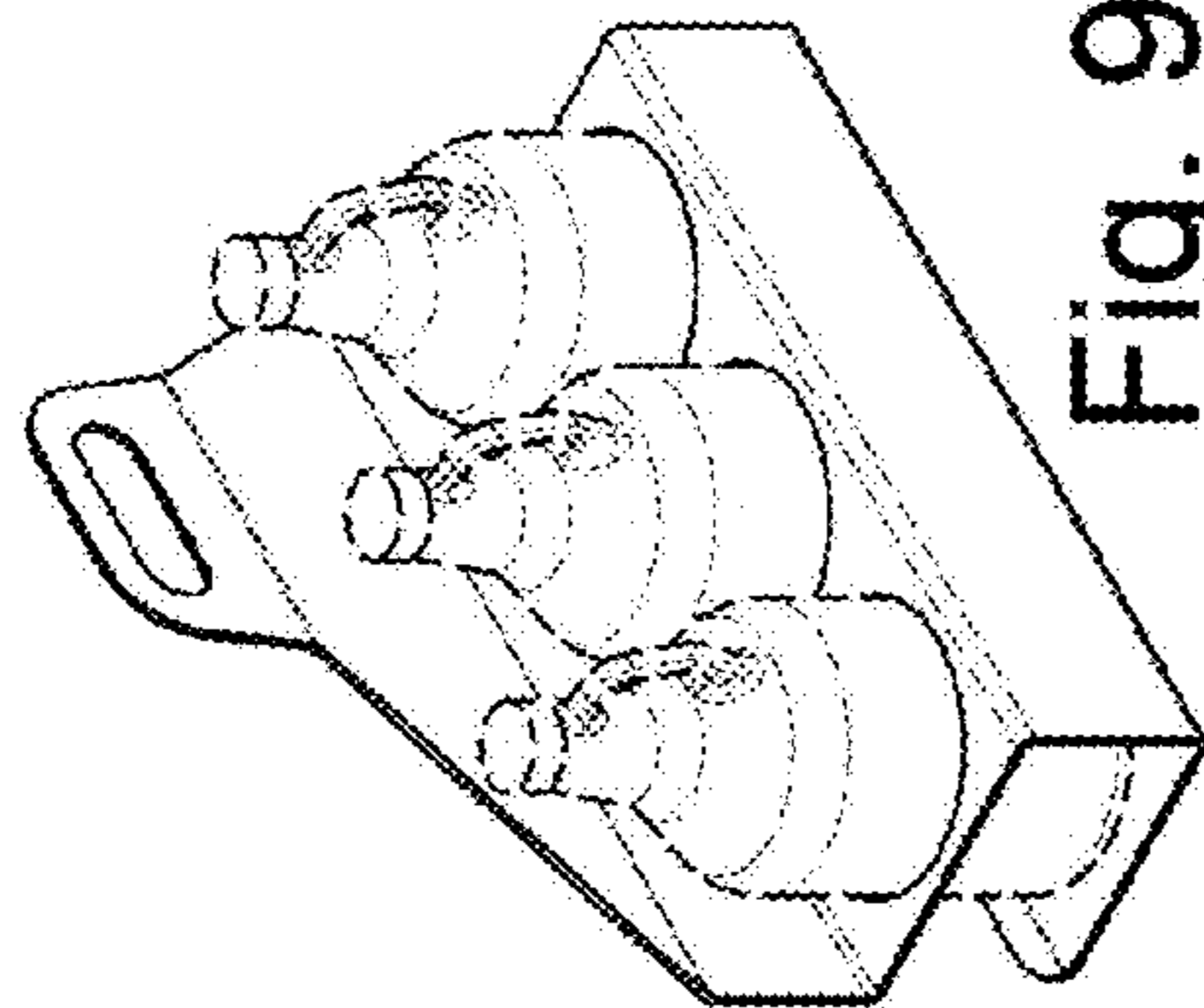


Fig. 9

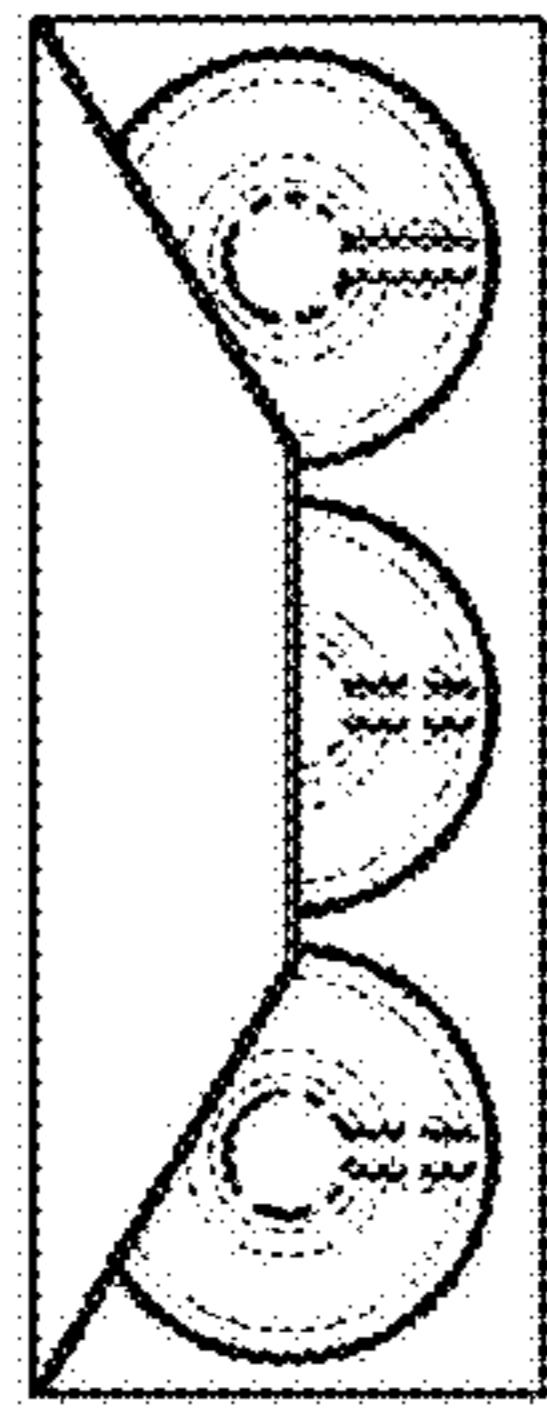


Fig. 10

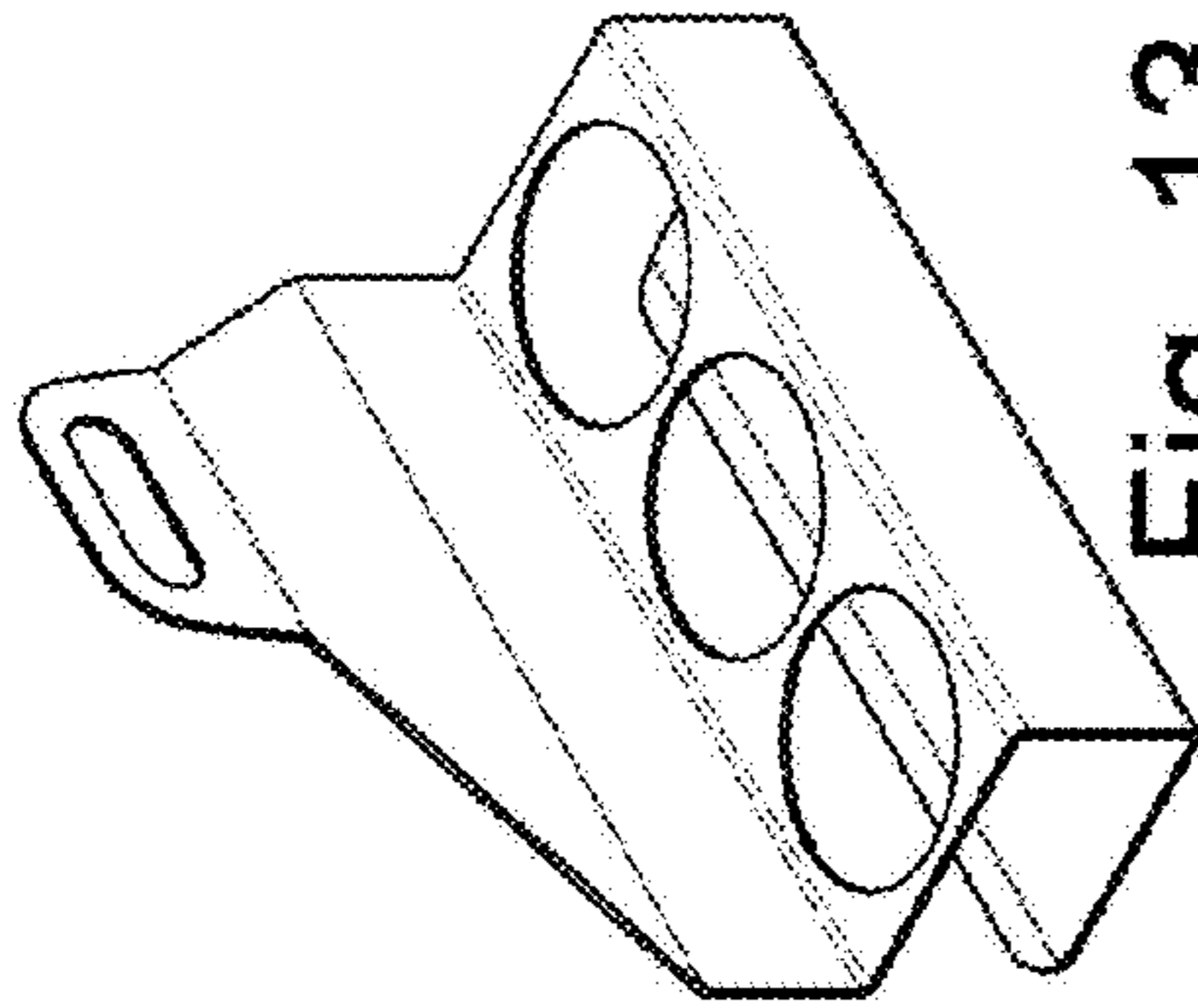


Fig. 13

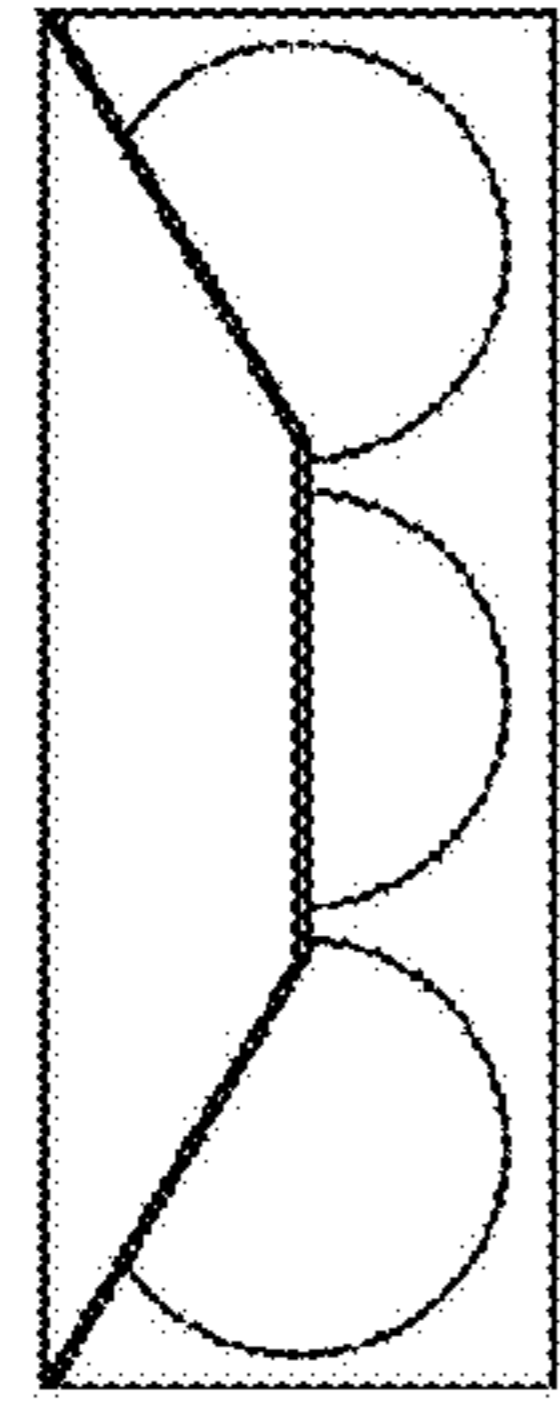


Fig. 14

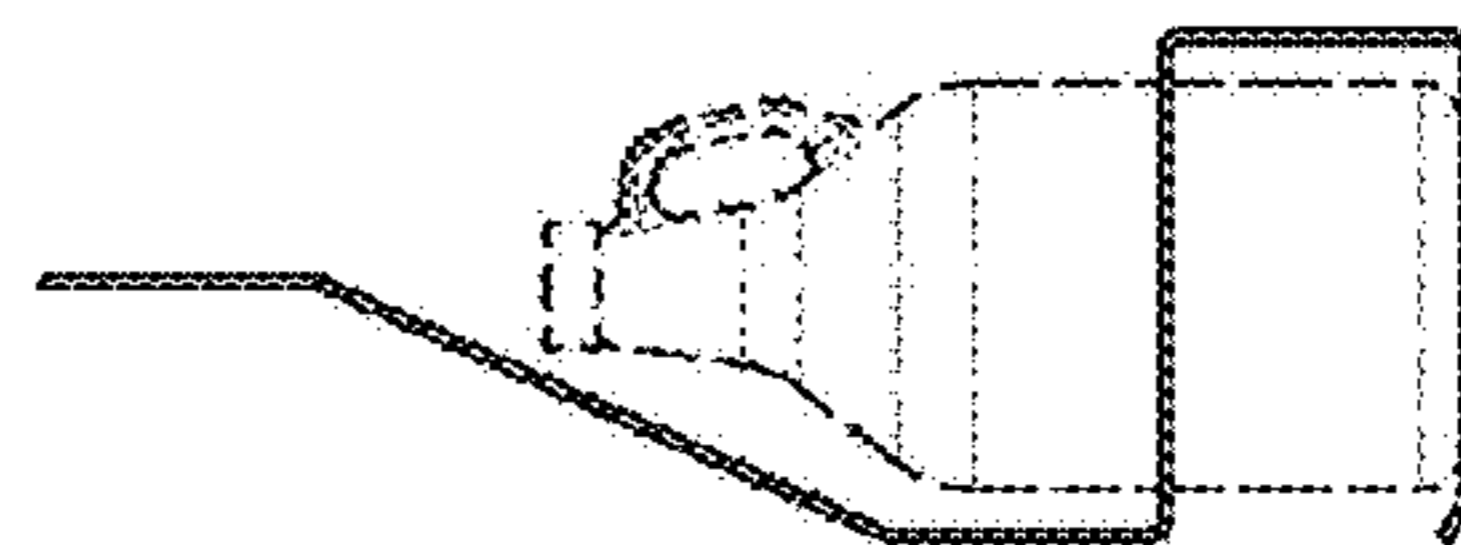


Fig. 11

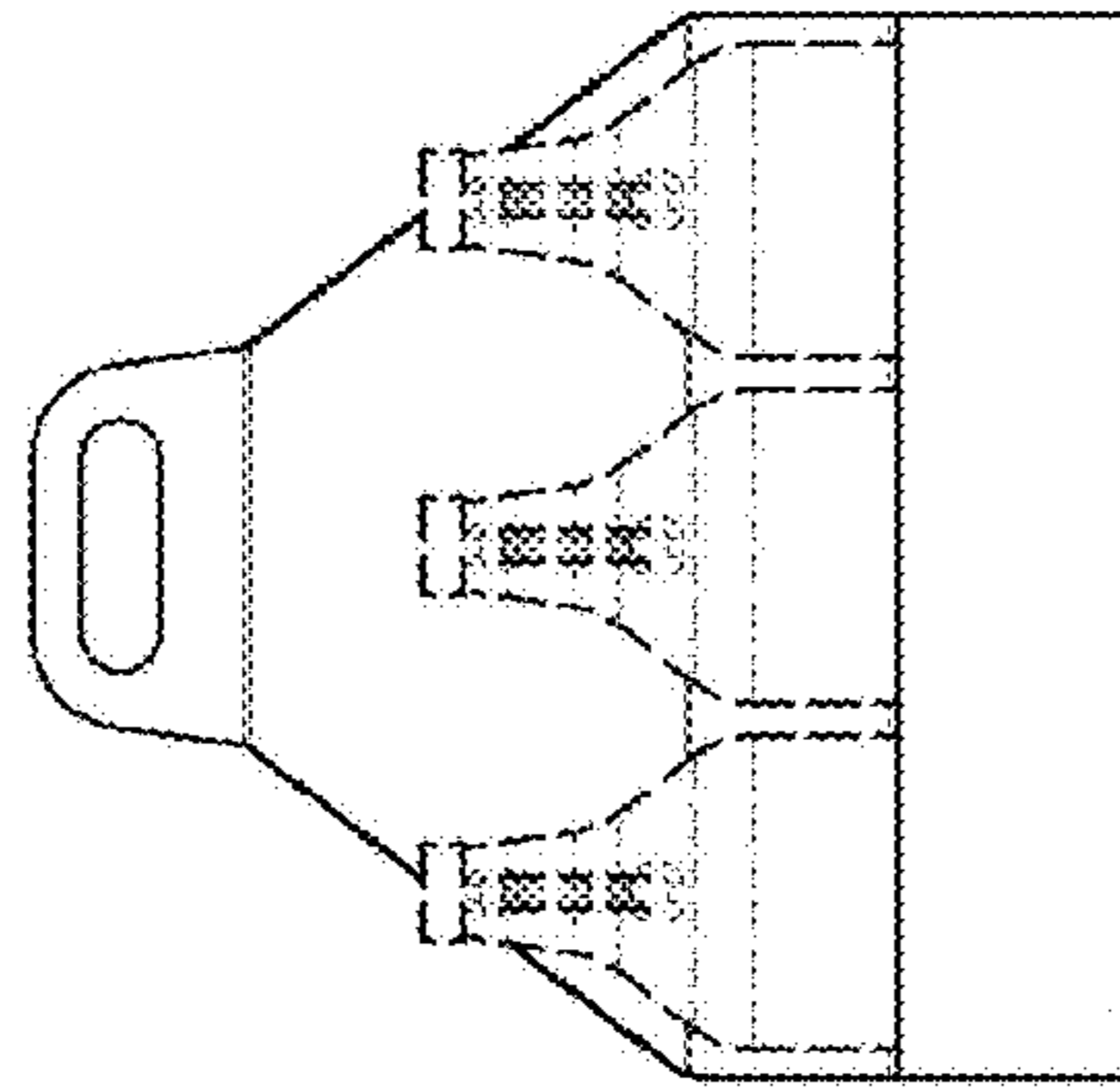


Fig. 12



Fig. 15

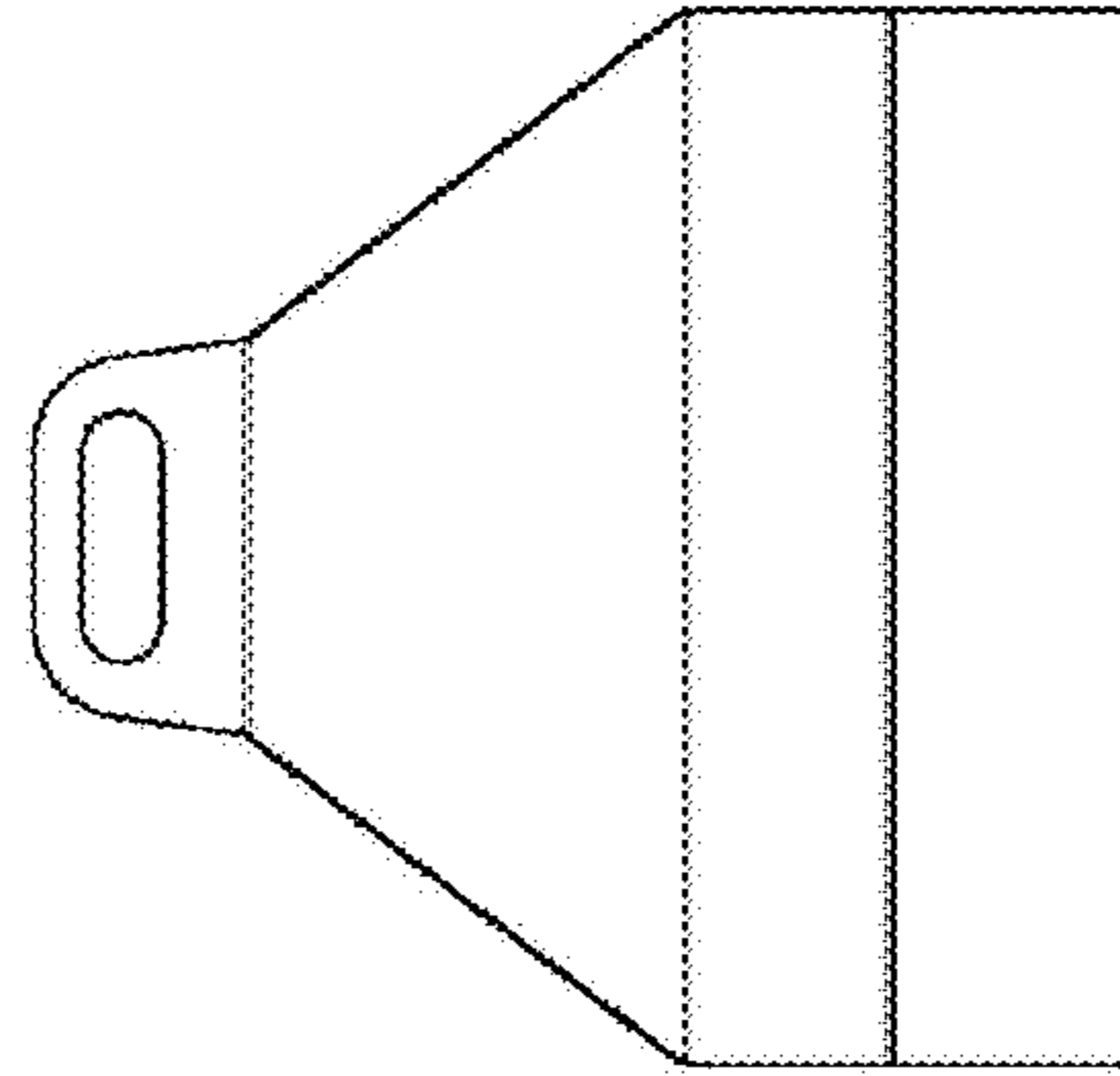


Fig. 16

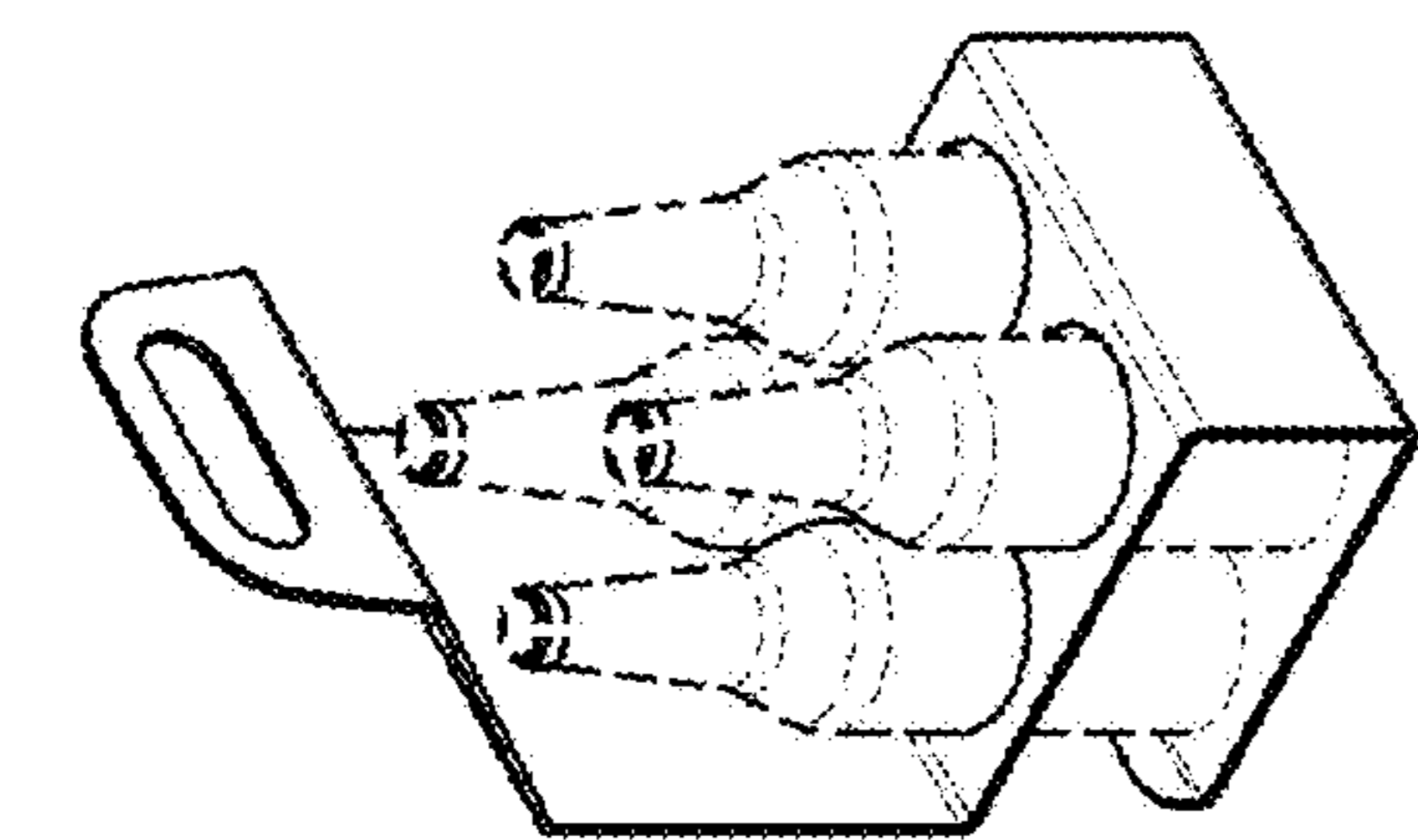


Fig. 17

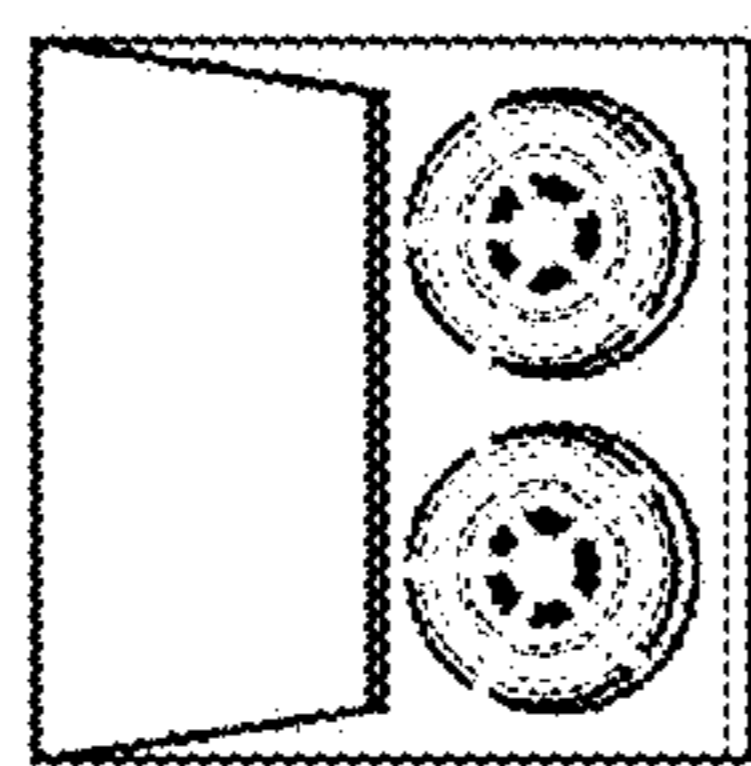


Fig. 18

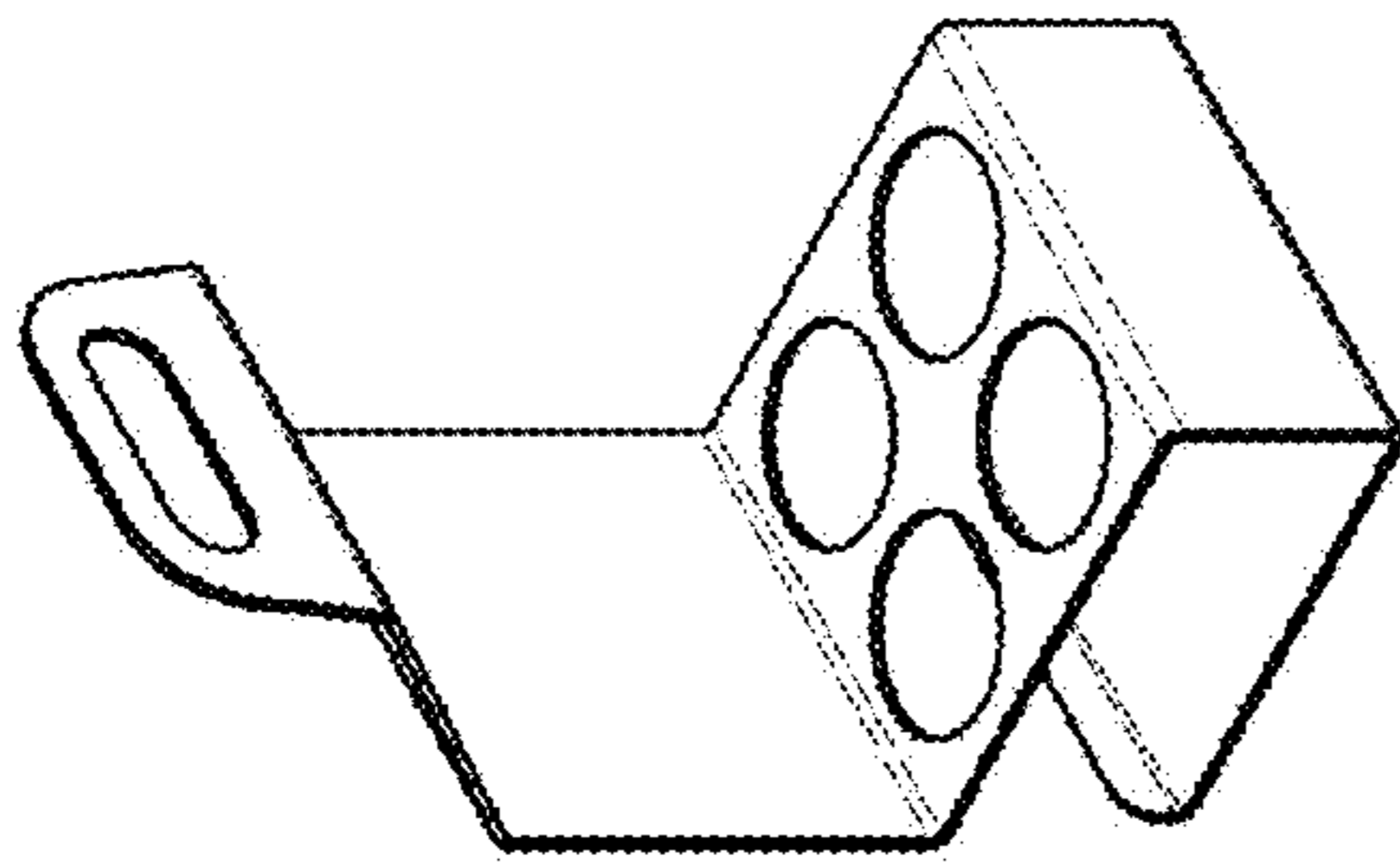


Fig. 21

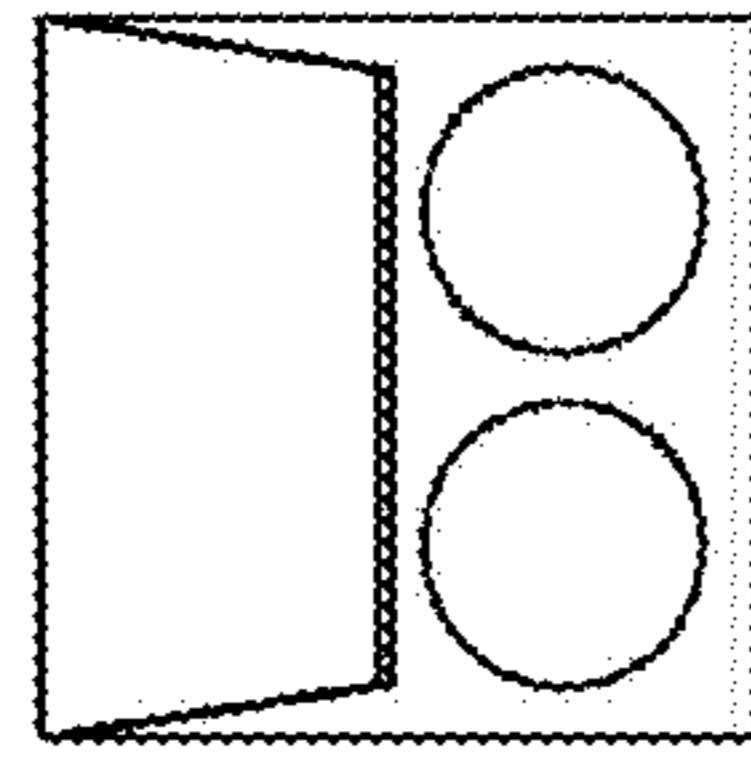


Fig. 22

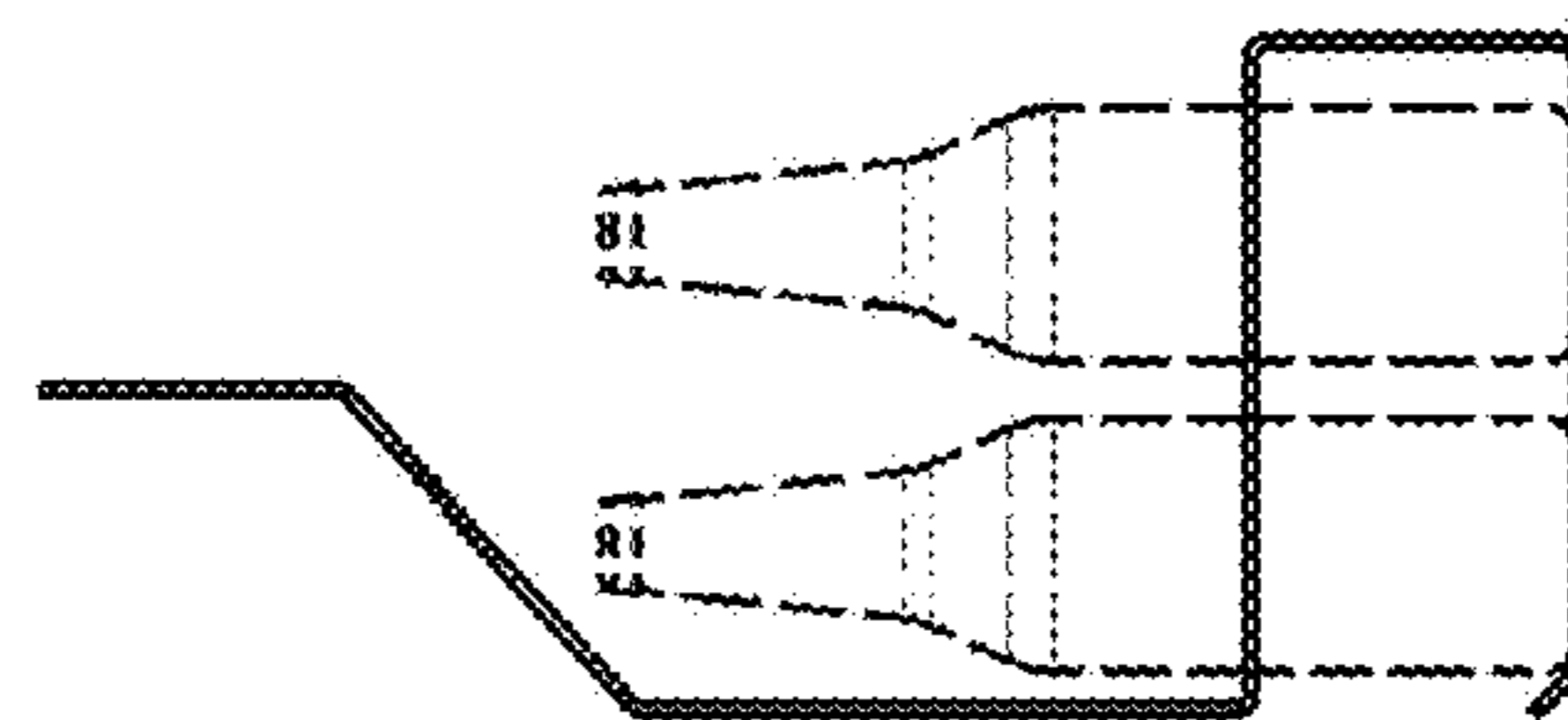


Fig. 19

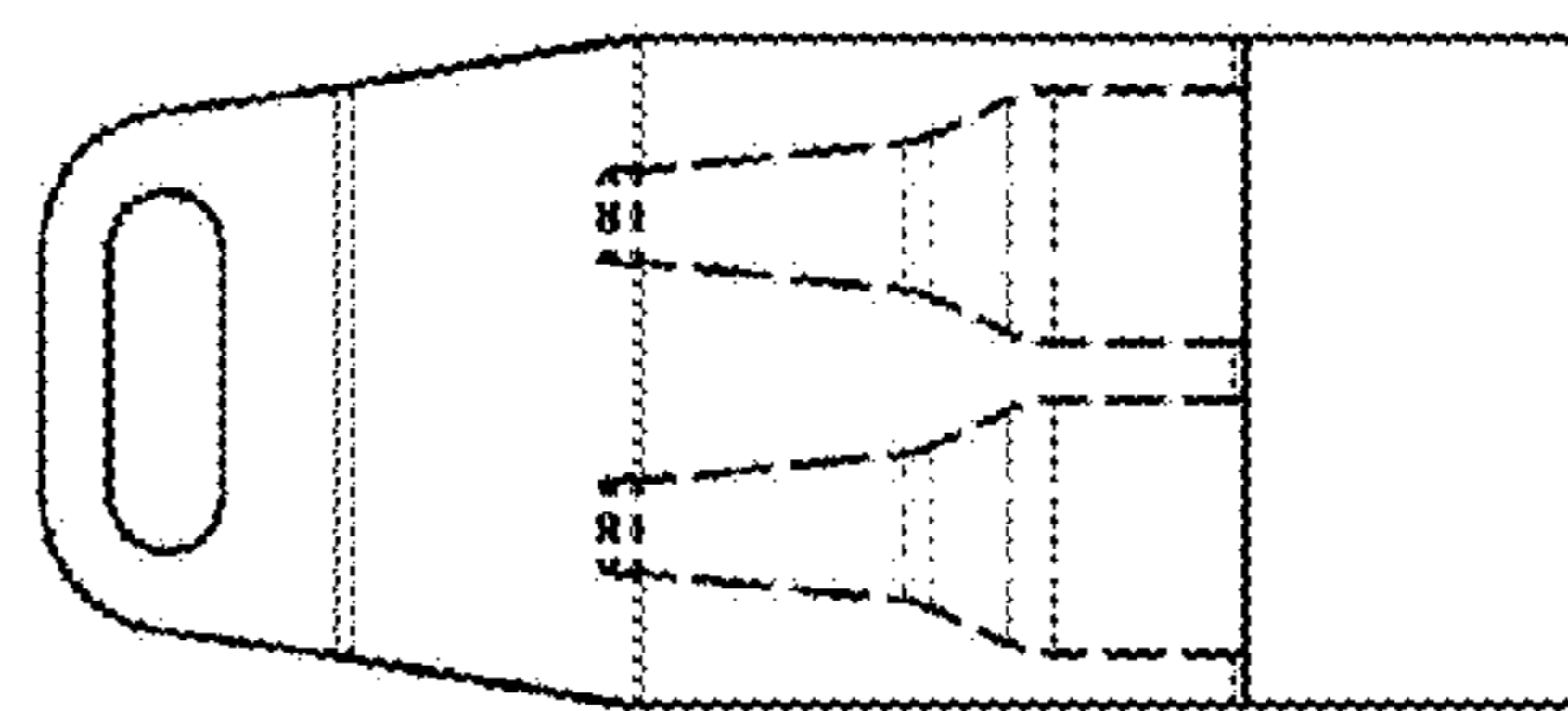


Fig. 20

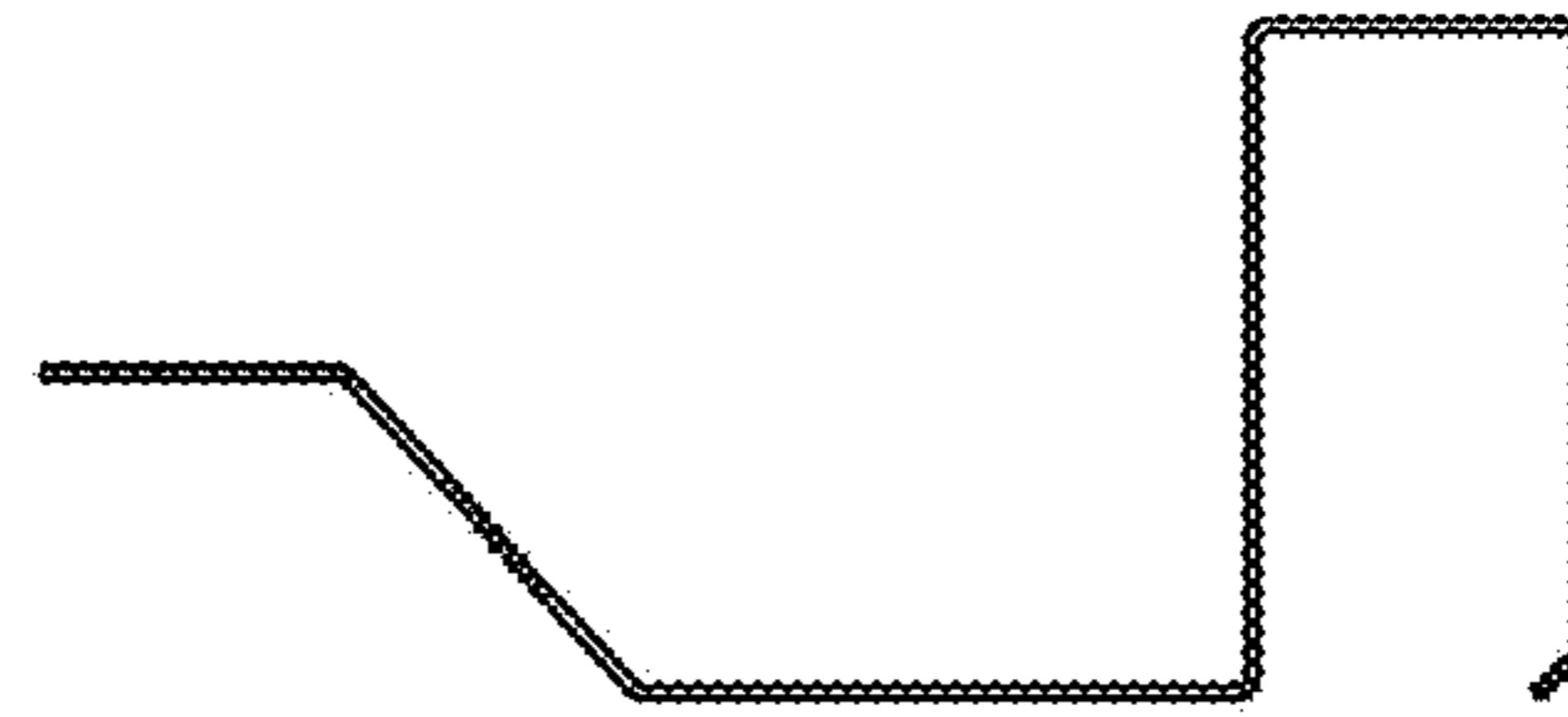


Fig. 23

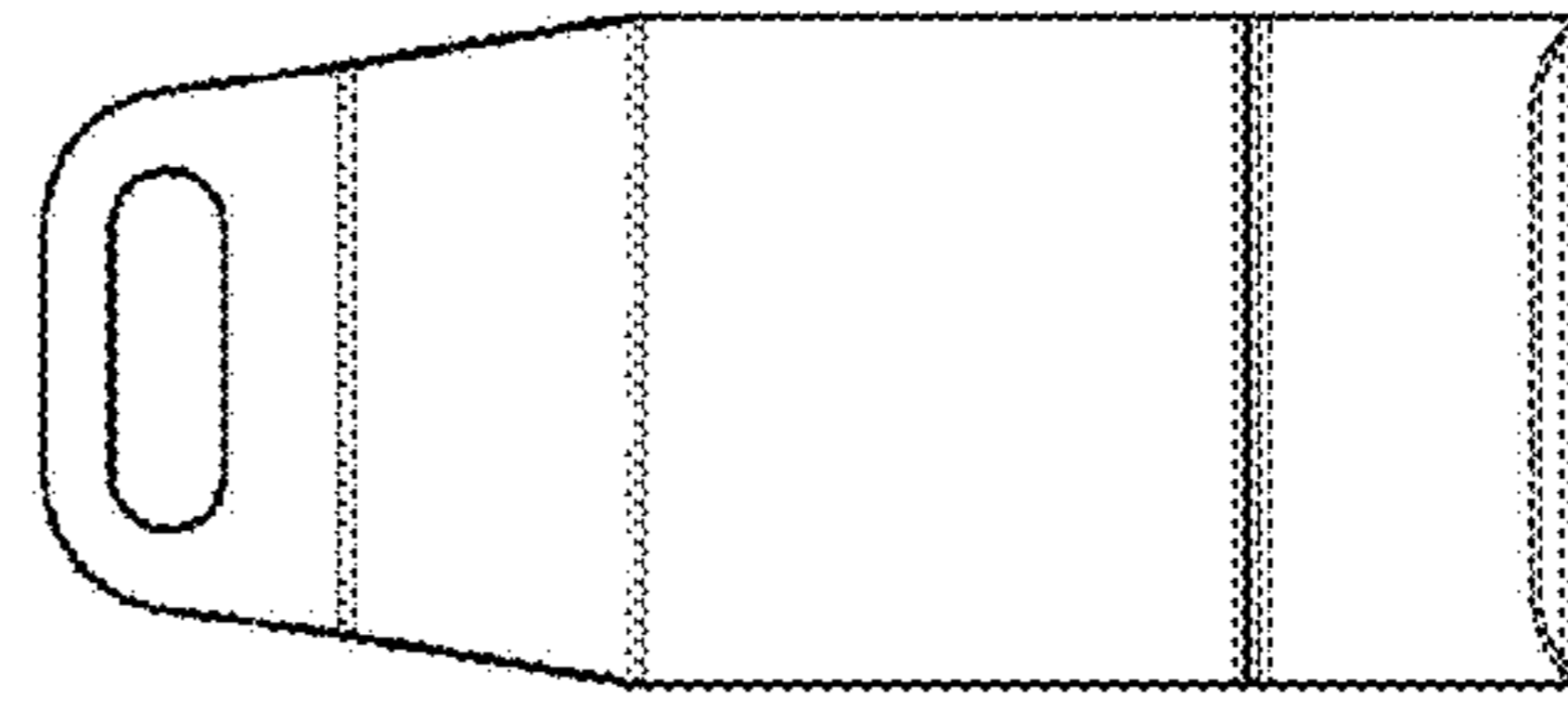


Fig. 24

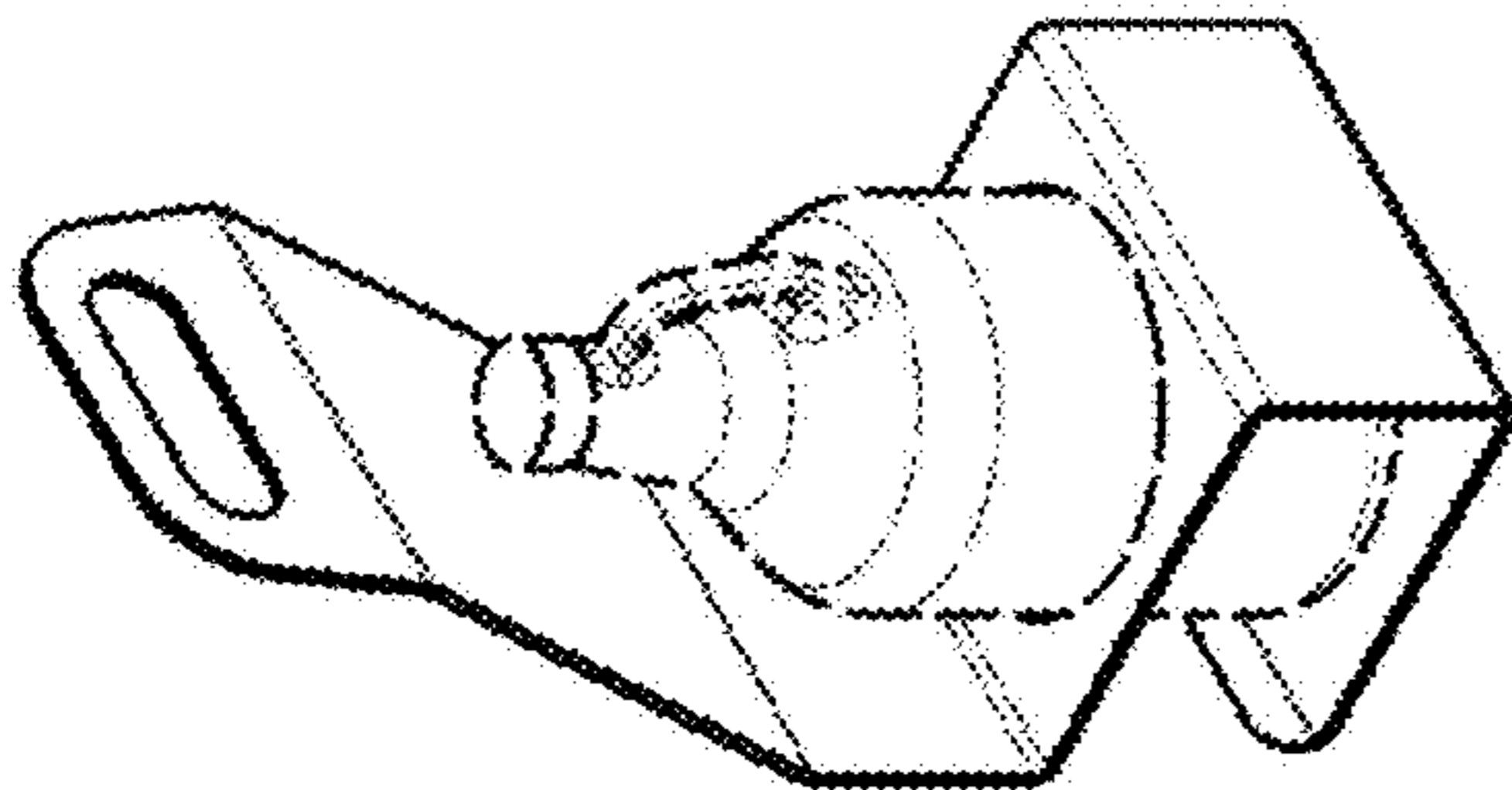


Fig. 25

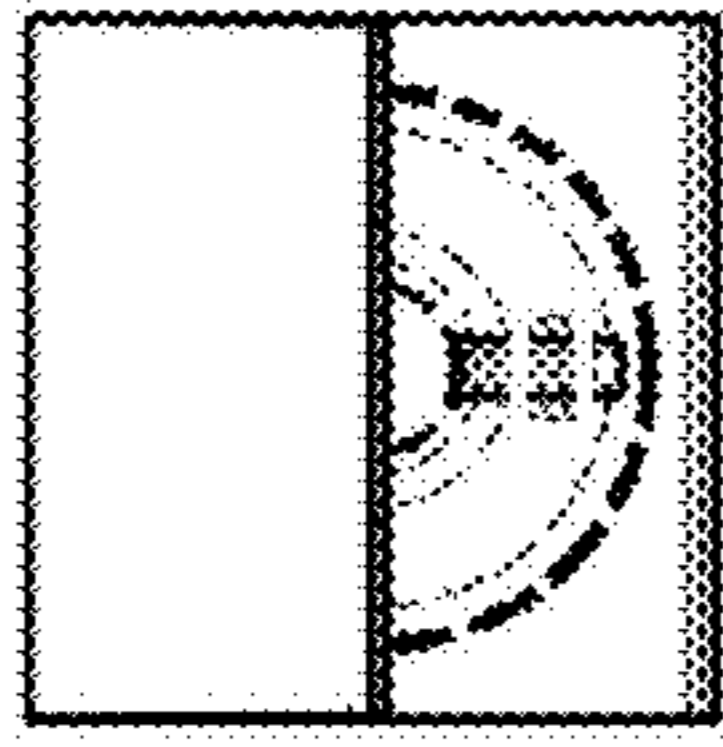


Fig. 26

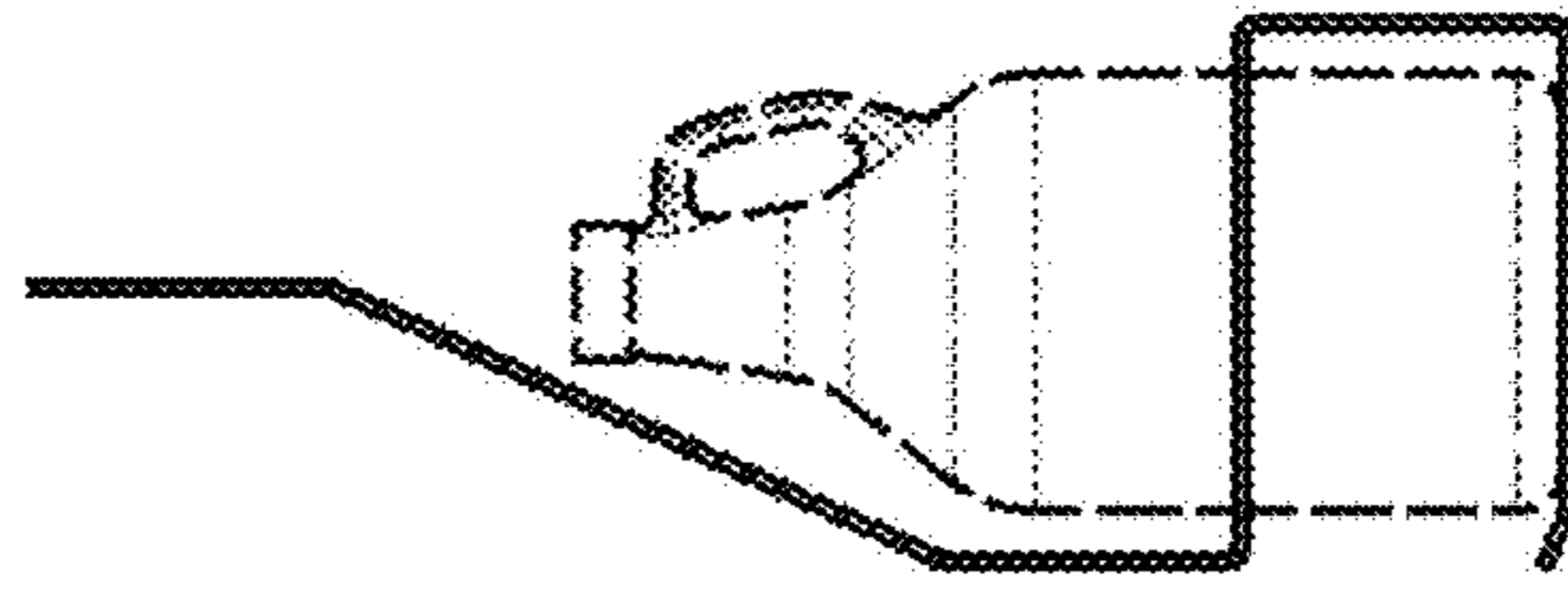


Fig. 27

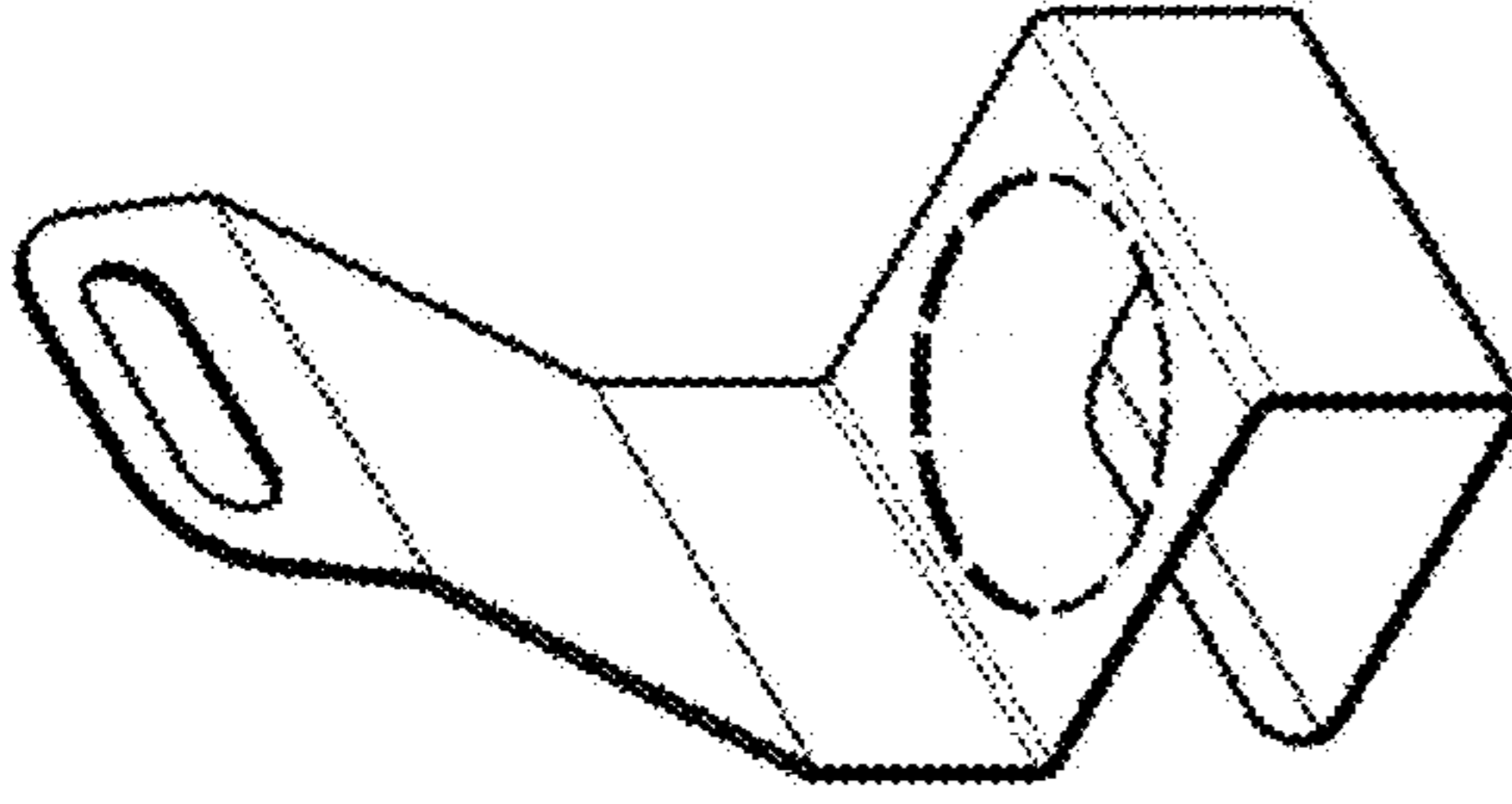


Fig. 29



Fig. 30

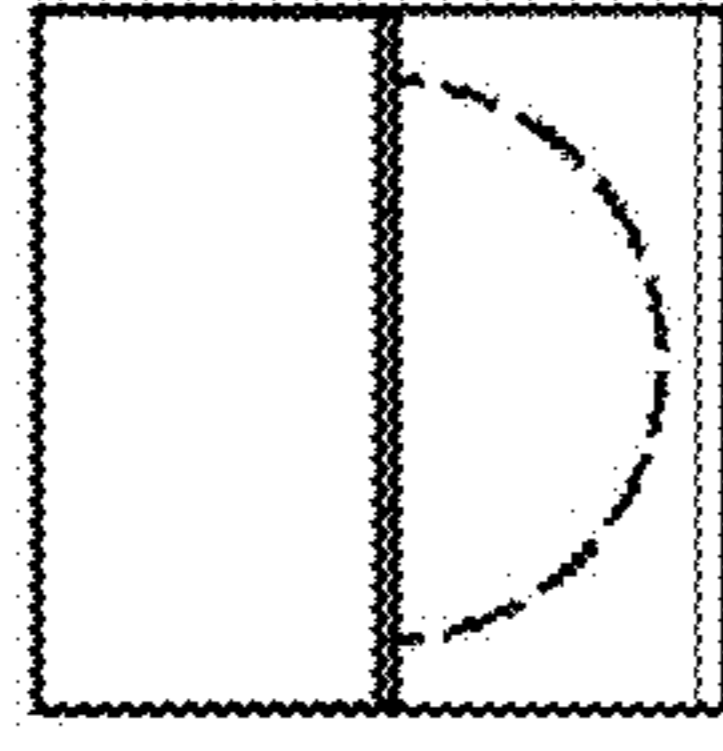


Fig. 31

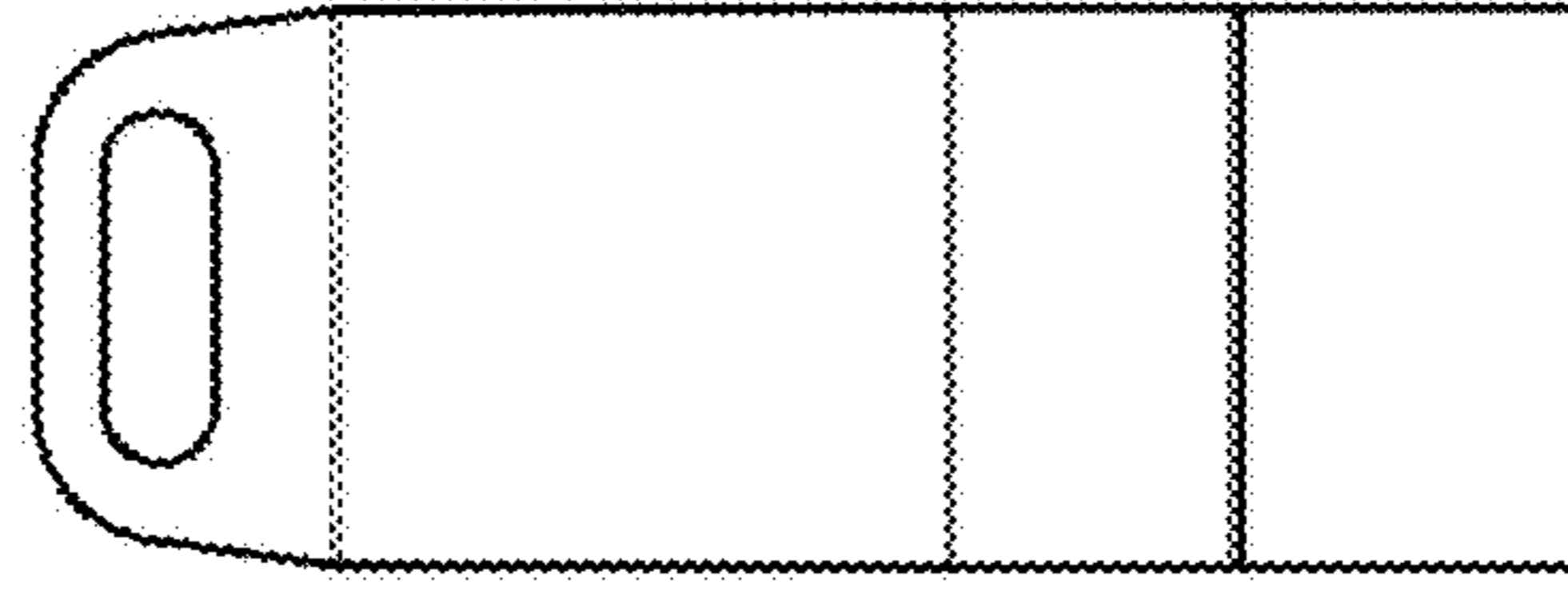


Fig. 32