

US00D729068S

(12) **United States Design Patent**
Oberlender

(10) **Patent No.:** **US D729,068 S**

(45) **Date of Patent:** **** *May 12, 2015**

- (54) **BOX**
- (71) Applicant: **Brian Oberlender**, Miramar, FL (US)
- (72) Inventor: **Brian Oberlender**, Miramar, FL (US)
- (*) Notice: This patent is subject to a terminal disclaimer.
- (**) Term: **14 Years**
- (21) Appl. No.: **29/447,061**
- (22) Filed: **Feb. 28, 2013**

Related U.S. Application Data

- (63) Continuation-in-part of application No. 29/431,386, filed on Sep. 6, 2012.
- (51) **LOC (10) Cl.** **09-01**
- (52) **U.S. Cl.**
USPC **D9/529**; D9/519; D9/553; D9/559;
D9/566; D9/573; D9/452; D9/454
- (58) **Field of Classification Search**
USPC D9/516, 529, 538–539, 545–546,
D9/553–554, 559, 560, 563, 566–567, 572,
D9/574, 451, 452, 454; 215/370, 371, 379,
215/381–383
See application file for complete search history.

(56) **References Cited**

U.S. PATENT DOCUMENTS

- D85,363 S * 10/1931 Betts D9/529
- D89,141 S * 1/1933 Wilson D9/559
- D97,681 S * 12/1935 Larsen D9/566 X
- D242,738 S * 12/1976 Michaeli D26/136
- 4,248,901 A * 2/1981 Austin 220/4.27 X
- D304,298 S * 10/1989 Bannister D9/559 X
- D306,400 S * 3/1990 Beier-Rosetti D9/546

- D306,694 S * 3/1990 Beier-Rosetti D9/559 X
- D316,669 S * 5/1991 Young D9/651
- D332,721 S * 1/1993 Jauhal et al. D7/354
- D340,882 S * 11/1993 Holtkamp, Jr. D11/164
- D365,516 S * 12/1995 Williamson D9/651
- D367,626 S * 3/1996 Shryock D11/164
- D368,444 S * 4/1996 Shryock D11/164
- D434,325 S * 11/2000 Jivago D9/651
- D477,227 S * 7/2003 Goswell D9/529 X
- D519,845 S * 5/2006 Ortiz D9/559 X
- D531,912 S * 11/2006 Antretter D9/546
- D543,848 S * 6/2007 Mettler et al. D9/551 X
- D565,410 S * 4/2008 Canamasas Puigbo D9/454
- D573,026 S * 7/2008 Tsai D9/529 X
- D584,950 S * 1/2009 Courtaigne Delalande ... D9/574
X
- D656,829 S * 4/2012 Watabe D9/452 X

* cited by examiner

Primary Examiner — Carol P Rademaker

(74) *Attorney, Agent, or Firm* — Mayback & Hoffman, P.A.;
Gregory L. Mayback

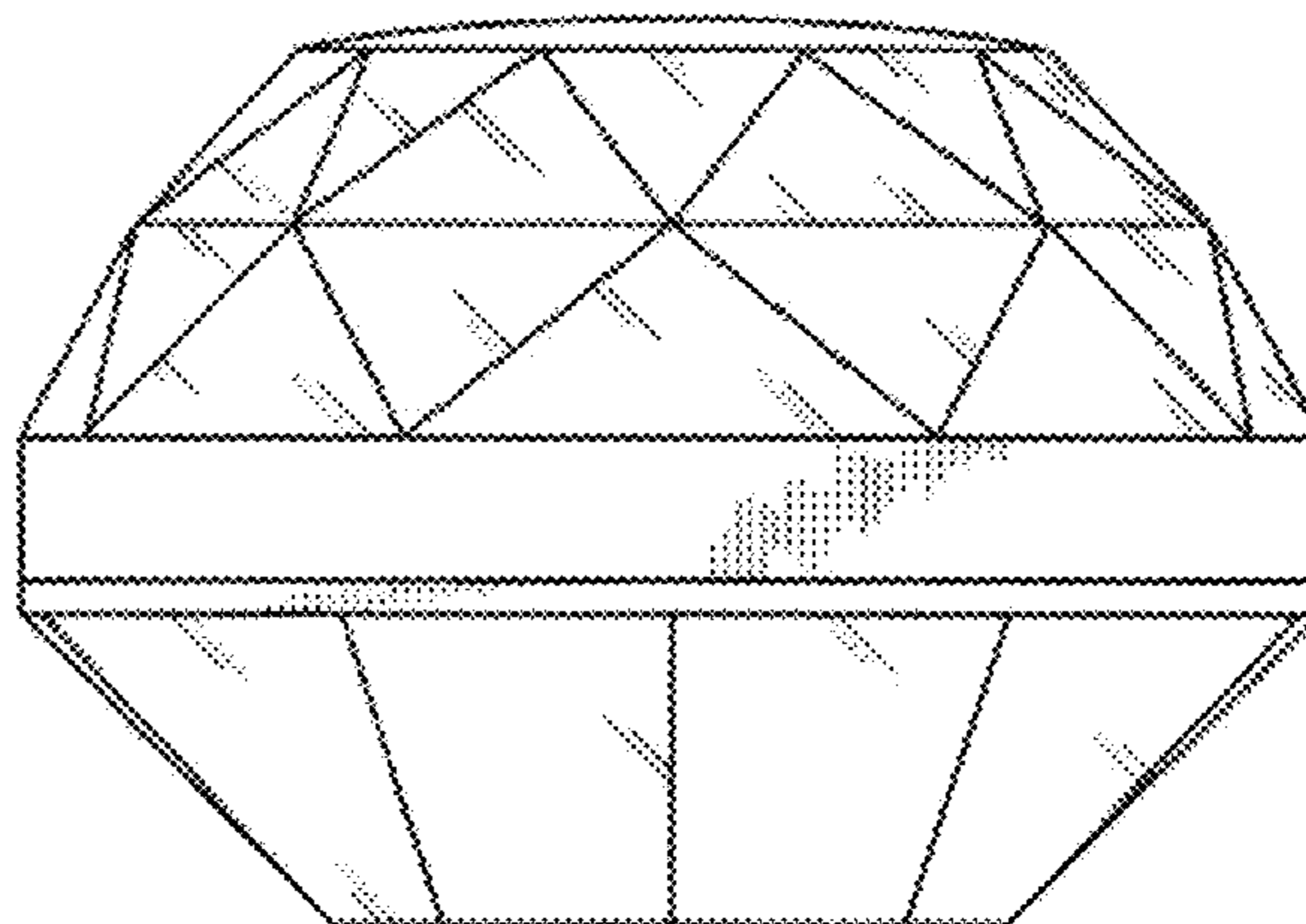
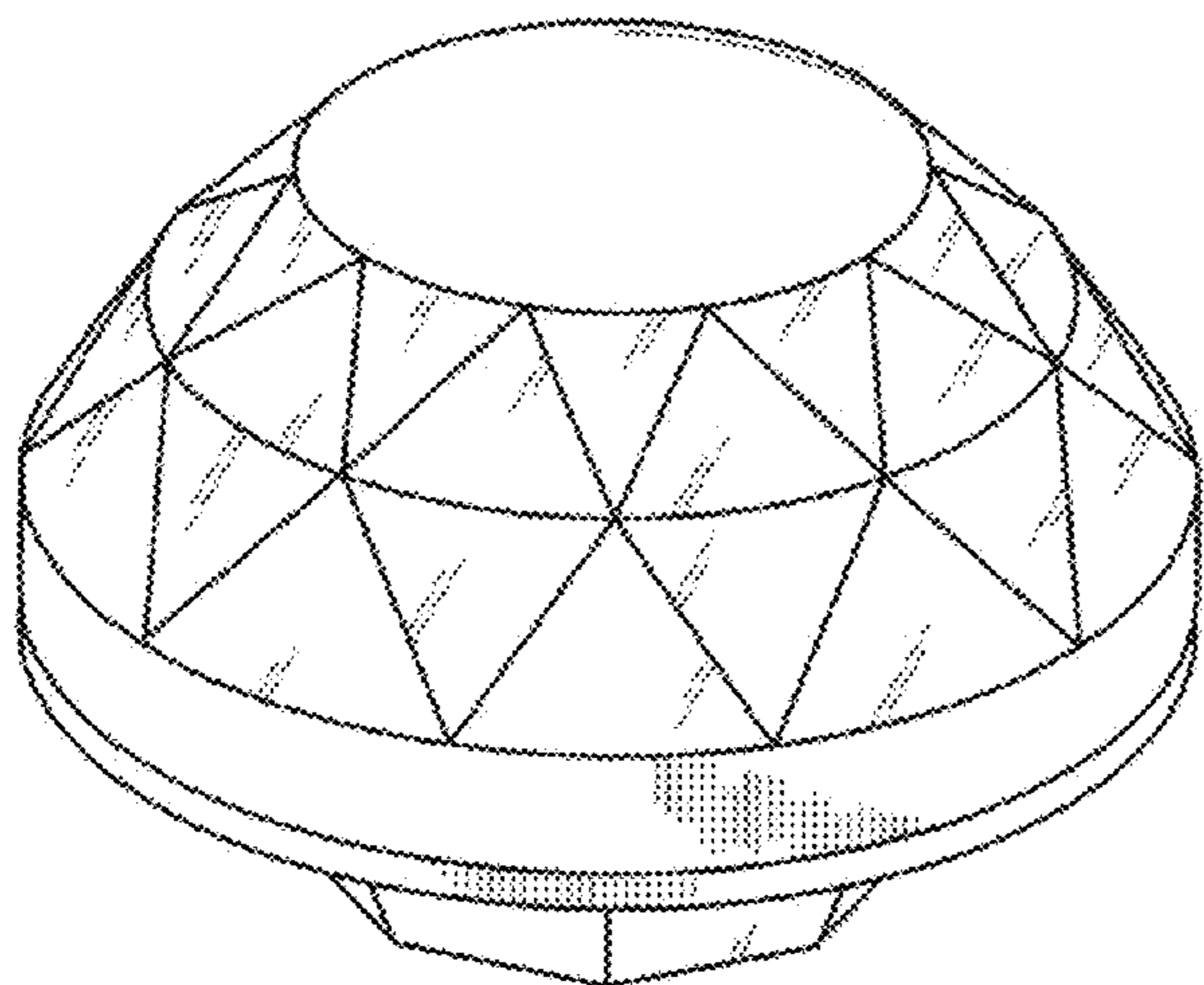
(57) **CLAIM**

The ornamental design for a box, as shown and described.

DESCRIPTION

FIG. 1 is a top, front perspective view of a box according to the present invention;
 FIG. 2 is a top plan view thereof;
 FIG. 3 is a bottom plan view thereof;
 FIG. 4 is a front elevational view thereof;
 FIG. 5 is a rear elevational view thereof;
 FIG. 6 is a right side elevational view thereof; and,
 FIG. 7 is a left side elevational view thereof.
 The broken lines showing a central portion of the bottom surface are included for the purpose of illustrating environmental structure and forms no part of the claimed design.

1 Claim, 2 Drawing Sheets



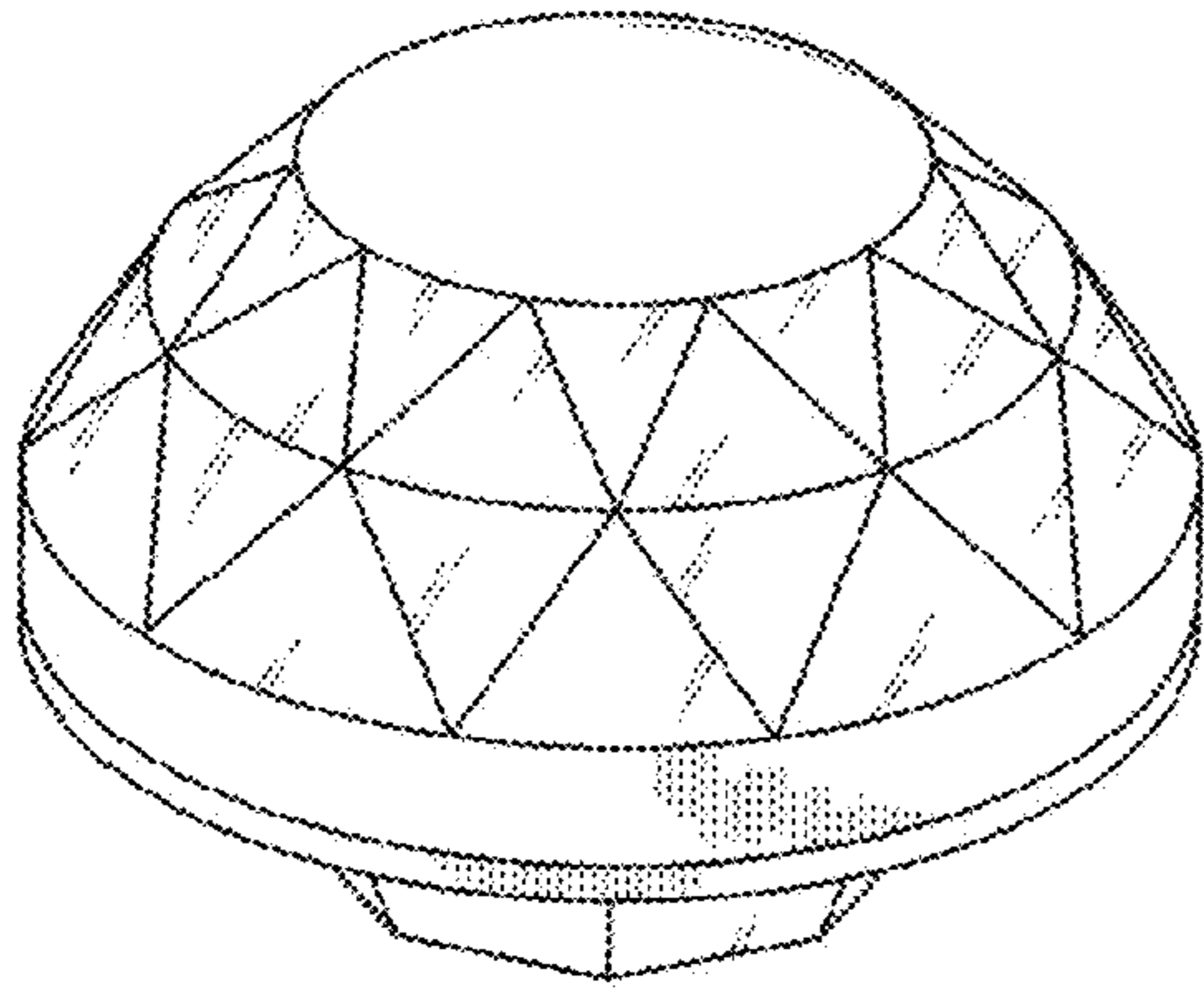


FIG. 1

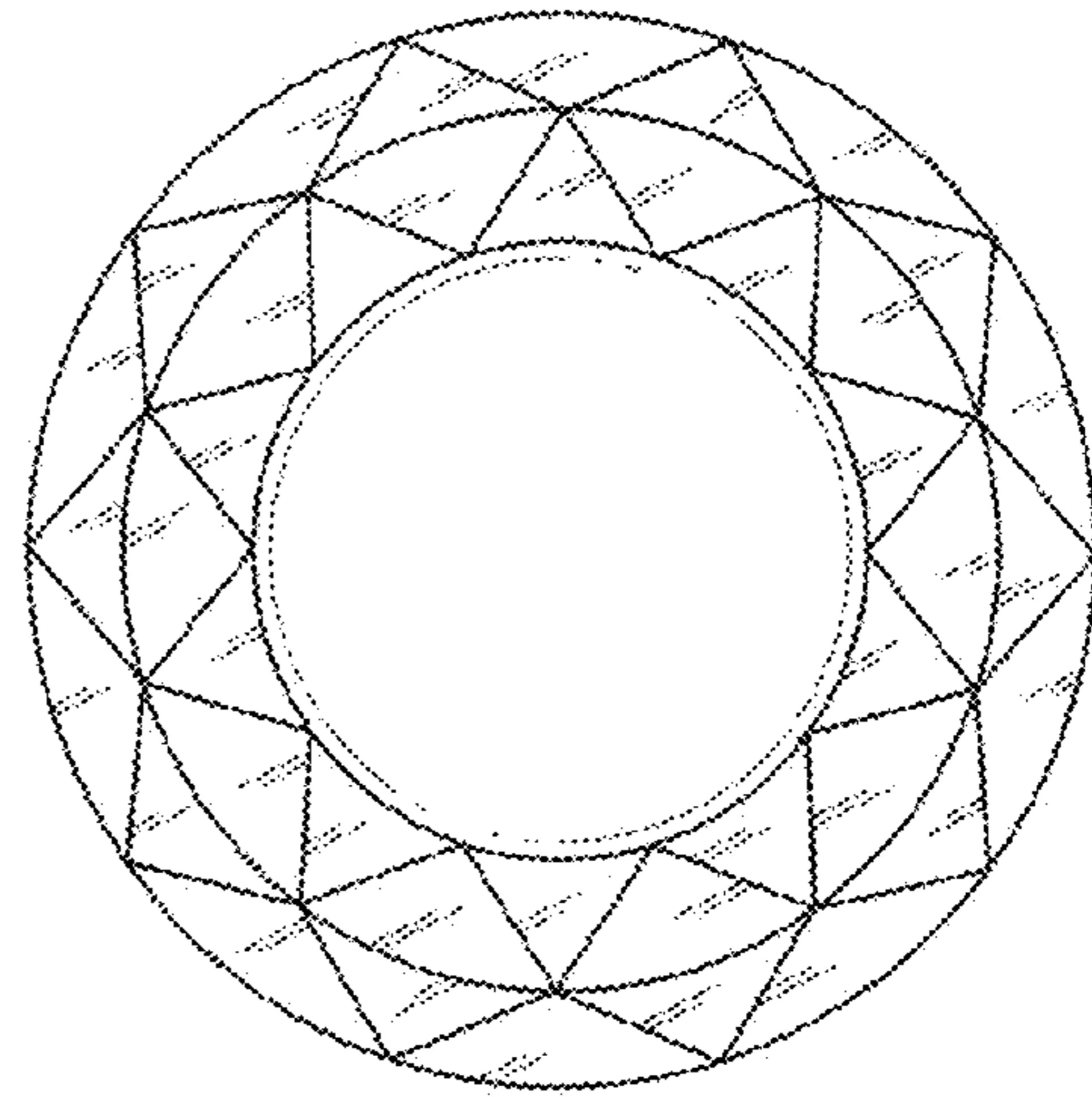


FIG. 2

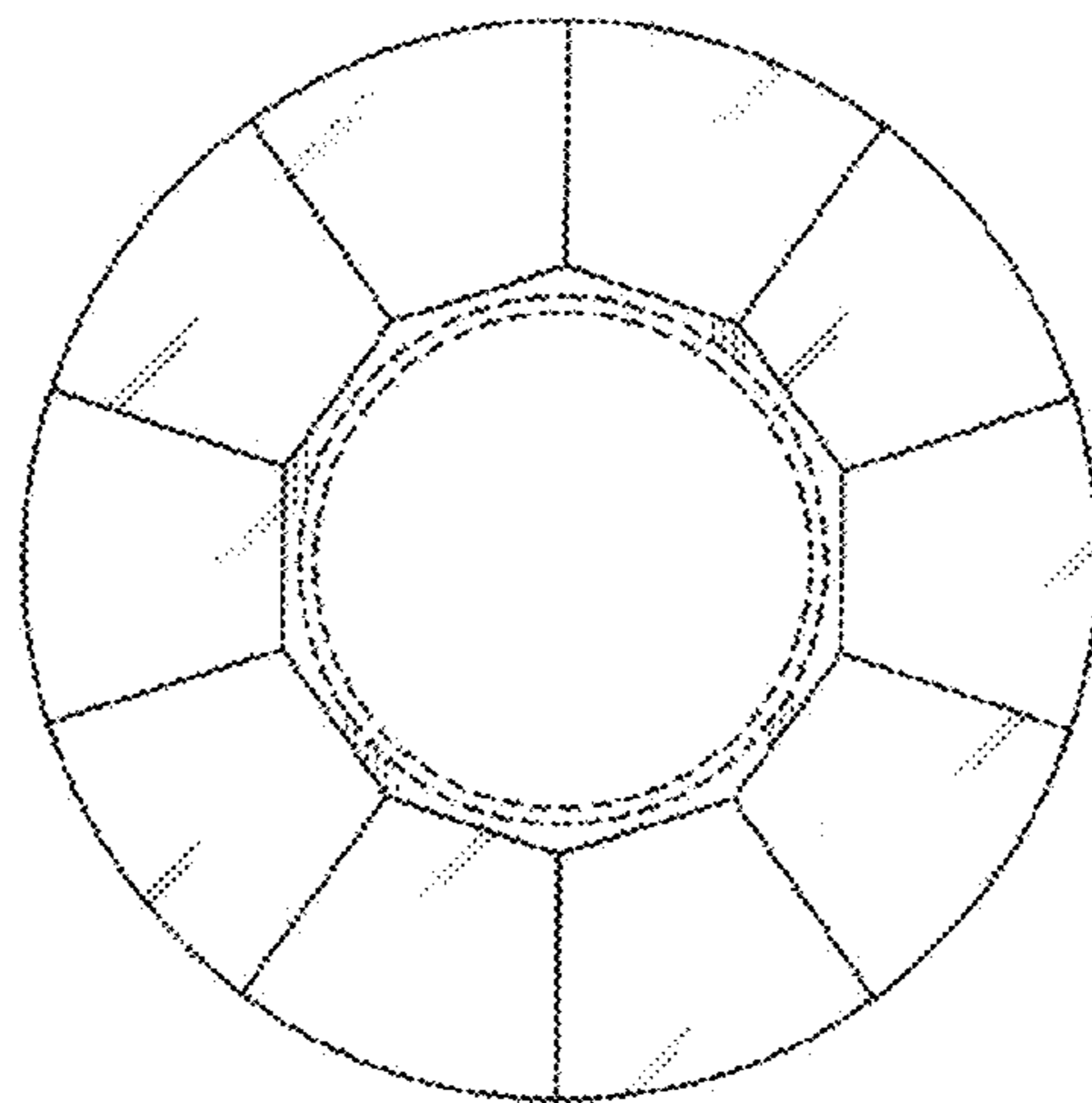


FIG. 3

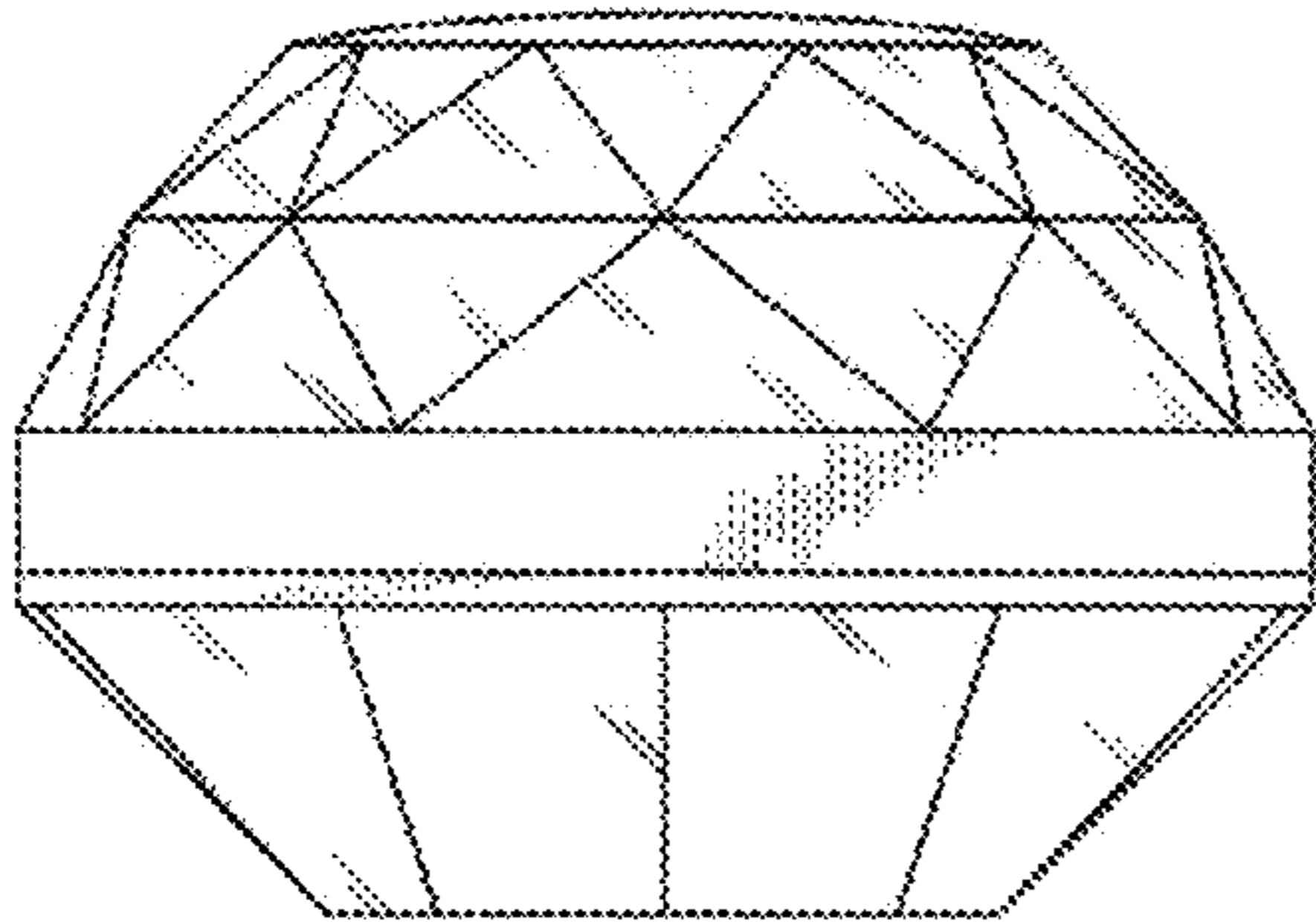


FIG. 4

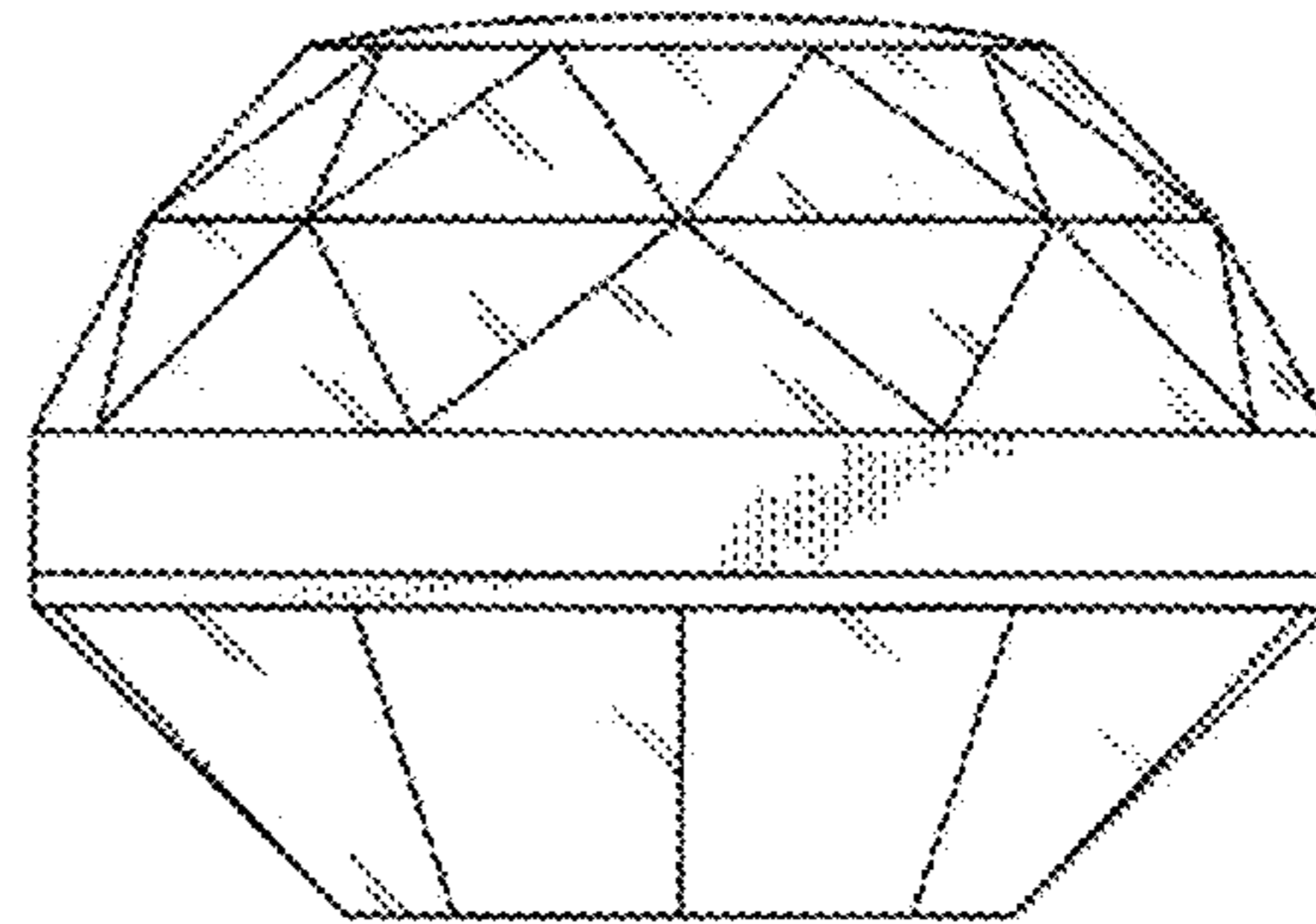


FIG. 5

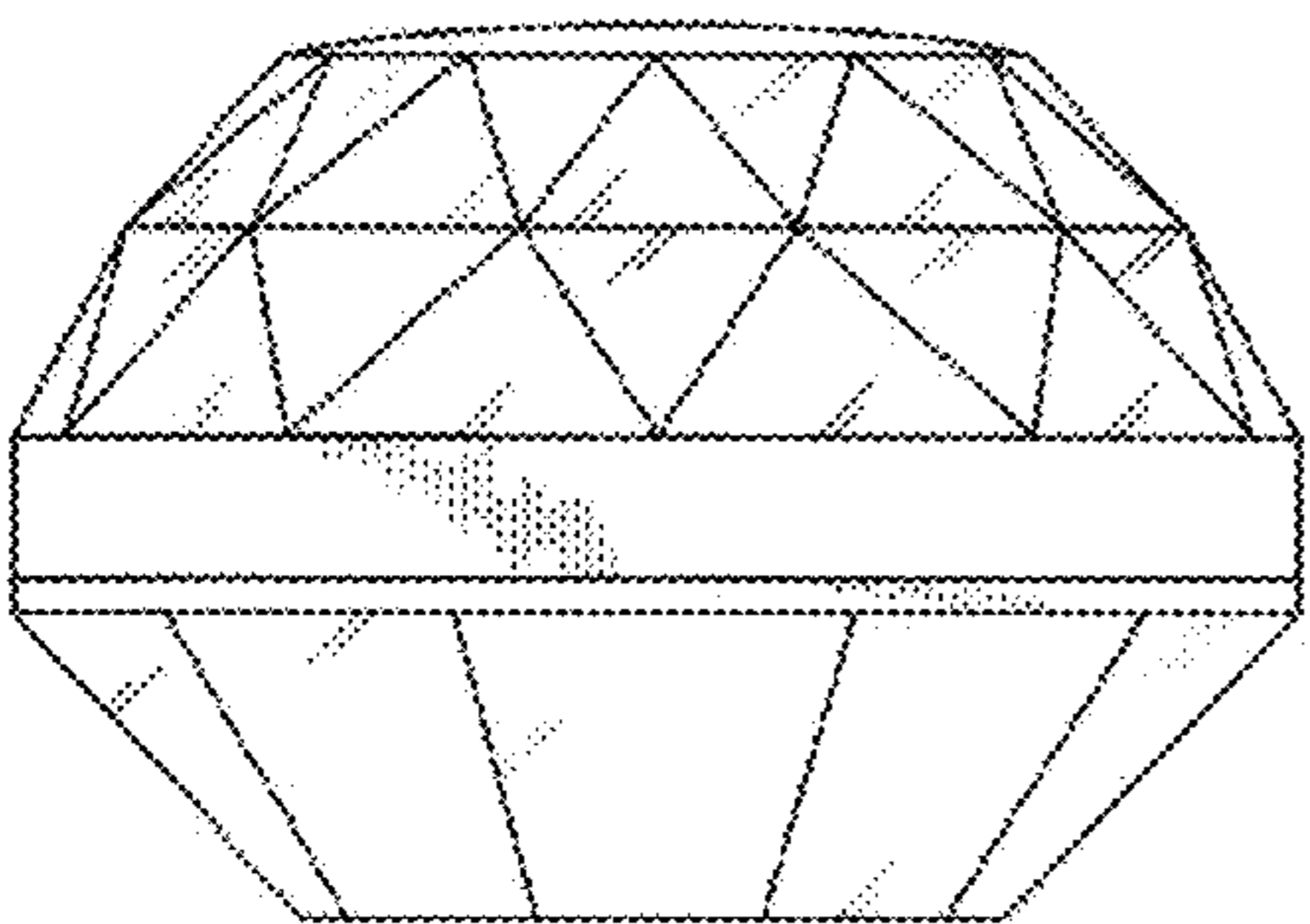


FIG. 6

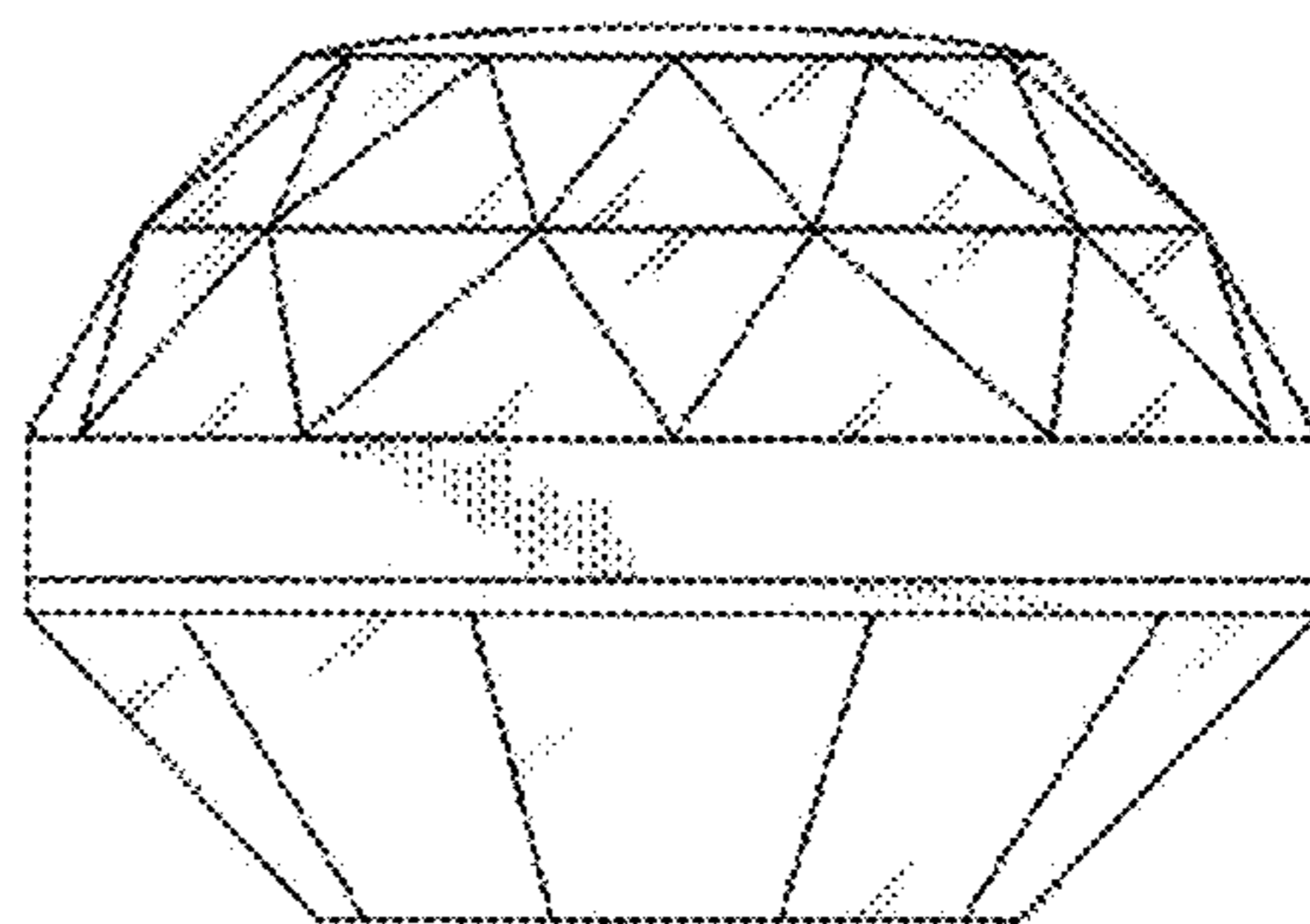


FIG. 7