



US00D729067S

(12) **United States Design Patent**
Behar et al.

(10) **Patent No.:** **US D729,067 S**
(45) **Date of Patent:** **** May 12, 2015**

(54) **CONTAINER**

(75) Inventors: **Yves Behar**, San Francisco, CA (US);
Josh Morenstein, San Francisco, CA
(US); **Noah Murphy-Reinhertz**, San
Francisco, CA (US)

(73) Assignee: **Beiersdorf AG**, Hamburg (DE)

(**) Term: **14 Years**

(21) Appl. No.: **29/427,586**

(22) Filed: **Jul. 19, 2012**

(30) **Foreign Application Priority Data**

Jan. 19, 2012 (EM) 1977836-0001

(51) **LOC (10) Cl.** **09-01**

(52) **U.S. Cl.**

USPC **D9/529**; D9/454; D9/549; D9/575

(58) **Field of Classification Search**

CPC B65D 1/00; B65D 1/02; B65D 1/0223;
B65D 1/0246; B65D 41/00; B65D 41/02;
B65D 41/04; B65D 2501/00; B65D 2501/0009

USPC D9/434-435, 454, 500, 503-505, 516,
D9/529, 549, 552, 571, 575; 215/316, 329,
215/379, 381-382; 220/288, 660, 669, 675;
132/293

See application file for complete search history.

(56) **References Cited**

U.S. PATENT DOCUMENTS

D203,137 S * 12/1965 Braun D9/420
D289,978 S * 5/1987 Clover, Jr. D24/224

D320,310 S * 10/1991 Kuhn D4/114
D489,171 S * 5/2004 Jackson D3/203.2
D530,607 S * 10/2006 Cornet et al. D9/445
D555,000 S * 11/2007 Bunce et al. D9/529
D555,505 S * 11/2007 Brandt D9/688
D559,110 S * 1/2008 Marx et al. D9/529
D561,594 S * 2/2008 Condon et al. D9/529
D563,223 S * 3/2008 Cornet et al. D9/504
D581,280 S * 11/2008 Oates D9/529
D624,430 S * 9/2010 Guarinoni D9/549
D664,202 S * 7/2012 Shu D19/85
D691,888 S * 10/2013 Mettler et al. D9/504

FOREIGN PATENT DOCUMENTS

WO DM/079027 * 7/2012

* cited by examiner

Primary Examiner — Ian Simmons

Assistant Examiner — Dana L Meyrow

(74) *Attorney, Agent, or Firm* — Dentons US LLP

(57) **CLAIM**

We claim the ornamental design for a container, as shown and described.

DESCRIPTION

FIG. 1 is a top perspective view of a container in accordance with the claimed design;

FIG. 2 is a rear view thereof, shown at an enlarged scale;

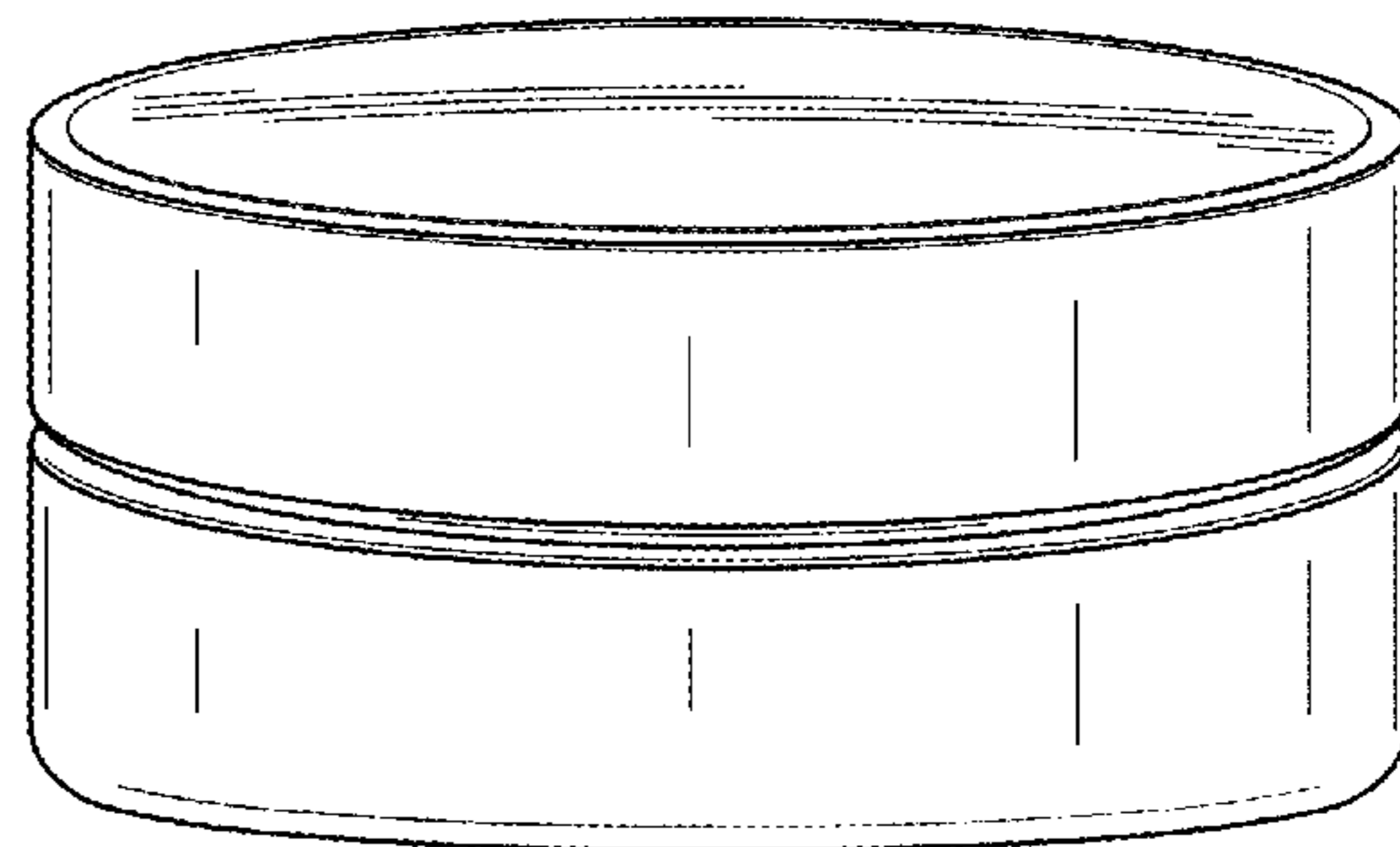
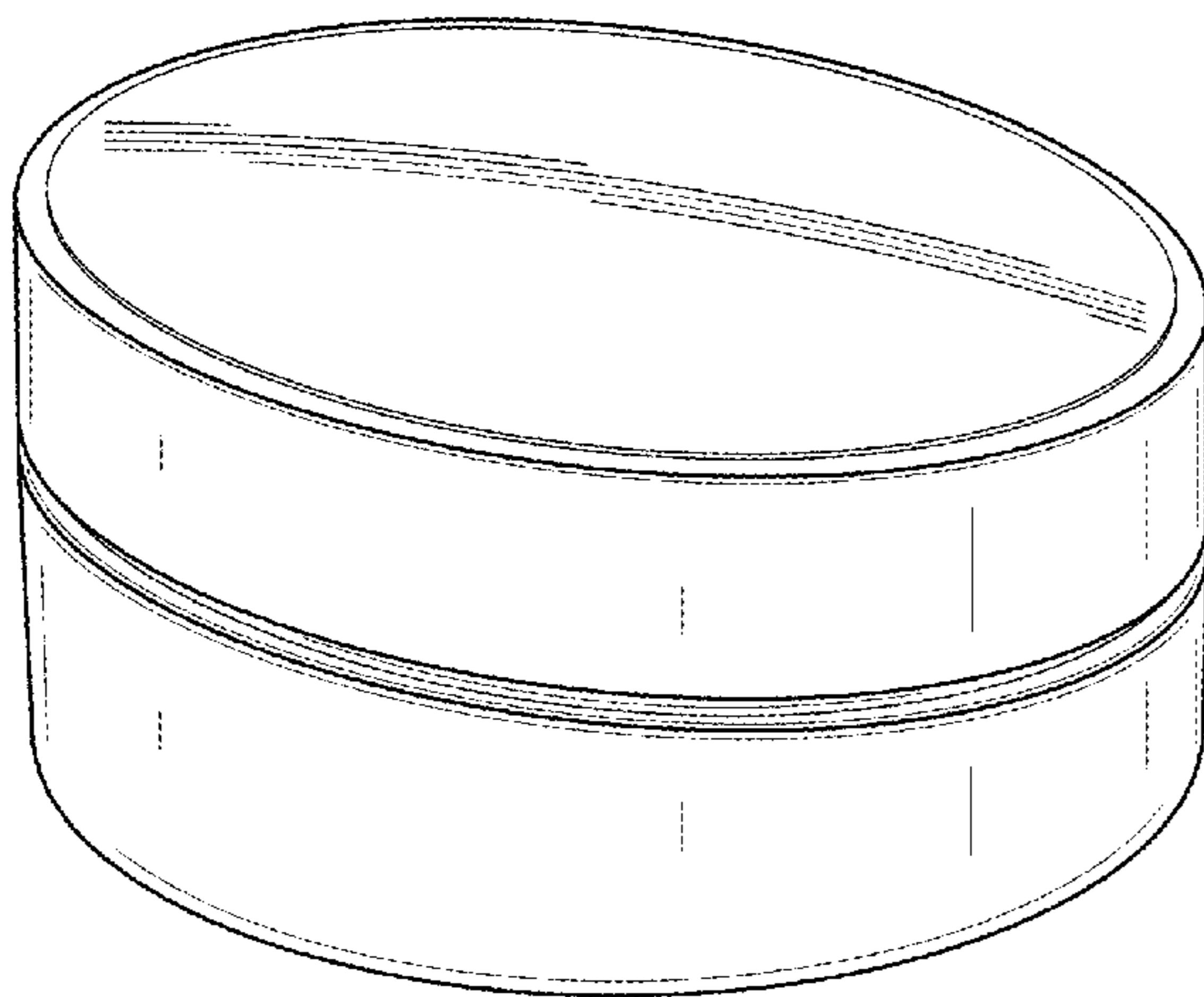
FIG. 3 is a front view thereof, shown at a reduced scale;

FIG. 4 is a left side thereof, shown at an enlarged scale;

FIG. 5 is a right side view thereof; and,

FIG. 6 is a top plan view thereof, shown at a reduced scale.

1 Claim, 6 Drawing Sheets



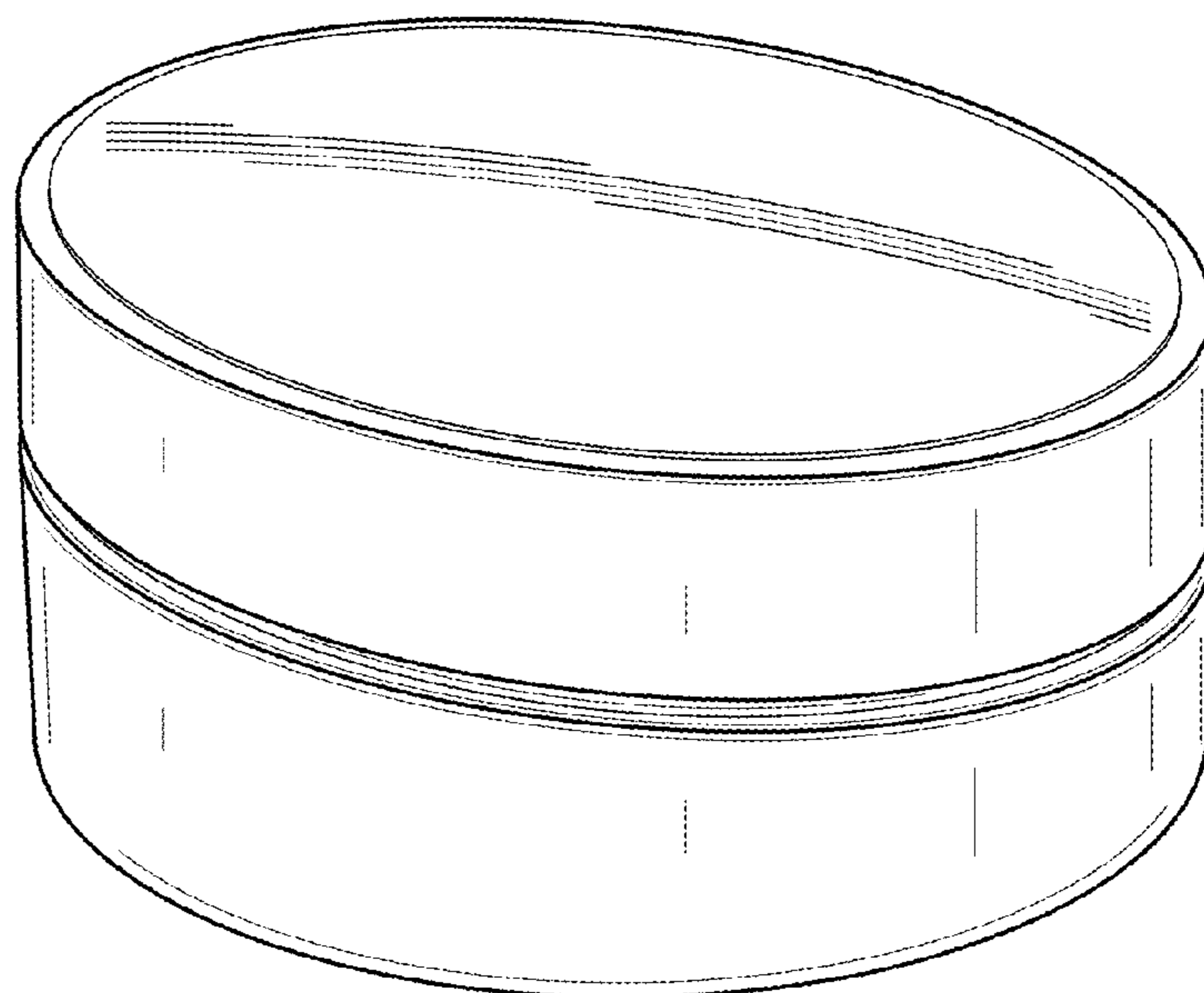


FIG. 1

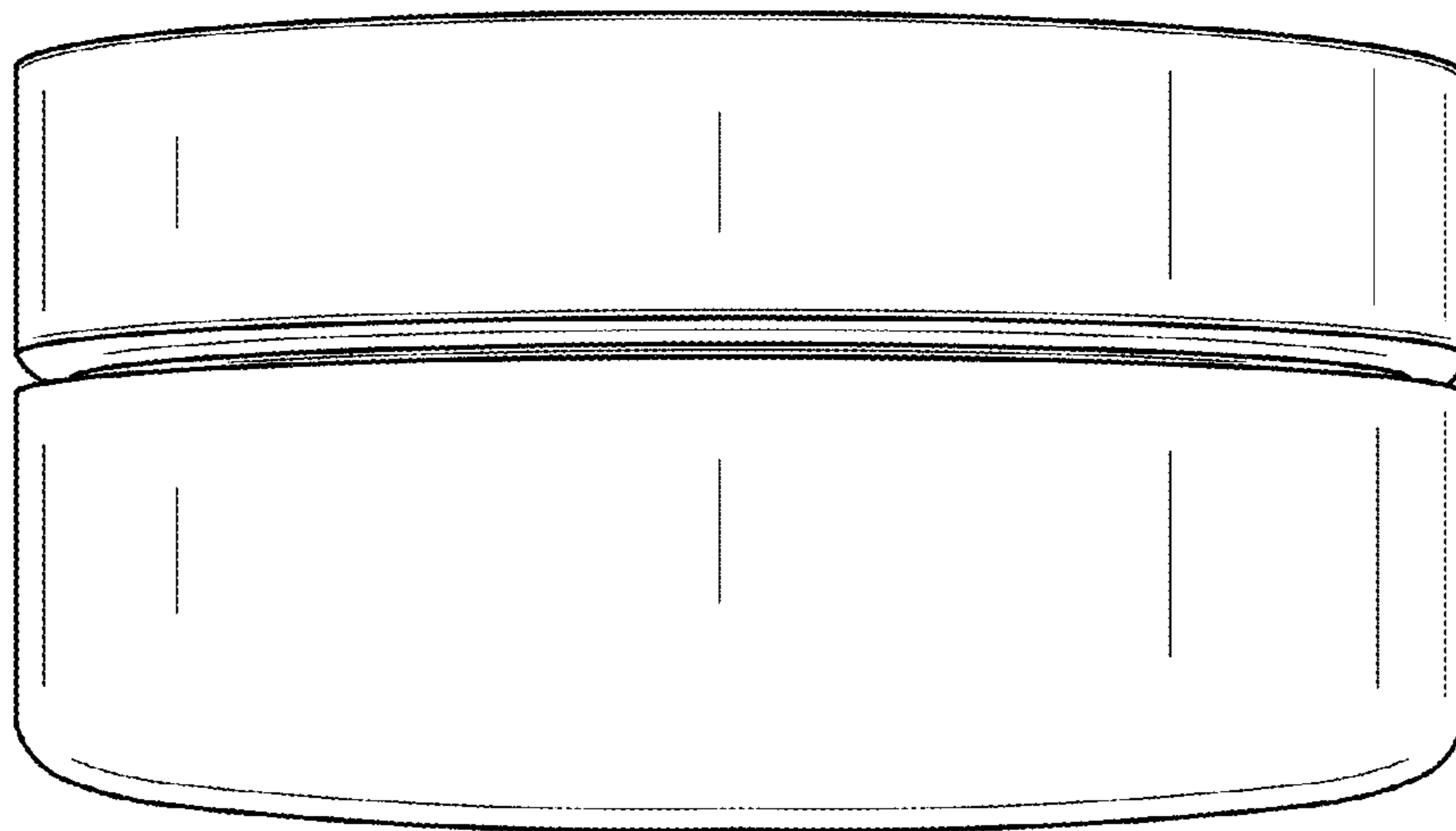


FIG. 2

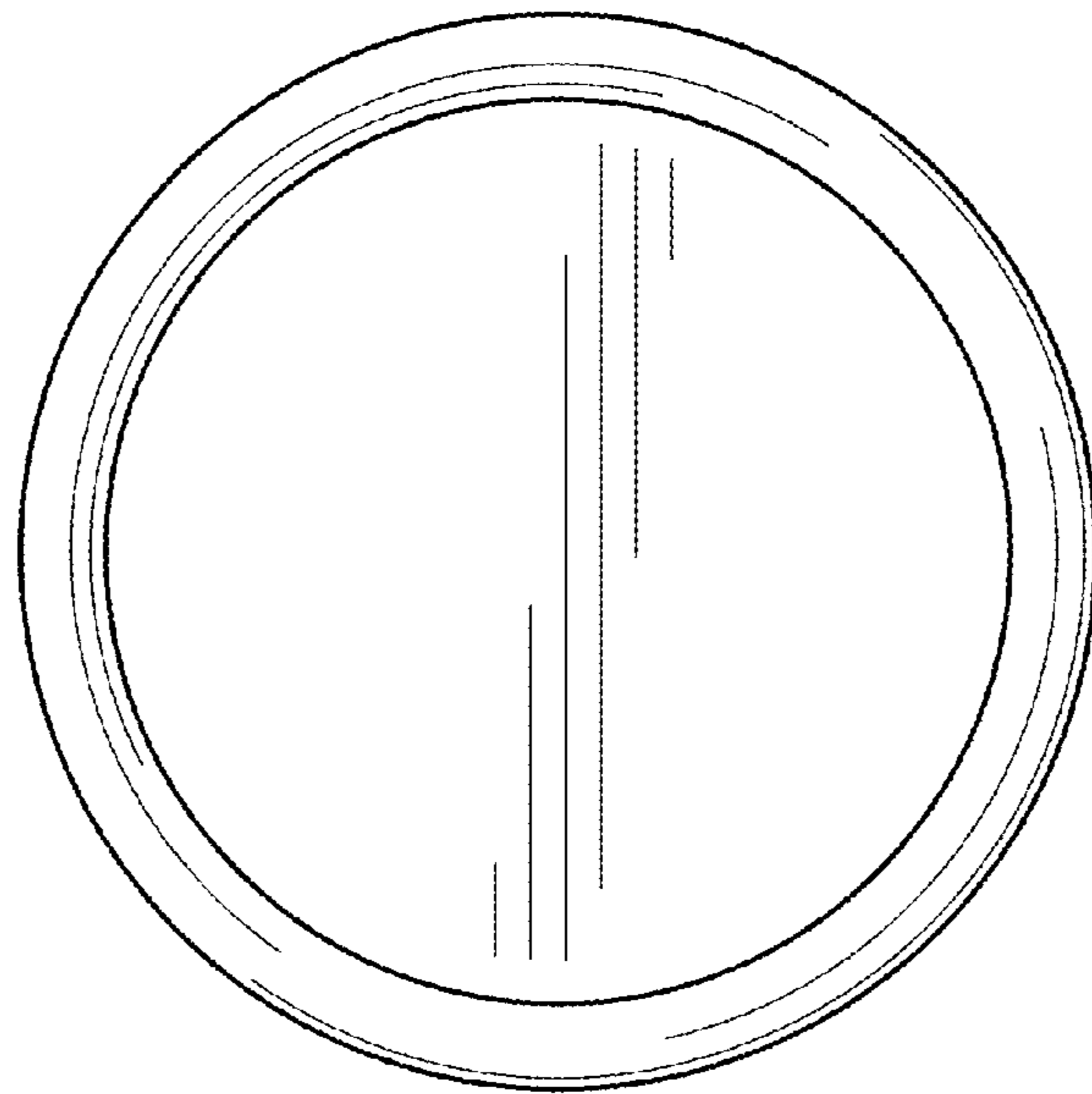


FIG. 3

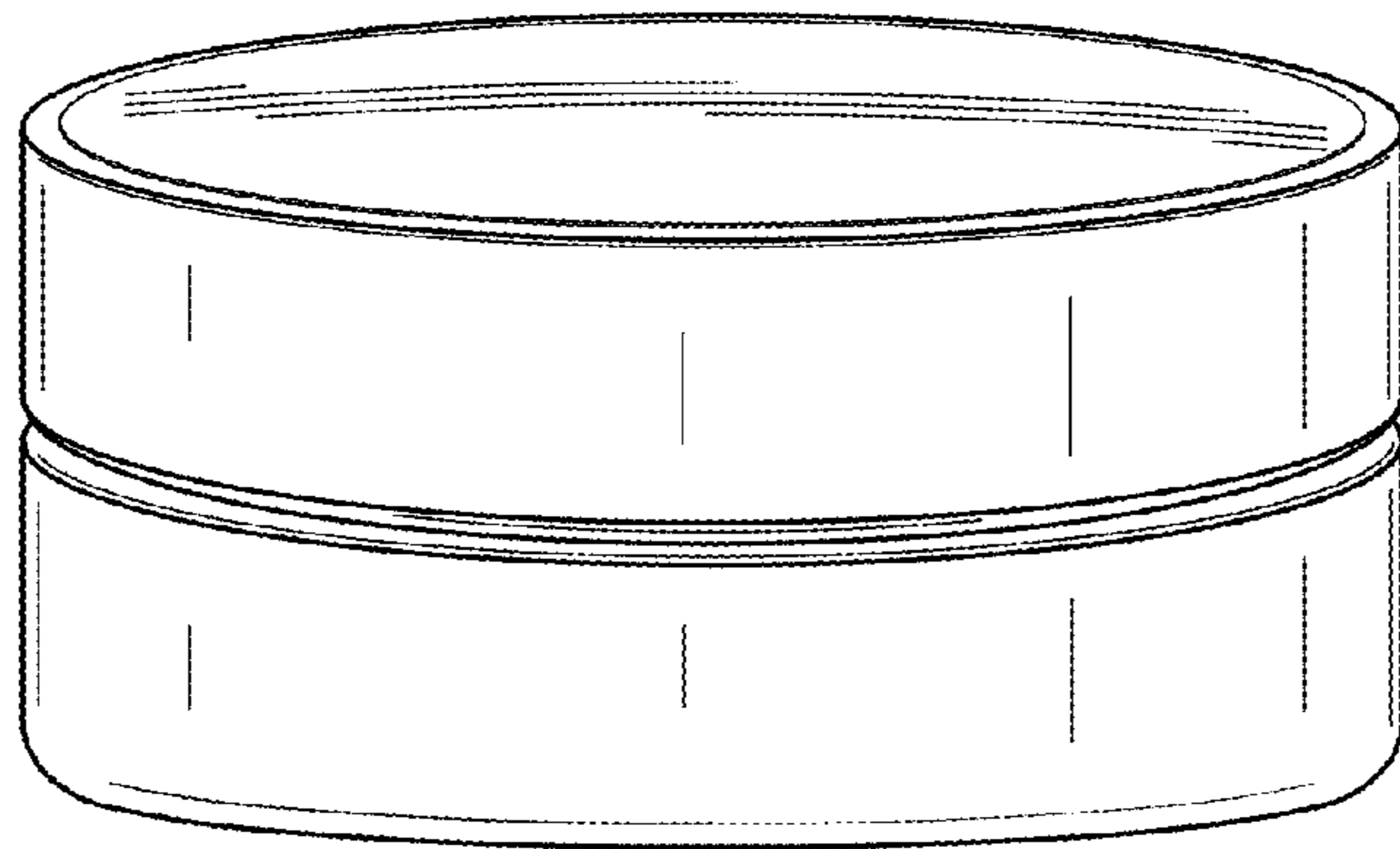


FIG. 4

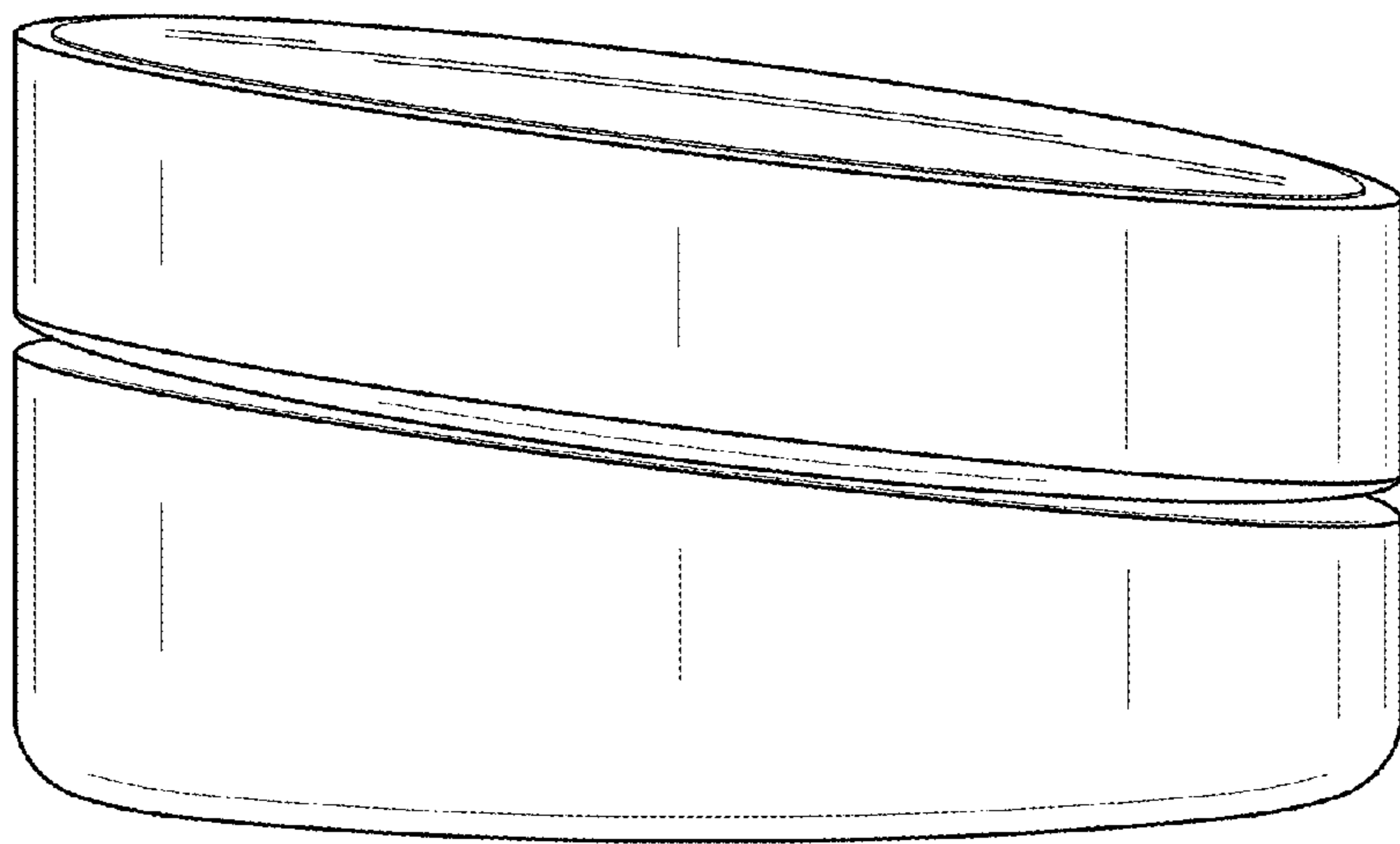


FIG. 5

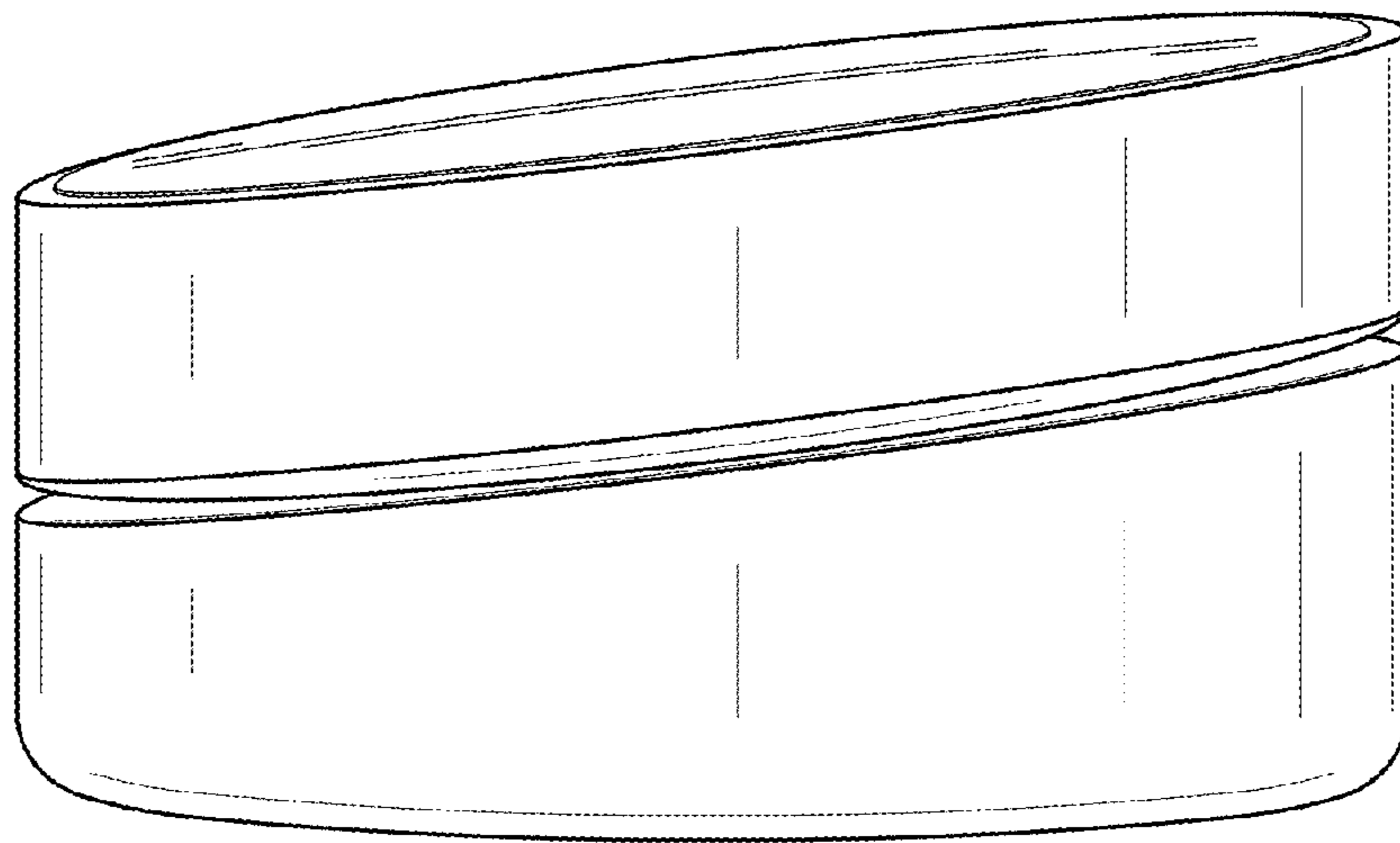


FIG. 6