



US00D729065S

(12) **United States Design Patent**
Muhl et al.

(10) **Patent No.:** **US D729,065 S**
(45) **Date of Patent:** **** May 12, 2015**

(54) **BOTTLE WITH CAP**

(75) Inventors: **Till Muhl**, Hamburg (DE); **Günter Wissmann**, Schenefeld (DE)

(73) Assignee: **Henkel AG & Co. KGaA**, Duesseldorf (DE)

(**) Term: **14 Years**

(21) Appl. No.: **29/412,408**

(22) Filed: **Feb. 2, 2012**

(30) **Foreign Application Priority Data**

Aug. 2, 2011 (EM) 001899659

(51) **LOC (10) Cl.** **09-01**

(52) **U.S. Cl.**
USPC **D9/529; D9/559; D9/569; D9/574**

(58) **Field of Classification Search**
USPC D9/516, 529–530, 541–543, 559, 569,
D9/571, 572, 574–575, 723, 724, 435,
D9/444–445, 452–453; 215/379, 381–385
See application file for complete search history.

(56) **References Cited**

U.S. PATENT DOCUMENTS

- D123,502 S * 11/1940 Jung D9/453
- D123,903 S * 12/1940 Deskey D9/724
- D180,828 S * 8/1957 Funky D9/571
- D198,964 S * 8/1964 Dash D24/115
- D236,686 S * 9/1975 Atkins D9/724
- D272,321 S * 1/1984 Kretz D9/542
- D273,764 S * 5/1984 Steigerwald et al. D9/529 X
- D302,117 S * 7/1989 Seris D9/558
- D322,565 S * 12/1991 Durand D9/573
- D338,159 S * 8/1993 Densky et al. D9/453 X
- D402,199 S * 12/1998 Saunders D9/724
- D418,064 S * 12/1999 Pritchard et al. D9/529
- D437,786 S * 2/2001 van Swieten et al. D9/574 X
- D446,720 S * 8/2001 Qvortrup D9/724

- D466,553 S * 12/2002 Yan D9/724
- D491,469 S * 6/2004 Horie et al. D9/529
- D531,052 S * 10/2006 Lee D9/723
- D545,218 S * 6/2007 Rushe D9/724
- D563,798 S * 3/2008 Gibson et al. D9/724
- D582,777 S * 12/2008 Mansau D9/529
- D624,641 S * 9/2010 Boclet D9/682 X

(Continued)

Primary Examiner — Carol P Rademaker

(74) *Attorney, Agent, or Firm* — James E. Piotrowski

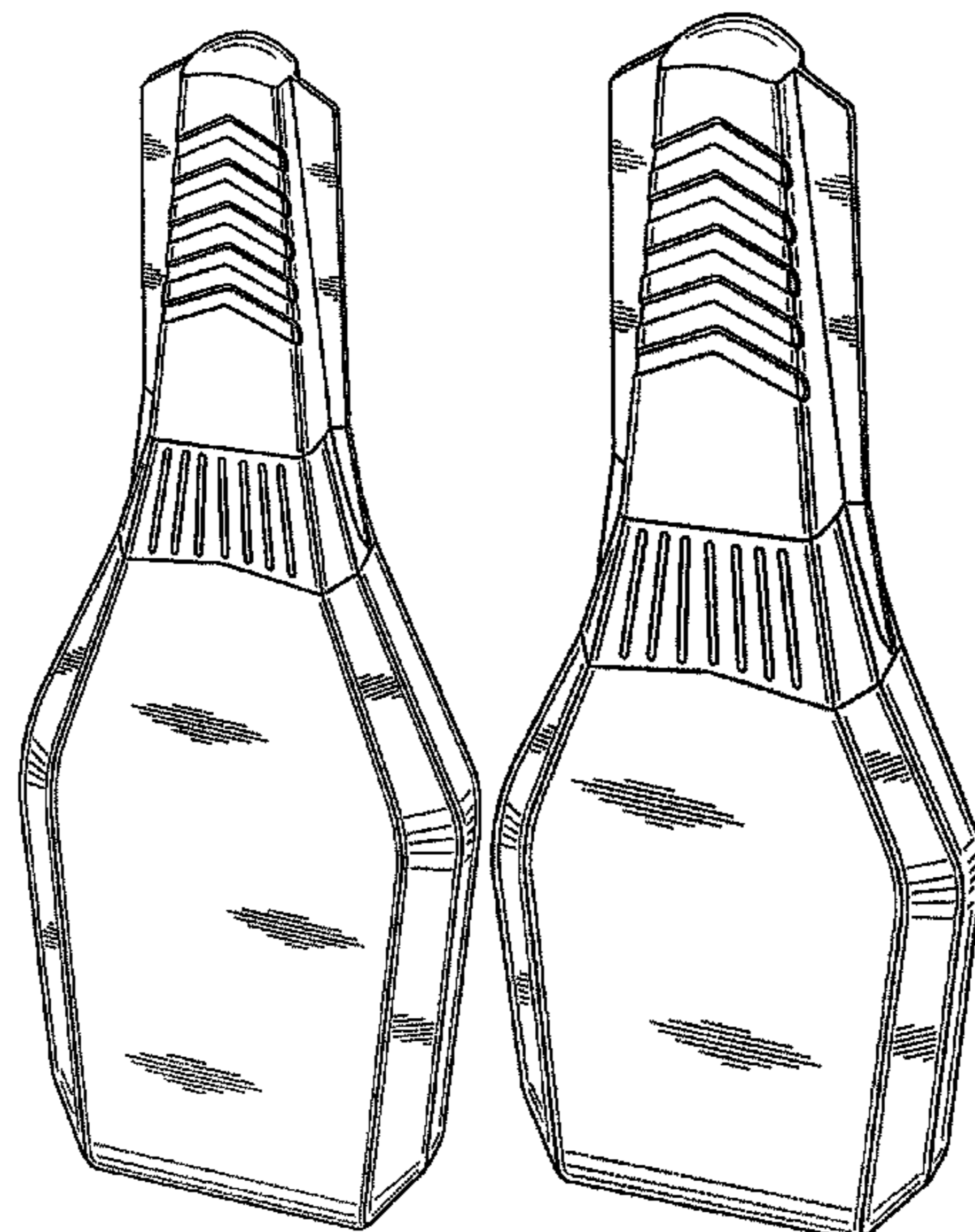
(57) **CLAIM**

The ornamental design for a bottle with cap, as shown and described.

DESCRIPTION

FIG. 1 is a top, front, right side perspective view of a bottle with cap according to a first embodiment of the new design; FIG. 2 is a front elevational view thereof, the rear elevational view being identical; FIG. 3 is a right side elevational view thereof, the left side elevational view being identical; FIG. 4 is a top plan view thereof, shown at an enlarged scale for clarity of illustration; FIG. 5 is a bottom plan view thereof; FIG. 6 is a top, front, right side perspective view of a bottle with cap according to a second embodiment of the new design; FIG. 7 is a front elevational view thereof, the rear elevational view being identical; FIG. 8 is a right side elevational view thereof, the left side elevational view being identical; FIG. 9 is a top plan view thereof, shown at an enlarged scale for clarity of illustration; and, FIG. 10 is a bottom plan view thereof. The broken lines shown on the bottom surface in FIGS. 5 and 10 are included for the purpose of illustrating environmental structure and form no part of the claimed design.

1 Claim, 8 Drawing Sheets



US D729,065 S

Page 2

(56)

References Cited

U.S. PATENT DOCUMENTS

D675,108 S * 1/2013 Muhl et al. D9/724
D679,996 S * 4/2013 Kersten D9/443 X

D679,997 S * 4/2013 Kersten D9/443 X
D681,478 S * 5/2013 Riffe D9/574 X
D707,566 S * 6/2014 Serrano et al. D9/724

* cited by examiner

FIGURE 1

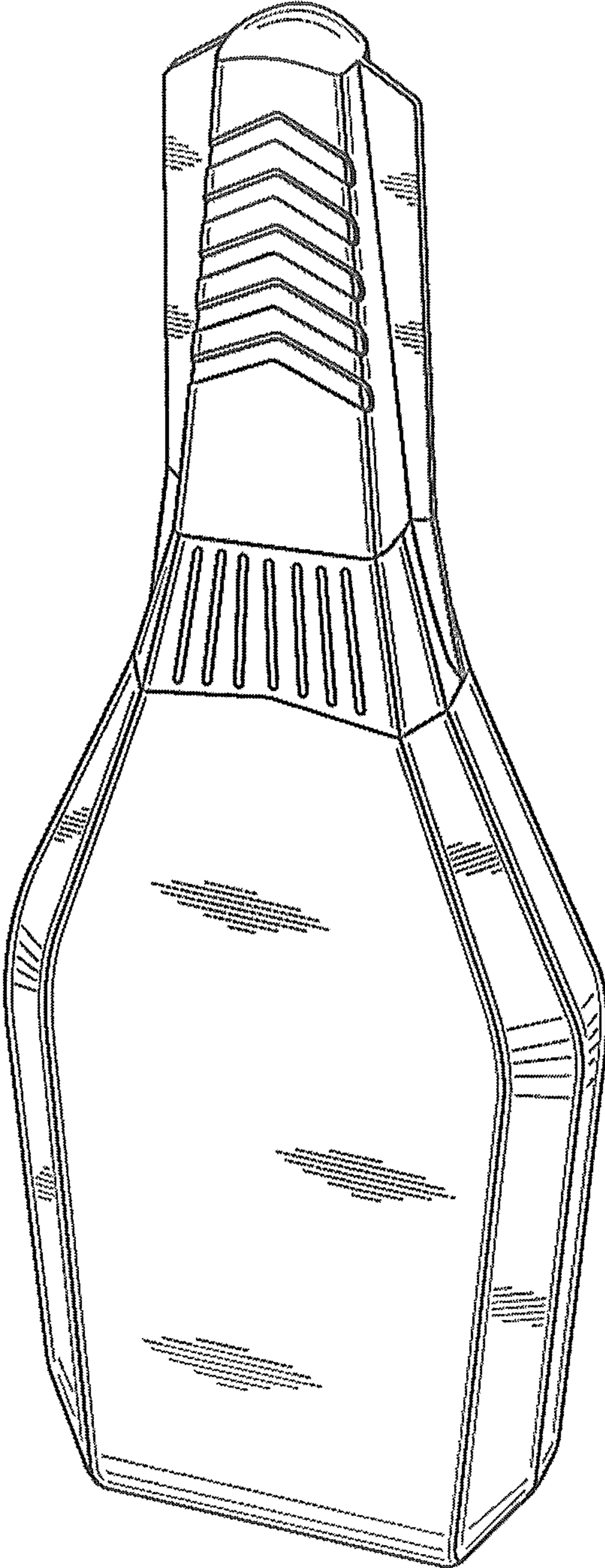


FIGURE 2

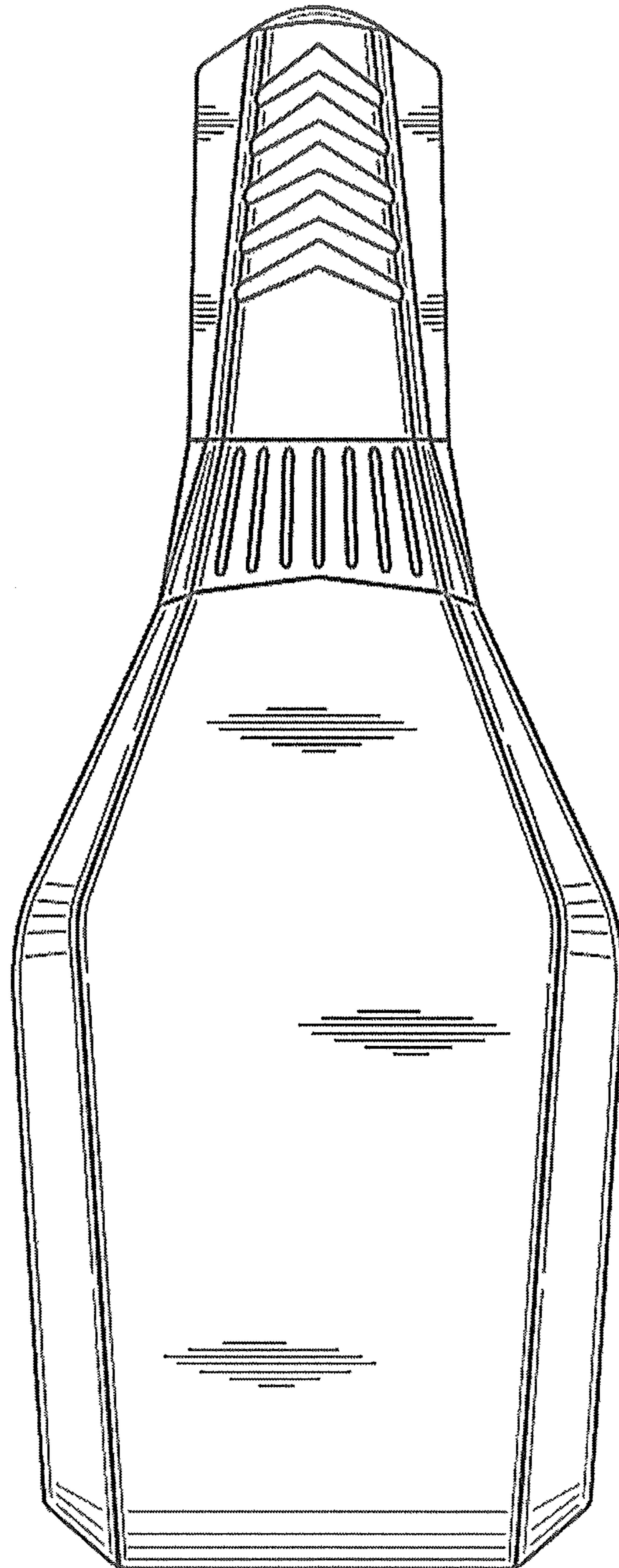
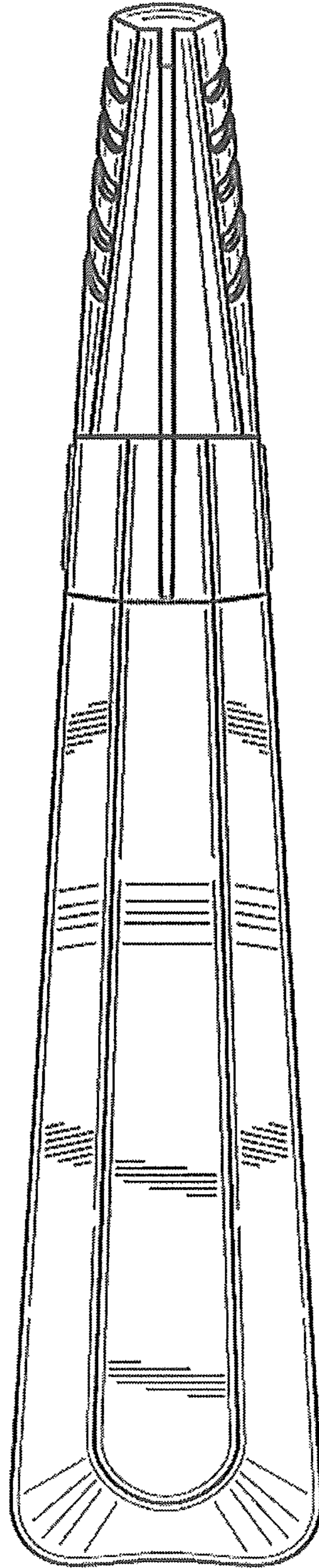


FIGURE 3



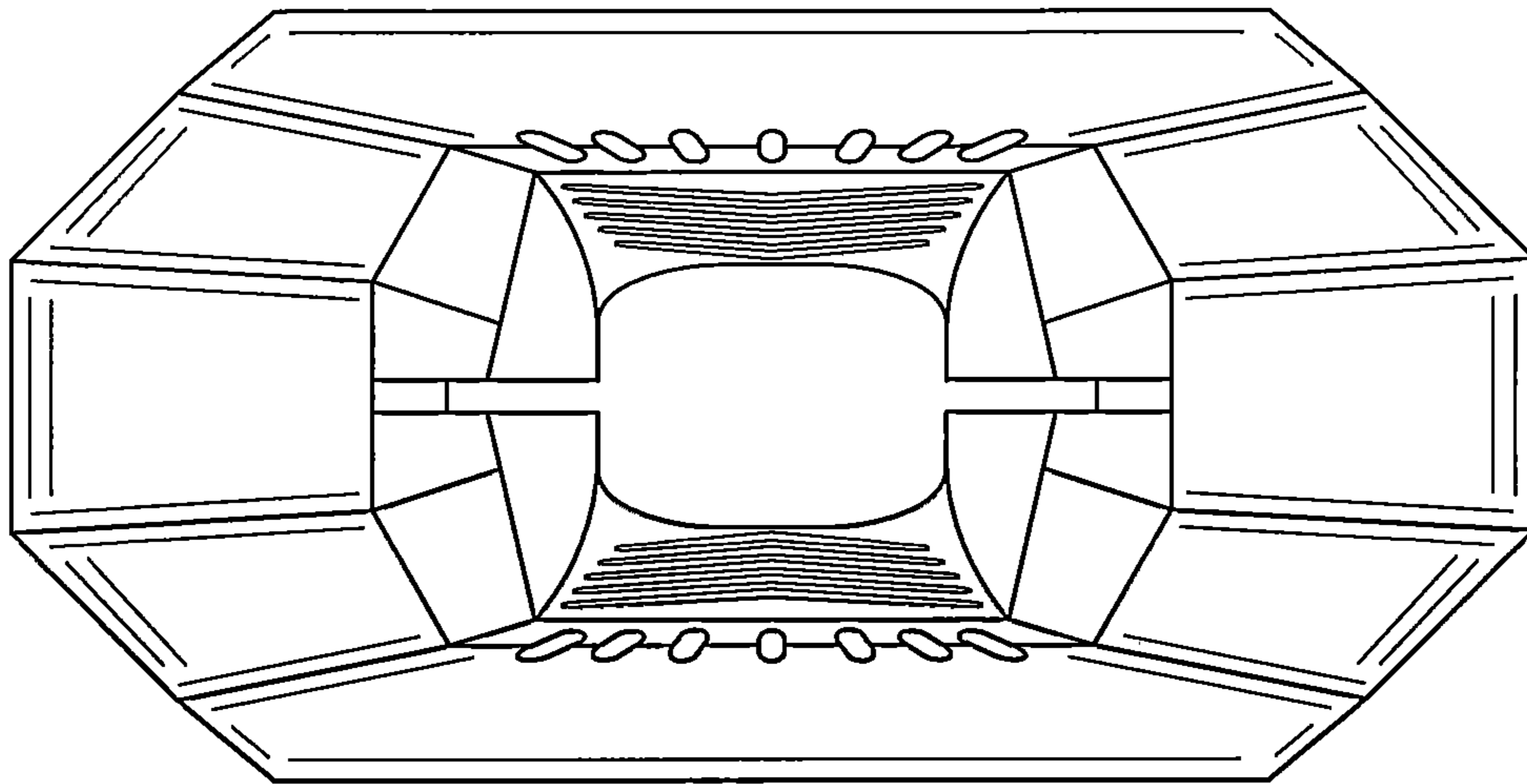


FIGURE 4

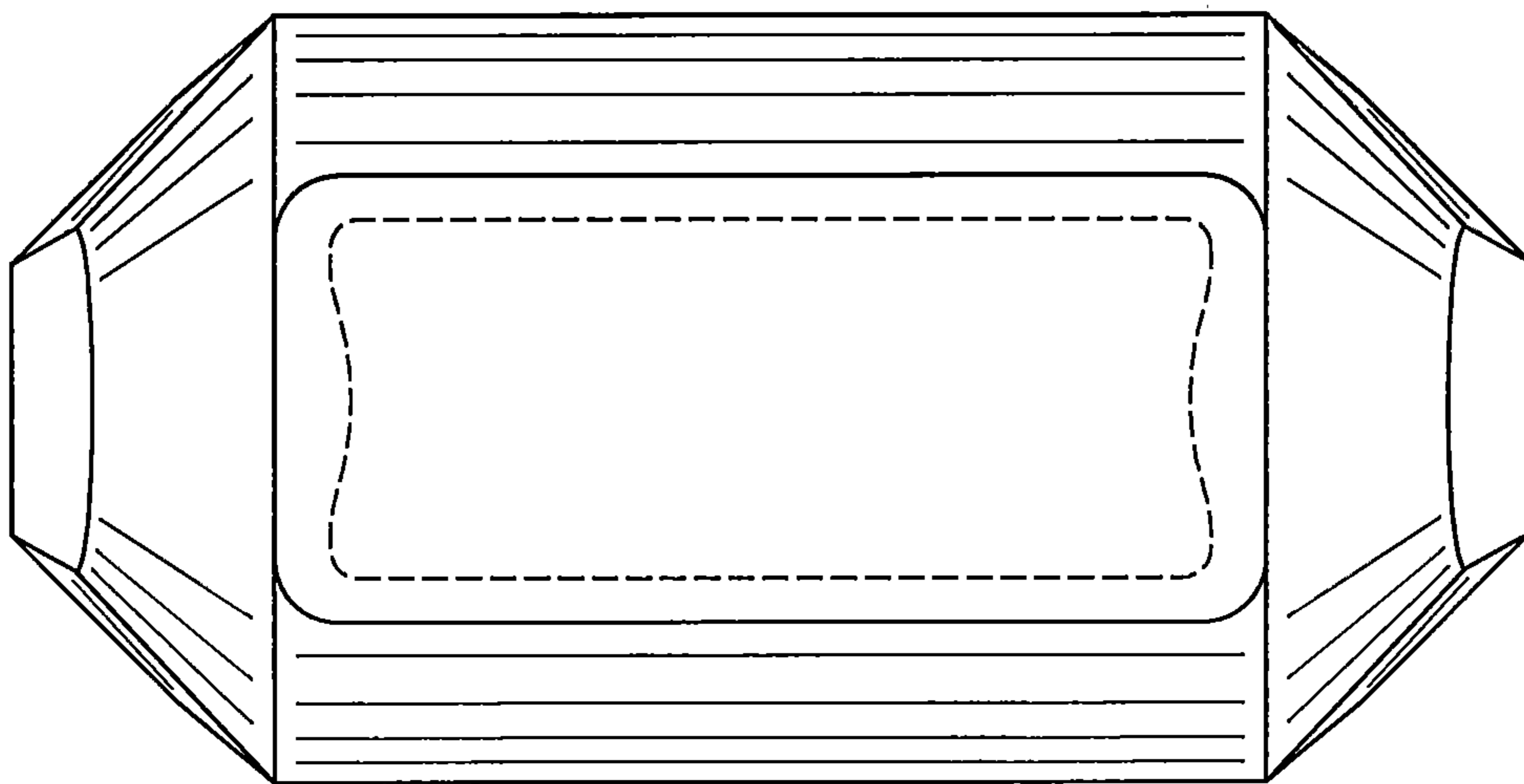


FIGURE 5

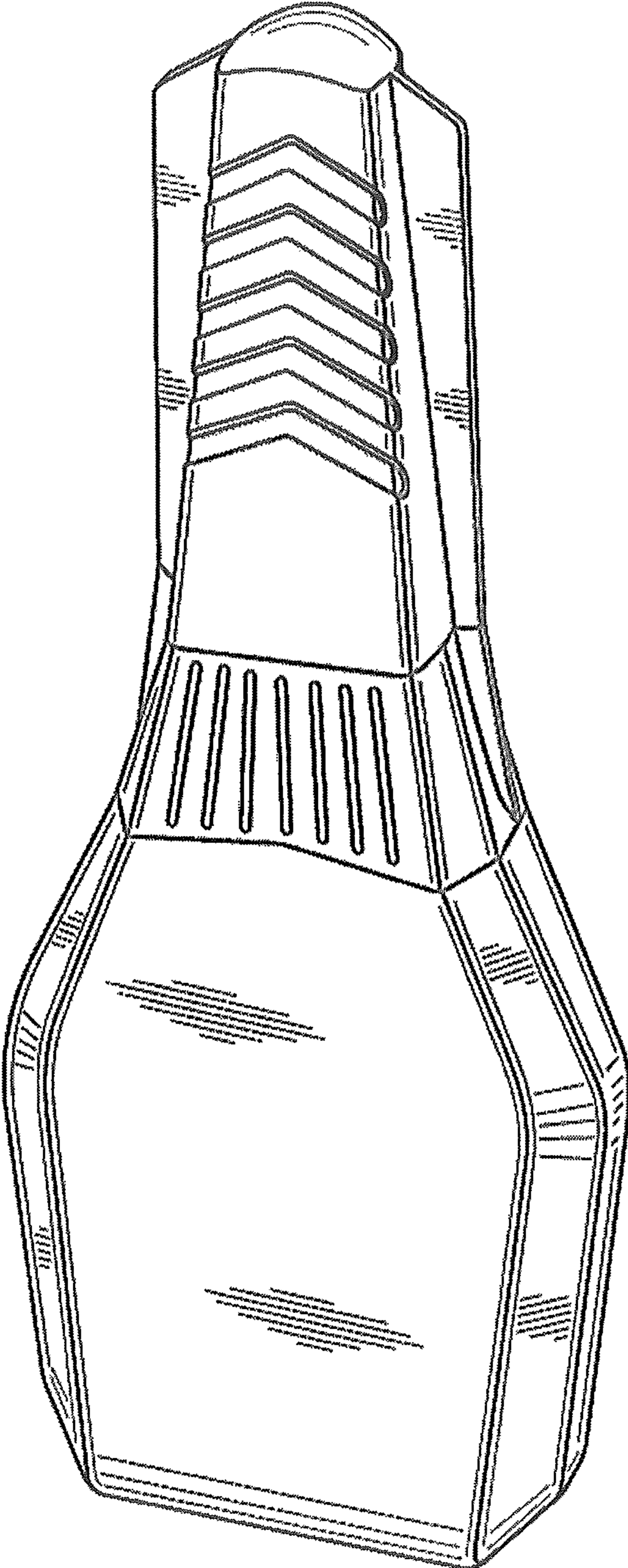


FIGURE 6

FIGURE 7

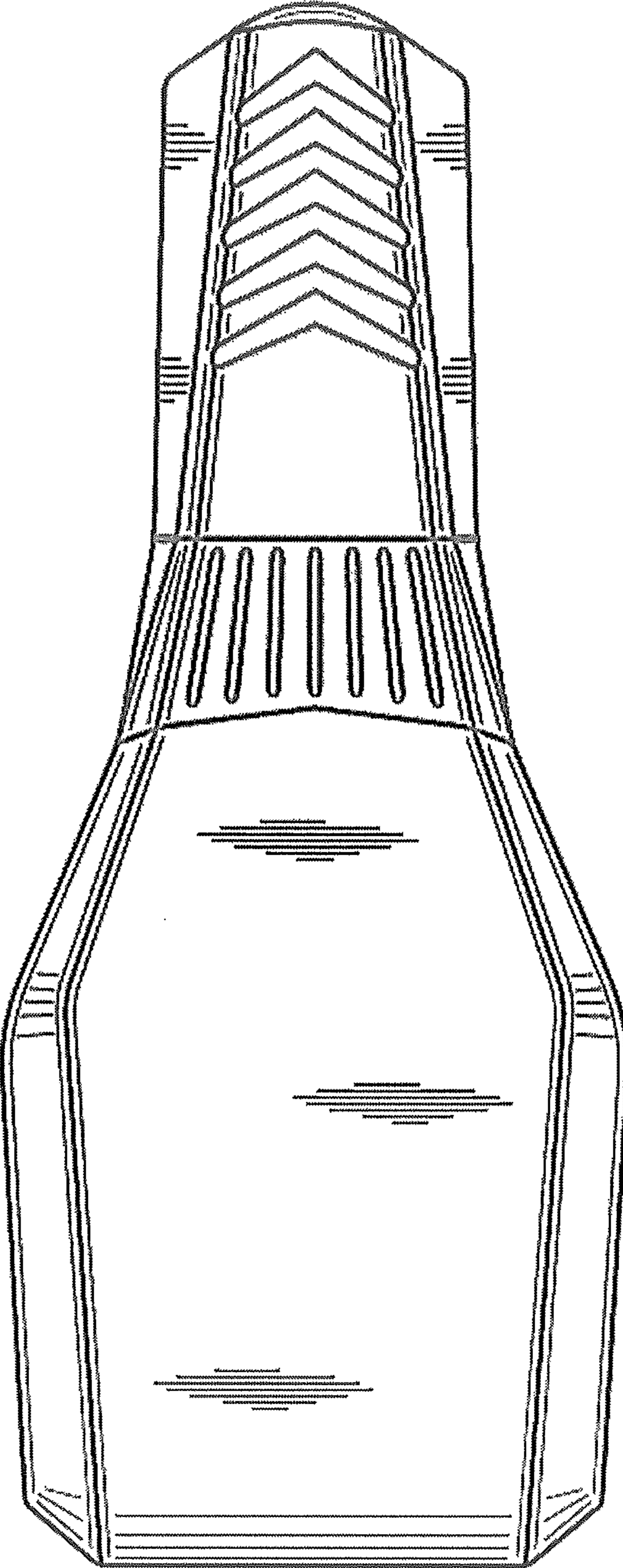
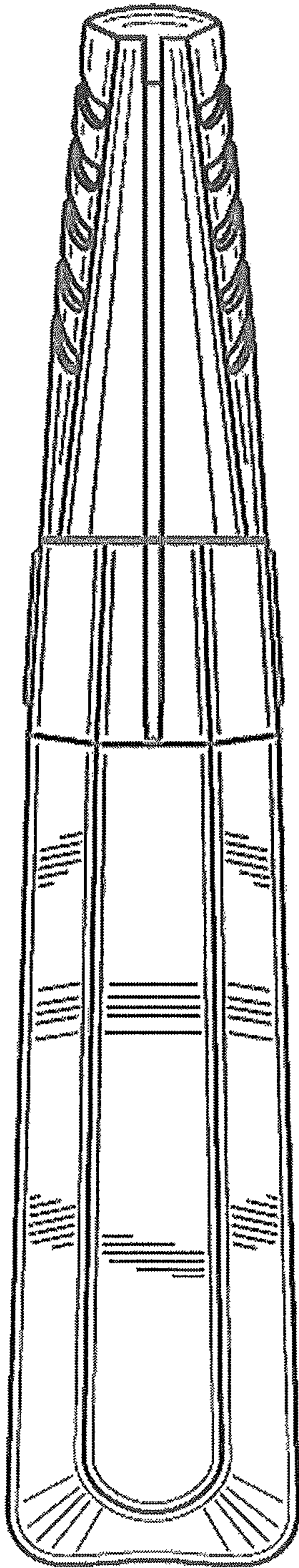


FIGURE 8



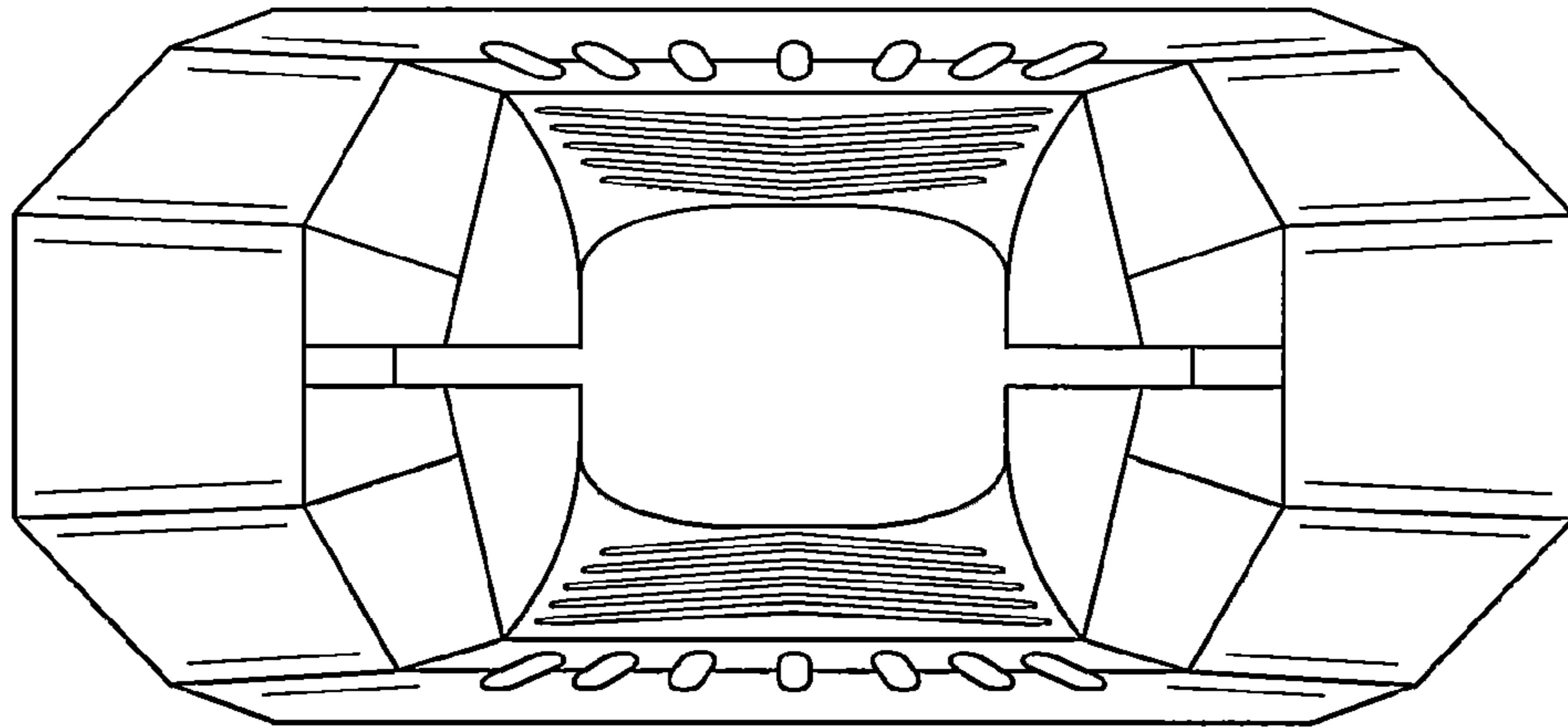


FIGURE 9

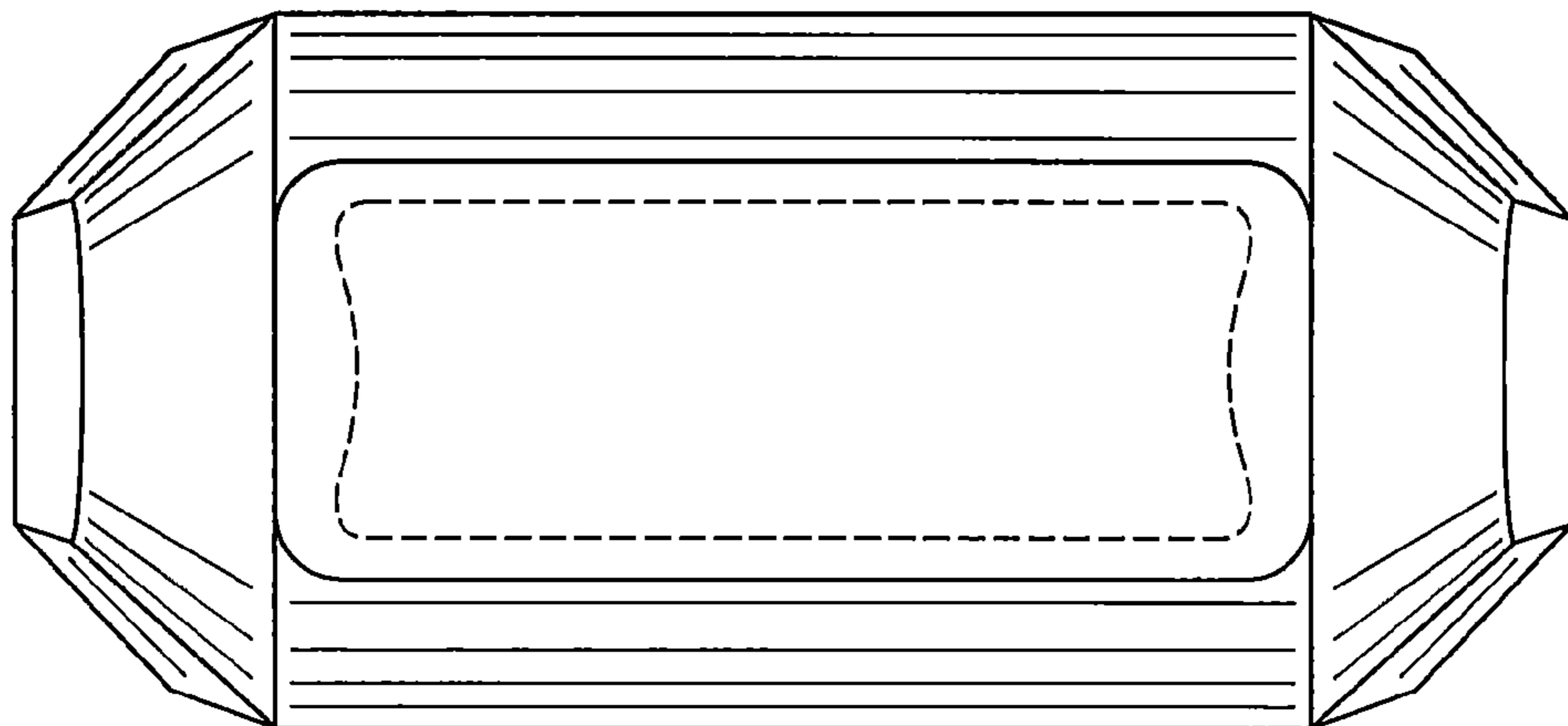


FIGURE 10