



US00D729063S

(12) **United States Design Patent**  
**Koop et al.**

(10) **Patent No.:** **US D729,063 S**

(45) **Date of Patent:** **\*\* May 12, 2015**

(54) **BOTTLE STOPPER**

(71) Applicant: **DURAN Group GmbH**, Wertheim (DE)

(72) Inventors: **Norbert Koop**, Hamburg (DE); **Jan Sokoll**, Hamburg (DE)

(73) Assignee: **DURAN Group GmbH**, Wertheim (DE)

(\*\*) Term: **14 Years**

(21) Appl. No.: **29/470,520**

(22) Filed: **Oct. 22, 2013**

(30) **Foreign Application Priority Data**

Sep. 25, 2013 (EM) ..... 002315218

(51) **LOC (10) Cl.** ..... **09-07**

(52) **U.S. Cl.**  
USPC ..... **D9/439**

(58) **Field of Classification Search**

USPC ..... D9/434, 435, 436, 439, 440, 445, 446,  
D9/452, 499; D7/392.1; 215/30, 307, 355;  
220/203.13, 787; 141/64, 65, 66

See application file for complete search history.

(56) **References Cited**

**U.S. PATENT DOCUMENTS**

D125,896 S \* 3/1941 Lorenzen ..... D9/439  
D229,172 S \* 11/1973 Khoury ..... D9/440  
4,202,334 A \* 5/1980 Elson ..... 604/415

D471,104 S \* 3/2003 Hunt ..... D9/439  
D551,970 S \* 10/2007 Didier ..... D9/439  
D566,461 S \* 4/2008 McDonald ..... D7/398  
D629,648 S \* 12/2010 McDonald ..... D7/398

**OTHER PUBLICATIONS**

Duran Polyethylene Stopper, 3 pages including enlarged view of photo, (c) 2009; found online at Duran Group site: <http://www.duran-group.com/en/products-solutions/laboratory-glassware/products/volumetric-glassware/stopper.html>.\*

\* cited by examiner

*Primary Examiner* — Robert M Spear

(74) *Attorney, Agent, or Firm* — Stephen J. Weyer, Esq.; Stites & Harbison, PLLC

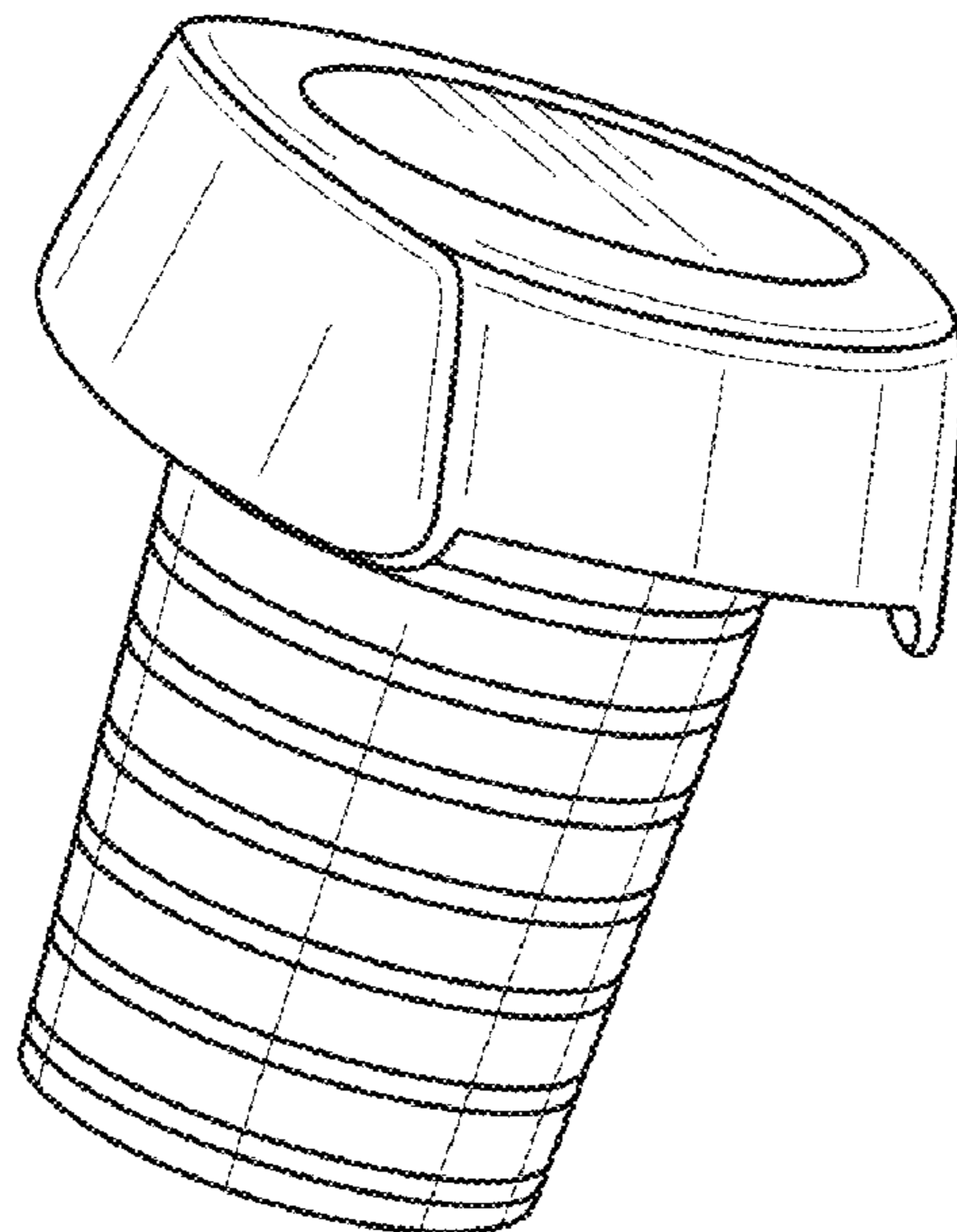
(57) **CLAIM**

The ornamental design for a bottle stopper, as shown and described.

**DESCRIPTION**

FIG. 1 is a perspective view taken from the top, front, and right side of the bottle stopper of the present invention. FIG. 2 is a left side elevational view of the bottle stopper of FIG. 1, the opposite side being nearly a mirror image thereof. FIG. 3 is a front elevational view of the bottle stopper of FIG. 1, the opposite side, rear, being a mirror image thereof. FIG. 4 is a top plan view of the bottle stopper of FIG. 1; and, FIG. 5 is a bottom plan view of the bottle stopper of FIG. 1. The broken lines in the drawings represent unclaimed environmental subject matter and form no part of the claim.

**1 Claim, 2 Drawing Sheets**



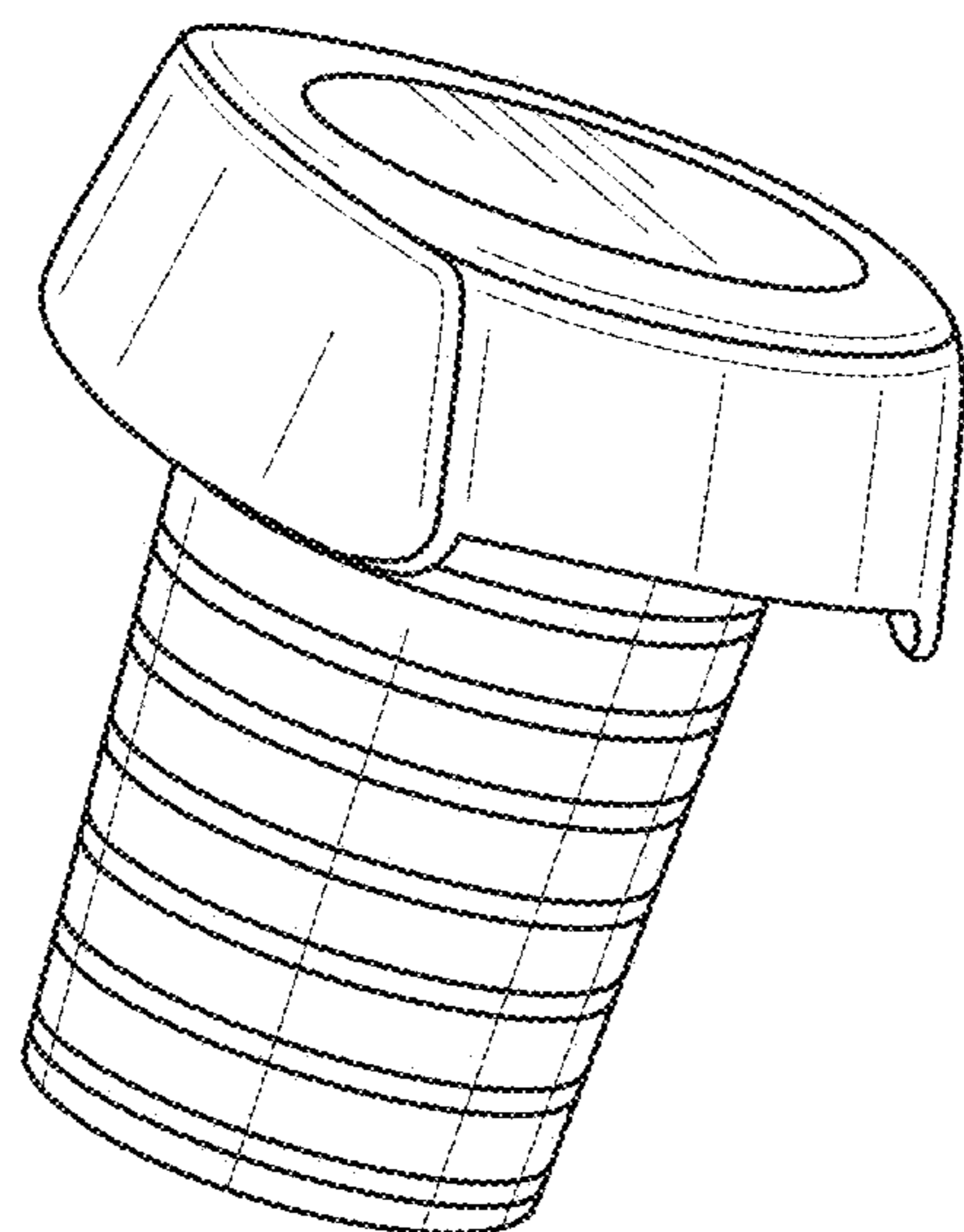


FIG. 1

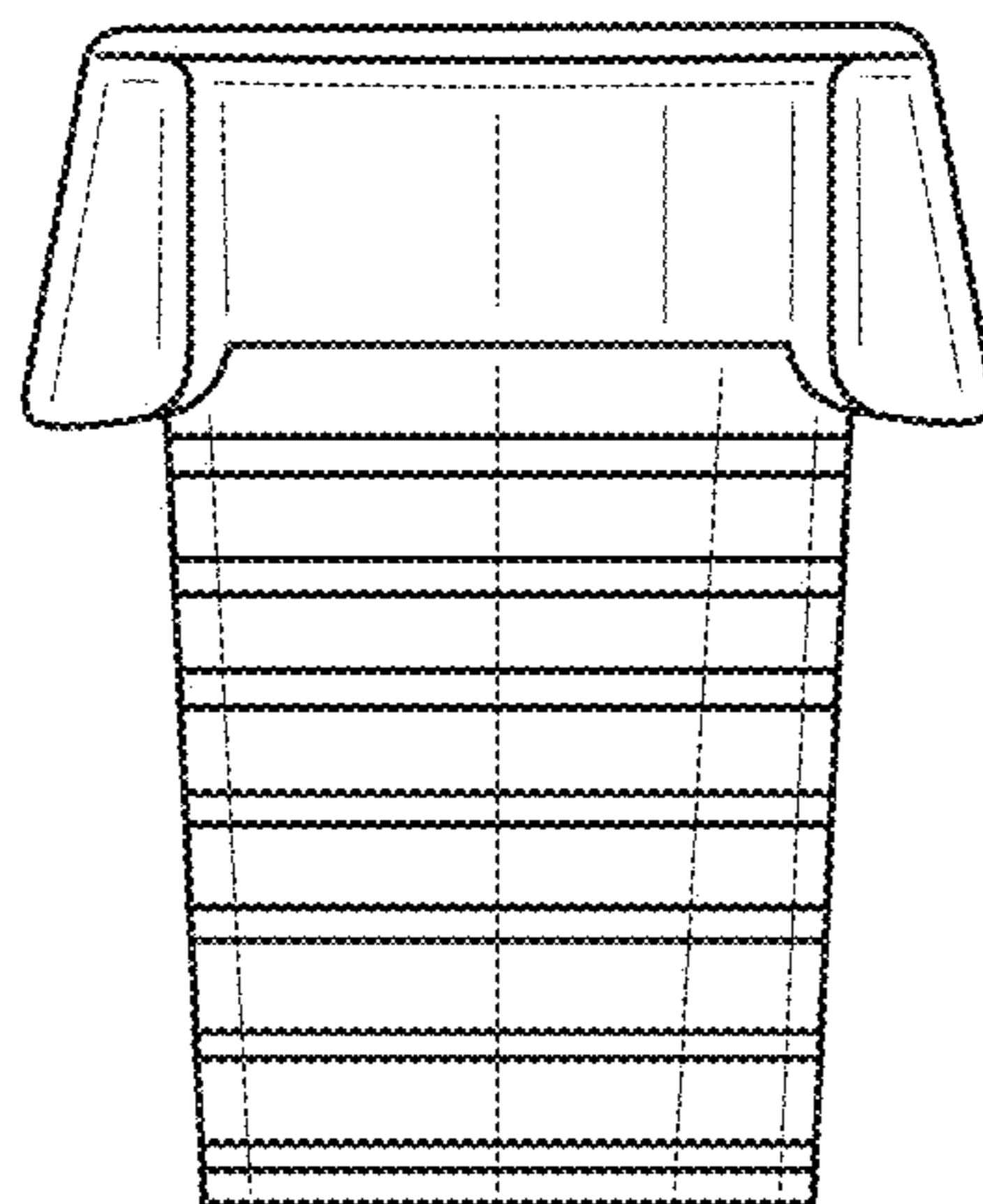


FIG. 2

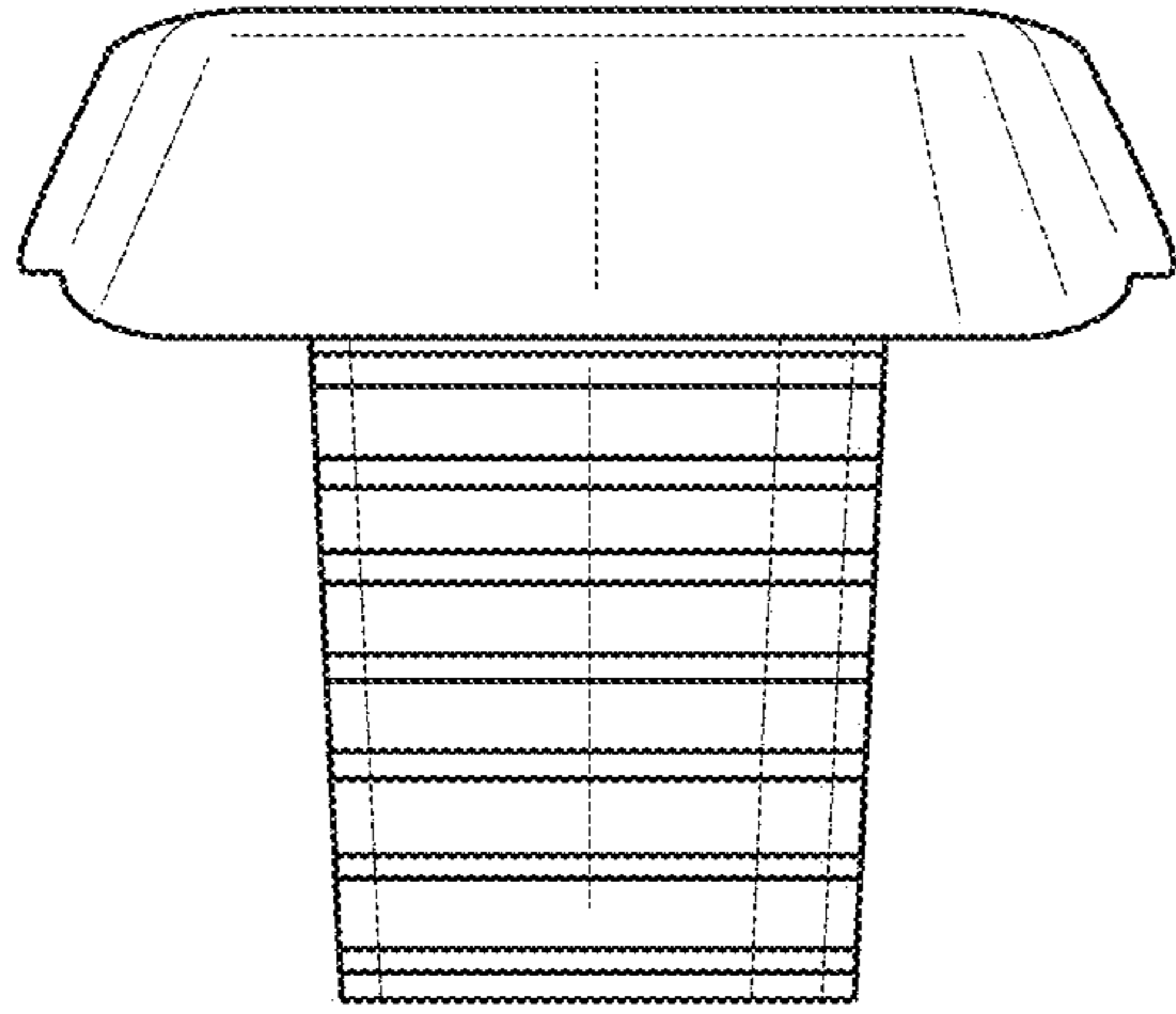


FIG. 3

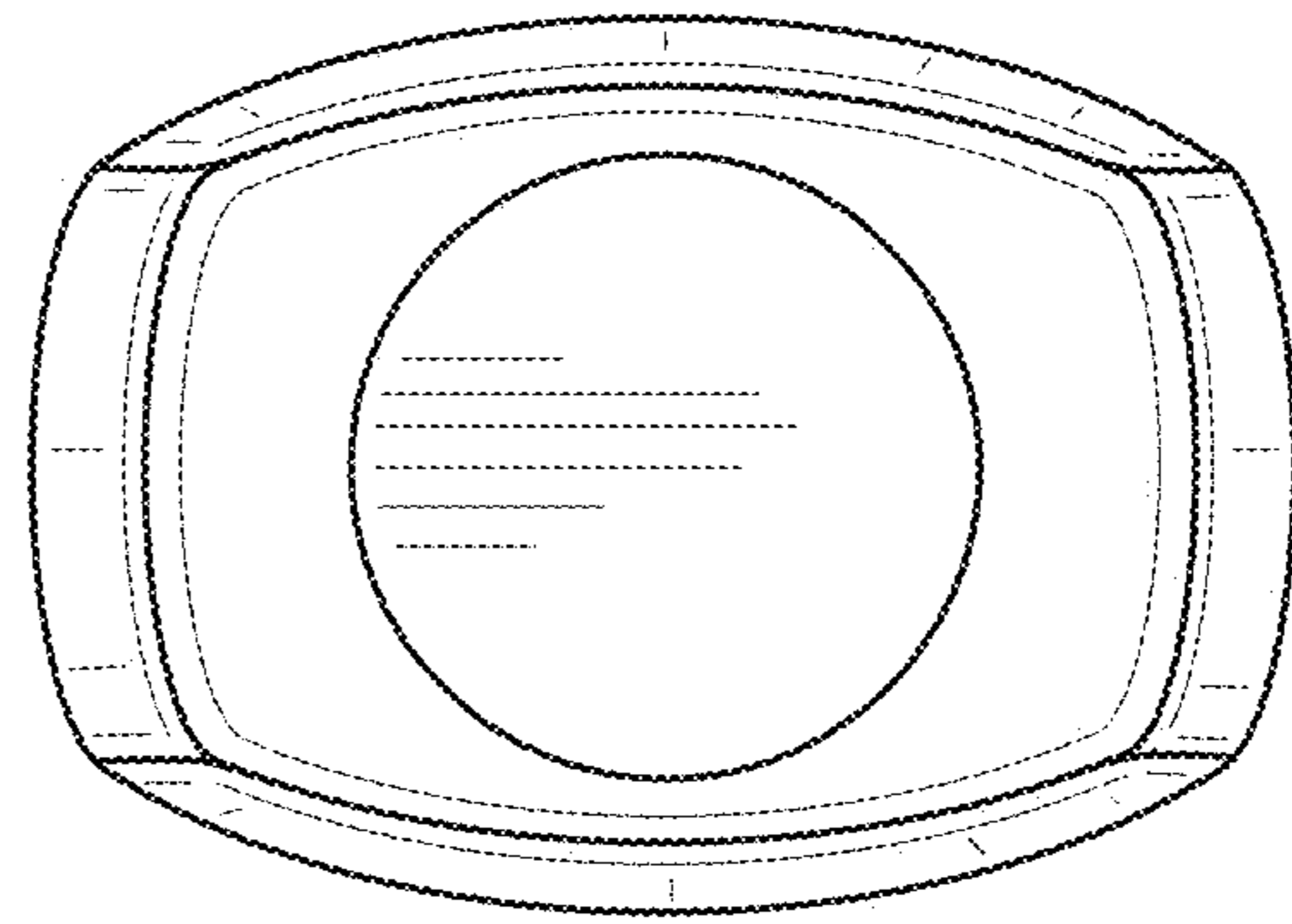


FIG. 4

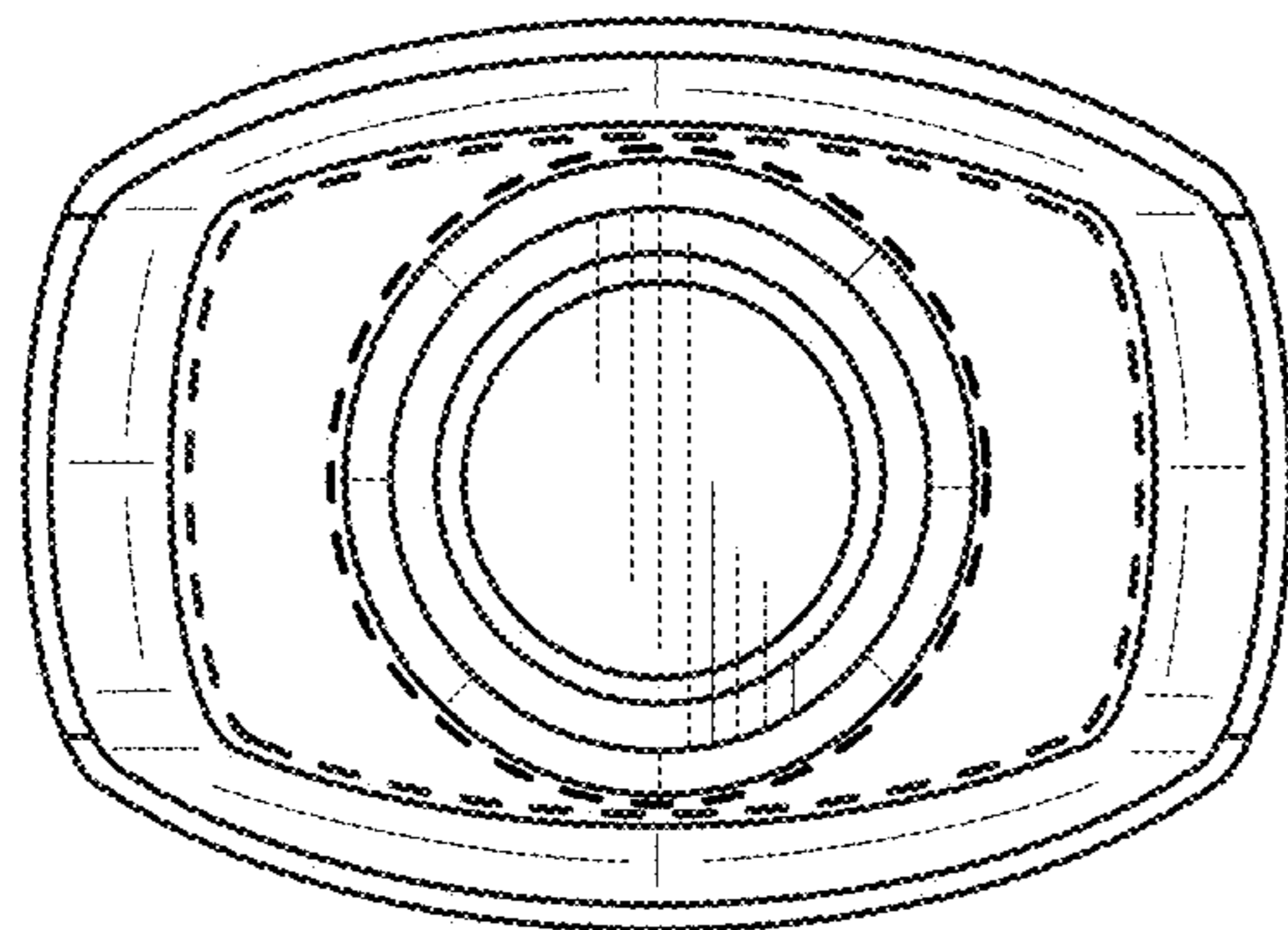


FIG. 5