

US00D729062S

(12) **United States Design Patent**
Julius et al.

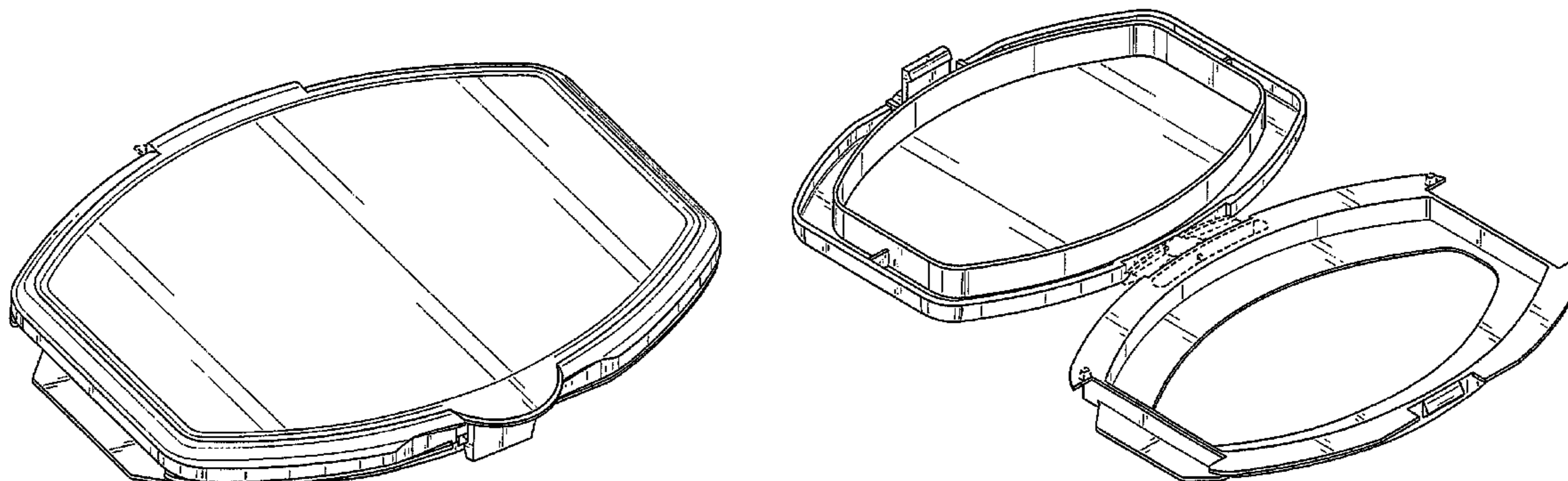
(10) **Patent No.:** **US D729,062 S**
(45) **Date of Patent:** **** May 12, 2015**

- (54) **CLOSURE FOR A PACKAGE**
- (71) Applicant: **Nice-Pak Products, Inc.**, Orangeburg, NY (US)
- (72) Inventors: **Robert P. Julius**, Greenwich, CT (US); **Michael Mooney**, Florida, NY (US); **Gerard Anthony Cahalan**, New Milford, CT (US); **Nelson David Singleton**, Martinsville, IN (US)
- (73) Assignee: **Nice-Pak Products, Inc.**, Orangeburg, NY (US)
- (**) Term: **14 Years**
- (21) Appl. No.: **29/488,120**
- (22) Filed: **Apr. 16, 2014**
- (51) **LOC (10) Cl.** **09-07**
- (52) **U.S. Cl.**
USPC **D9/435**
- (58) **Field of Classification Search**
CPC B65D 2251/1016; B65D 75/5838
USPC D3/294, 302, 318; D6/512, 515-523; D7/601, 602, 629; D9/434-436, 443, D9/449, 454, 456, 499, 502, 503, 504, 715, D9/717, 718, 730, 734; 206/37, 494, 581, 206/711, 804, 812; 211/13.1, 48, 49.1; 220/200, 281, 662, 675, 740, 780-799, 220/802, 839; 221/186; 222/424.5; 312/34.1, 34.4; 383/66
See application file for complete search history.

4,216,763 A	8/1980	Miklas	
4,469,243 A	9/1984	Ito et al.	
4,879,442 A	11/1989	Giovine	
5,054,612 A	10/1991	Meyer et al.	
5,145,088 A	9/1992	Goujon	
5,667,092 A	9/1997	Julius et al.	
D414,637 S *	10/1999	Amundson et al.	D9/734
6,092,687 A	7/2000	Hupp et al.	
D443,450 S *	6/2001	Ruhotas et al.	D6/515
D443,451 S *	6/2001	Buck et al.	D6/518
D443,508 S *	6/2001	Braaten et al.	D9/734
6,269,969 B1 *	8/2001	Huang et al.	220/835
D450,960 S *	11/2001	Boyea et al.	D6/515
6,343,707 B2	2/2002	Cheng	
6,478,181 B1	11/2002	Krupa et al.	
6,499,626 B1	12/2002	Julius	
D473,740 S *	4/2003	Ruhotas et al.	D6/515
6,571,985 B2	6/2003	Wilkes et al.	
6,672,474 B2	1/2004	May et al.	
6,688,483 B2	2/2004	Davis	
6,702,109 B1	3/2004	Tabuchi	
6,702,147 B2	3/2004	Ashford	
6,863,192 B2	3/2005	Tumlinson	
D526,195 S	8/2006	Jelich et al.	
D526,562 S	8/2006	Jelich et al.	
D527,999 S	9/2006	Jelich et al.	
D529,802 S	10/2006	Jelich et al.	
D529,803 S	10/2006	Zaidman	
D530,204 S	10/2006	Zaidman	
D538,160 S	3/2007	Liebe et al.	
D545,097 S *	6/2007	Schlaupitz et al.	D6/518
D546,602 S *	7/2007	Chasid et al.	D6/518
D548,080 S *	8/2007	Brown et al.	D9/449
7,416,083 B2	8/2008	Bando	
7,490,734 B2	2/2009	Carr	
D608,193 S	1/2010	Sanfilippo et al.	
D609,566 S *	2/2010	LaMasney	D9/435
D618,515 S *	6/2010	Roth et al.	D7/629
7,832,555 B2	11/2010	Flannery	
D640,058 S *	6/2011	Molina	D3/294
D656,021 S	3/2012	Dunn et al.	
D665,259 S	8/2012	Dunn et al.	
D671,000 S	11/2012	O'Neill et al.	
D705,081 S *	5/2014	Berger et al.	D9/734
2004/0089578 A1 *	5/2004	Lin	206/494
2005/0207680 A1 *	9/2005	Schumacher et al.	383/66
2009/0152290 A1	6/2009	Wang et al.	
2009/0223993 A1	9/2009	Lorenzati	
2010/0089935 A1 *	4/2010	Heilman et al.	220/833
2010/0258580 A1	10/2010	Decker et al.	
2011/0309099 A1 *	12/2011	Bandoh et al.	220/849

(56) **References Cited**
U.S. PATENT DOCUMENTS

2,841,275 A	7/1958	Schwimmer et al.
2,841,276 A	7/1958	Schwimmer et al.
3,033,362 A	5/1962	Marcalus
3,141,569 A	7/1964	Hanson
3,331,498 A	7/1967	Davies
3,448,888 A	6/1969	Stafford et al.
3,825,049 A	7/1974	Swett et al.
4,022,319 A	5/1977	Jenkins



2014/0001196	A1 *	1/2014	Bushman et al.	221/45
2014/0048553	A1	2/2014	Julius et al.	
2014/0175110	A1 *	6/2014	Bechyne	221/45

FOREIGN PATENT DOCUMENTS

CA	2269379	10/2000
EP	0 371 539	6/1990
EP	0 583 831	2/1994

OTHER PUBLICATIONS

Mom's Balancing Act. New and Improved Free & Clear Baby Wipes—Review. Mar. 28, 2013 [online], [site visited Jan. 14, 2015]. Available from Internet, <URL:http://www.momsbalancingact.com/2013/03/new-and-improved-free-clear-baby-wipes.html>.*

The Health & Medical Supplies. Assurance Premium Extra Large Pre-Moistened Disposable Washcloths Easy Press-Open Lid. Jan. 13, 2015 [online], [site visited Jan. 14, 2015]. Available from Internet, <URL:http://www.bestlovingfilipina.com/assurance-premium-extra-large-pre-moistened-disposable-washcloths-easy-press-open-lid-96ct-3-packs-288ct-total/>.*

Sears. Prevail Premium Adult Washcloths-Soft Pak. Oct. 9, 2010 [online], [site visited Jan. 14, 2015]. Available from Internet, <URL:http://www.sears.com/first-quality-products-prevail-premium-adult-washcloths-48-pack/p-SPM5881982501>.*

Primary Examiner — Robert M Spear

Assistant Examiner — Darcey E Hefflin

(74) *Attorney, Agent, or Firm* — Baker Botts L.L.P.

(57) **CLAIM**

The ornamental design for closure for a package, as shown and described.

DESCRIPTION

FIG. 1 is a perspective view of the closure for a package shown in a closed configuration.

FIG. 2 is a front view of the closure for a package of FIG. 1 shown in the closed configuration.

FIG. 3 is a back view of the closure for a package of FIG. 1 shown in the closed configuration.

FIG. 4 is a left side view of the closure for a package of FIG. 1 shown in the closed configuration.

FIG. 5 is a right side view of the closure for a package of FIG. 1 shown in the closed configuration.

FIG. 6 is a top view of the closure for a package of FIG. 1 shown in the closed configuration.

FIG. 7 is a bottom view of the closure for a package of FIG. 1 shown in the closed configuration.

FIG. 8 is a perspective view of the closure for a package of FIG. 1 coupled to a base of the package and shown in the closed configuration.

FIG. 9 is a perspective view of the closure for a package of FIG. 1 shown in an open configuration.

FIG. 10 is a front view of the closure for a package of FIG. 9 shown in an open configuration.

FIG. 11 is a back view of the closure for a package of FIG. 9 shown in an open configuration.

FIG. 12 is a left side view of the closure for a package of FIG. 9 shown in an open configuration.

FIG. 13 is a right side view of the closure for a package of FIG. 9 shown in an open configuration.

FIG. 14 is a top view of the closure for a package of FIG. 9 shown in an open configuration.

FIG. 15 is a bottom view of the closure for a package of FIG. 9 shown in an open configuration; and,

FIG. 16 is a perspective view of the closure for a package of FIG. 9 coupled to the base of the package and shown in an open configuration.

The broken lines in the drawings depict environmental subject matter and form no part of the claim.

1 Claim, 12 Drawing Sheets

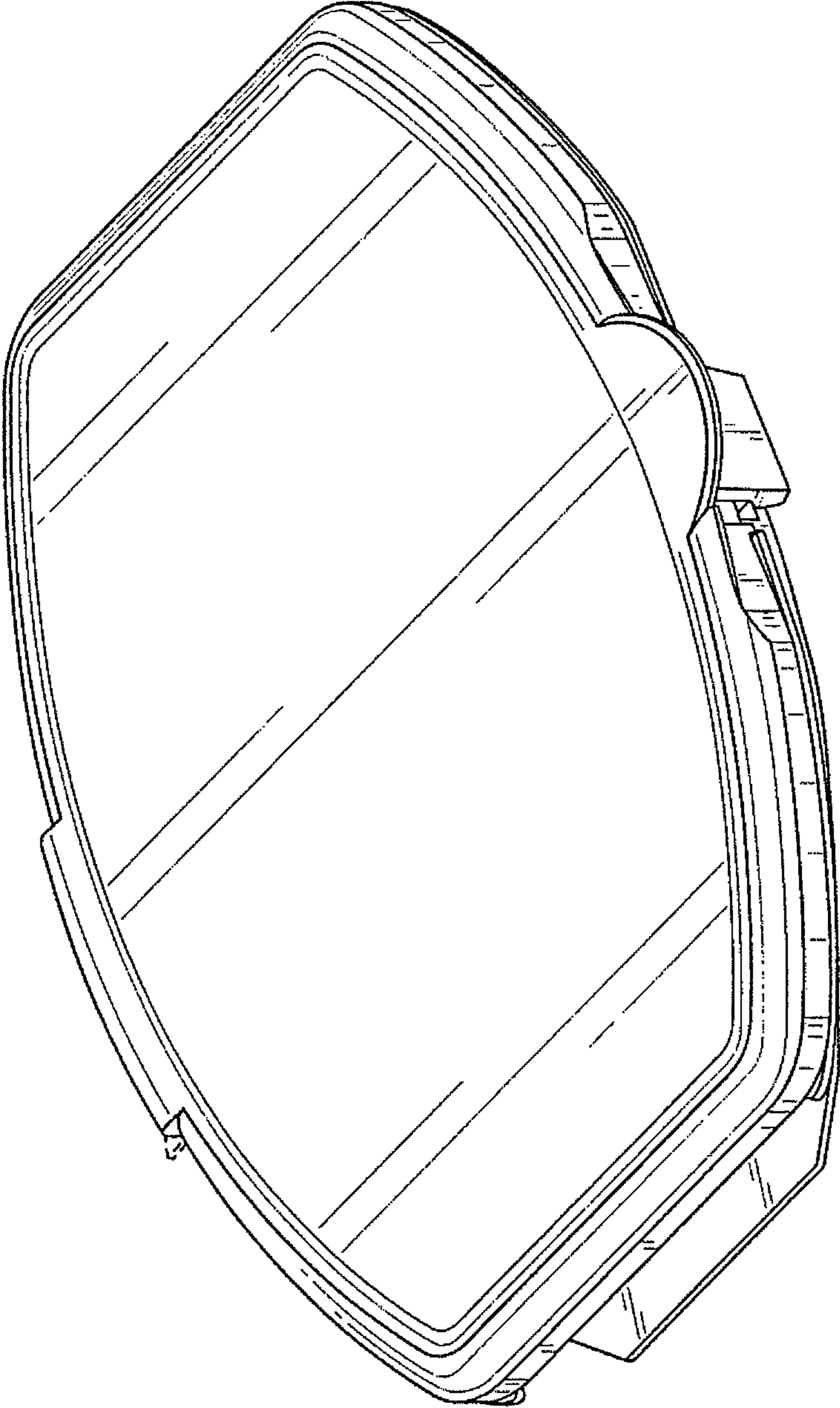


FIG. 1

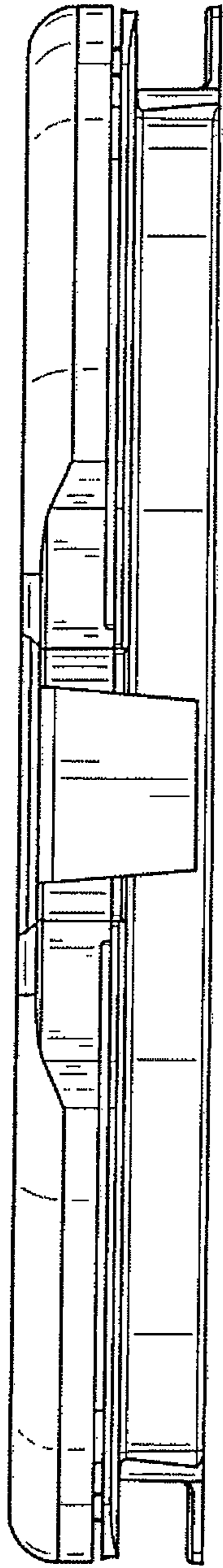


FIG. 2

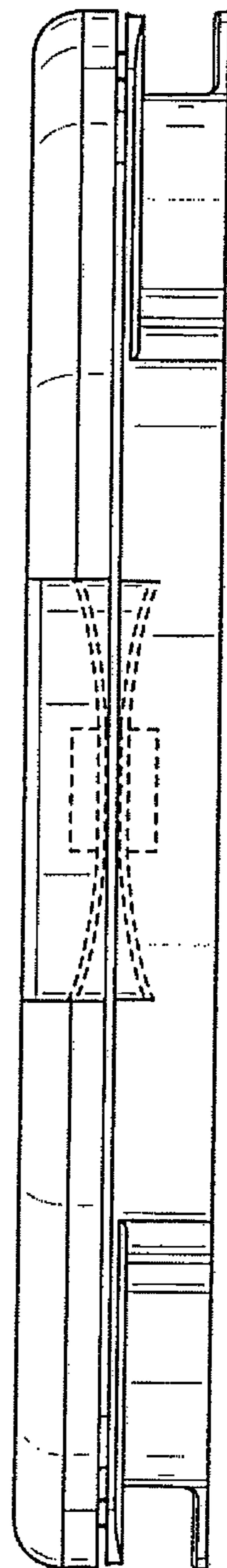


FIG. 3

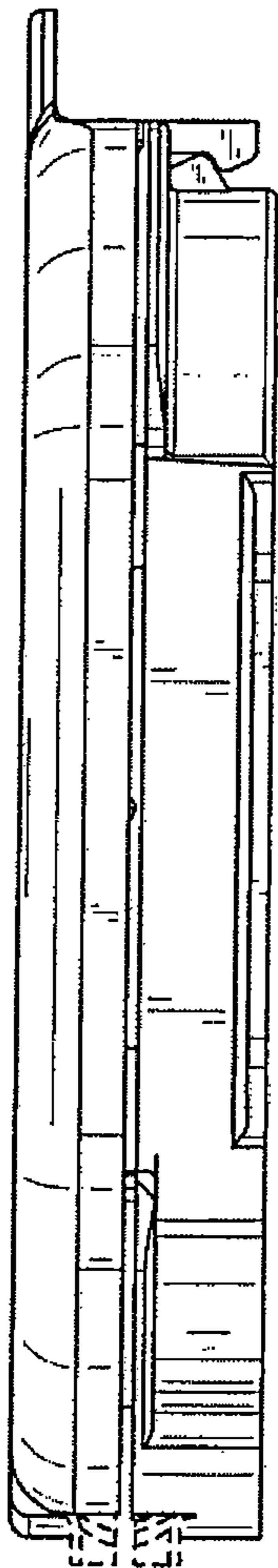


FIG. 4

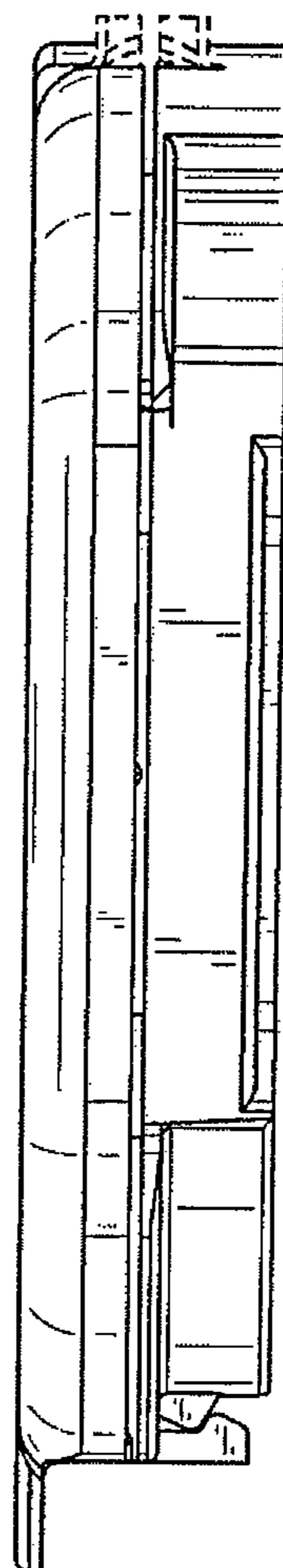


FIG. 5

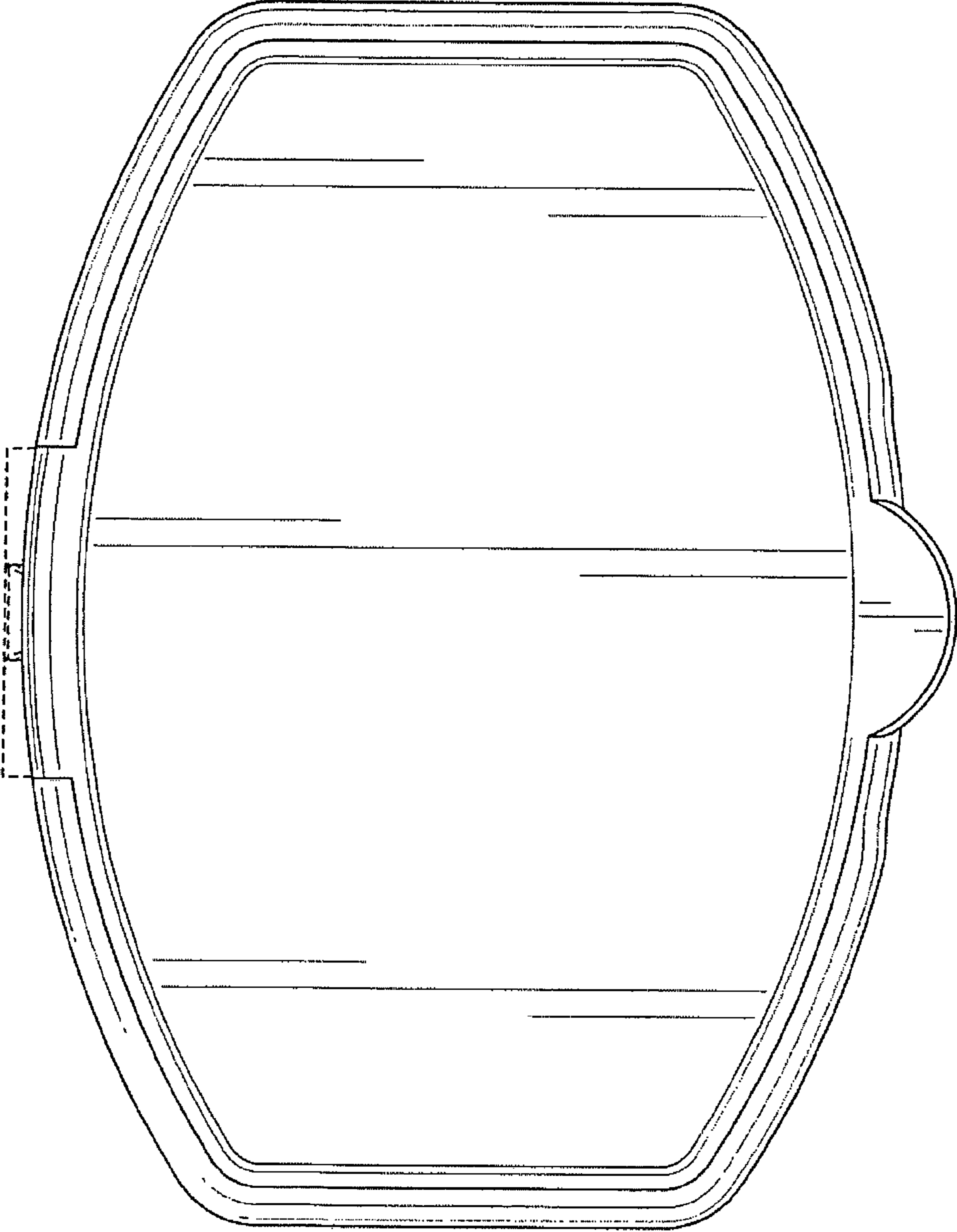


FIG. 6

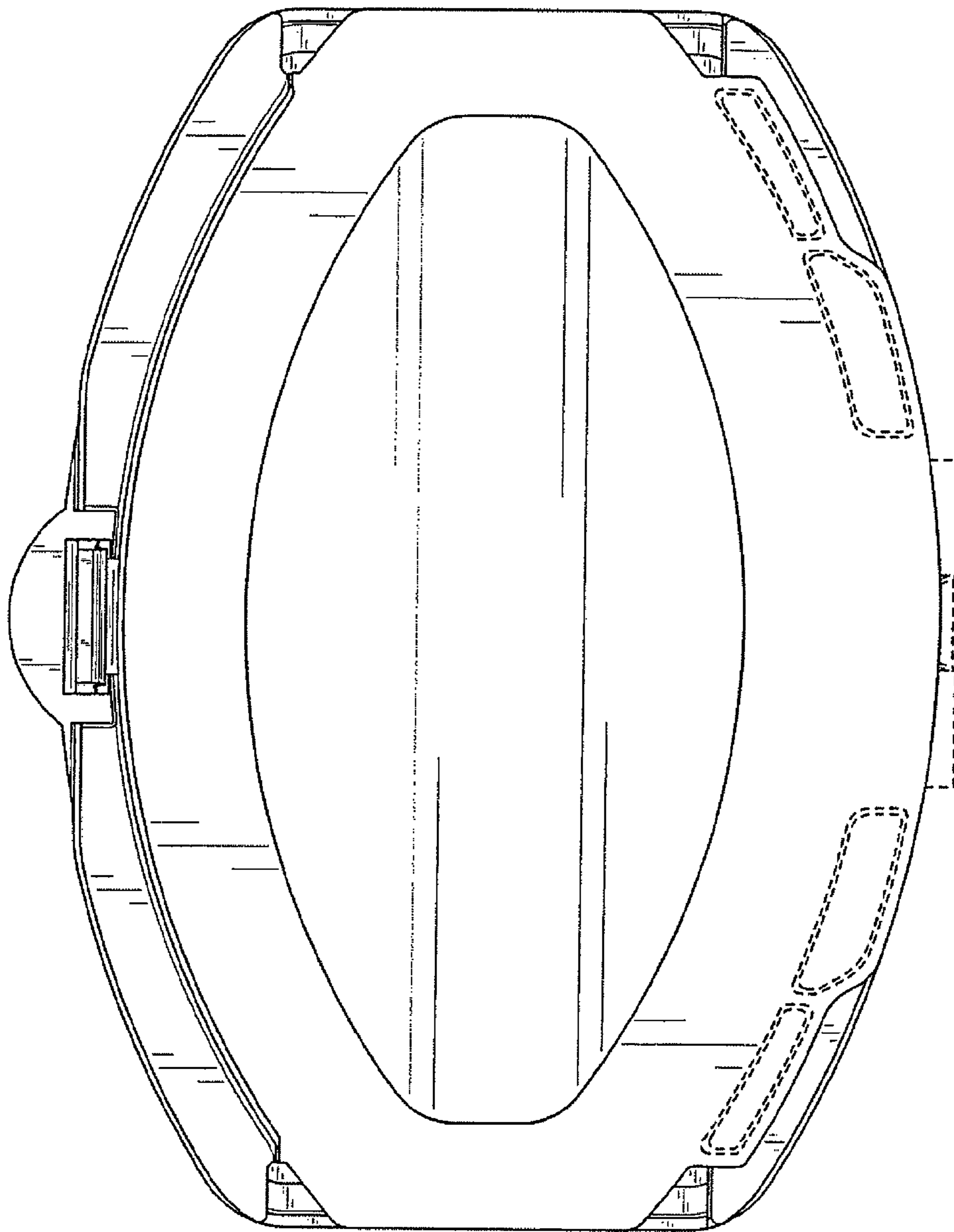


FIG. 7

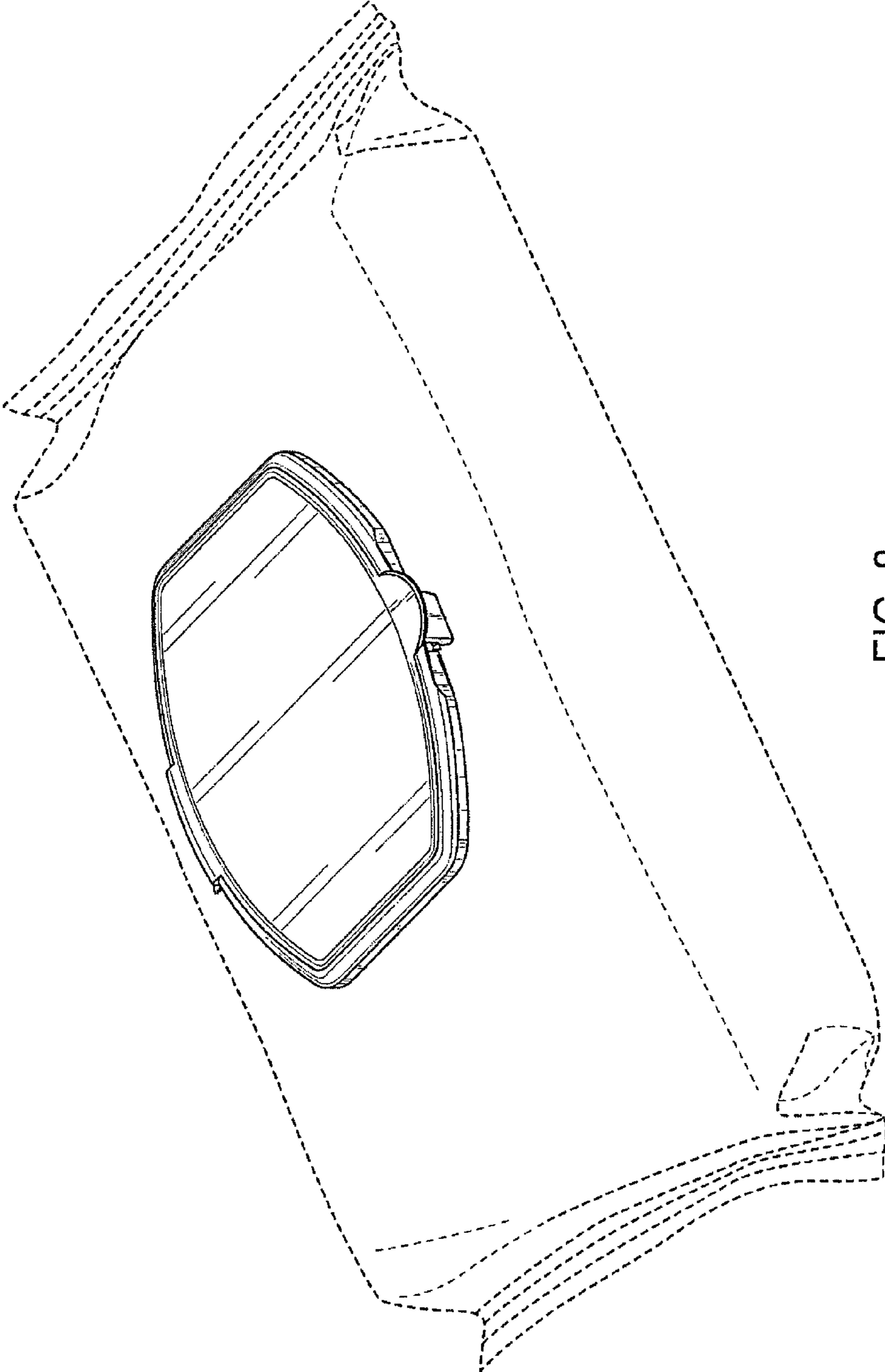


FIG. 8

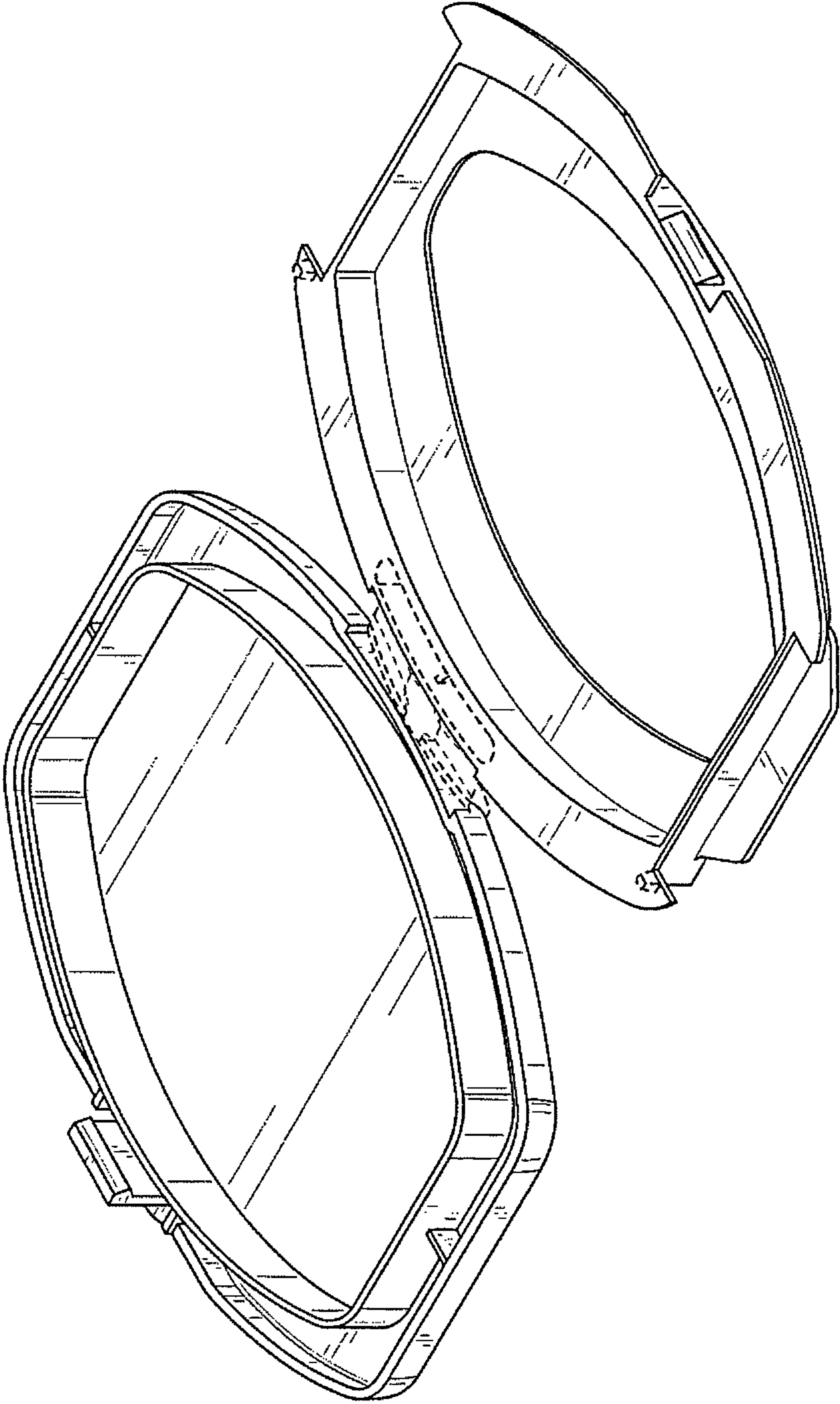


FIG. 9

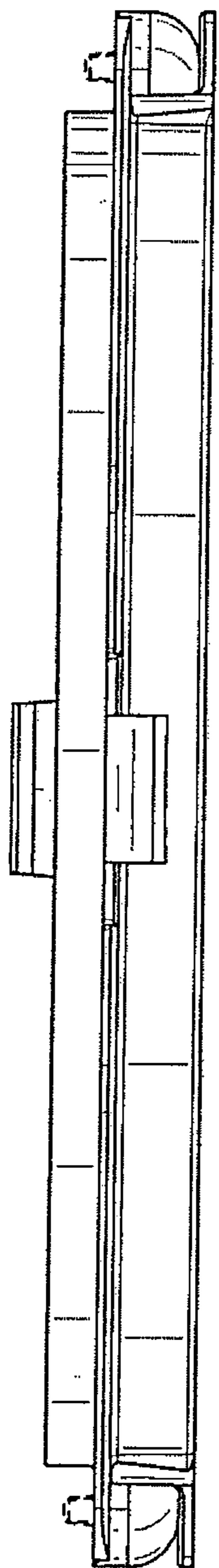


FIG. 10

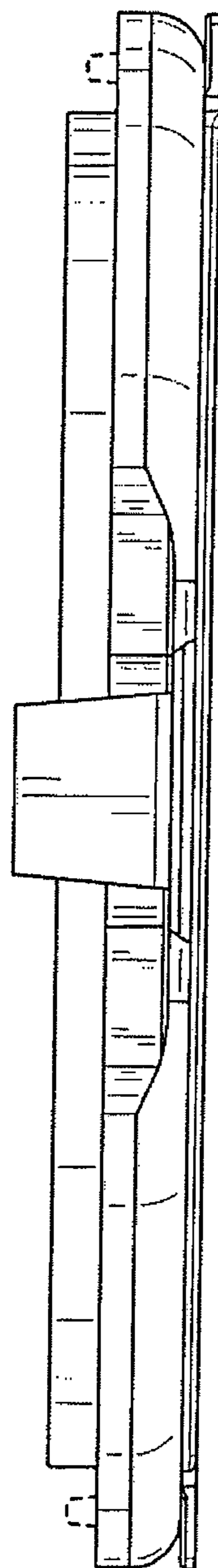


FIG. 11

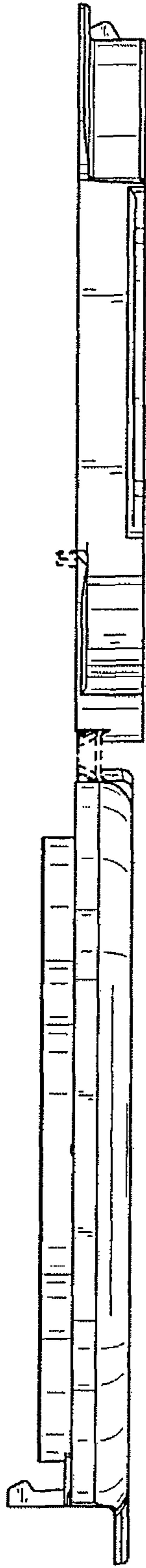


FIG. 12

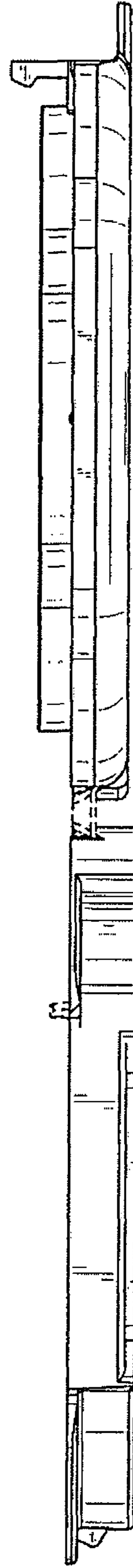


FIG. 13

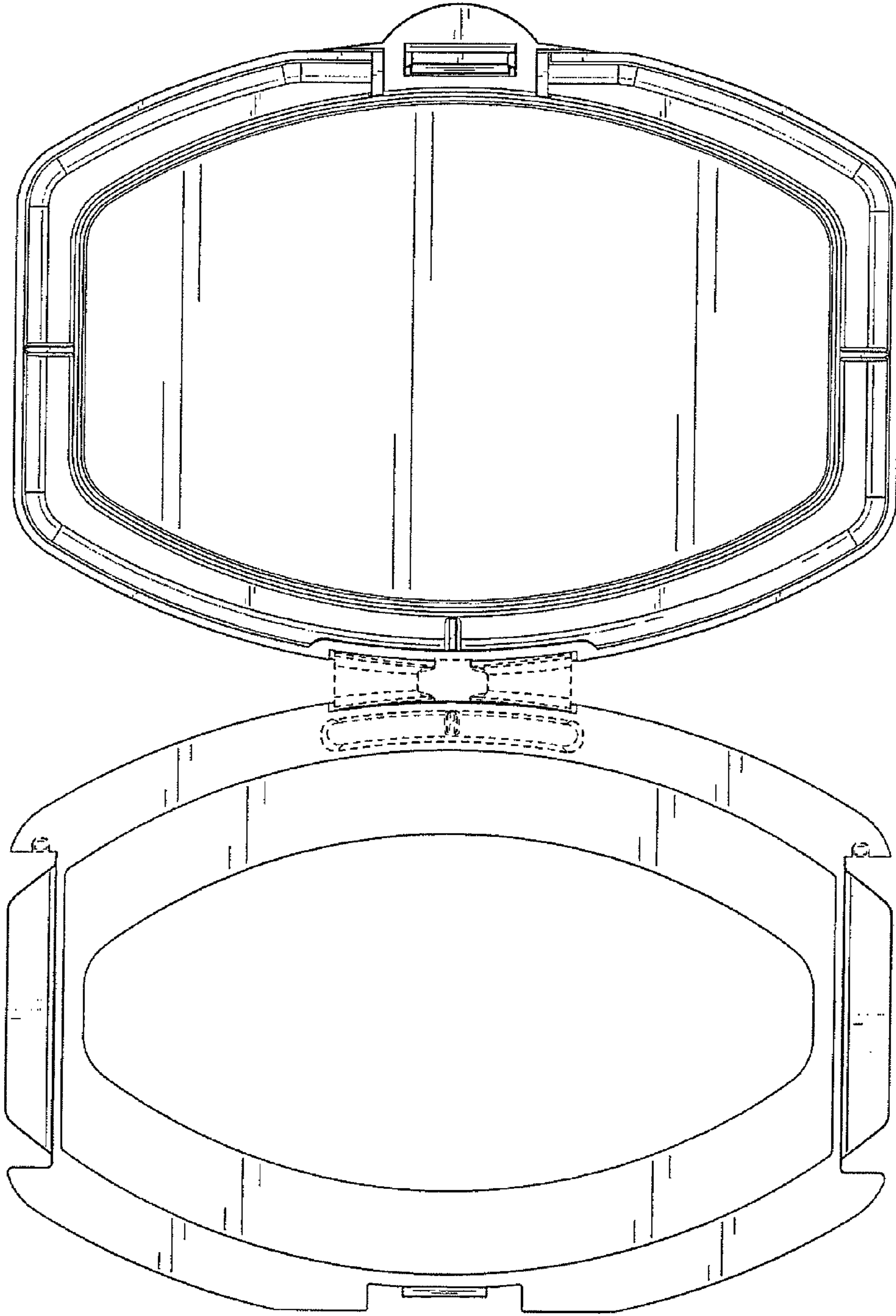


FIG. 14

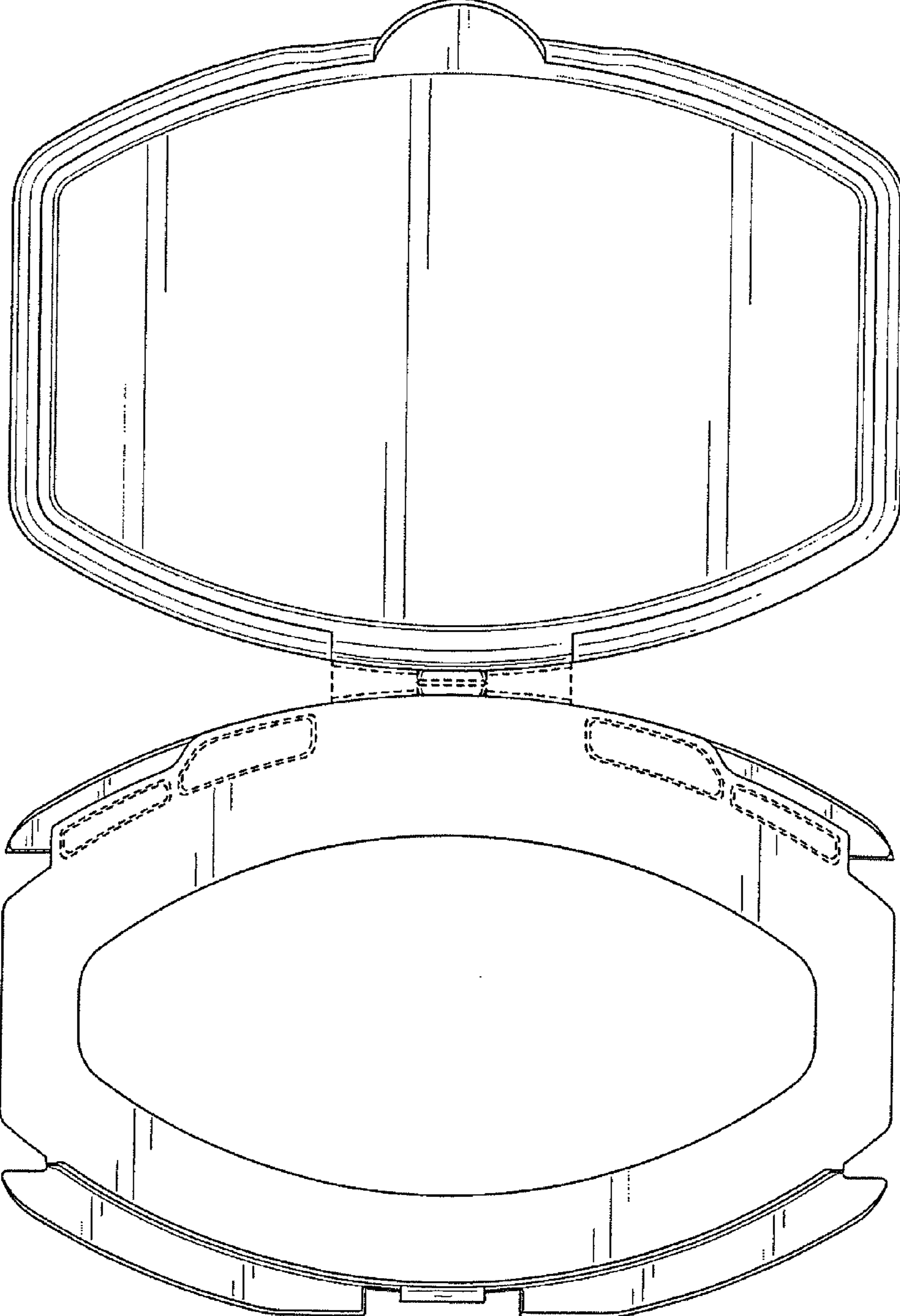


FIG. 15

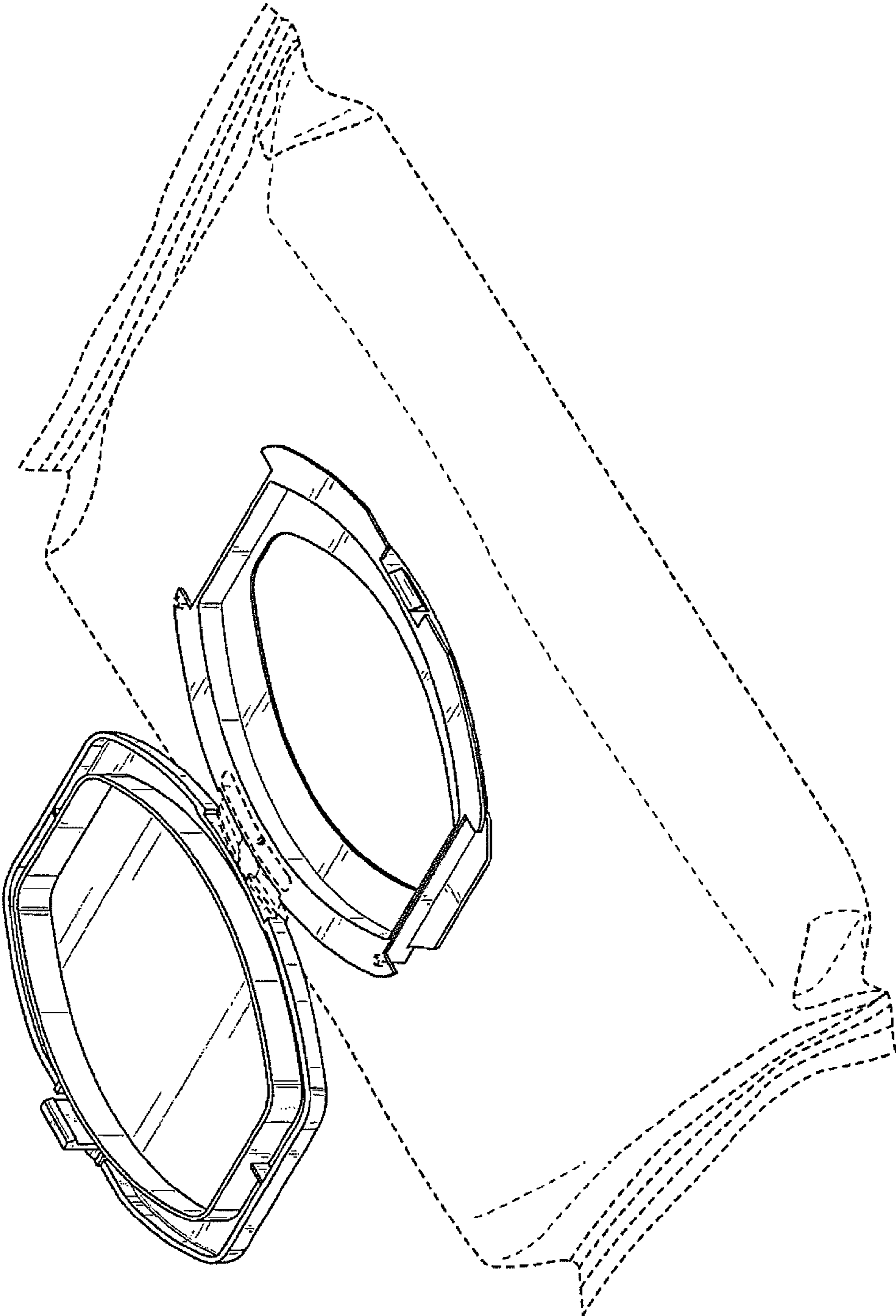


FIG. 16