



US00D729059S

(12) **United States Design Patent**
Taylor

(10) **Patent No.:** **US D729,059 S**

(45) **Date of Patent:** **** May 12, 2015**

(54) **CONFECTION CONTAINER**

(71) Applicant: **Sweet Concepts Limited**, London (GB)

(72) Inventor: **Stephen Robert Taylor**, London (GB)

(73) Assignee: **Sweet Concepts Limited** (GB)

(**) Term: **14 Years**

(21) Appl. No.: **29/462,173**

(22) Filed: **Jul. 31, 2013**

(30) **Foreign Application Priority Data**

Feb. 2, 2013 (EP) 002177501-0001

(51) **LOC (10) Cl.** **09-03**

(52) **U.S. Cl.**
USPC **D9/432**

(58) **Field of Classification Search**

CPC B65D 5/00; B65D 5/0015; B65D 5/0045;
B65D 5/18; B65D 5/40; B65D 5/2033;
B65D 1/22; B65D 1/225; B65D 1/24; B65D
1/34; B65D 1/38

USPC D9/414-433, 444-445, 456, 711, 715,
D9/718, 748; D7/601, 602, 538, 540,
D7/550.1; D3/203.5, 202, 207, 210;
D5/19, 23, 48; D21/471

See application file for complete search history.

(56) **References Cited**

U.S. PATENT DOCUMENTS

3,445,052 A * 5/1969 Lewallen 428/158
6,341,708 B1 * 1/2002 Palley et al. 220/1.5
D463,979 S * 10/2002 Rustioni D9/422
D505,546 S * 5/2005 Lau D3/273

D505,746 S * 5/2005 Chen D27/141
D553,393 S * 10/2007 Cassel D6/479
D578,884 S * 10/2008 Rozanski D9/432
D600,944 S * 9/2009 McConnell et al. D6/449
D622,959 S * 9/2010 Zalewski et al. D3/273
D690,586 S * 10/2013 Taylor D9/421

* cited by examiner

Primary Examiner — Susan Bennett Hattan

Assistant Examiner — Vy Koenig

(74) *Attorney, Agent, or Firm* — Mayback & Hoffman, P.A.;
Gregory L. Mayback

(57) **CLAIM**

The ornamental design for a confection container, as shown and described.

DESCRIPTION

FIG. 1 is a perspective view of a two-part confection container according to the present invention;

FIG. 2 is an exploded perspective view of the confection container of FIG. 1 with the inner container portion separated from the outer container portion;

FIG. 3 is a perspective view of the confection container of FIG. 1 with the inner container portion partially withdrawn from the outer container portion;

FIG. 4 is a perspective view of the confection container of FIG. 4 rotated approximately 90 degrees counterclockwise;

FIG. 5 is a perspective view of the confection container of FIG. 4 rotated approximately 90 degrees clockwise; and,

FIG. 6 is a perspective view of the confection container of FIG. 4 rotated approximately 180 degrees and with the inner container portion in another partially withdrawn position with respect to the outer container portion.

1 Claim, 2 Drawing Sheets

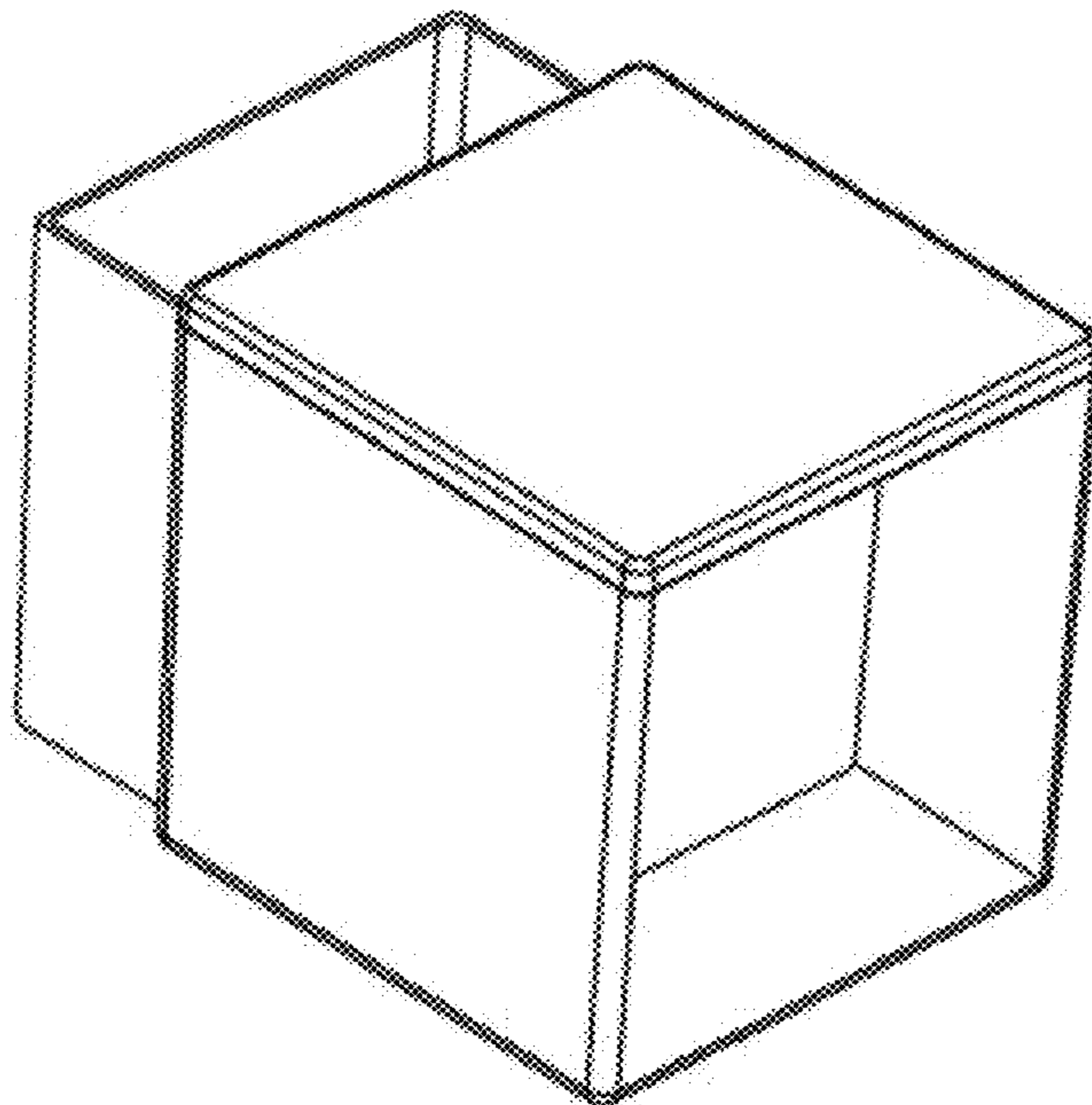


FIG. 1

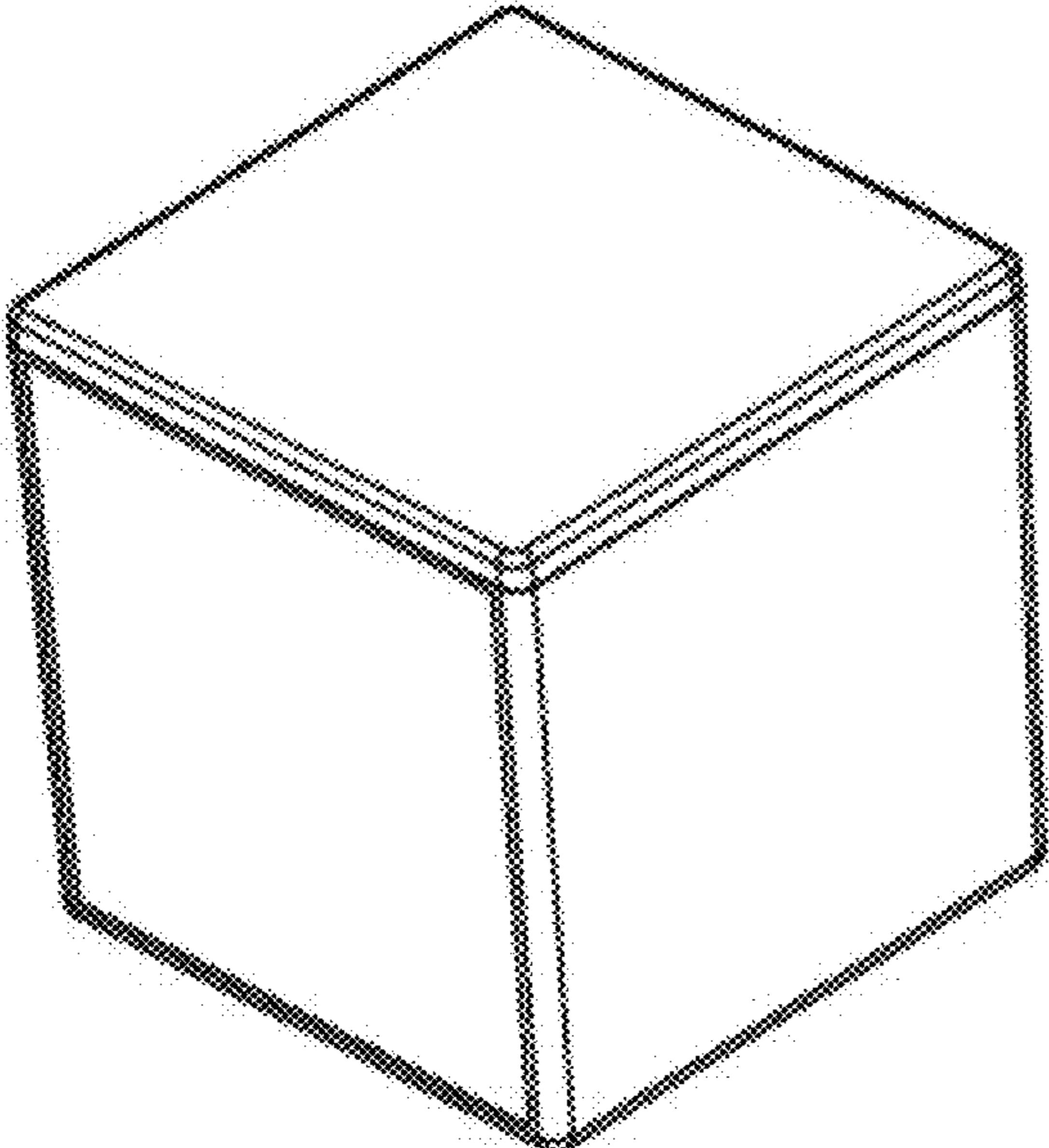
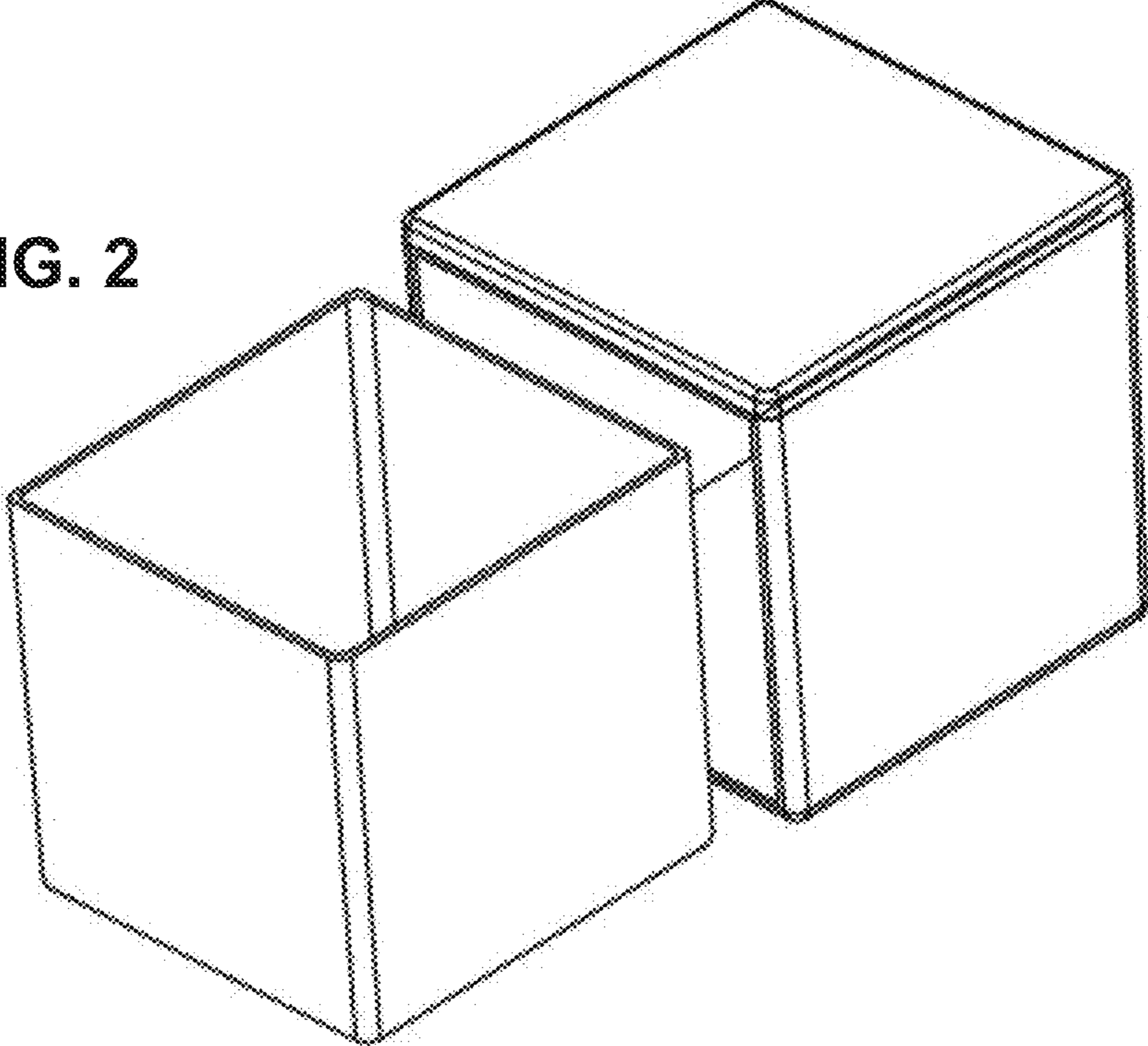


FIG. 2



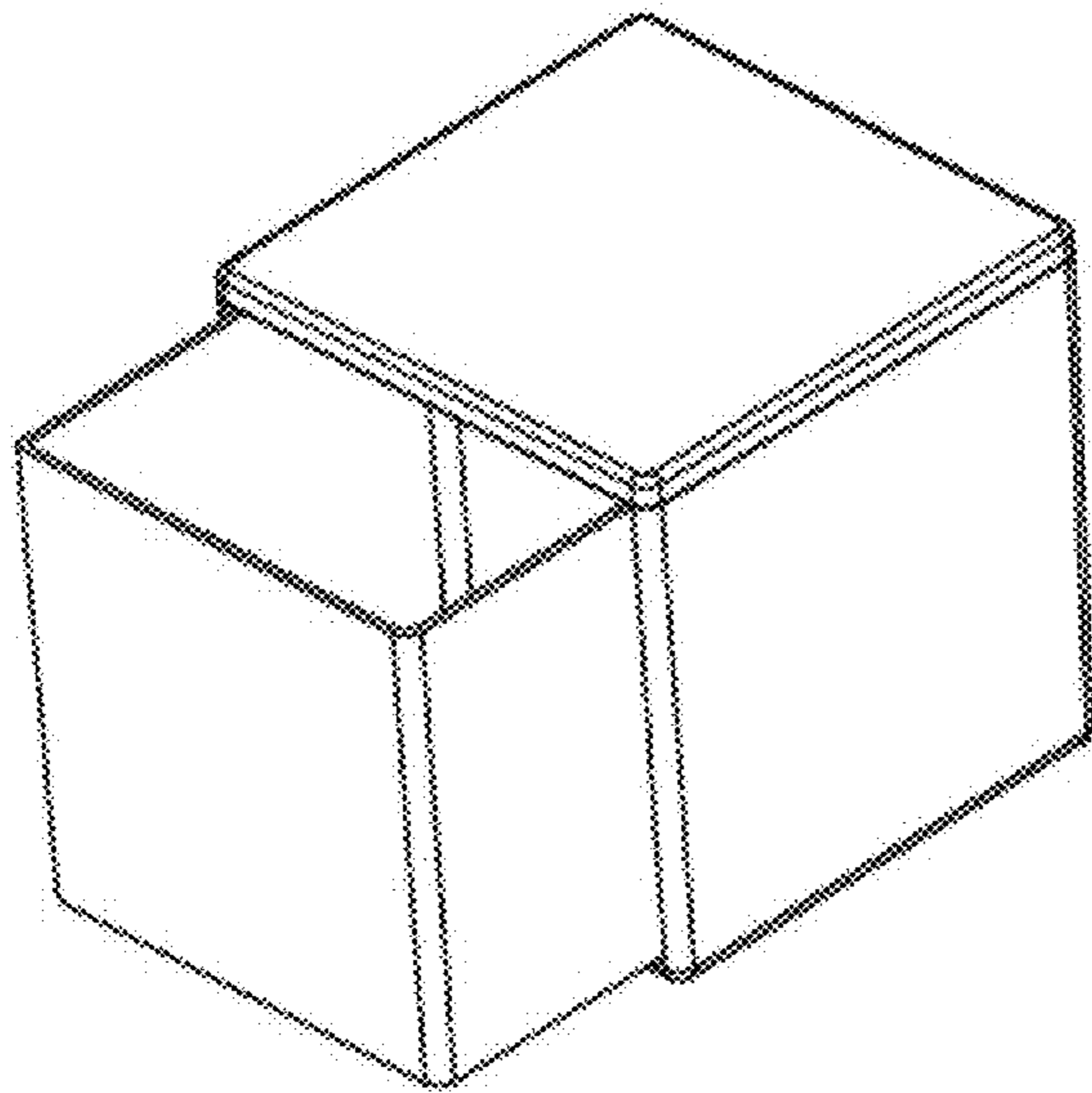


FIG. 3

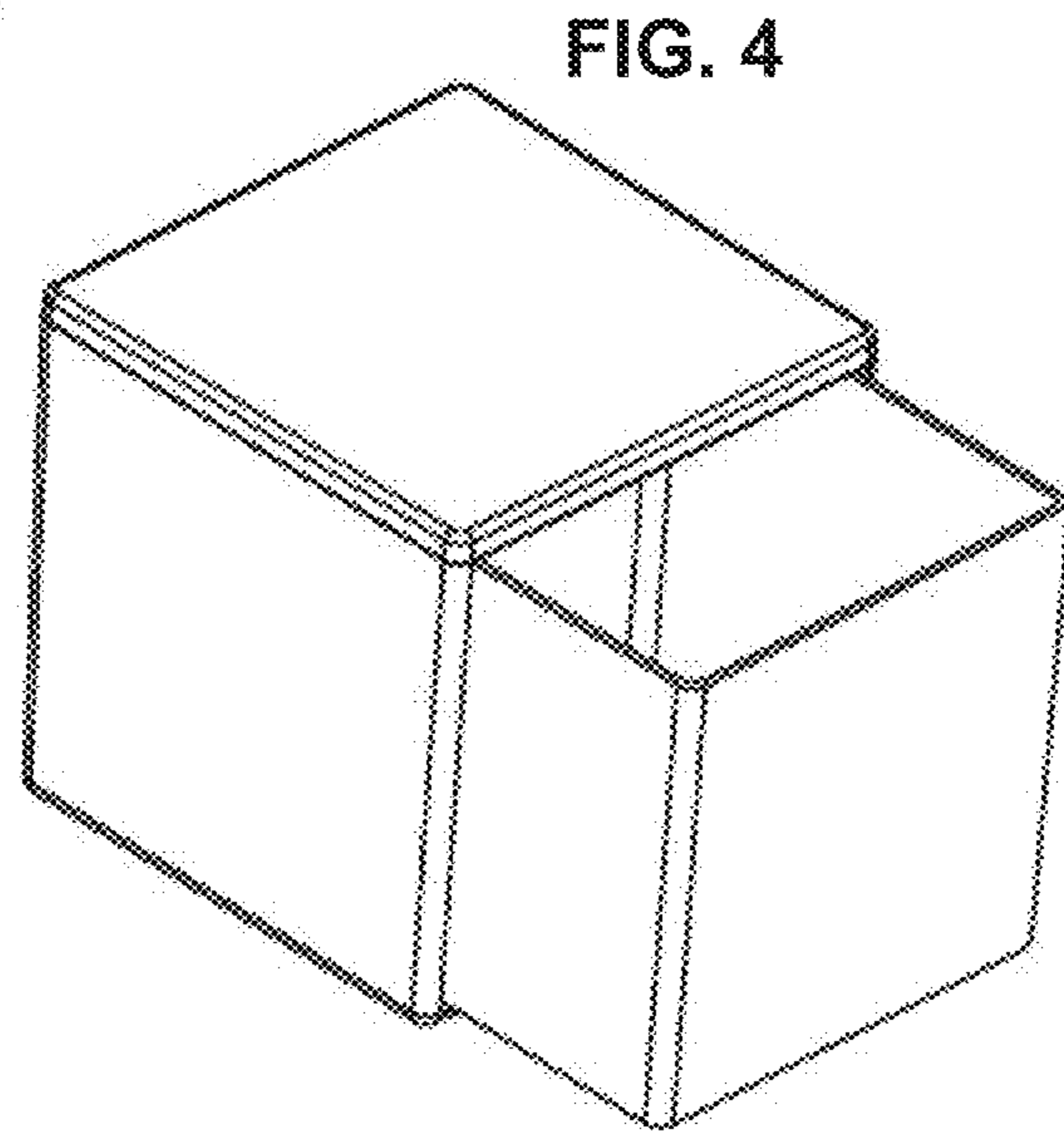


FIG. 4

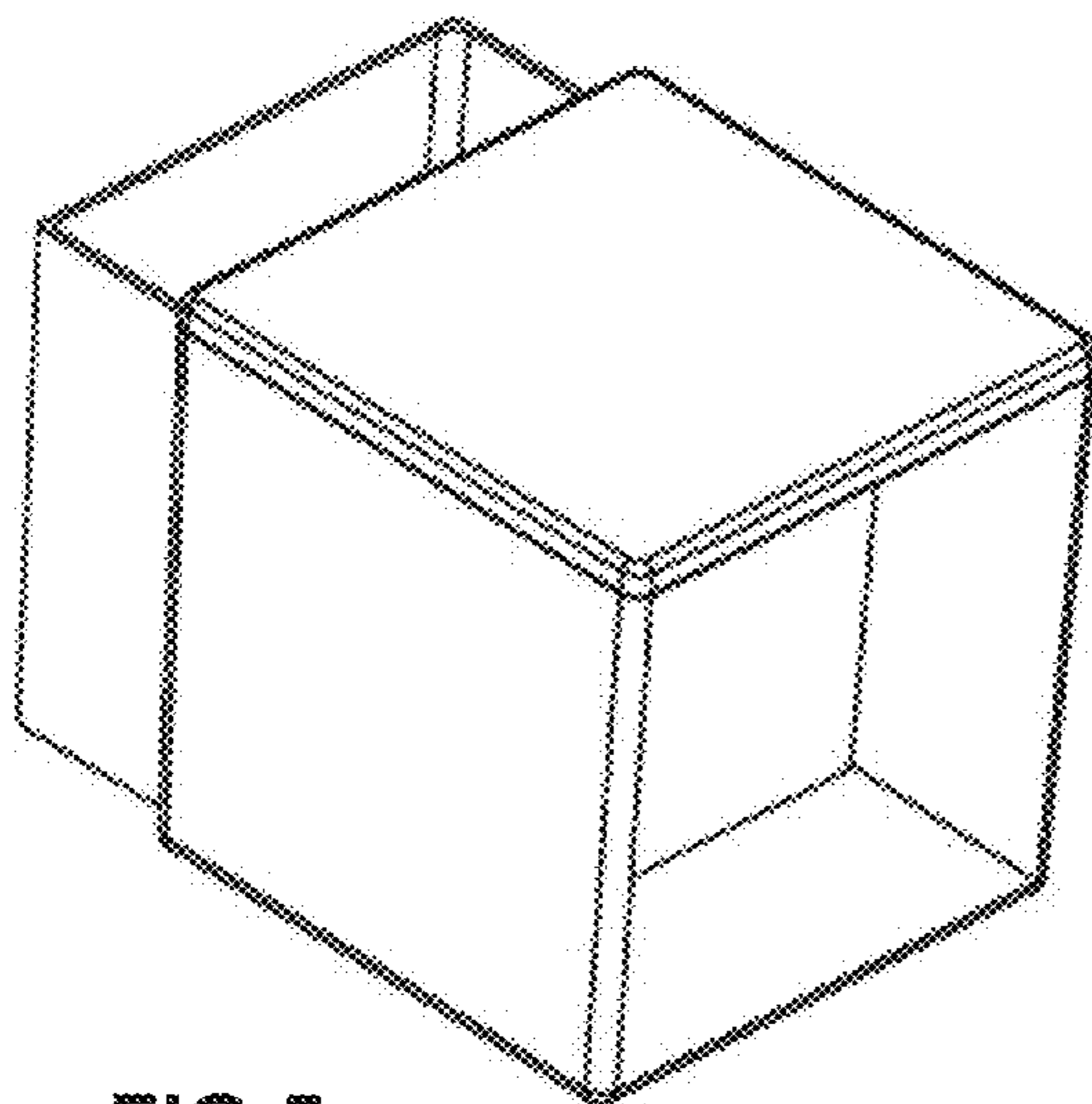


FIG. 5

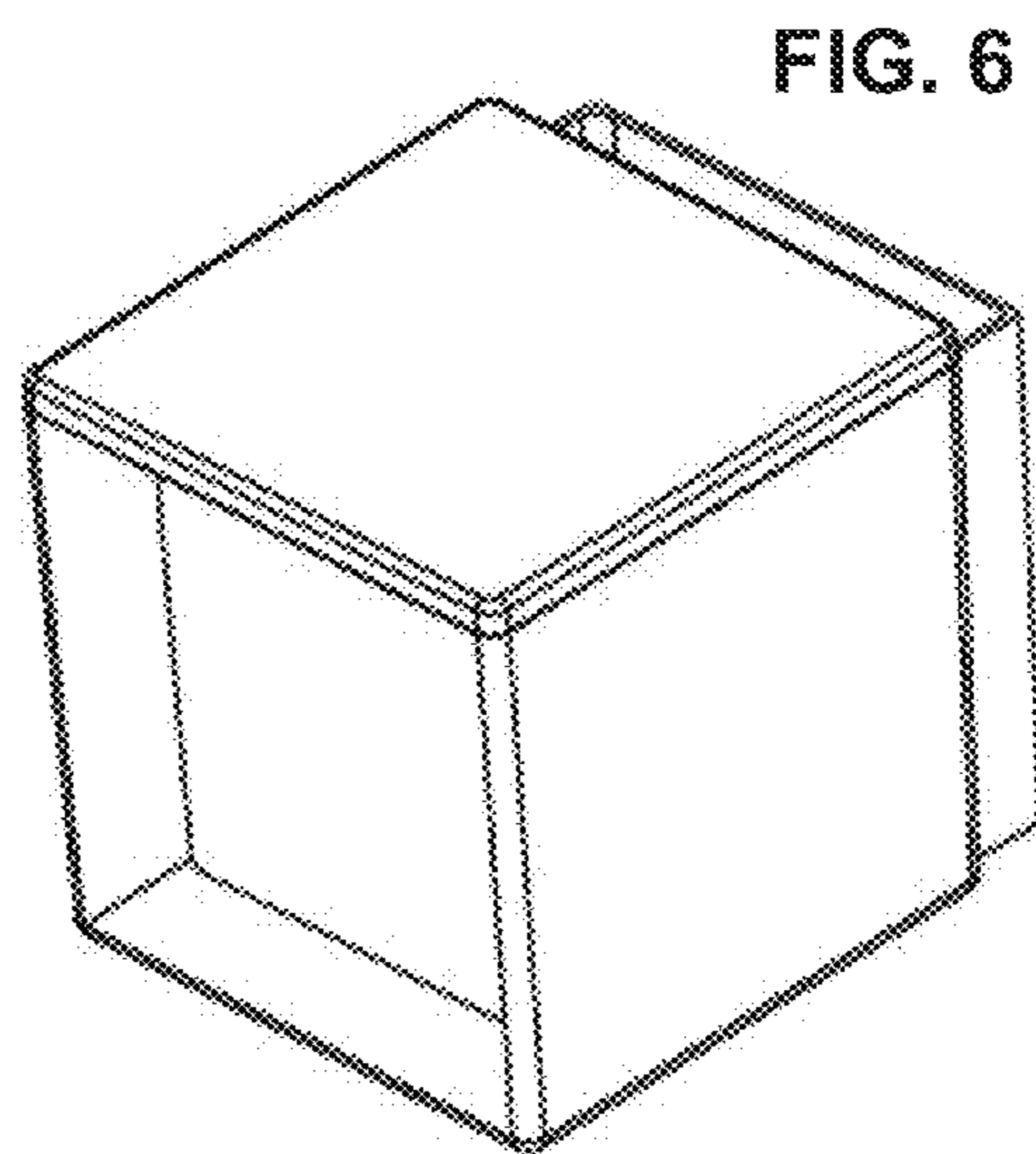


FIG. 6