



US00D729053S

(12) **United States Design Patent**
Underkofler et al.

(10) **Patent No.:** **US D729,053 S**

(45) **Date of Patent:** **** May 12, 2015**

(54) **PERIMETER TRIM CLIP**

(71) Applicant: **USG Interiors, LLC**, Chicago, IL (US)

(72) Inventors: **Abraham M. Underkofler**, Waukegan, IL (US); **Peder J. Gulbrandsen**, Aurora, IL (US); **Mark R. Paulsen**, Waukegan, IL (US)

(73) Assignee: **USG Interiors, LLC**, Chicago, IL (US)

(**) Term: **14 Years**

(21) Appl. No.: **29/503,155**

(22) Filed: **Sep. 24, 2014**

(51) **LOC (10) Cl.** **08-08**

(52) **U.S. Cl.**
USPC **D8/394**

(58) **Field of Classification Search**
USPC D8/394-396, 72; D19/56, 65;
D32/60-64; D28/40; 24/67.3; 269/6,
269/147, 149; D25/119, 121, 122
See application file for complete search history.

(56) **References Cited**

U.S. PATENT DOCUMENTS

3,989,398	A *	11/1976	Wendt	403/230
D387,970	S *	12/1997	Enslin	D8/349
6,209,268	B1 *	4/2001	Schmidt	52/92.1
6,315,489	B1 *	11/2001	Watanabe	403/381
D473,124	S *	4/2003	Wu et al.	D8/356
D543,447	S *	5/2007	Allsopp	D8/394
7,284,736	B2 *	10/2007	Franssen	248/251
D557,116	S *	12/2007	Zakowski	D8/354
D557,117	S *	12/2007	Cannaverde	D8/354
D587,100	S *	2/2009	Allsopp	D8/356
D613,150	S *	4/2010	Rieder et al.	D8/356

D626,406	S *	11/2010	Tedesco et al.	D8/394
D638,287	S *	5/2011	Tedesco et al.	D8/394
D656,006	S *	3/2012	Underkofler et al.	D8/394
D671,816	S *	12/2012	Stone	D8/349
D672,226	S *	12/2012	Wall et al.	D8/394
D675,907	S *	2/2013	Yoo	D8/394
D697,394	S *	1/2014	Lengacher et al.	D8/394
D700,832	S *	3/2014	Ng et al.	D8/380
D700,833	S *	3/2014	Ng et al.	D8/380
2003/0155474	A1 *	8/2003	Dean et al.	248/300

* cited by examiner

Primary Examiner — John Windmuller

(74) *Attorney, Agent, or Firm* — Pearne & Gordon LLP

(57) **CLAIM**

The ornamental design for a perimeter trim clip, as shown and described.

DESCRIPTION

FIG. 1 is a rear perspective view of a perimeter trim clip showing our new design;

FIG. 2 is a rear elevational view thereof;

FIG. 3 is a left side elevational view thereof, the right side being a mirror image;

FIG. 4 is a top view thereof;

FIG. 5 is a front elevational view thereof;

FIG. 6 is a bottom view thereof;

FIG. 7 is a rear perspective view of a second embodiment of a perimeter trim clip showing our new design;

FIG. 8 is a rear elevational view thereof;

FIG. 9 is a left side elevational view thereof, the right side being a mirror image;

FIG. 10 is a top view thereof;

FIG. 11 is a front elevational view thereof; and,

FIG. 12 is a bottom view thereof.

1 Claim, 6 Drawing Sheets

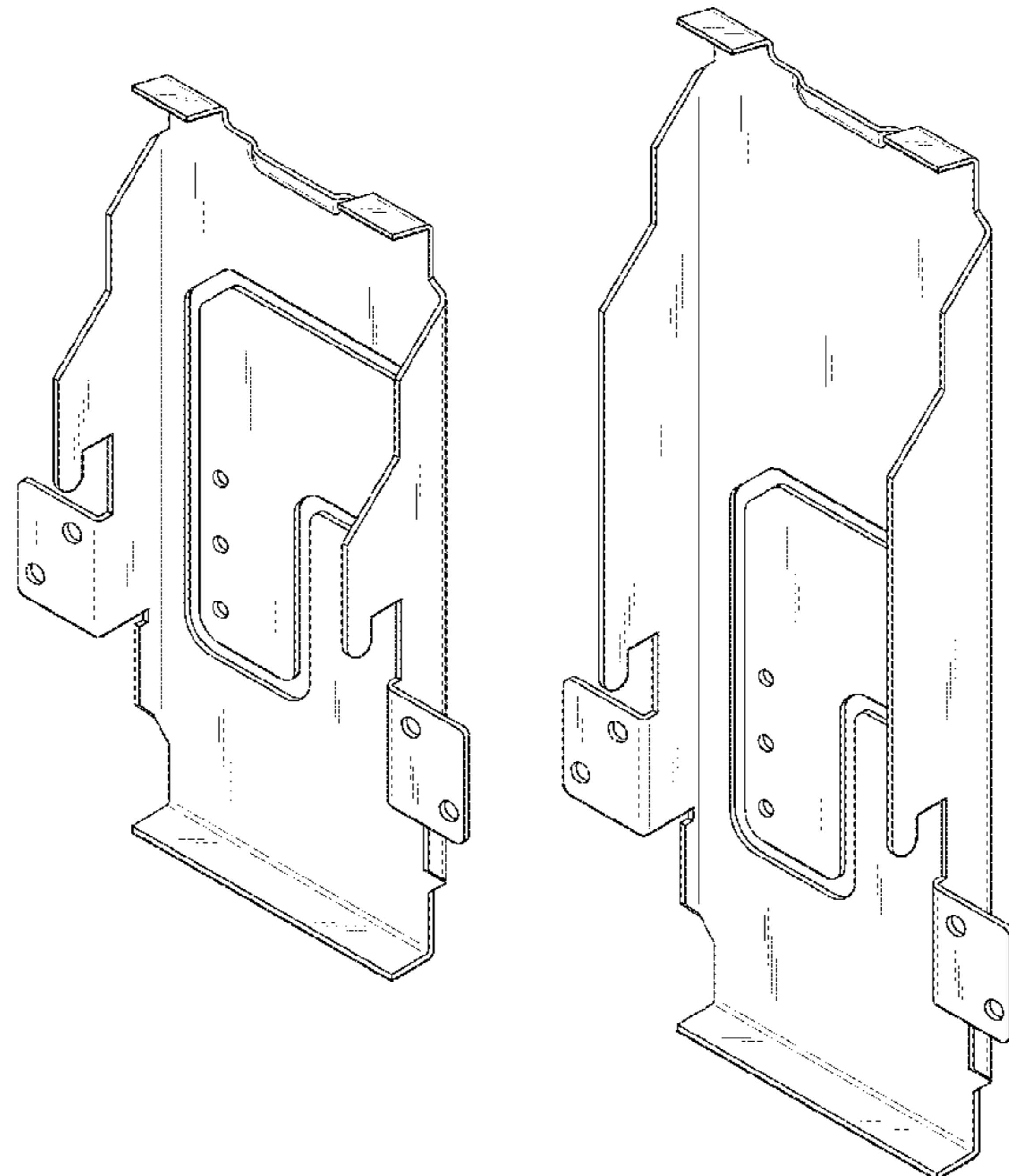
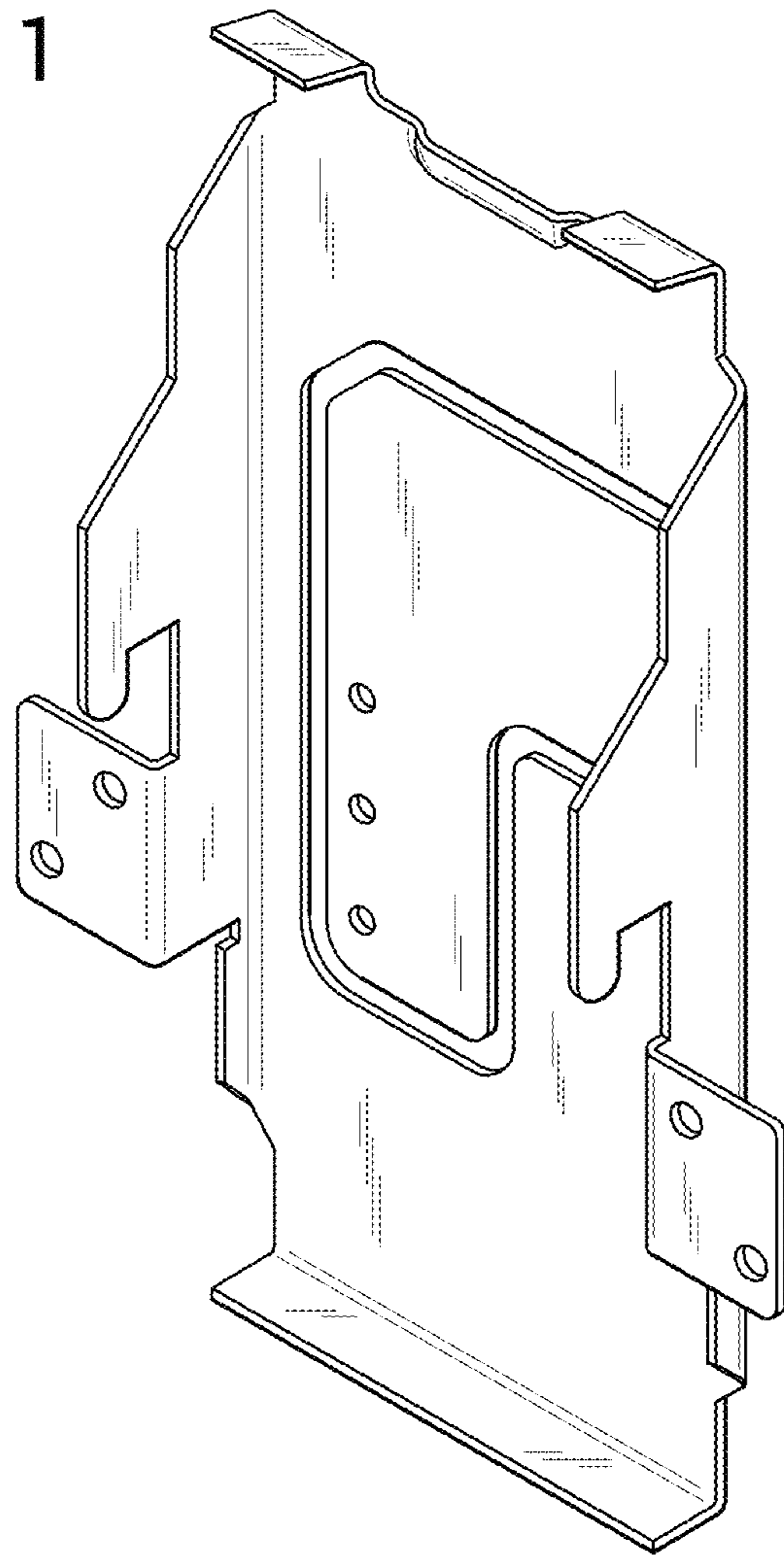


FIG. 1



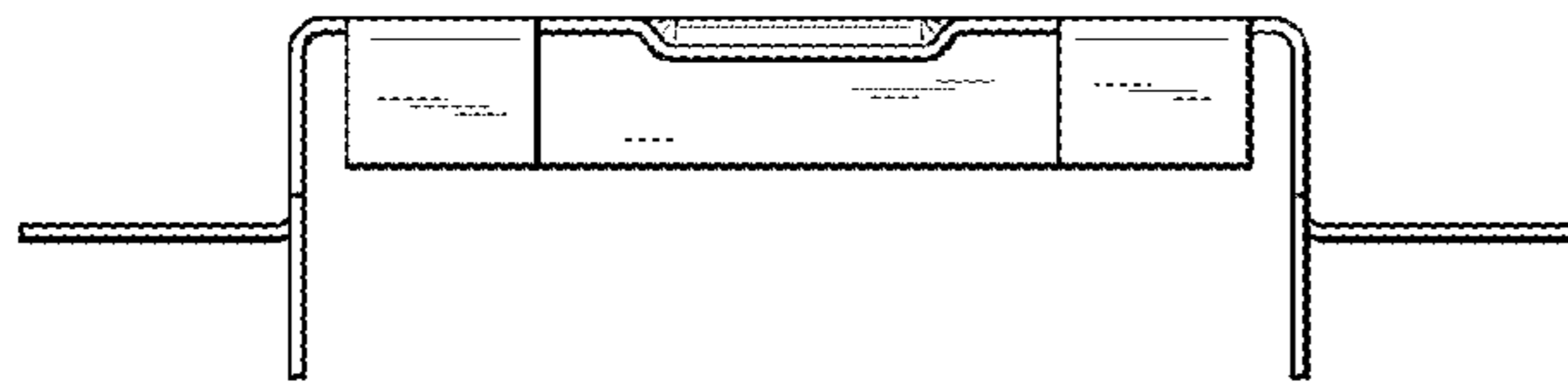


FIG. 4

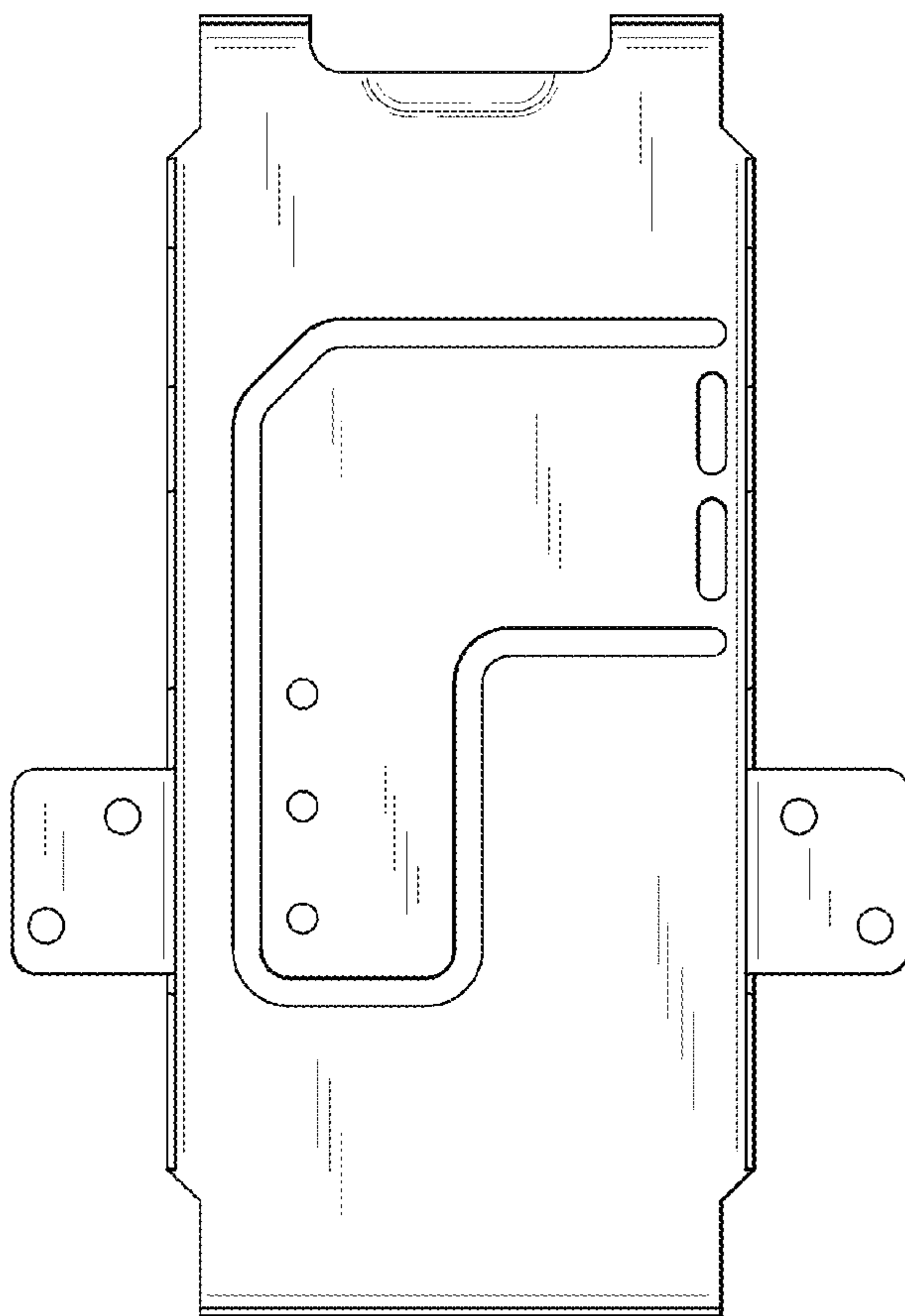


FIG. 2

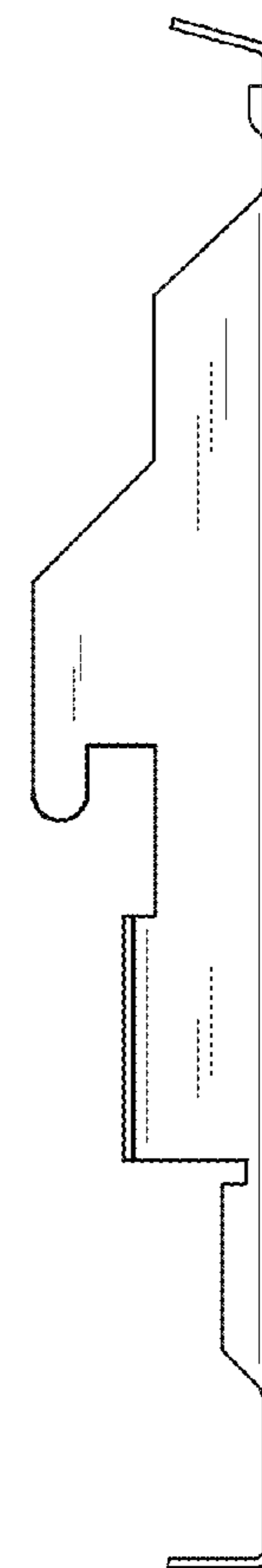


FIG. 3

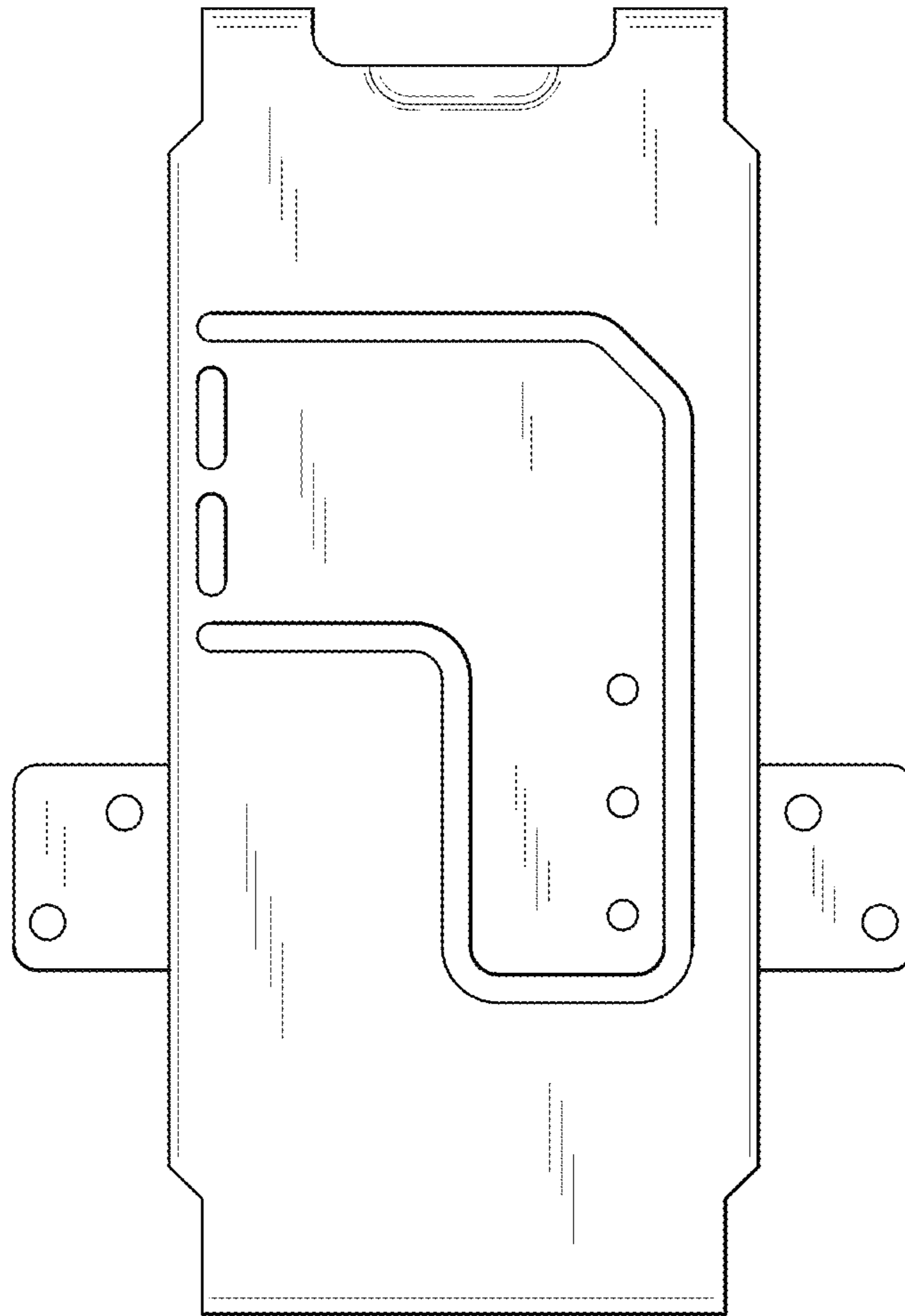


FIG. 5

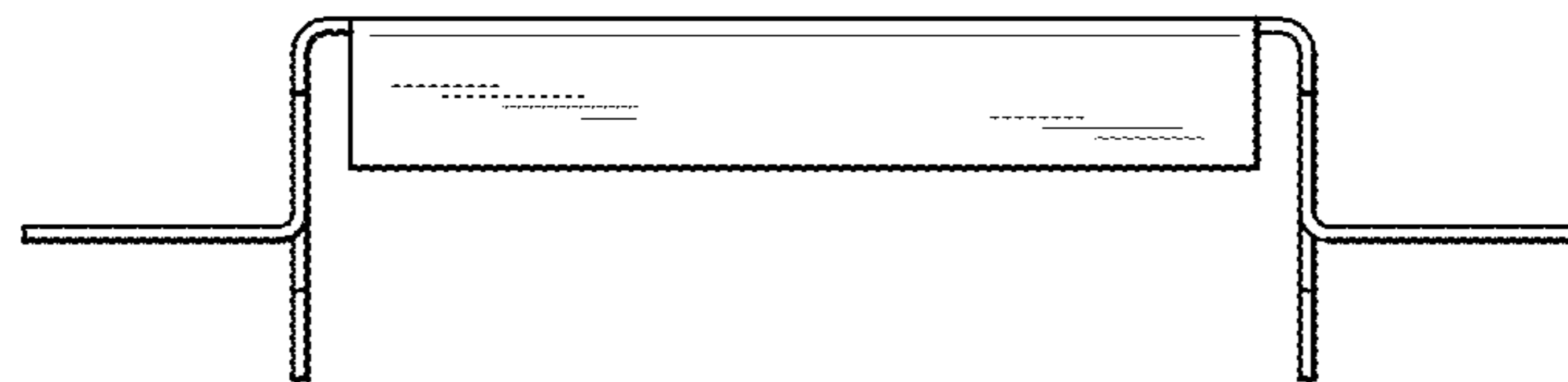
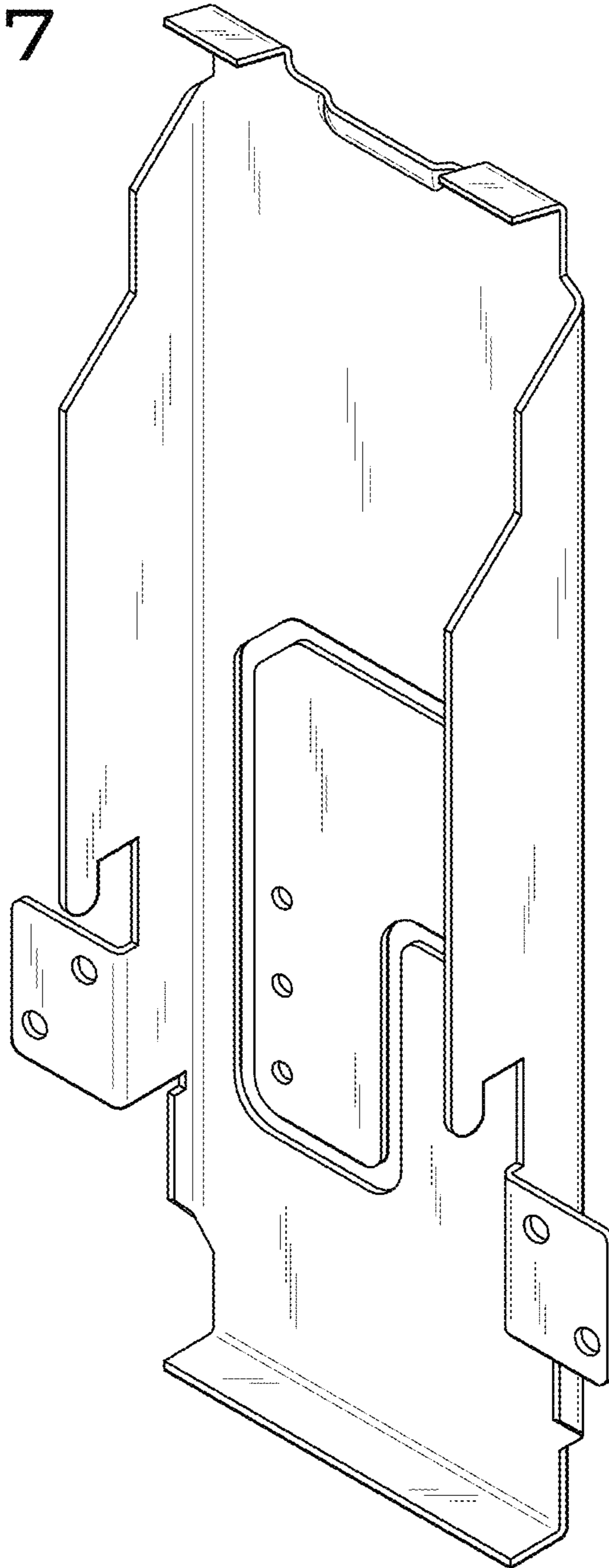


FIG. 6

FIG. 7



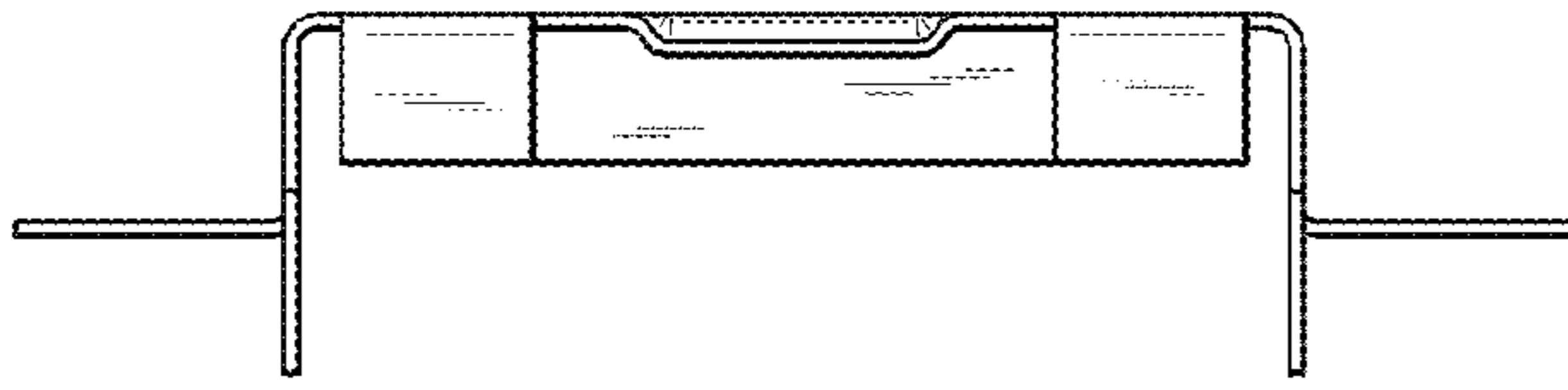


FIG. 10

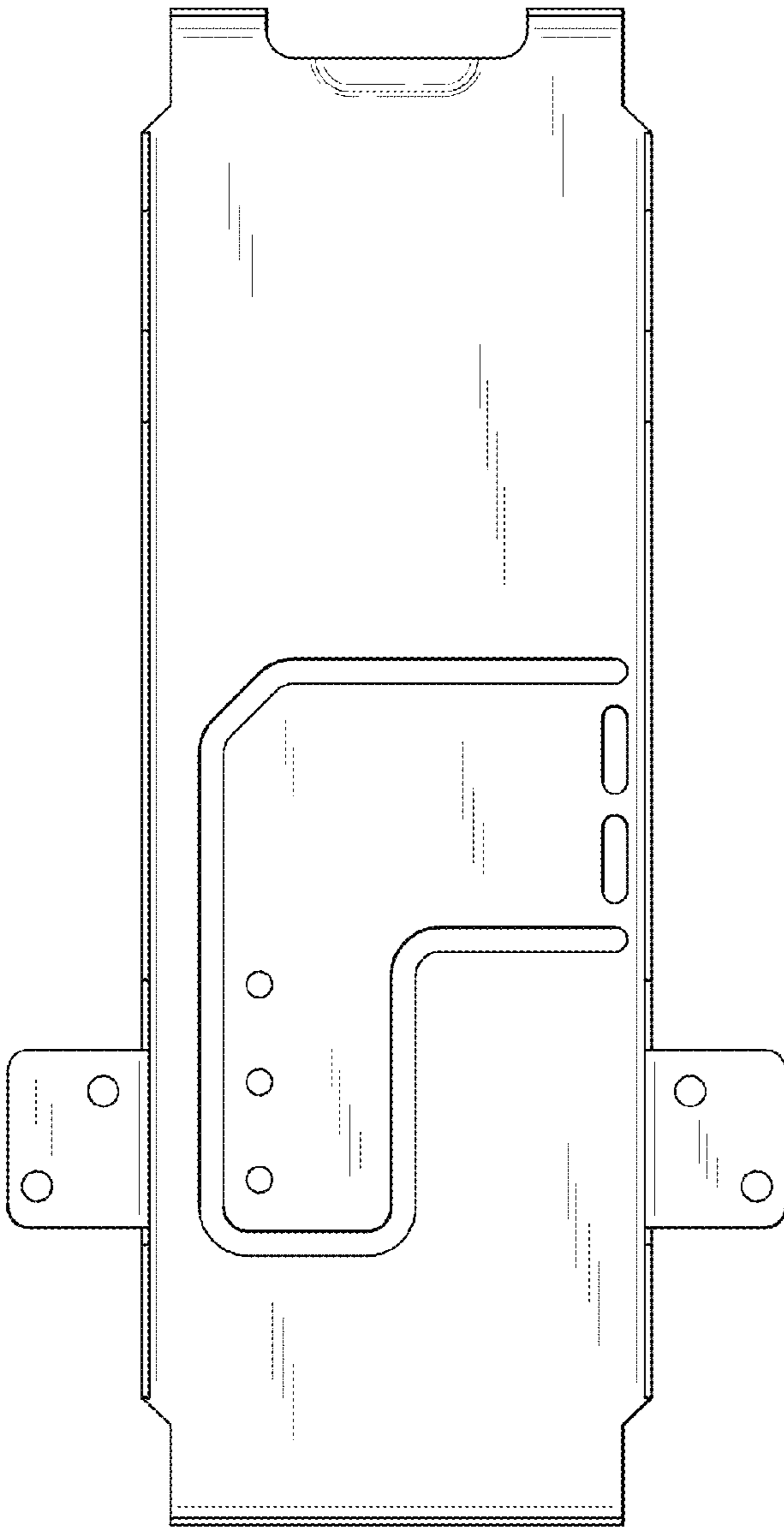


FIG. 8

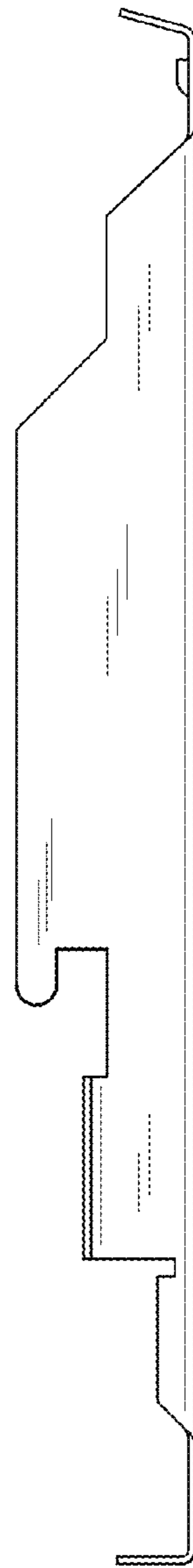


FIG. 9

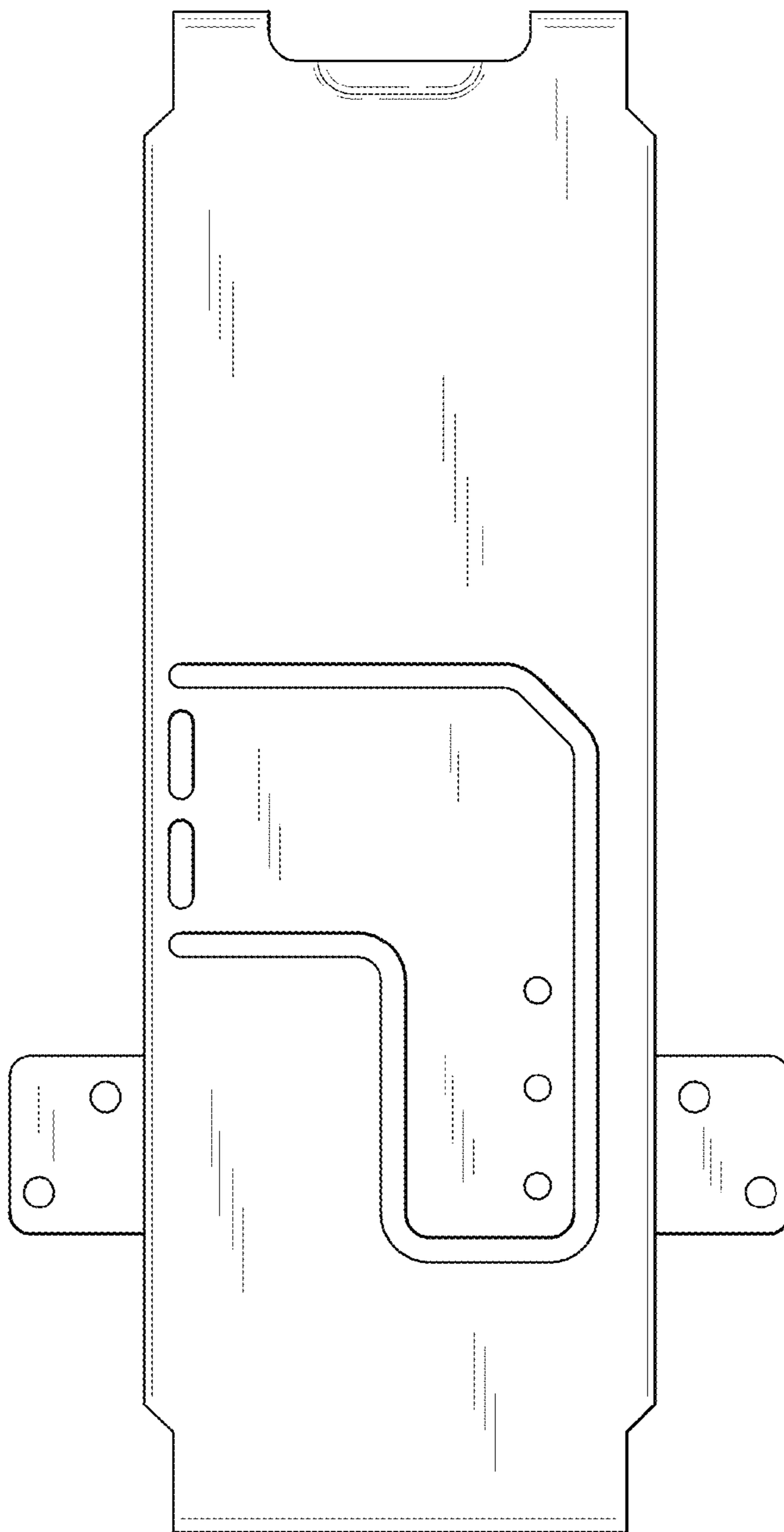


FIG. 1 1

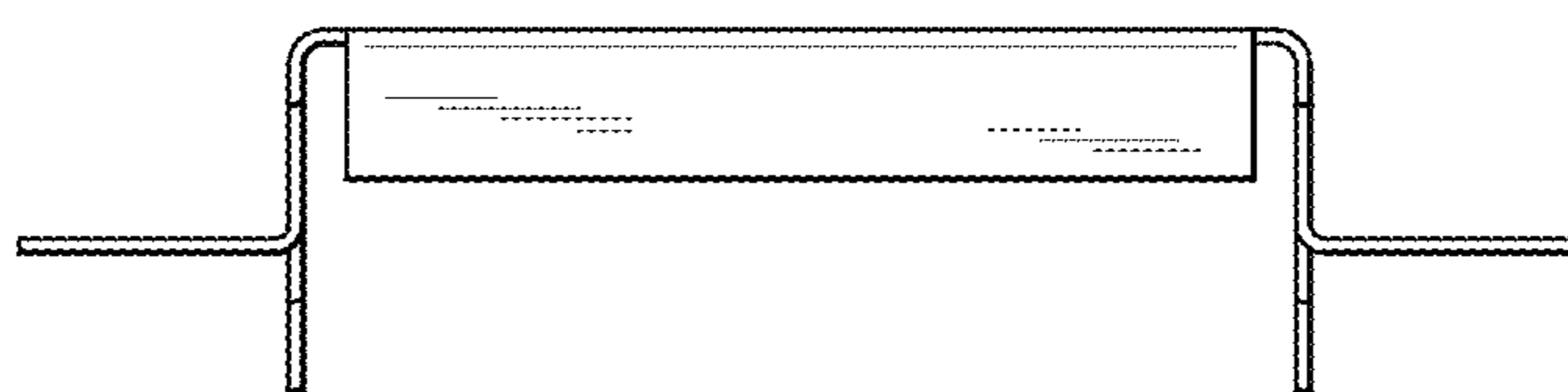


FIG. 1 2