



US00D729051S

(12) **United States Design Patent**
Fan

(10) **Patent No.:** **US D729,051 S**

(45) **Date of Patent:** **** May 12, 2015**

(54) **CASTER**

(71) Applicant: **Tso-Yu Fan**, Changhua (TW)

(72) Inventor: **Tso-Yu Fan**, Changhua (TW)

(73) Assignee: **Der Sheng Co. Ltd**, Changhua (TW)

(**) Term: **14 Years**

(21) Appl. No.: **29/485,536**

(22) Filed: **Mar. 19, 2014**

(51) **LOC (10) Cl.** **08-05**

(52) **U.S. Cl.**
USPC **D8/375**

(58) **Field of Classification Search**

CPC B60B 33/0002; B60B 3/0049; B60B 33/0042; B60B 33/0068; B60B 33/0057; B60B 33/0073; B60B 33/0028; B60B 33/0039; B60B 33/0021; B60B 33/00; B60B 33/0005; B60B 33/0018; B60B 33/0007; B60B 33/0023; B60B 33/021
USPC D8/375, 374, 382, 354; D24/183; D12/19; 16/31 R, 18 R, 29, 35 D, 35 R, 16/37, 45; D3/318; D34/27

See application file for complete search history.

(56) **References Cited**

U.S. PATENT DOCUMENTS

D470,747 S *	2/2003	Chi	D8/375
D470,748 S *	2/2003	Tsai	D8/375
D492,894 S *	7/2004	Cheng	D8/375
D600,104 S *	9/2009	Weber et al.	D8/375
D718,938 S *	12/2014	Parker	D3/318
2010/0000050 A1 *	1/2010	Tsai	16/35 D

* cited by examiner

Primary Examiner — Robert M Spear

Assistant Examiner — Eliza Bennett-Hattan

(74) *Attorney, Agent, or Firm* — Che-Yang Chen; Law Office of Michael Chen

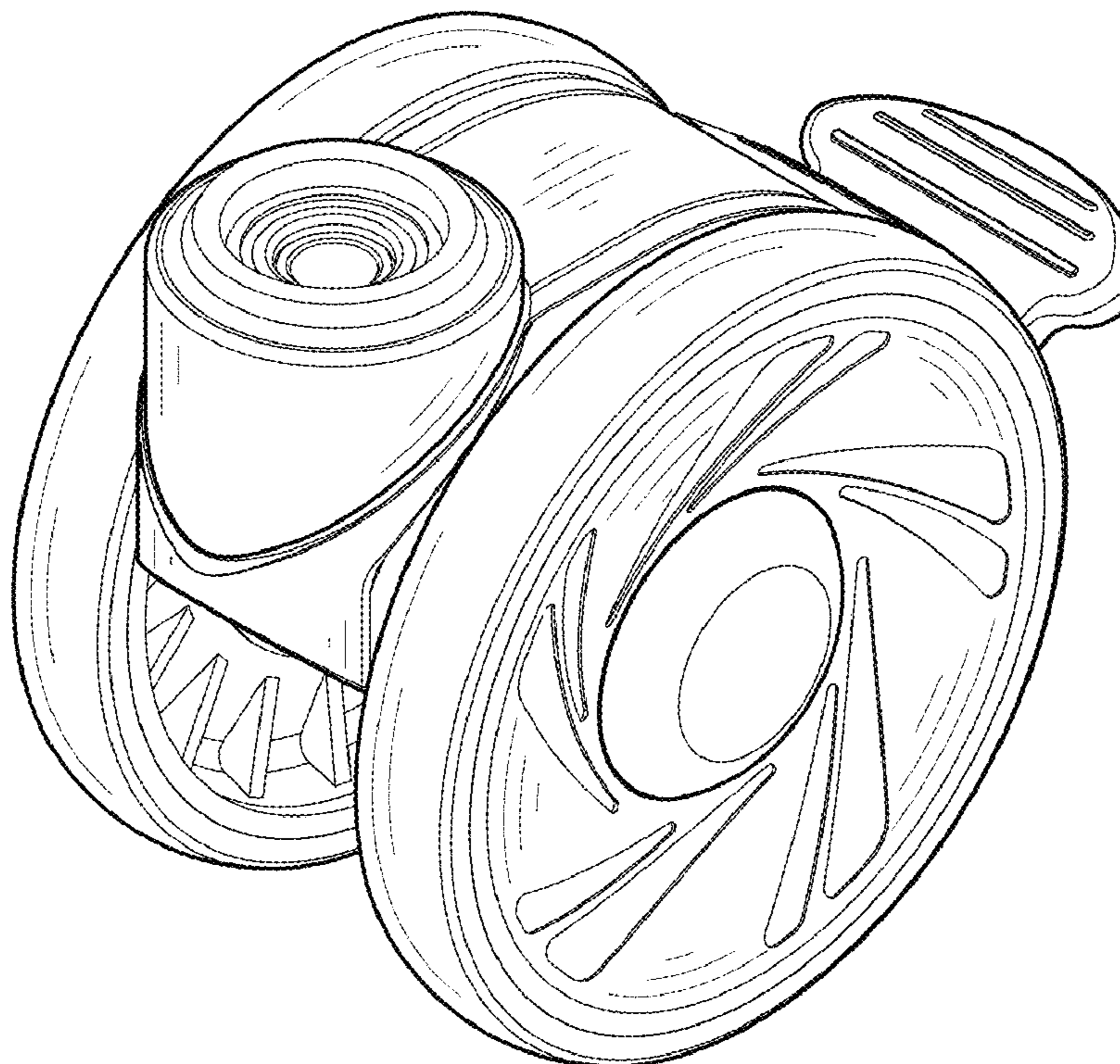
(57) **CLAIM**

The ornamental design for a caster, as shown and described.

DESCRIPTION

FIG. 1 is a perspective view of a caster showing my new design;
FIG. 2 is a front elevational view thereof;
FIG. 3 is a rear elevational view thereof;
FIG. 4 is a left side elevational view thereof;
FIG. 5 is a right side elevational view thereof;
FIG. 6 is a top plan view thereof; and,
FIG. 7 is a bottom plan view thereof.

1 Claim, 4 Drawing Sheets



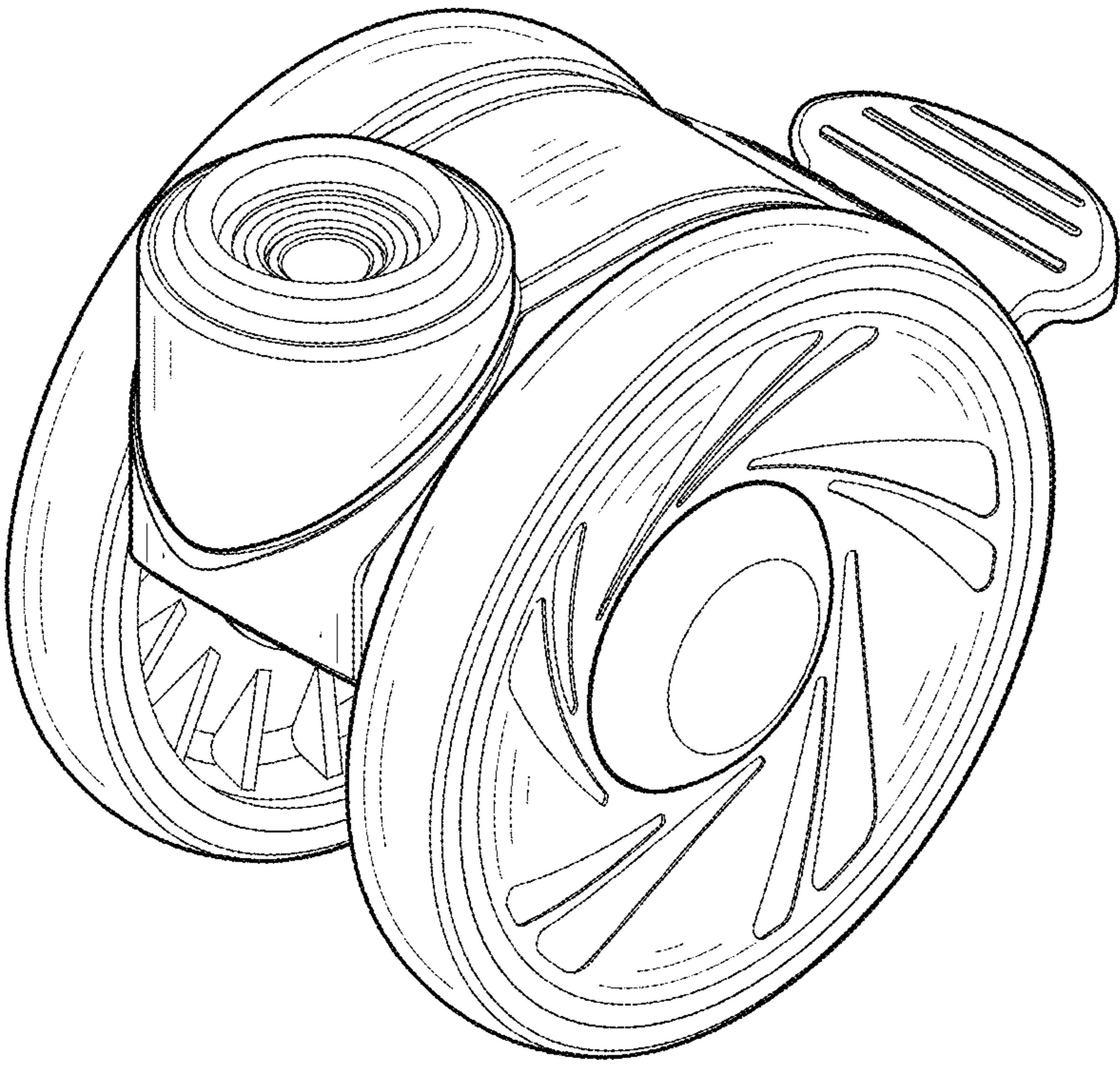


FIG.1

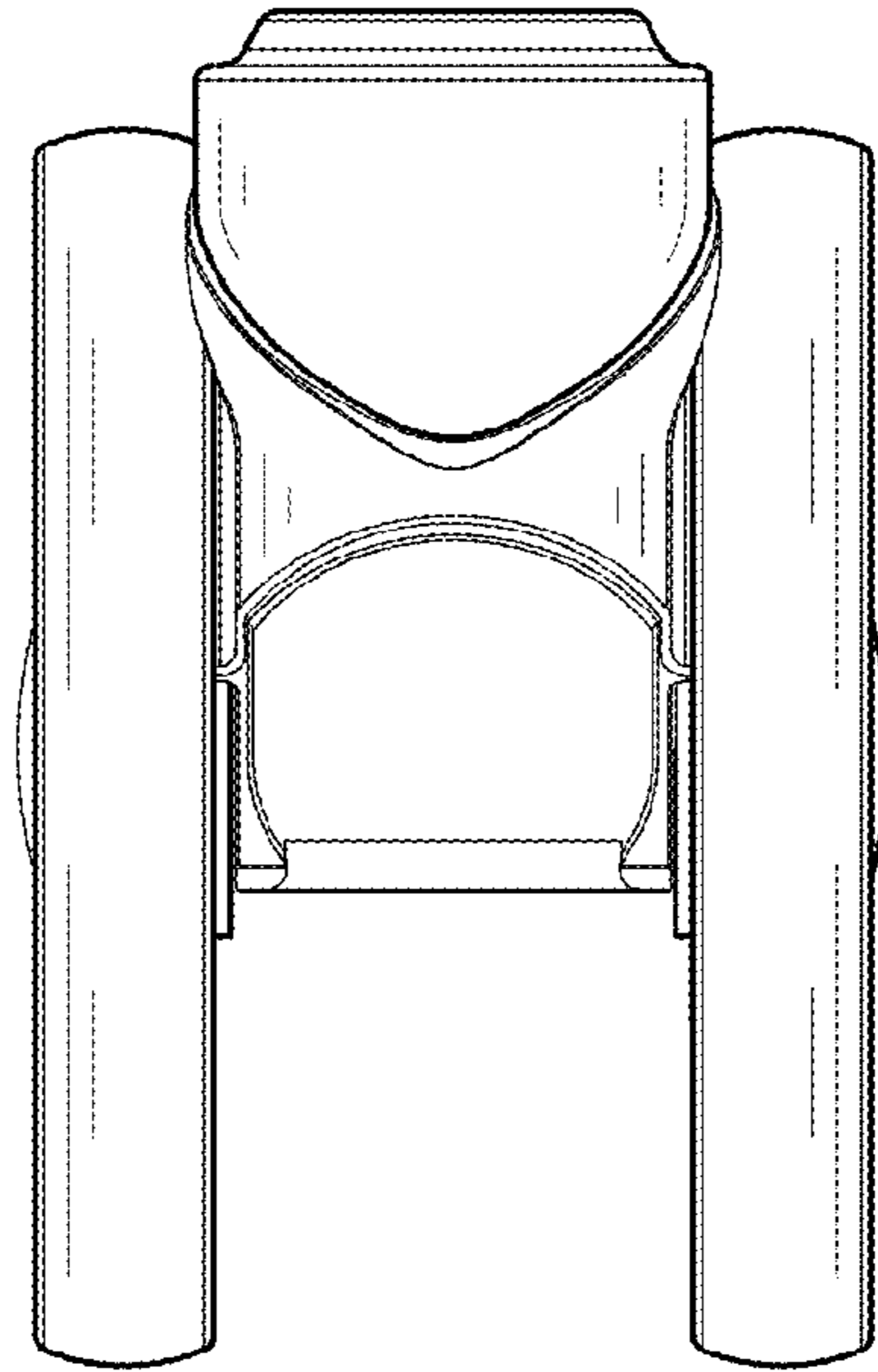


FIG. 2

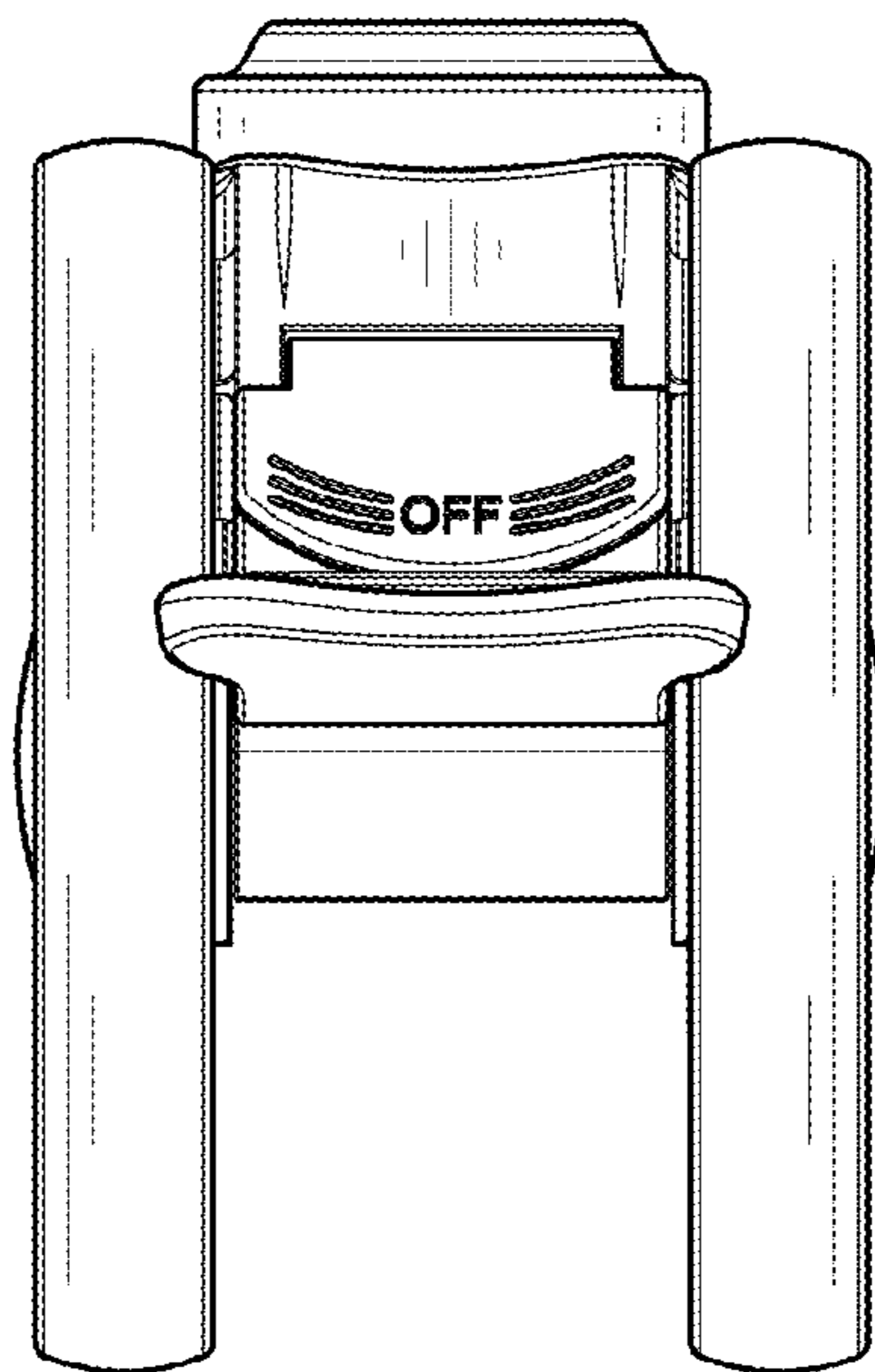


FIG. 3

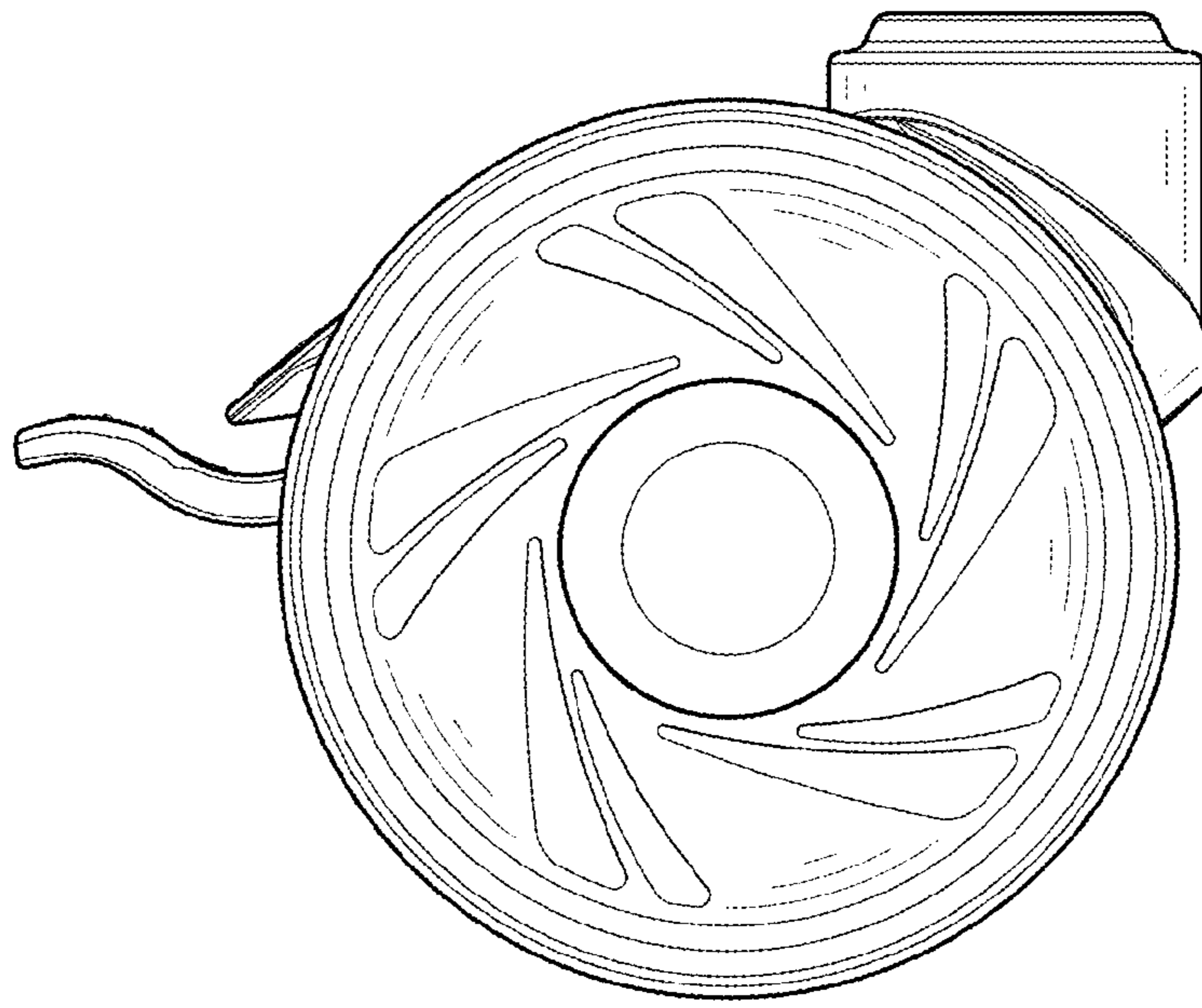


FIG.4

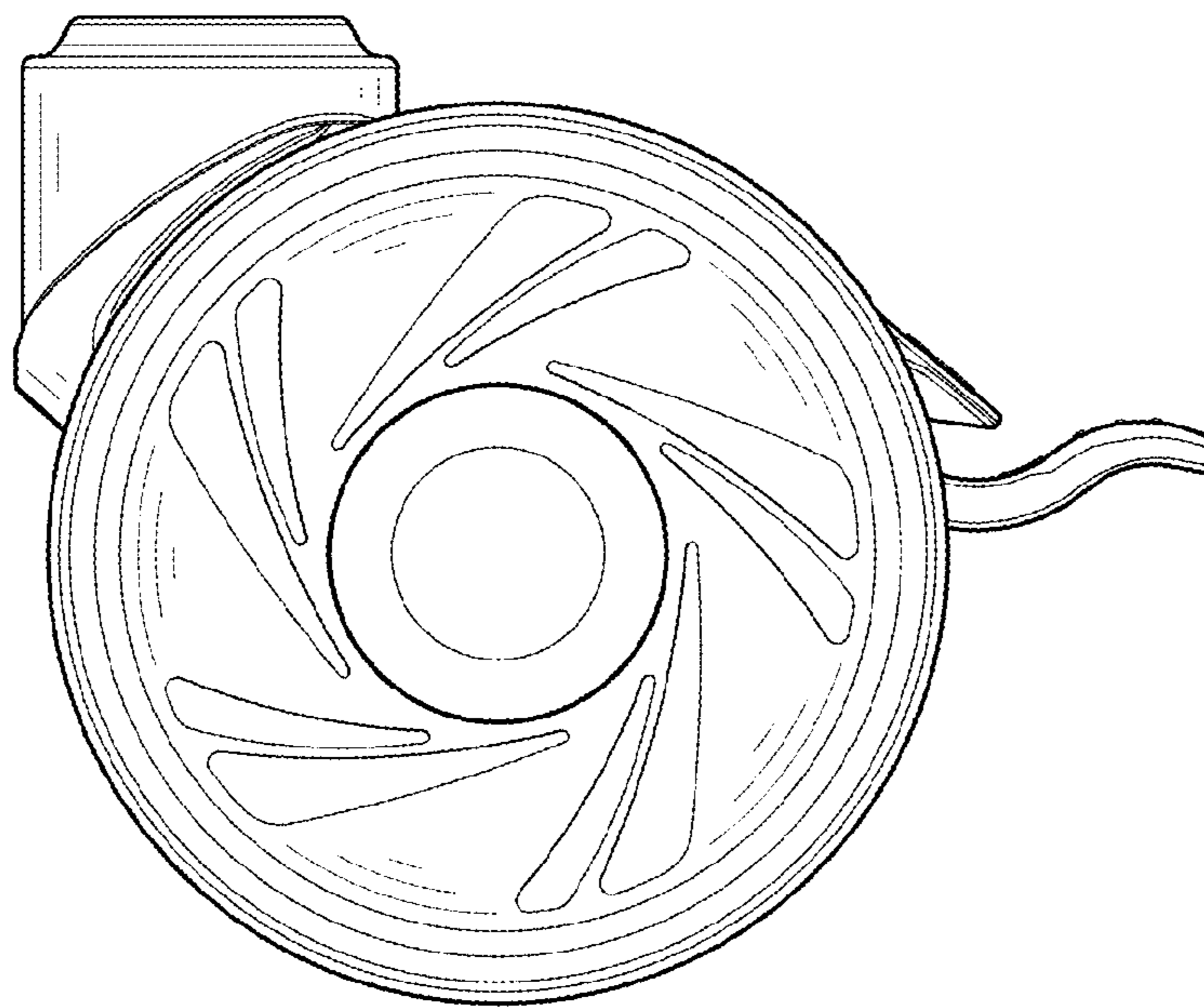


FIG.5

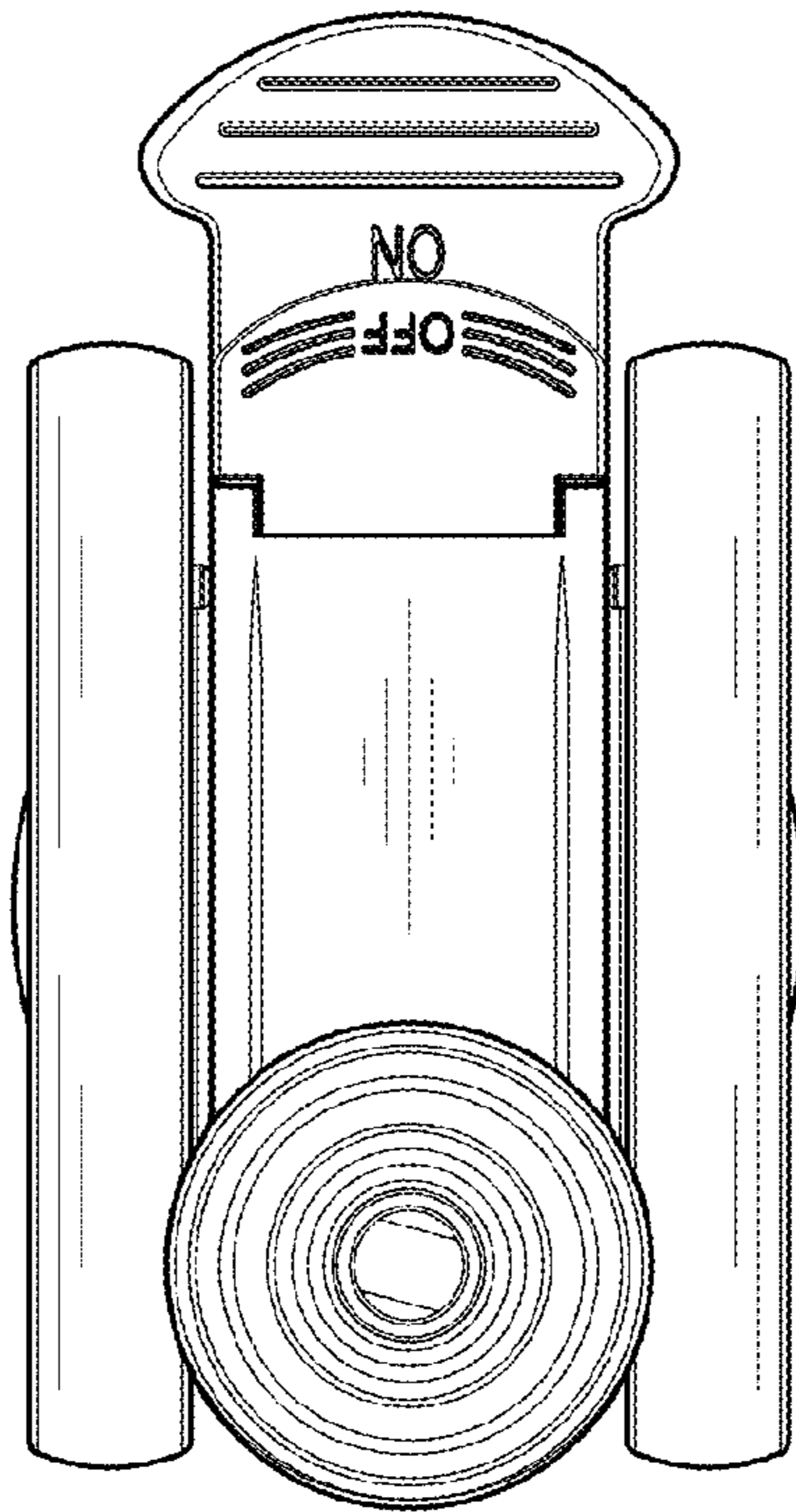


FIG.6

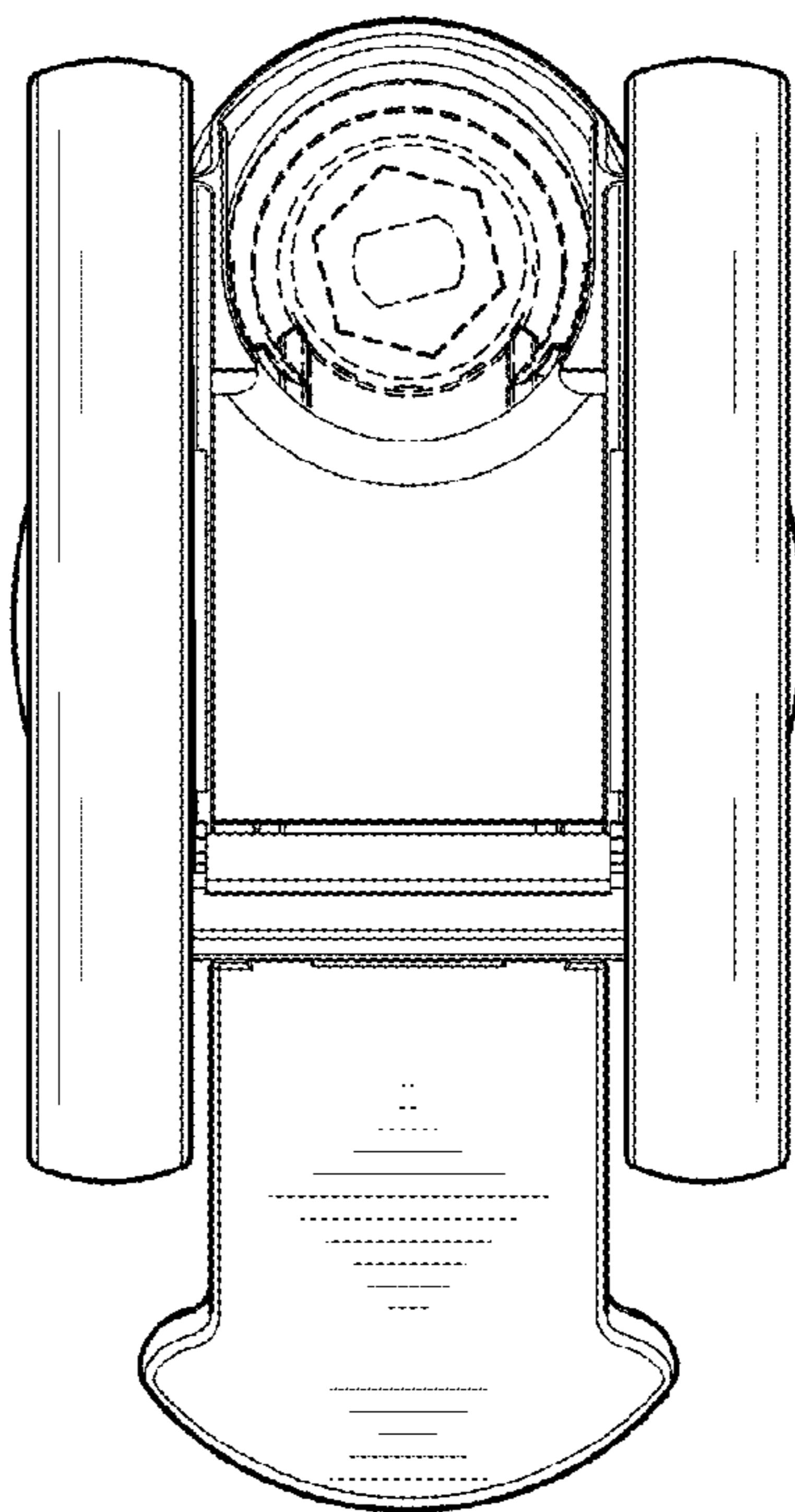


FIG.7