

US00D729049S

(12) **United States Design Patent**
Andren et al.

(10) **Patent No.:** **US D729,049 S**
(45) **Date of Patent:** **** May 12, 2015**

(54) **ROLLER MOUNT**

(71) Applicants: **Stefan B. Andren**, Portland, OR (US);
Steven William Savas, Milwaukie, OR (US)

(72) Inventors: **Stefan B. Andren**, Portland, OR (US);
Steven William Savas, Milwaukie, OR (US)

(73) Assignee: **Stefan B. Andren**, Portland, OR (US)

(**) Term: **14 Years**

(21) Appl. No.: **29/471,480**

(22) Filed: **Oct. 31, 2013**

(51) **LOC (10) Cl.** **08-05**

(52) **U.S. Cl.**
USPC **D8/373**

(58) **Field of Classification Search**
USPC D8/349, 354, 363, 373, 376, 377, 499;
16/87 R, 91, 94 R, 95 R, 97, 101, 106,
16/107, 404, 98; 49/70, 262, 507, 120;
248/682, 669, 694; 384/499, 455, 456
See application file for complete search history.

(56) **References Cited**

U.S. PATENT DOCUMENTS

113,697	A *	4/1871	Rumsey	16/97
143,557	A *	10/1873	Signall	16/97
223,985	A *	2/1880	Bottomley	16/106
244,418	A *	7/1881	Arnold	16/107
278,658	A *	5/1883	Elliott	186/27
279,898	A *	6/1883	Wilber	16/106
281,537	A *	7/1883	Mack	16/106
408,502	A *	8/1889	Morley	16/95 R
4,798,149	A *	1/1989	Hoffmann	105/155
D651,502	S *	1/2012	Andren	D8/349
8,474,097	B2 *	7/2013	Andren et al.	16/98
2011/0072613	A1 *	3/2011	Hays	16/91
2011/0315846	A1 *	12/2011	Andren et al.	248/323

OTHER PUBLICATIONS

Axel Krownlab, image post date Unknown, site visted Dec. 16, 2014 (online), <<http://krownlab.com/products/hardware-systems/axel/#axel#17>>.*

(Continued)

Primary Examiner — Sheryl Lane

Assistant Examiner — Ieisha Price

(74) *Attorney, Agent, or Firm* — Marger Johnson & McCollom, P.C.

(57) **CLAIM**

The ornamental design for a roller mount, as shown and described.

DESCRIPTION

FIG. 1 is a left, front, isometric view of the roller mount, showing a possible installation on a track and door shown in broken lines;

FIG. 2 is a back, front, isometric view of the roller mount of FIG. 1.

FIG. 3 is a front, elevational view of the roller mount of FIG. 1.

FIG. 4 is an, enlarged, partial, cross-sectional view of the roller mount of FIG. 1 taken along arrows 4-4 of FIG. 3.

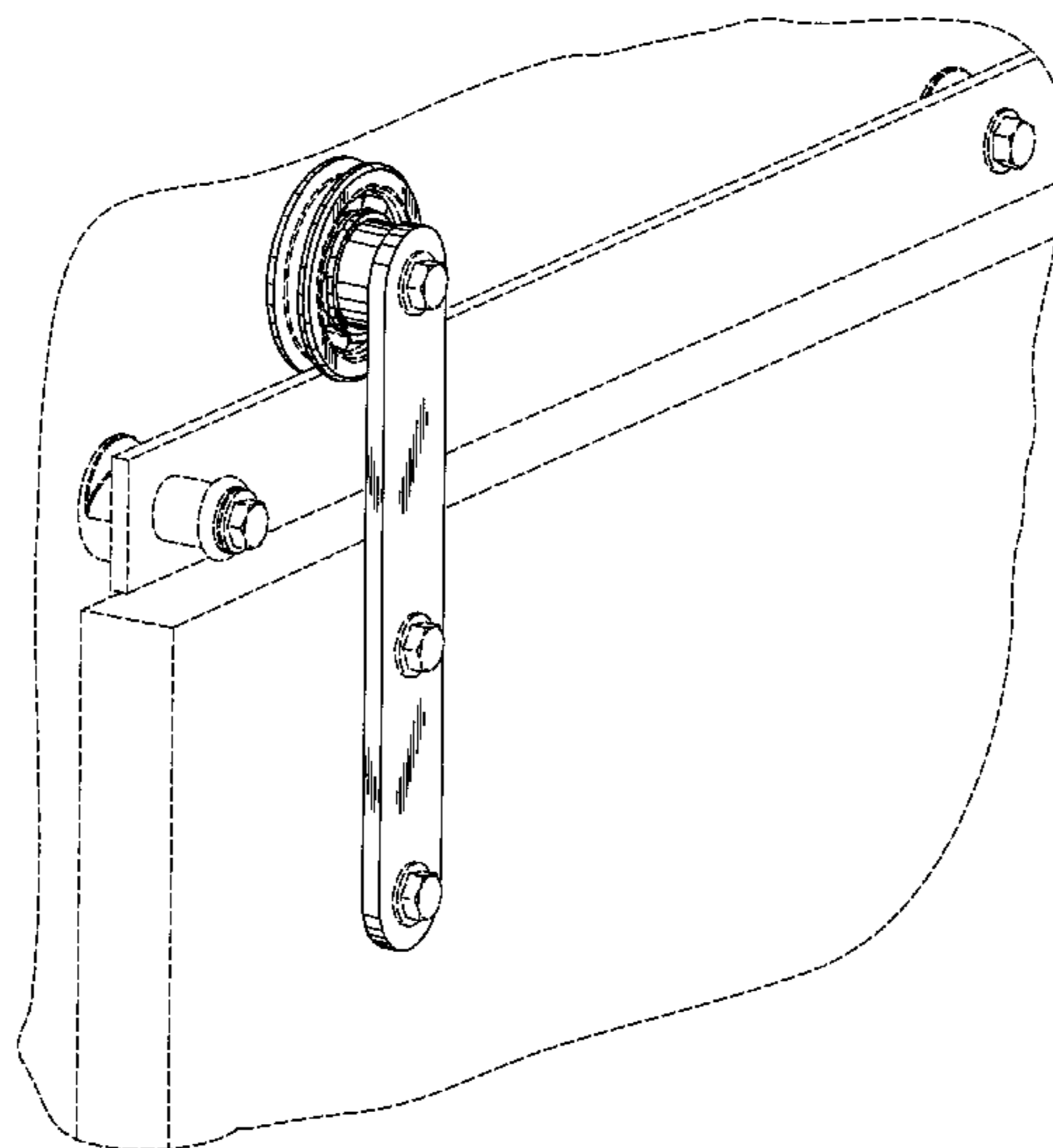
FIG. 5 is a left, side, elevational view of the roller mount of FIG. 1. The right, side, plan view being a mirror image thereof.

FIG. 6 is a back, elevational view of the roller mount of FIG. 1.

FIG. 7 is a top, plan view of the roller mount of FIG. 1; and, FIG. 8 is a bottom, plan view of the roller mount of FIG. 1.

The broken lines in the drawings illustrate portions of the roller bearing with lipped interior race which form no part of the claimed design.

1 Claim, 3 Drawing Sheets



(56)

References Cited

specialtydoors.com/barn-door-hardware/axel-sliding-door-hard-

OTHER PUBLICATIONS

ware/>.*

Axel Sliding Door Hardware—Speciality Doors, image post date
Unknown, site visted Dec. 16, 2014 (online), <<http://www.>

* cited by examiner

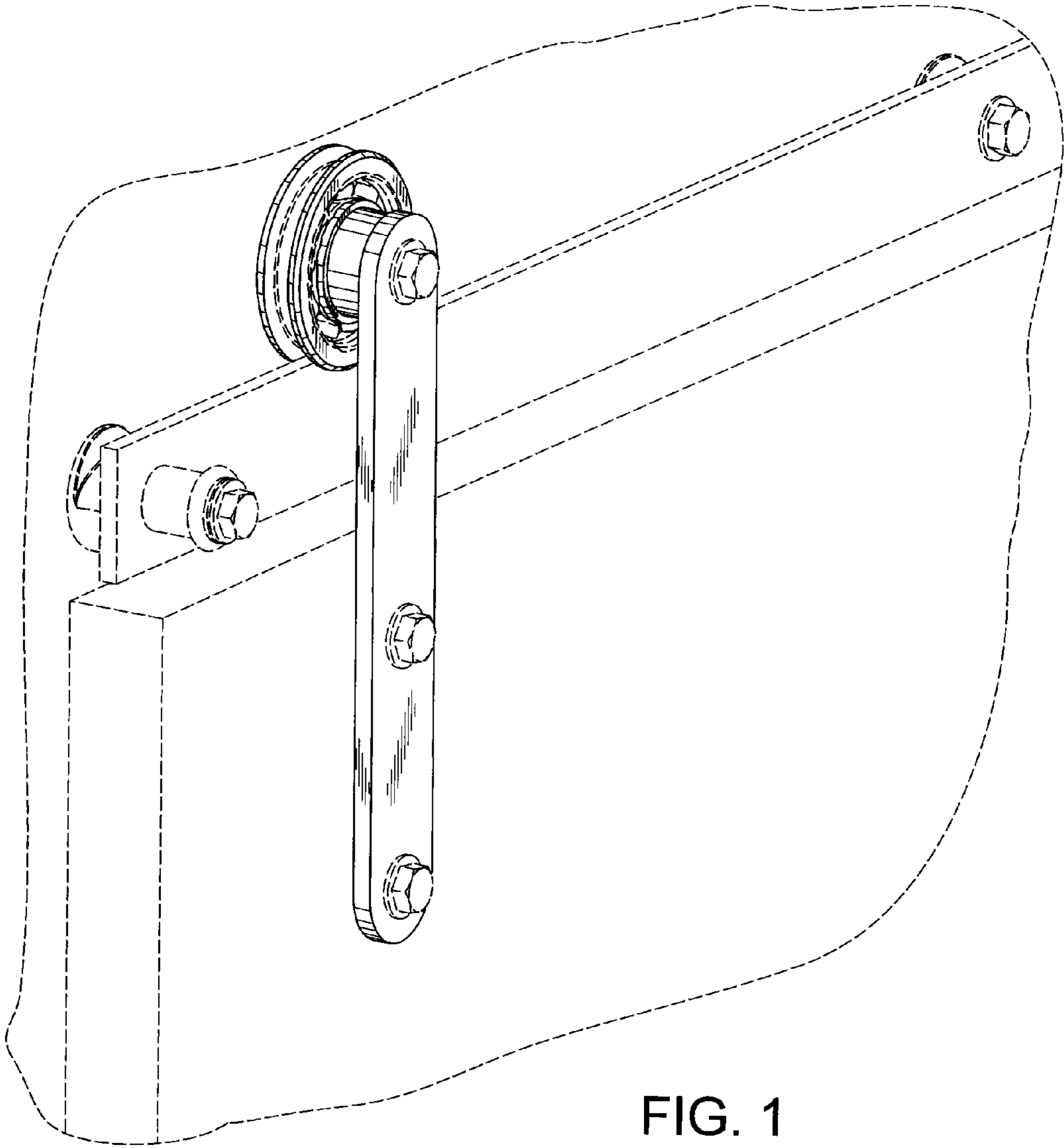


FIG. 1

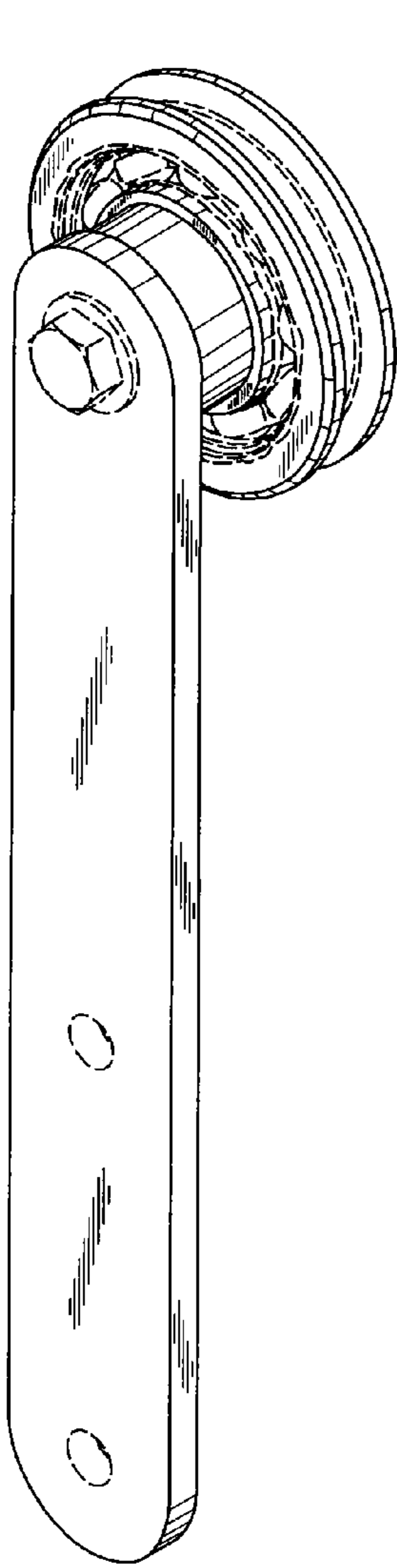


FIG. 2

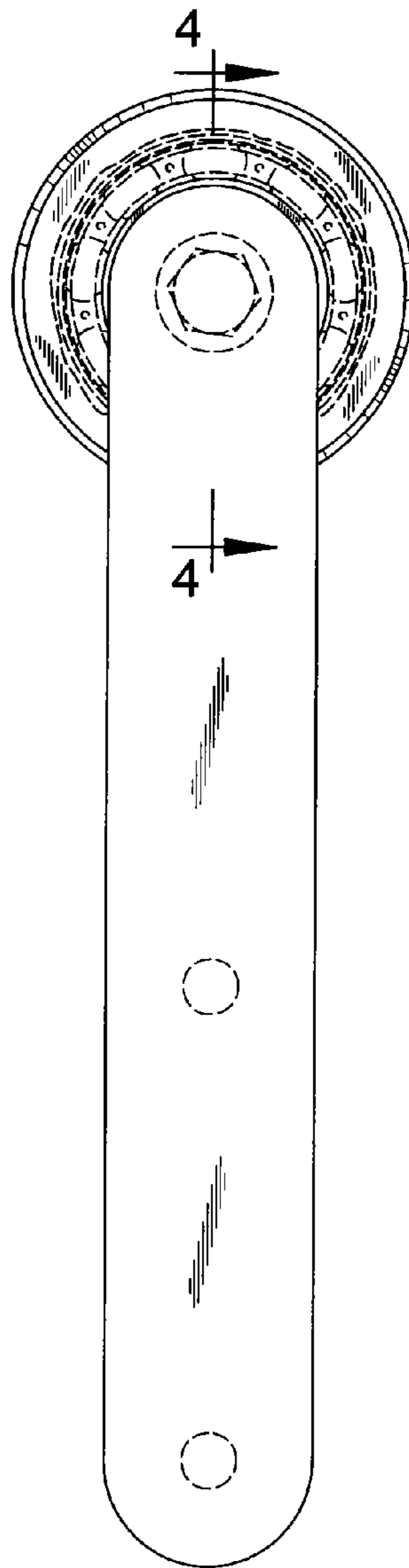


FIG. 3

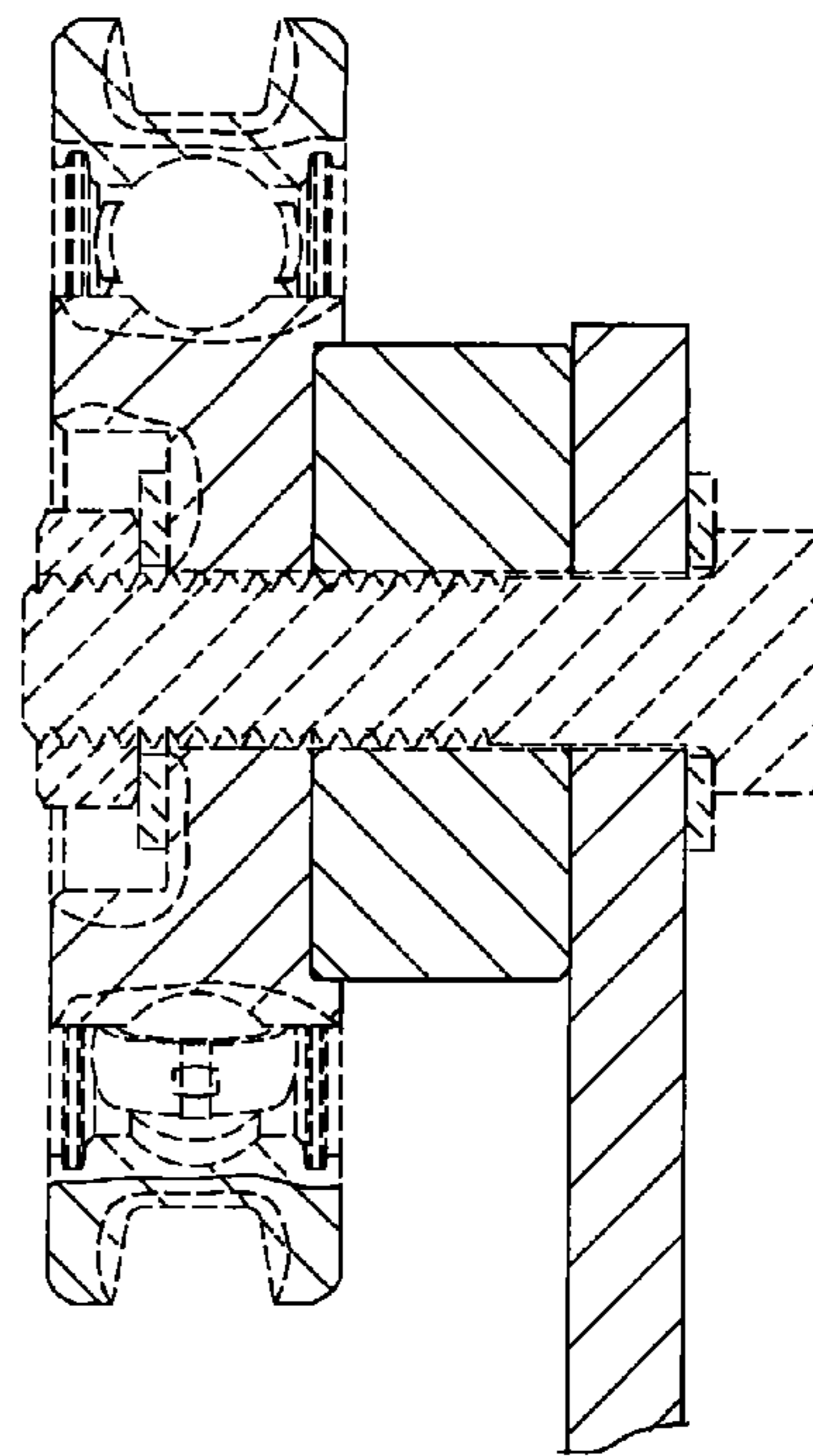


FIG. 4

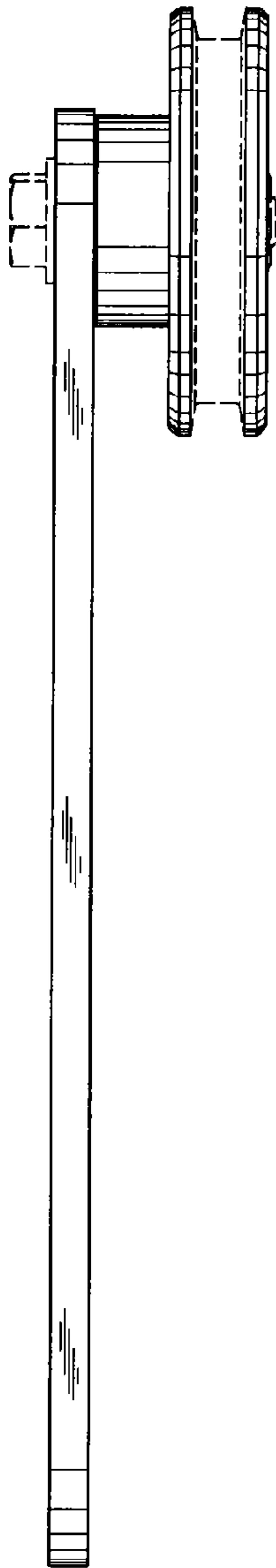


FIG. 5

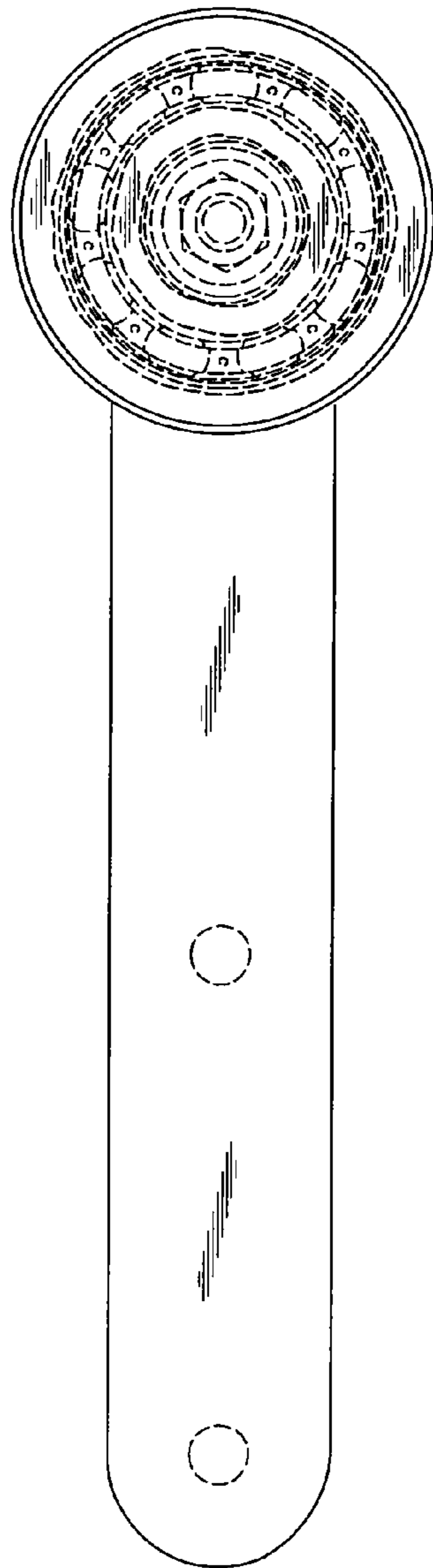


FIG. 6

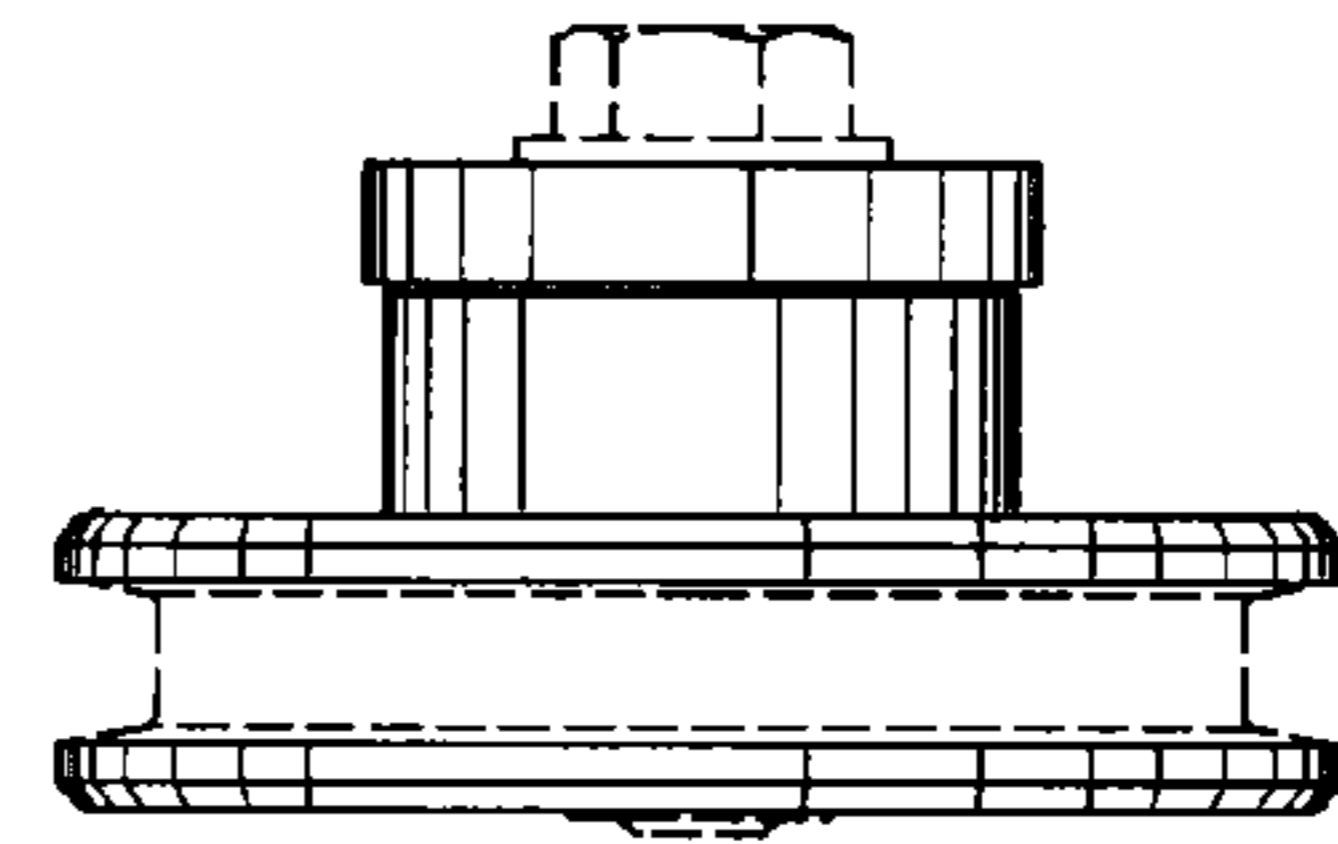


FIG. 7

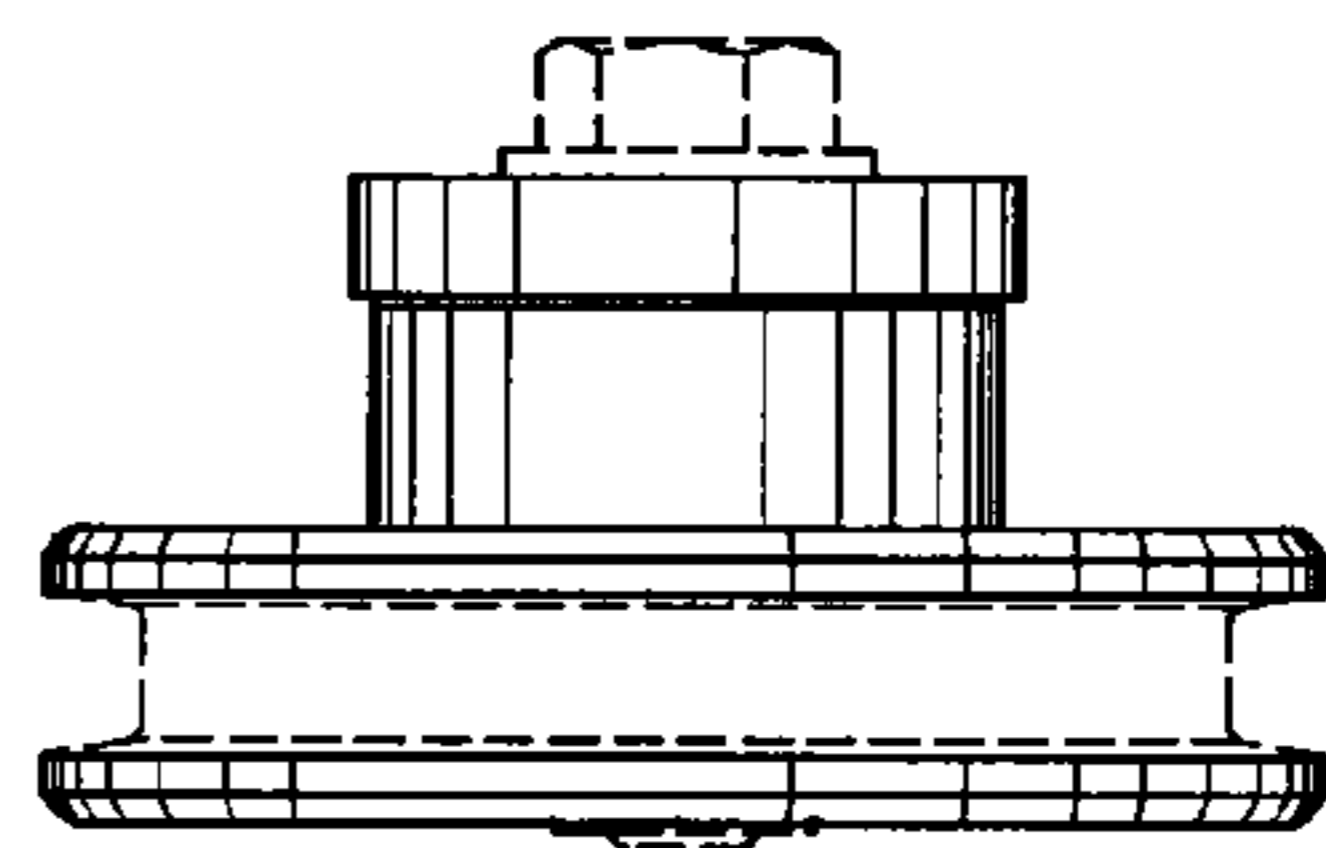


FIG. 8