

US00D729048S

(12) **United States Design Patent**  
**Goodman et al.**

(10) **Patent No.:** **US D729,048 S**

(45) **Date of Patent:** **\*\* May 12, 2015**

(54) **DOUBLE HOOK**

(71) Applicant: **Spectrum Diversified Designs, Inc.**,  
Streetsboro, OH (US)

(72) Inventors: **Sheldon H. Goodman**, Solon, OH (US);  
**Phaysouk Xayoiphonh**, Akron, OH  
(US)

(73) Assignee: **Spectrum Diversified Designs, Inc.**,  
Streetsboro, OH (US)

(\*\*) Term: **14 Years**

(21) Appl. No.: **29/447,234**

(22) Filed: **Mar. 1, 2013**

(51) **LOC (10) Cl.** ..... **08-05**

(52) **U.S. Cl.**  
USPC ..... **D8/372**

(58) **Field of Classification Search**  
USPC ..... D8/367, 373, 370; 248/301–304, 215  
See application file for complete search history.

(56) **References Cited**

**U.S. PATENT DOCUMENTS**

D387,569 S \* 12/1997 Goodman et al. .... D6/323  
D422,199 S \* 4/2000 Snell ..... D8/372  
D493,094 S \* 7/2004 Goodman et al. .... D8/372

D550,544 S \* 9/2007 Snell ..... D8/372  
D581,771 S \* 12/2008 Ernst et al. .... D8/372  
D613,586 S \* 4/2010 Goodman et al. .... D8/367  
D628,053 S \* 11/2010 Goodman et al. .... D8/372  
D646,960 S \* 10/2011 Goodman et al. .... D8/372

\* cited by examiner

*Primary Examiner* — Holly Baynham

(74) *Attorney, Agent, or Firm* — Benesch Friedlander  
Coplan & Aronoff LLP

(57) **CLAIM**

What is claimed is the ornamental design for a double hook,  
as shown and described.

**DESCRIPTION**

FIG. 1 is a perspective view of a double hook showing a new  
design;

FIG. 2 is a top view of the double hook of FIG. 1;

FIG. 3 is a front view of the double hook of FIG. 1;

FIG. 4 is a cross-sectional view along line 4-4 in FIG. 3;

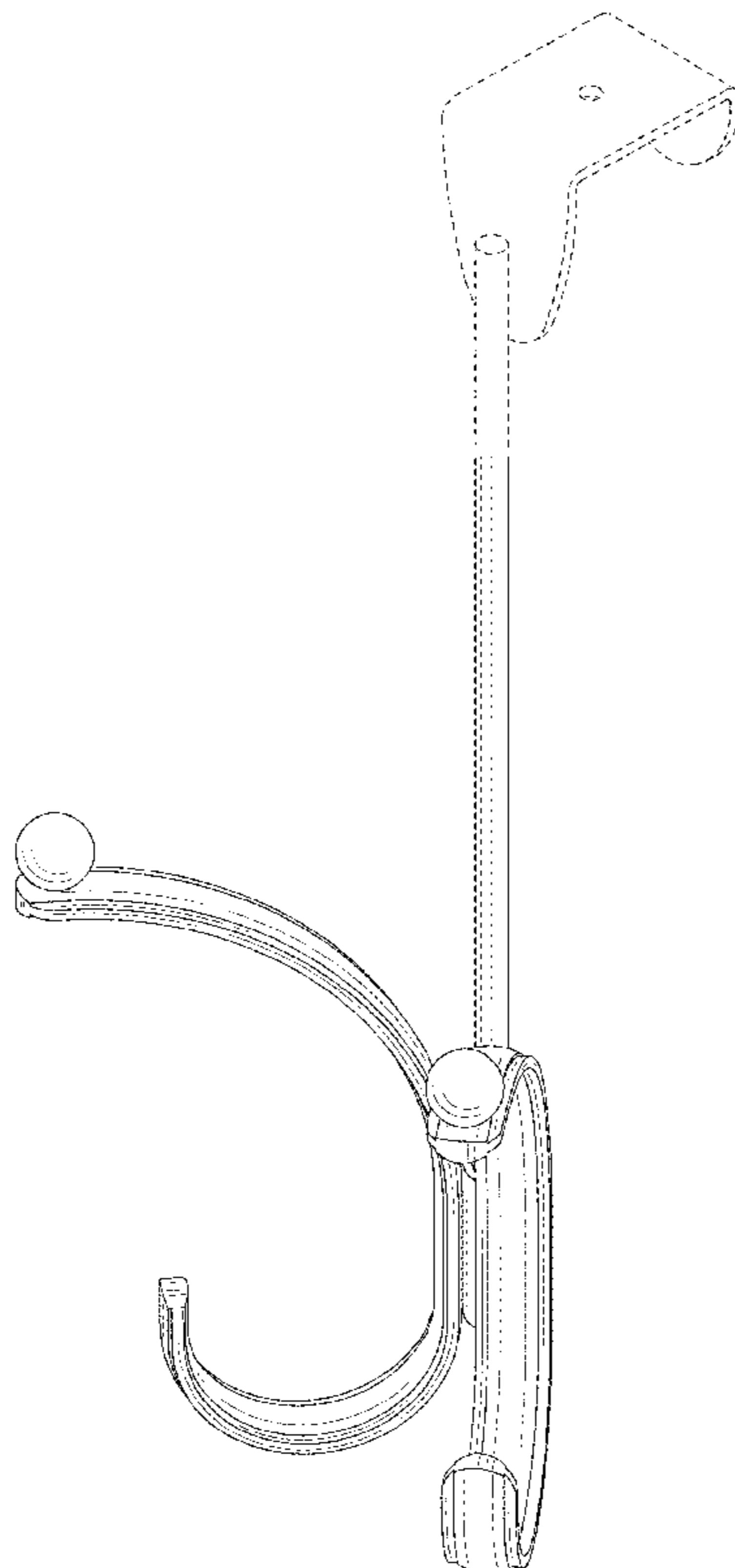
FIG. 5 is a side view of the double hook of FIG. 1;

FIG. 6 is a rear view of the double hook of FIG. 1; and,

FIG. 7 is a bottom view of the double hook of FIG. 1.

The broken line showing of a support bracket is included for  
the purpose of illustrating environmental structure and forms  
no part of the claimed design.

**1 Claim, 2 Drawing Sheets**



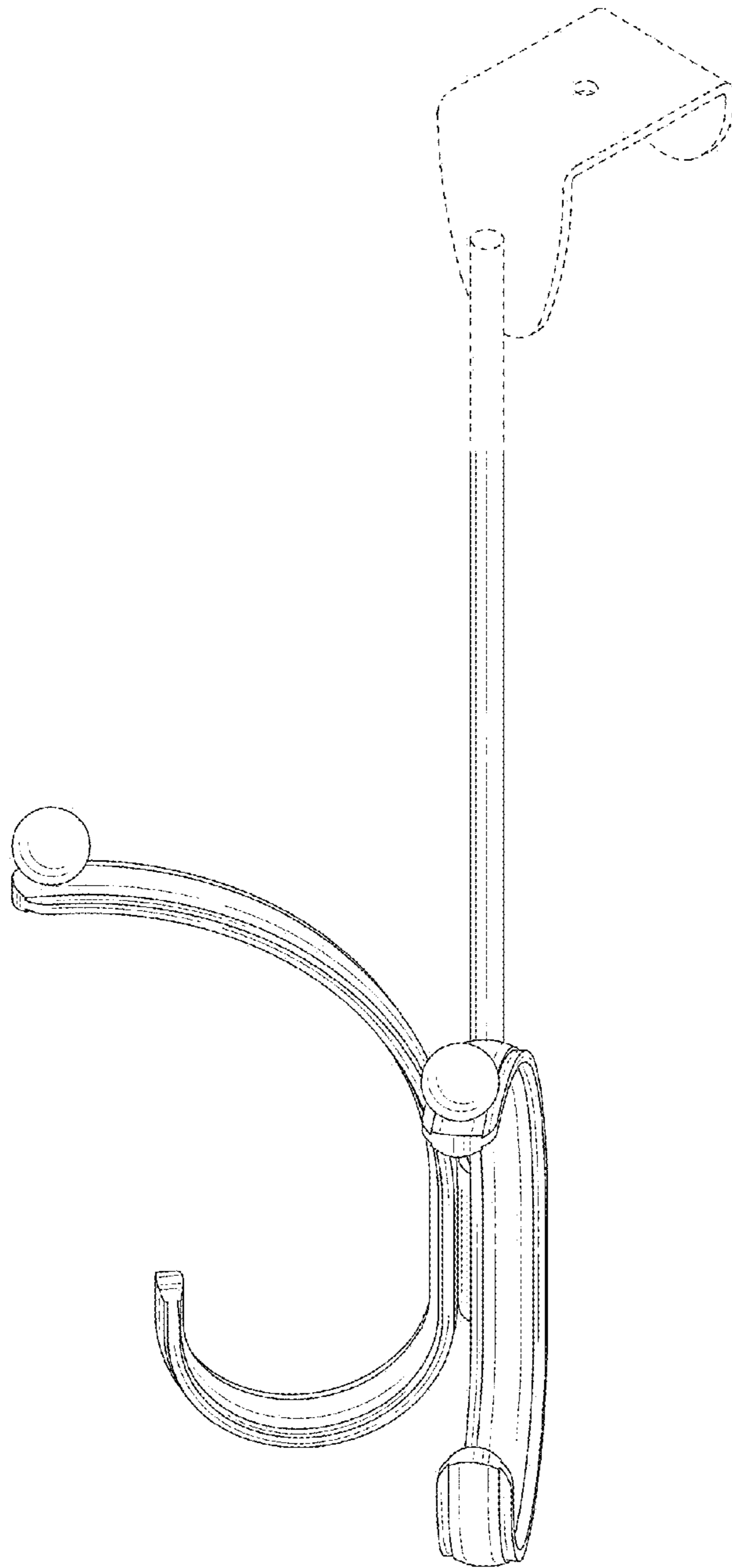


FIG. 1

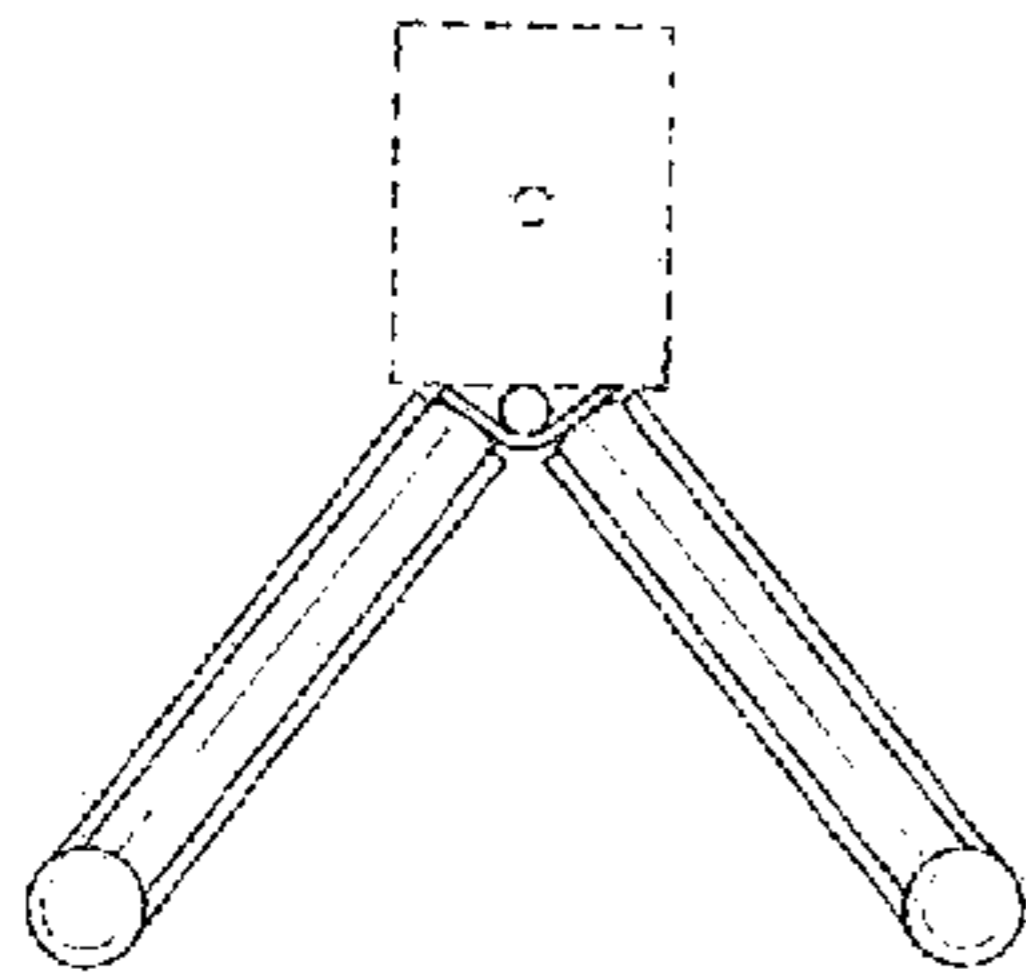


FIG. 2

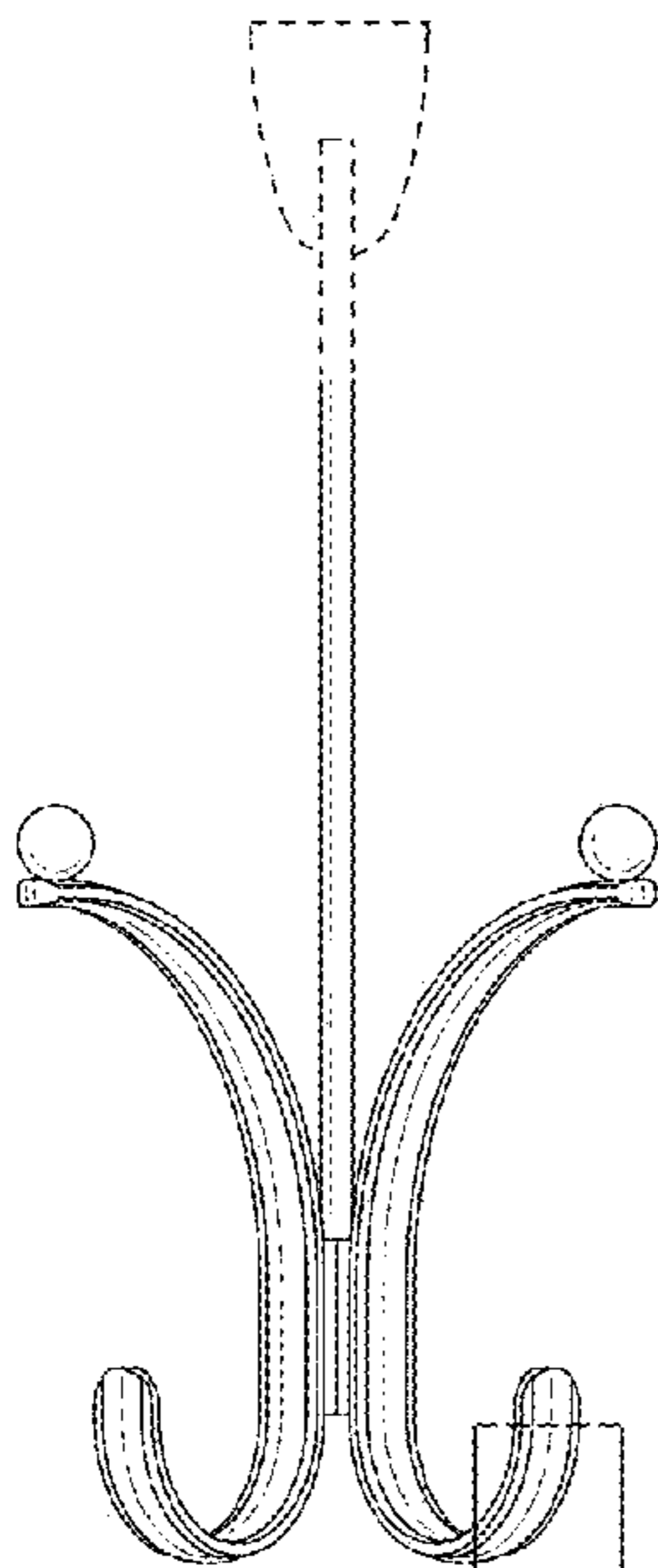


FIG. 3

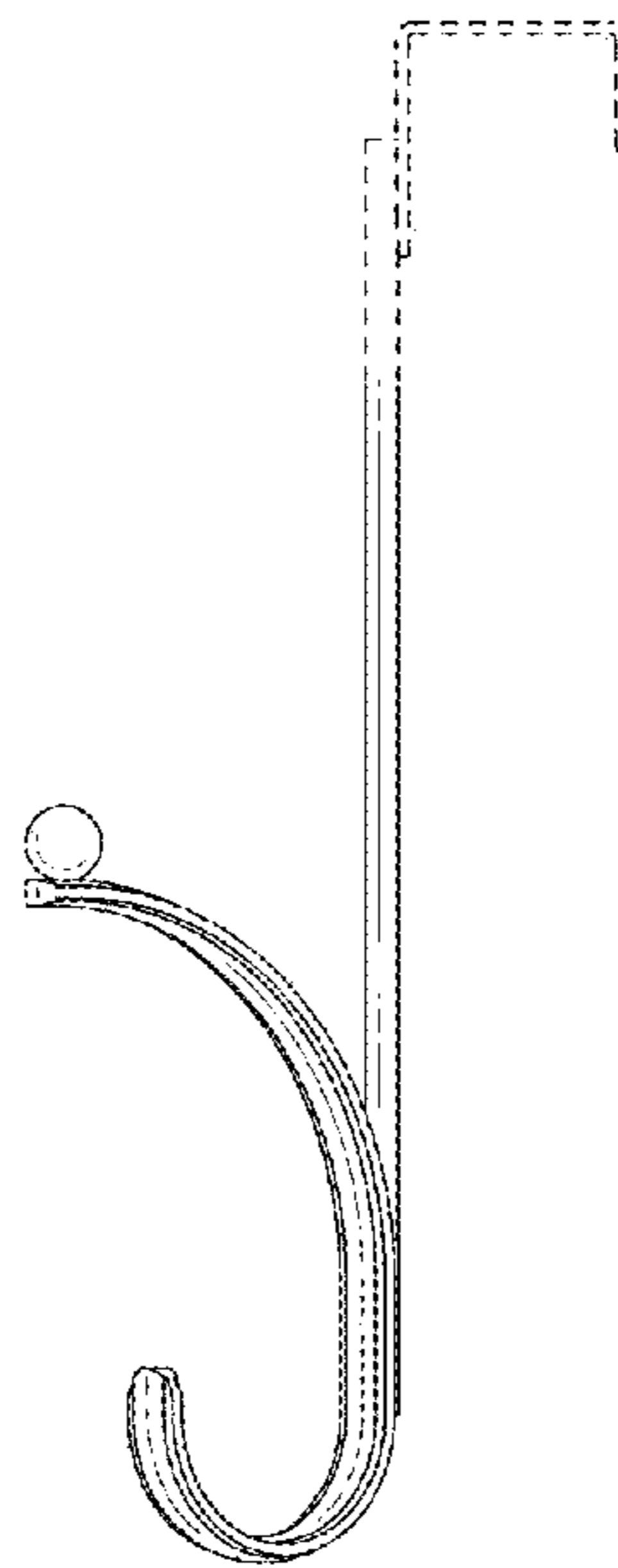
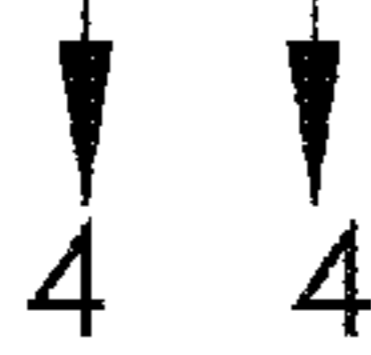


FIG. 5

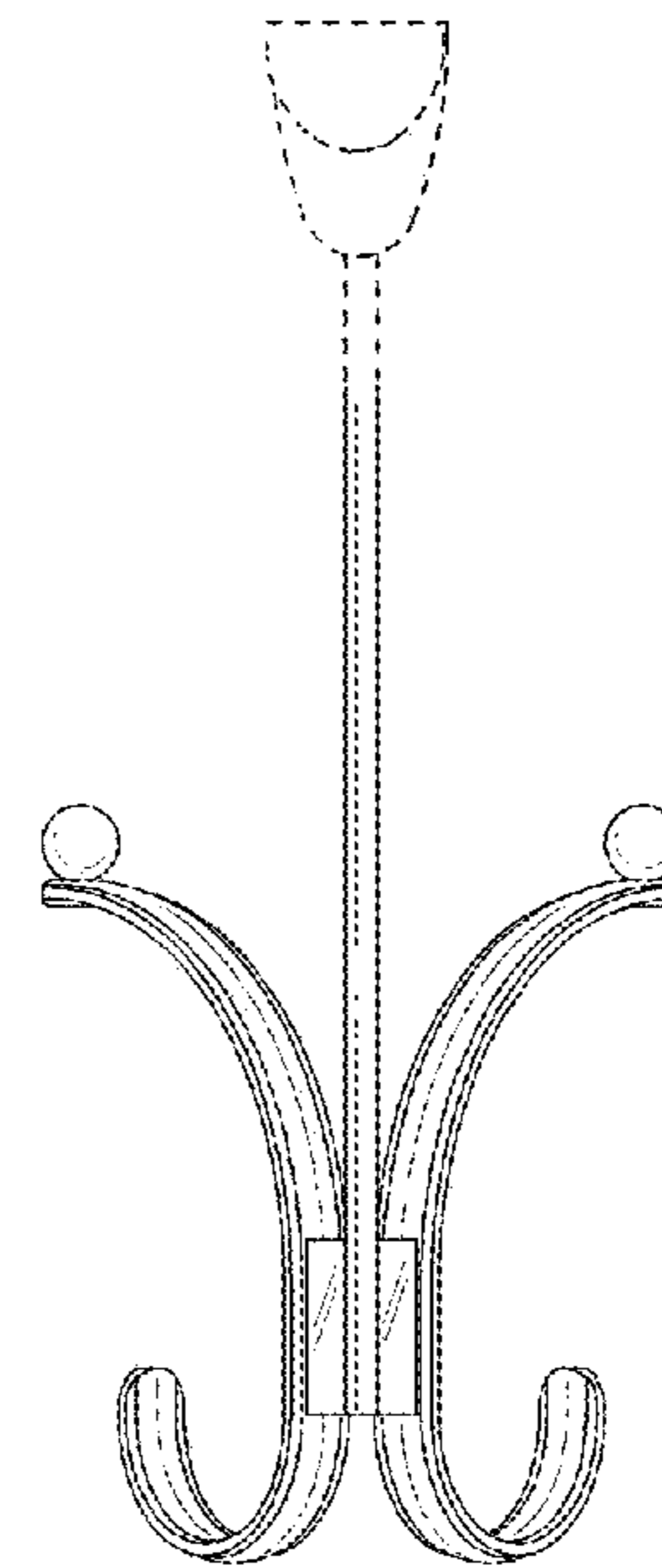


FIG. 6

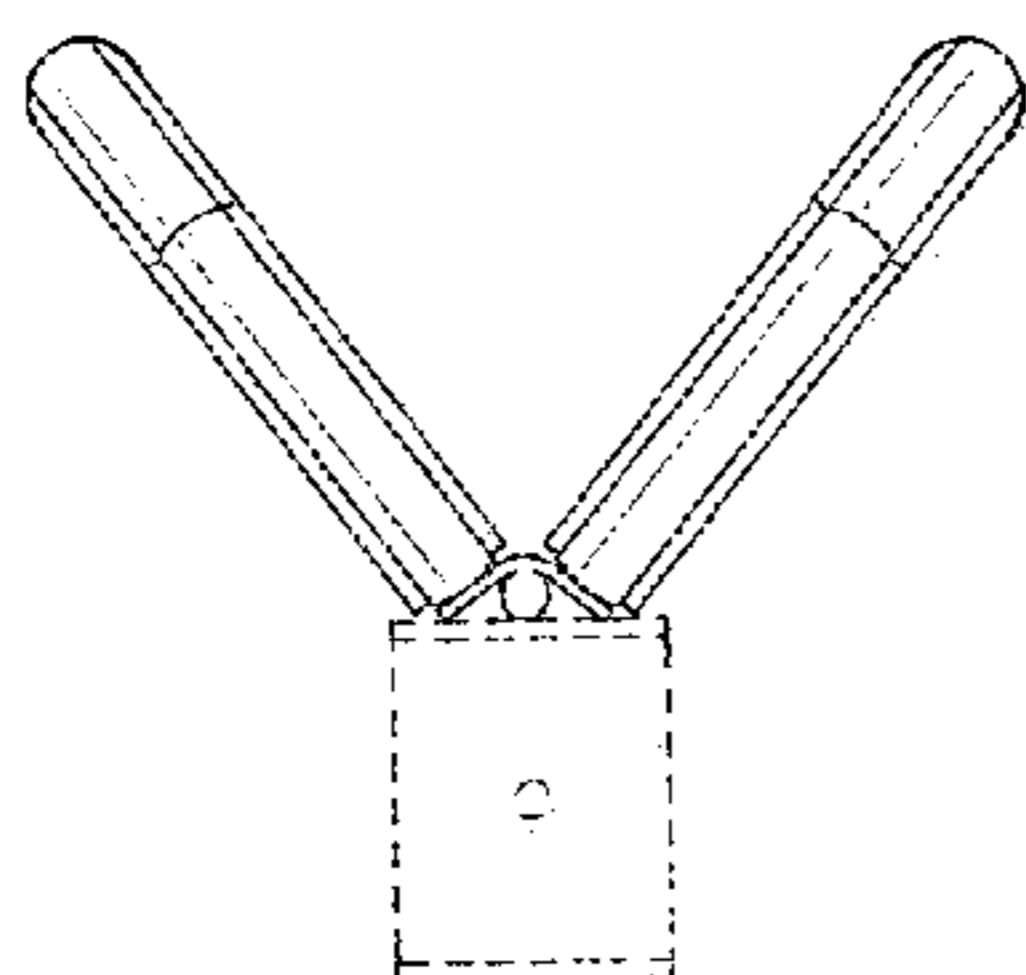


FIG. 7

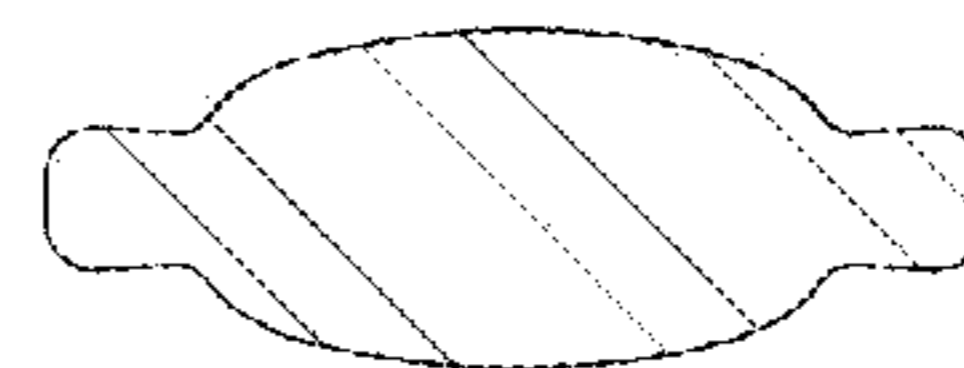


FIG. 4