



US00D729047S

(12) **United States Design Patent**
Goodman et al.

(10) **Patent No.:** **US D729,047 S**
(45) **Date of Patent:** **** May 12, 2015**

(54) **DOUBLE HOOK**

(71) Applicant: **Spectrum Diversified Designs, Inc.**,
Streetsboro, OH (US)

(72) Inventors: **Sheldon H. Goodman**, Solon, OH (US);
Phaysouk Xayoiphonh, Akron, OH
(US); **Jennifer Case**, Middleburg
Heights, OH (US)

(73) Assignee: **Spectrum Diversified Designs, Inc.**,
Streetsboro, OH (US)

(**) Term: **14 Years**

(21) Appl. No.: **29/447,199**

(22) Filed: **Mar. 1, 2013**

(51) **LOC (10) Cl.** **08-05**

(52) **U.S. Cl.**
USPC **D8/372**

(58) **Field of Classification Search**
USPC D8/367, 370, 373; 248/301-304, 215
See application file for complete search history.

(56) **References Cited**

U.S. PATENT DOCUMENTS

D387,569 S * 12/1997 Goodman et al. D6/323
D422,199 S * 4/2000 Snell D8/372

D493,094 S * 7/2004 Goodman et al. D8/372
D550,544 S * 9/2007 Snell D8/372
D581,771 S * 12/2008 Ernst et al. D8/372
D613,586 S * 4/2010 Goodman et al. D8/367
D628,053 S * 11/2010 Goodman et al. D8/372
D646,960 S * 10/2011 Goodman et al. D8/372

* cited by examiner

Primary Examiner — Holly Baynham

(74) *Attorney, Agent, or Firm* — Benesch Friedlander
Coplan & Aronoff LLP

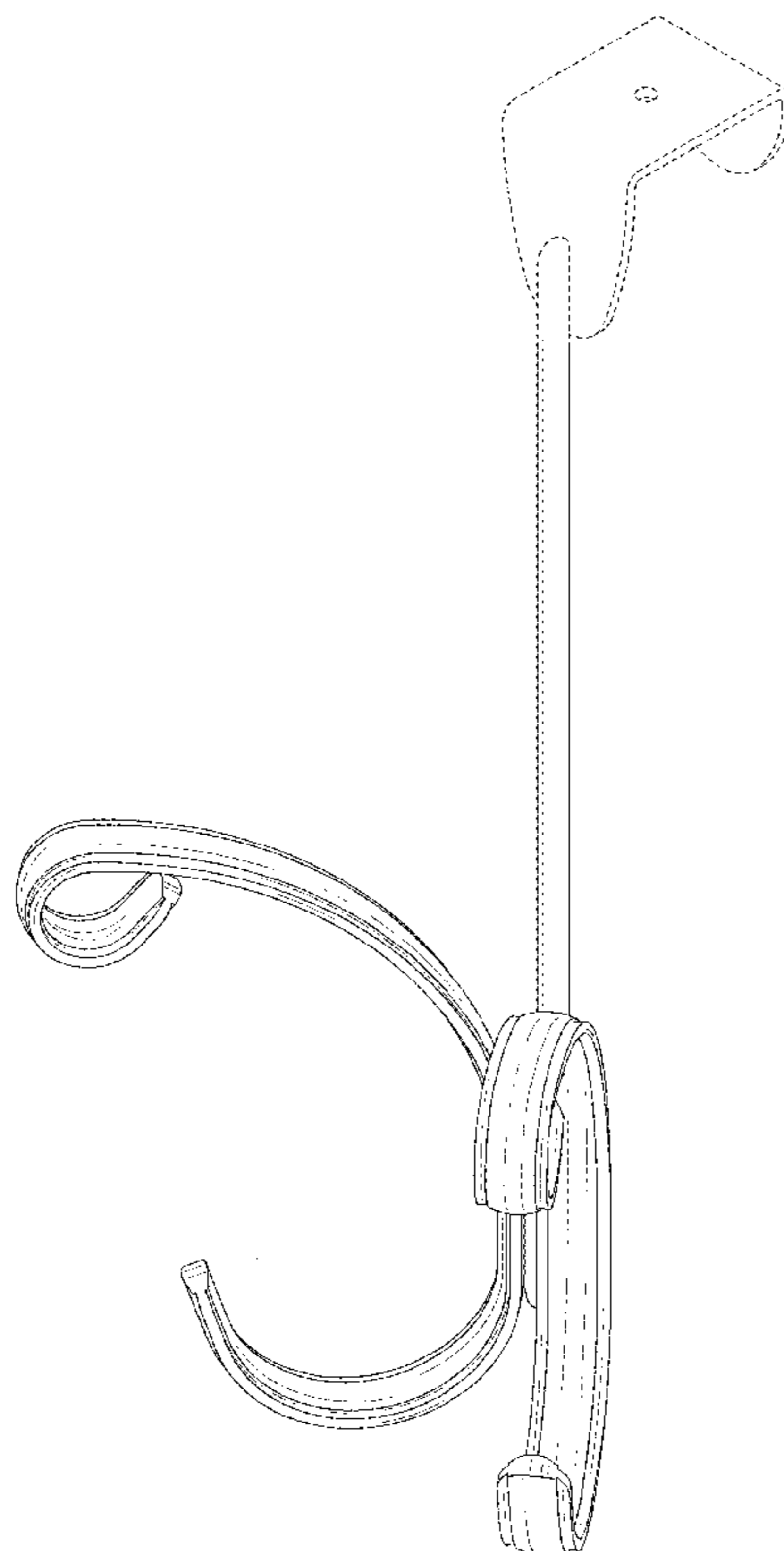
(57) **CLAIM**

What is claimed is the ornamental design for a double hook,
as shown and described.

DESCRIPTION

FIG. 1 is a perspective view of a double hook showing a new
design;
FIG. 2 is a top view of the double hook of FIG. 1;
FIG. 3 is a front view of the double hook of FIG. 1;
FIG. 4 is a cross-sectional view along line 4-4 in FIG. 3;
FIG. 5 is a side view of the double hook of FIG. 1;
FIG. 6 is a rear view of the double hook of FIG. 1; and,
FIG. 7 is a bottom view of the double hook of FIG. 1.
The broken line showing of a support bracket is included for
the purpose of illustrating environmental structure and forms
no part of the claimed design.

1 Claim, 2 Drawing Sheets



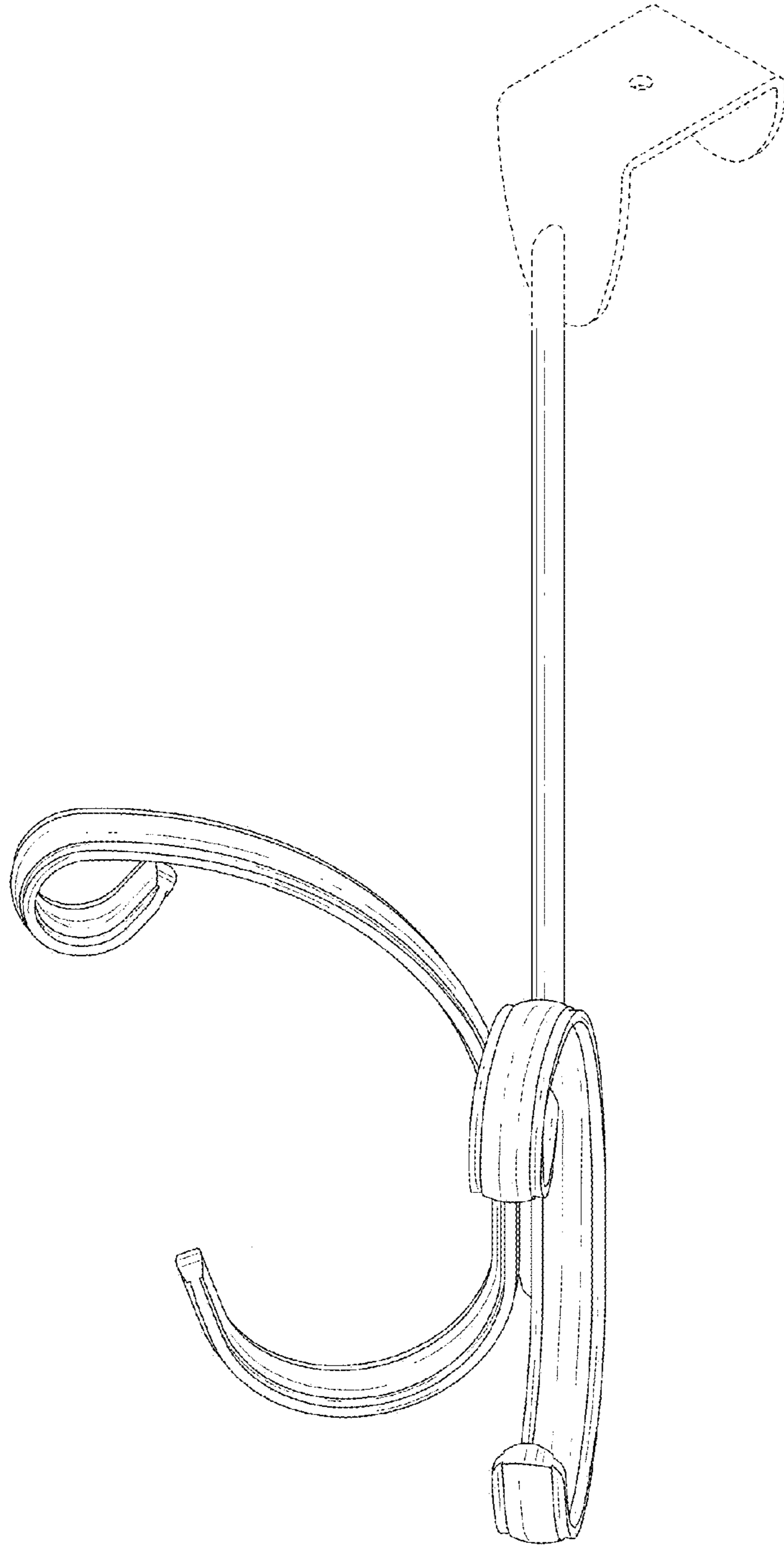


FIG. 1

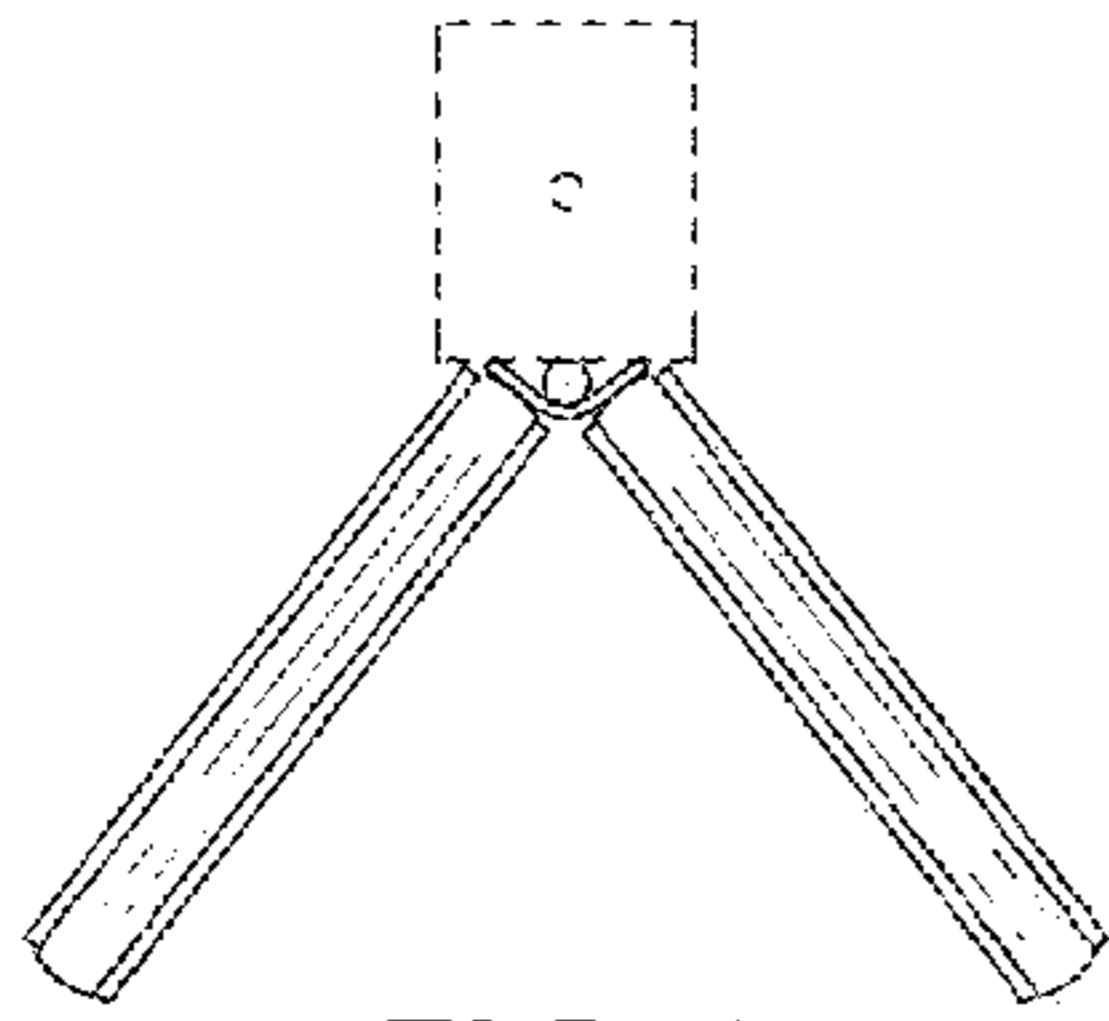


FIG. 2

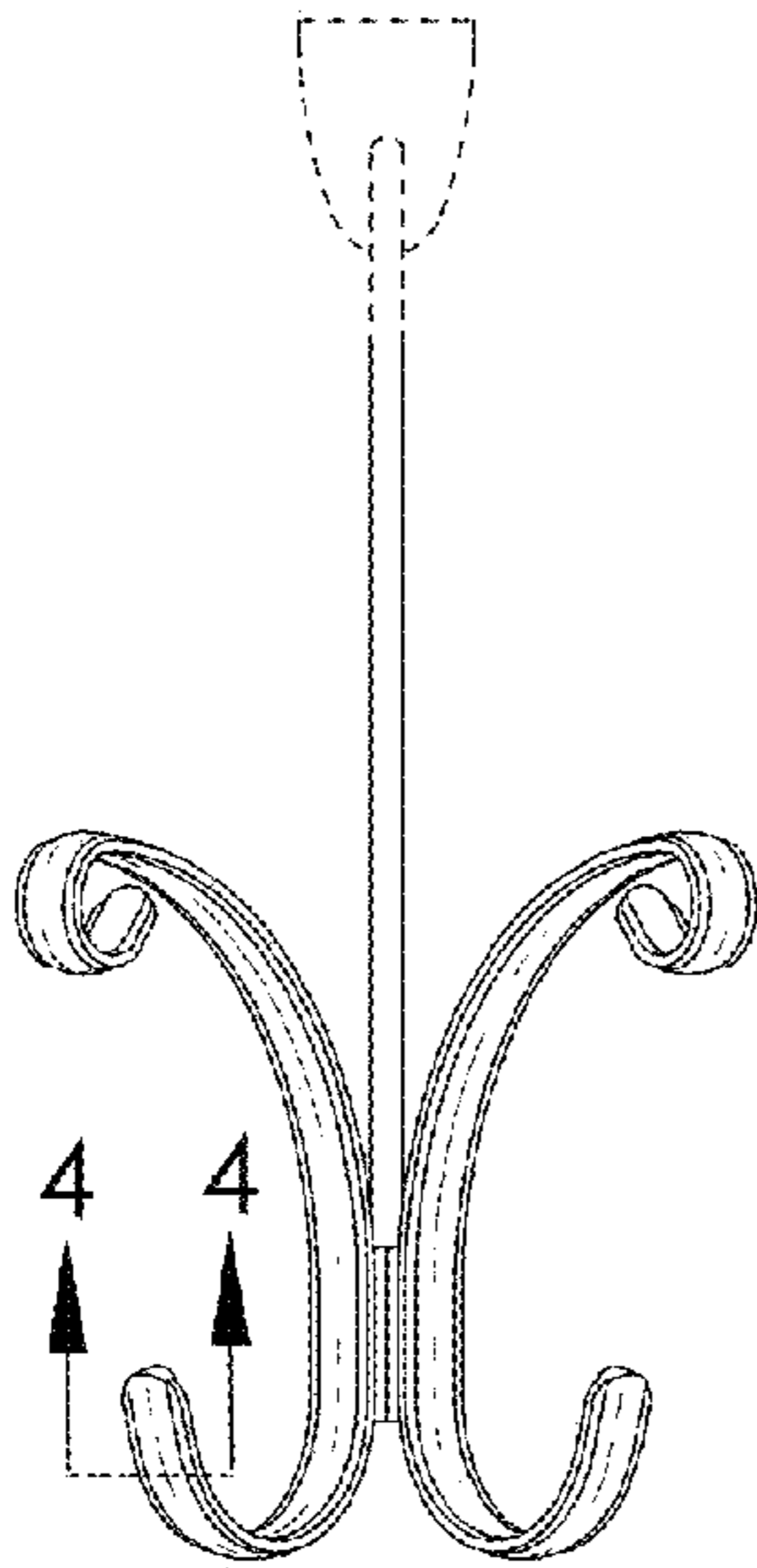


FIG. 3

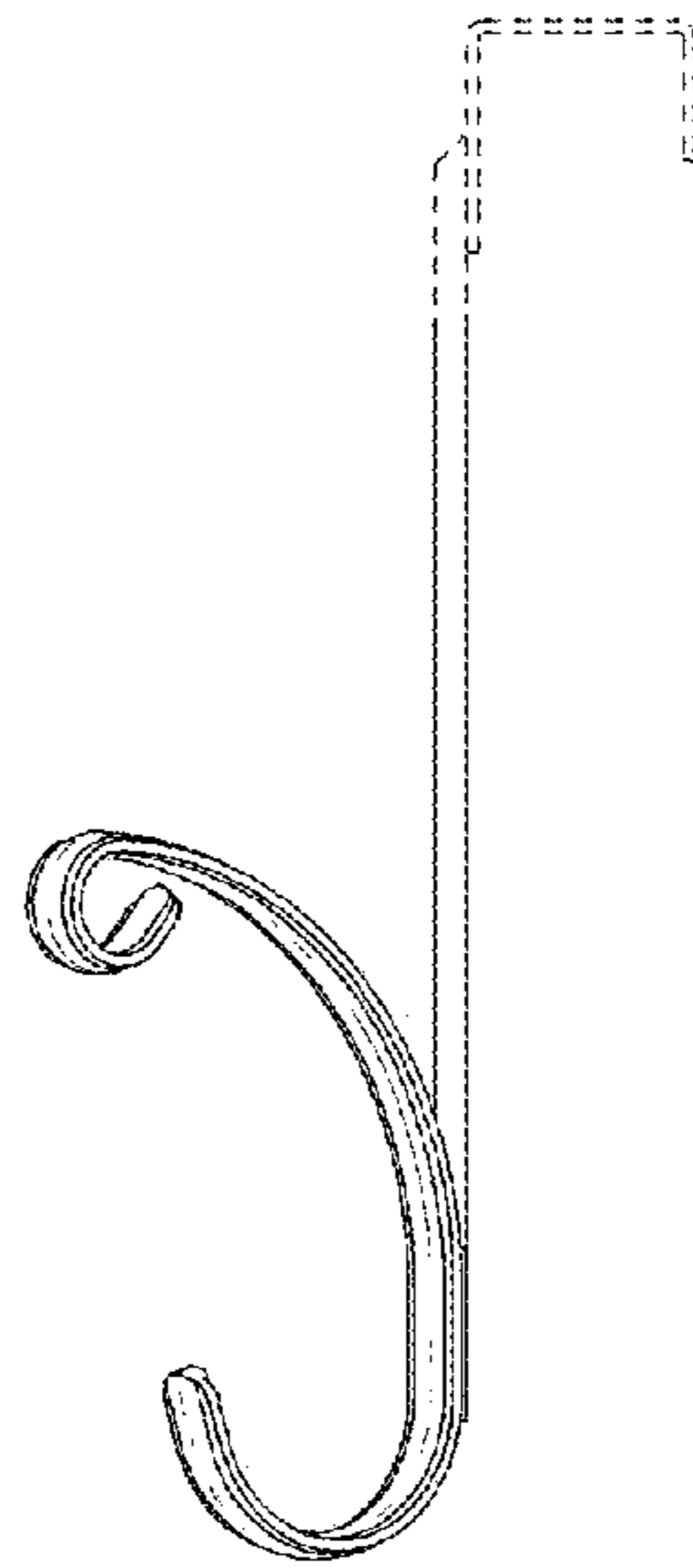


FIG. 5

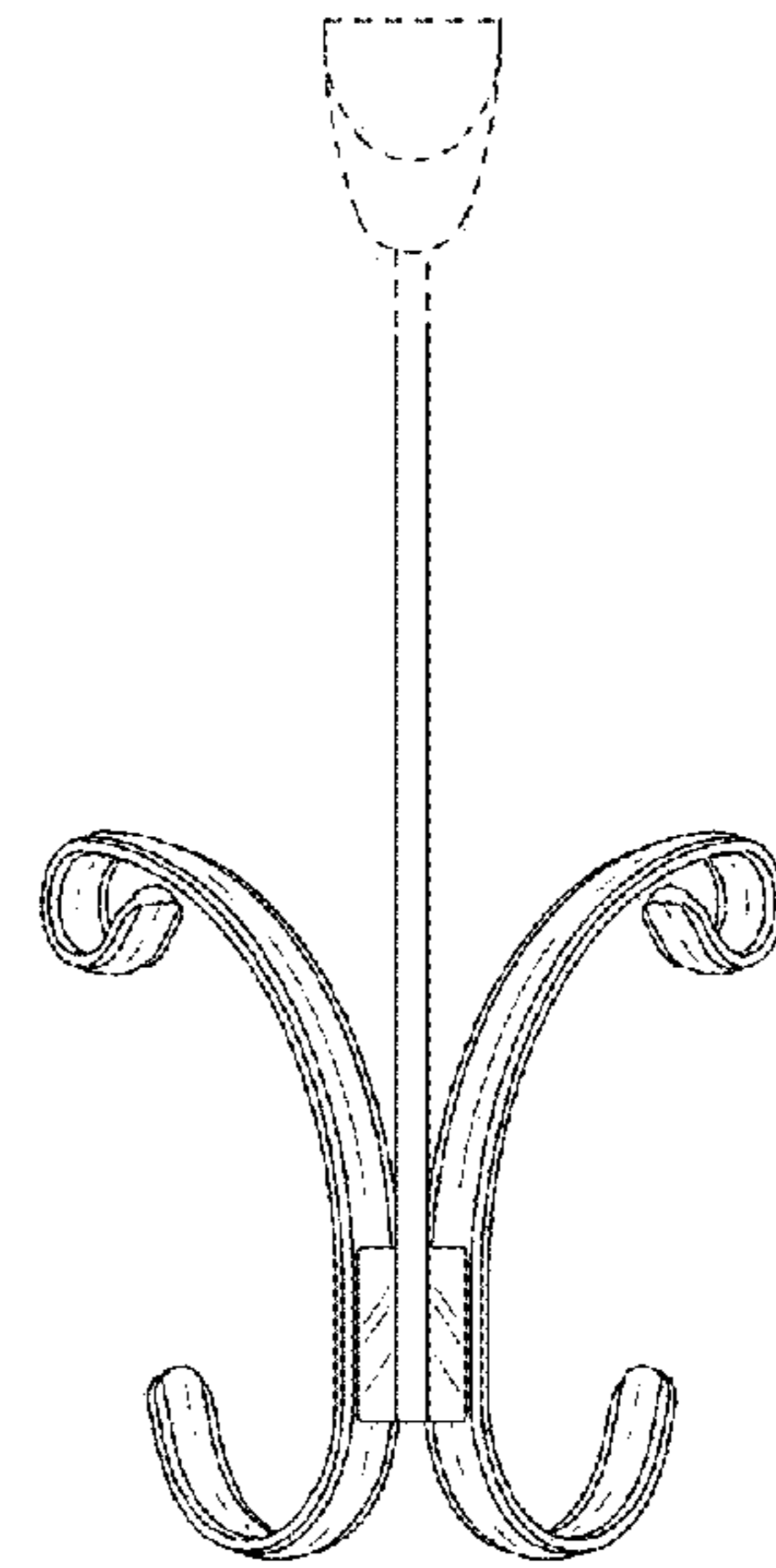


FIG. 6

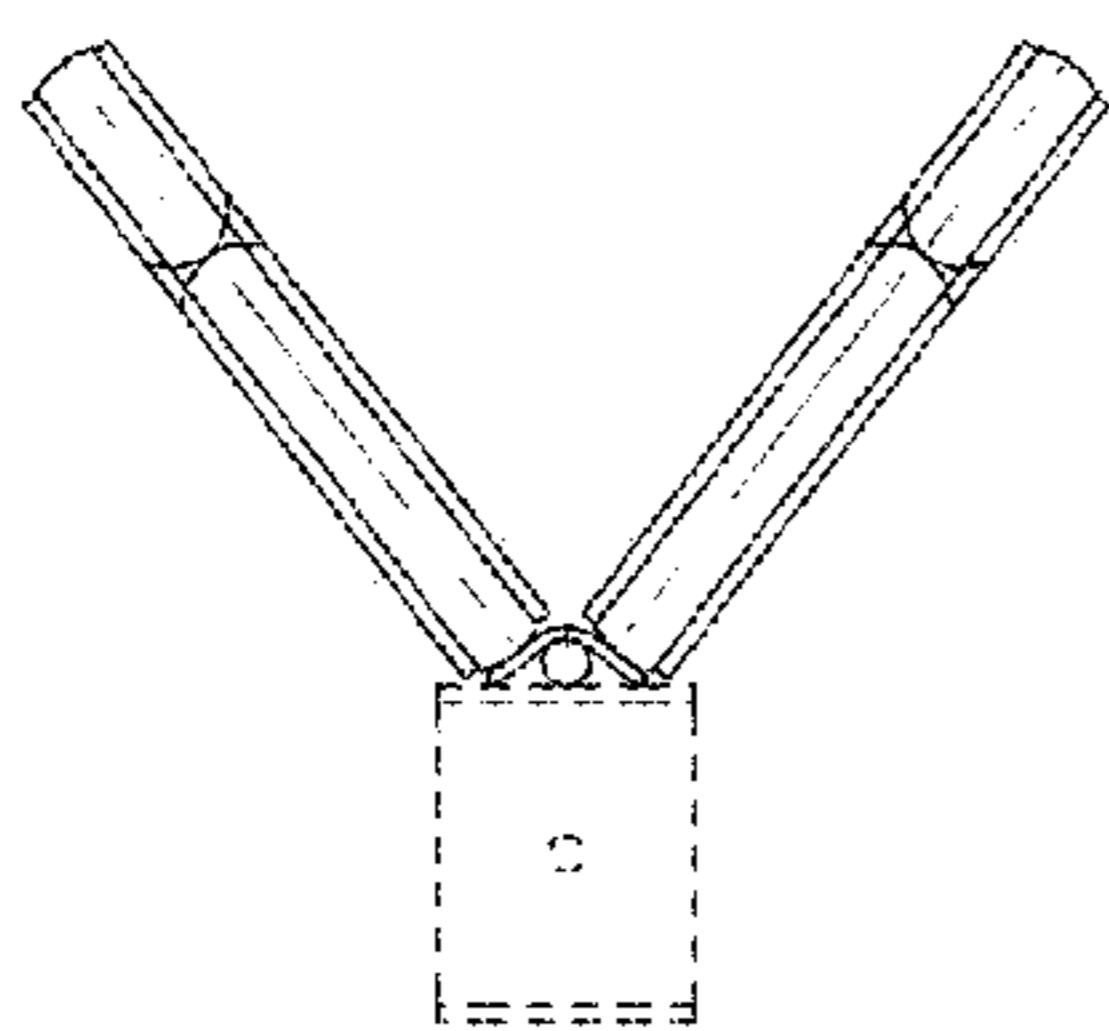


FIG. 7

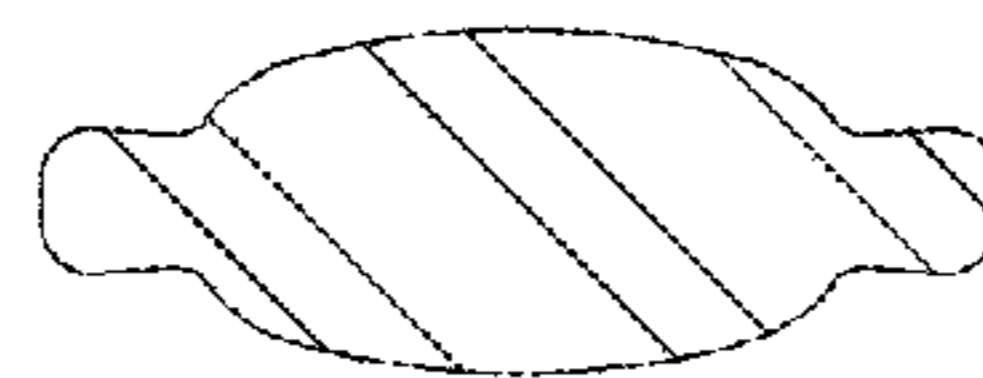


FIG. 4