



US00D729046S

(12) **United States Design Patent**  
**Paik et al.**

(10) **Patent No.:** **US D729,046 S**

(45) **Date of Patent:** **\*\* May 12, 2015**

(54) **HOOK FOR TENT**

(56) **References Cited**

(71) Applicant: **Woojin Plastic Co., Ltd.**, Guri-si,  
Gyeonggi-do (KR)

(72) Inventors: **Jisook Paik**, Seoul (KR); **Nan Hee Paik**,  
Seoul (KR); **Ji Hye Paik**, Seoul (KR); **Ji**  
**Won Son**, Seoul (KR)

(73) Assignee: **Woojin Plastic Co. Ltd.**, Guri-si,  
Gyeonggi-do (KR)

(\*\*) Term: **14 Years**

(21) Appl. No.: **29/477,782**

(22) Filed: **Dec. 26, 2013**

(30) **Foreign Application Priority Data**

Jul. 9, 2013 (KR) ..... 30-2013-0035167

(51) **LOC (10) Cl.** ..... **08-05**

(52) **U.S. Cl.**  
USPC ..... **D8/367**

(58) **Field of Classification Search**  
CPC ..... F16B 2/00; A63B 27/00  
USPC ..... D8/354, 349, 373, 372, 371, 367;  
D6/323; 248/301, 302, 303, 304, 339,  
248/205.3

See application file for complete search history.

U.S. PATENT DOCUMENTS

D189,487	S	*	12/1960	Gale	.....	D8/367
D199,060	S	*	9/1964	Gordon	.....	D8/367
7,594,636	B2	*	9/2009	Wong	.....	248/497
D614,995	S	*	5/2010	Pontaoe	.....	D11/212
D646,557	S	*	10/2011	Chan	.....	D8/367
8,113,476	B2	*	2/2012	Serio	.....	248/308
D670,601	S	*	11/2012	Paik et al.	.....	D11/218
8,387,217	B1	*	3/2013	Hinds et al.	.....	24/265 H
D682,663	S	*	5/2013	Evon	.....	D8/367
D688,118	S	*	8/2013	Hobson	.....	D8/356
D700,829	S	*	3/2014	Nanbu et al.	.....	D8/367
D719,819	S	*	12/2014	Goodman et al.	.....	D8/372

\* cited by examiner

*Primary Examiner* — Cynthia Underwood

(74) *Attorney, Agent, or Firm* — Novick, Kim & Lee, PLLC;  
Jae Youn Kim

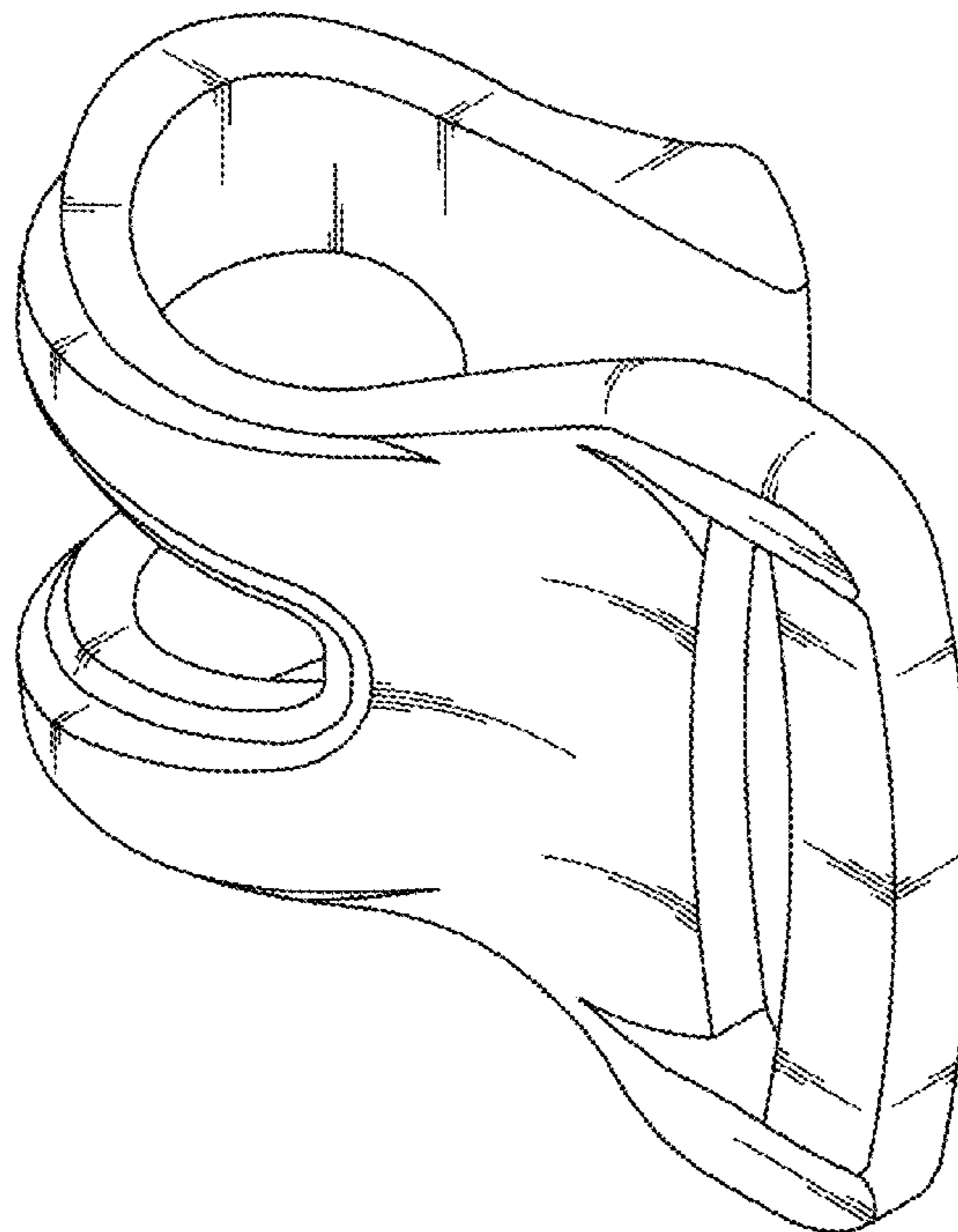
(57) **CLAIM**

We claim, the ornamental design for a hook for tent, as shown and described.

**DESCRIPTION**

FIG. 1 is a perspective view of a hook for tent showing our new design;  
FIG. 2 is a front elevational view thereof;  
FIG. 3 is a rear elevational view thereof;  
FIG. 4 is a left side elevational view thereof;  
FIG. 5 is a right side elevational view thereof;  
FIG. 6 is a top plan view thereof; and,  
FIG. 7 is a bottom plan view thereof.

**1 Claim, 4 Drawing Sheets**



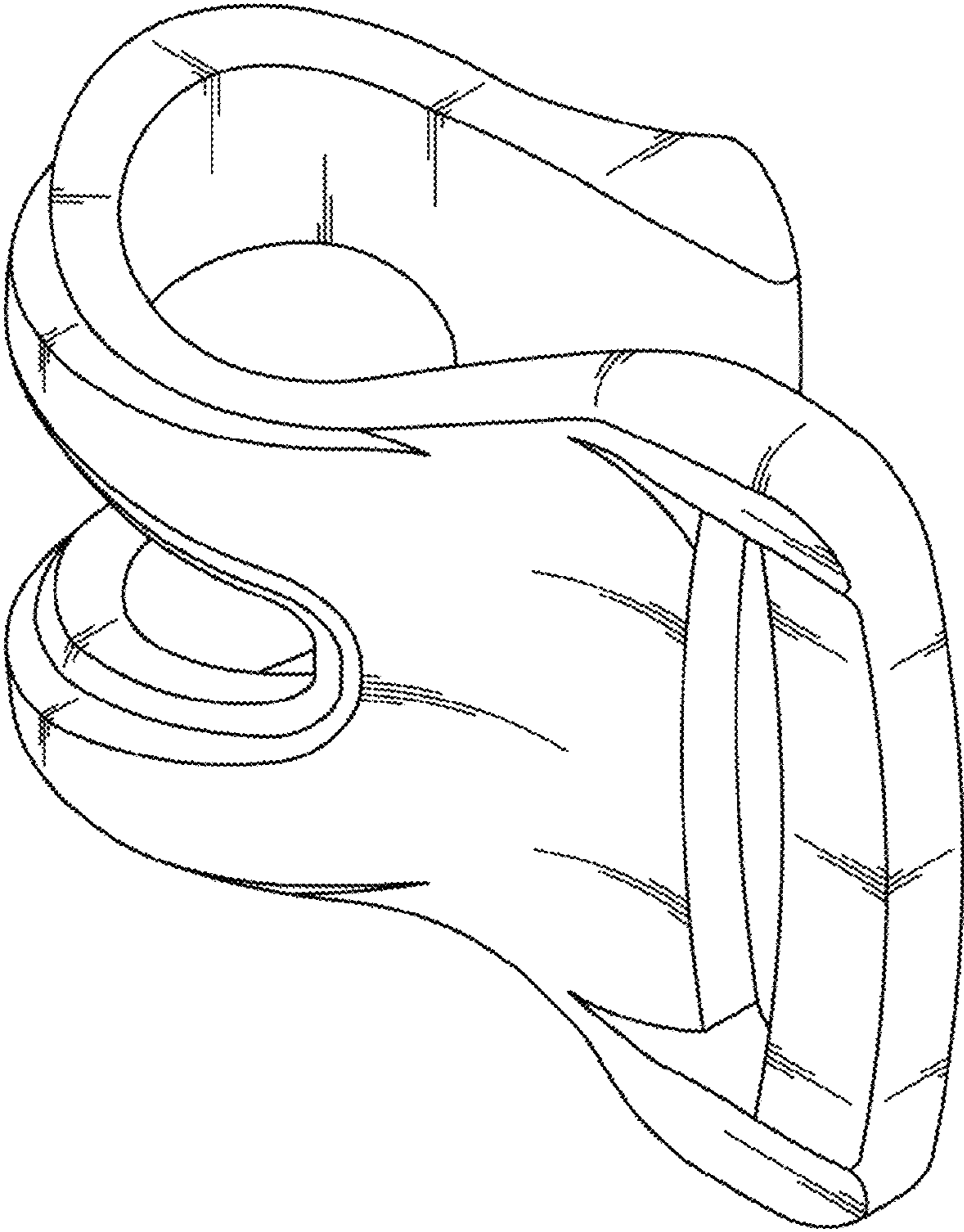


FIG.1

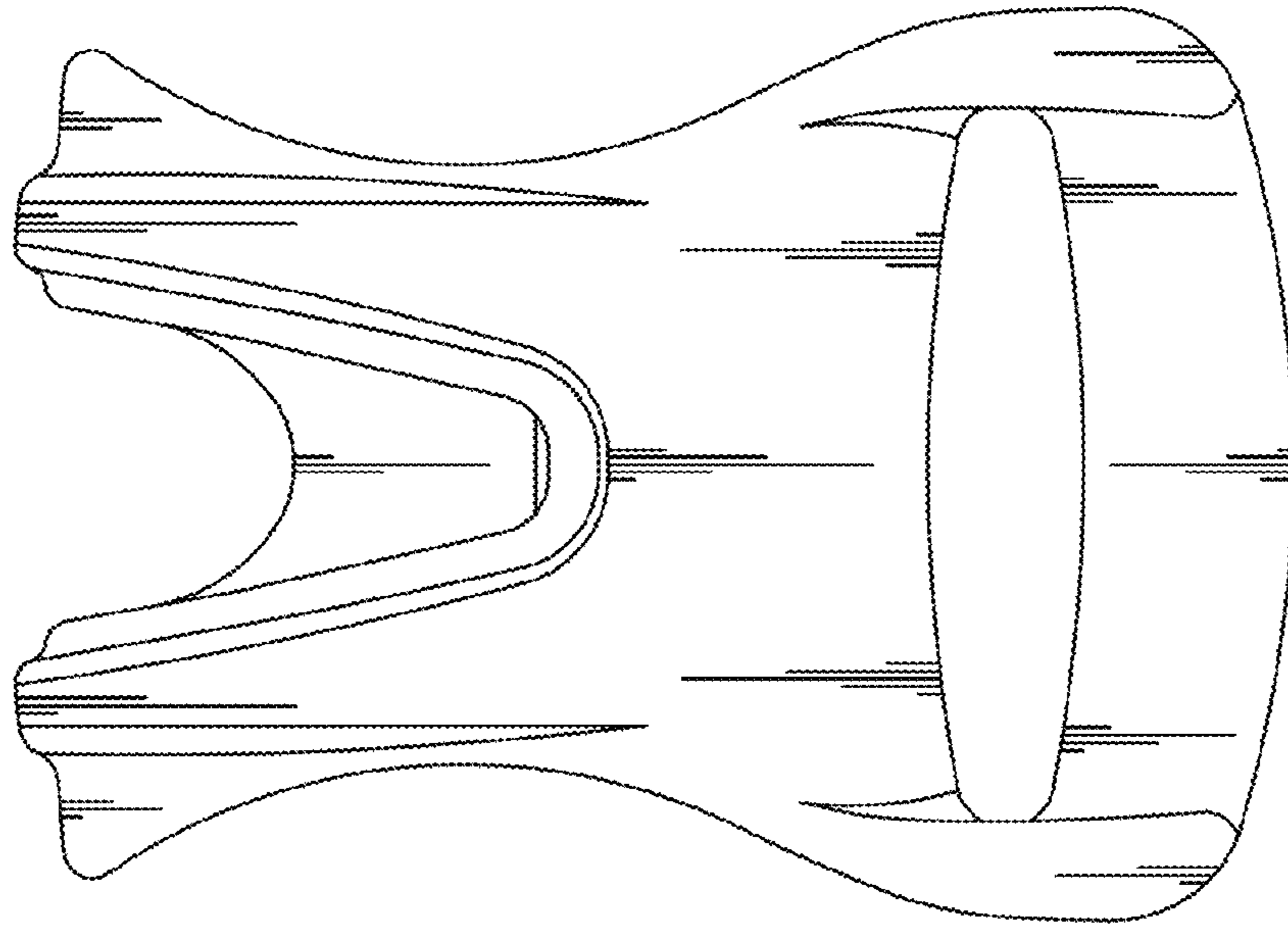


FIG.2

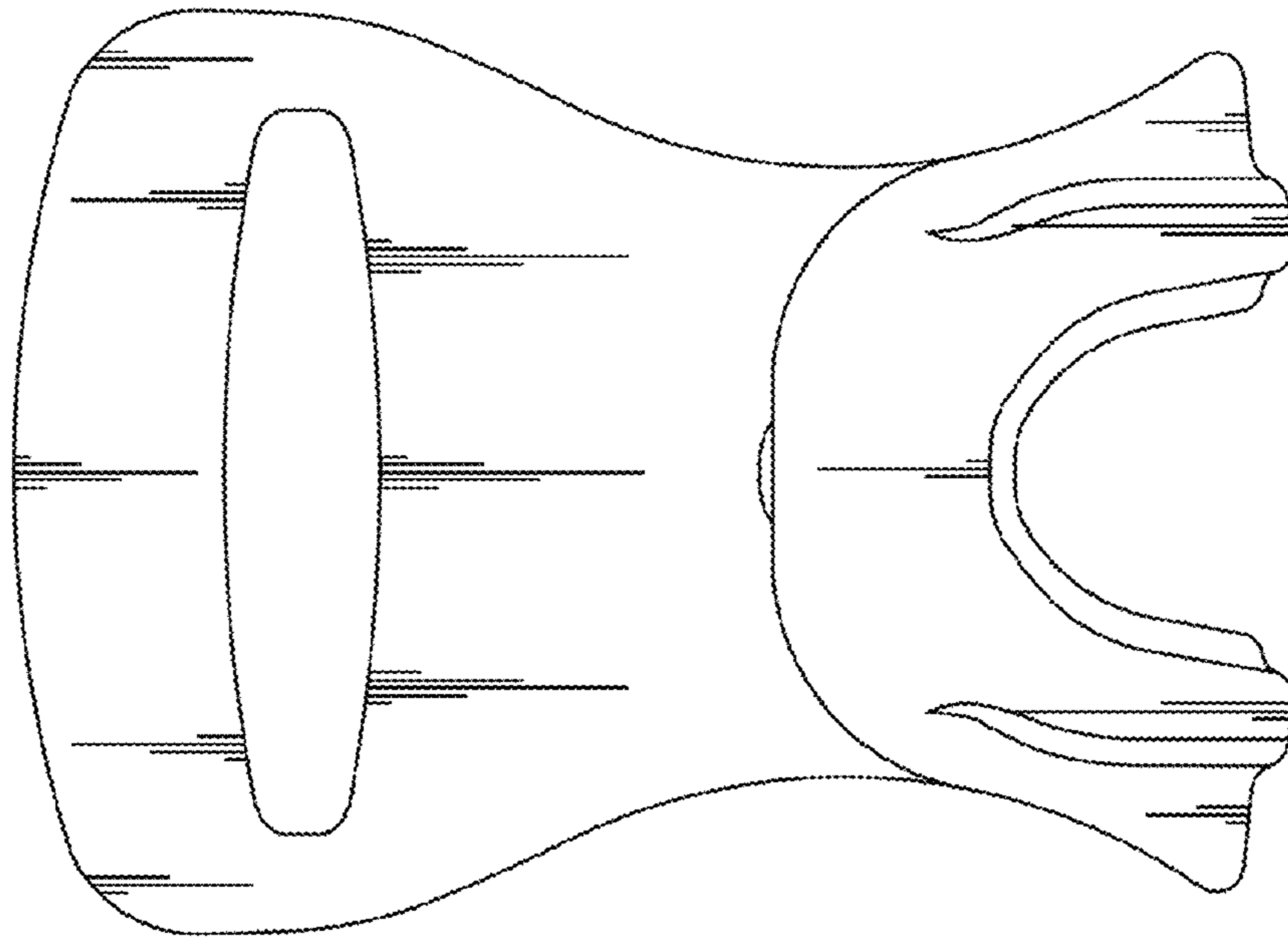


FIG.3

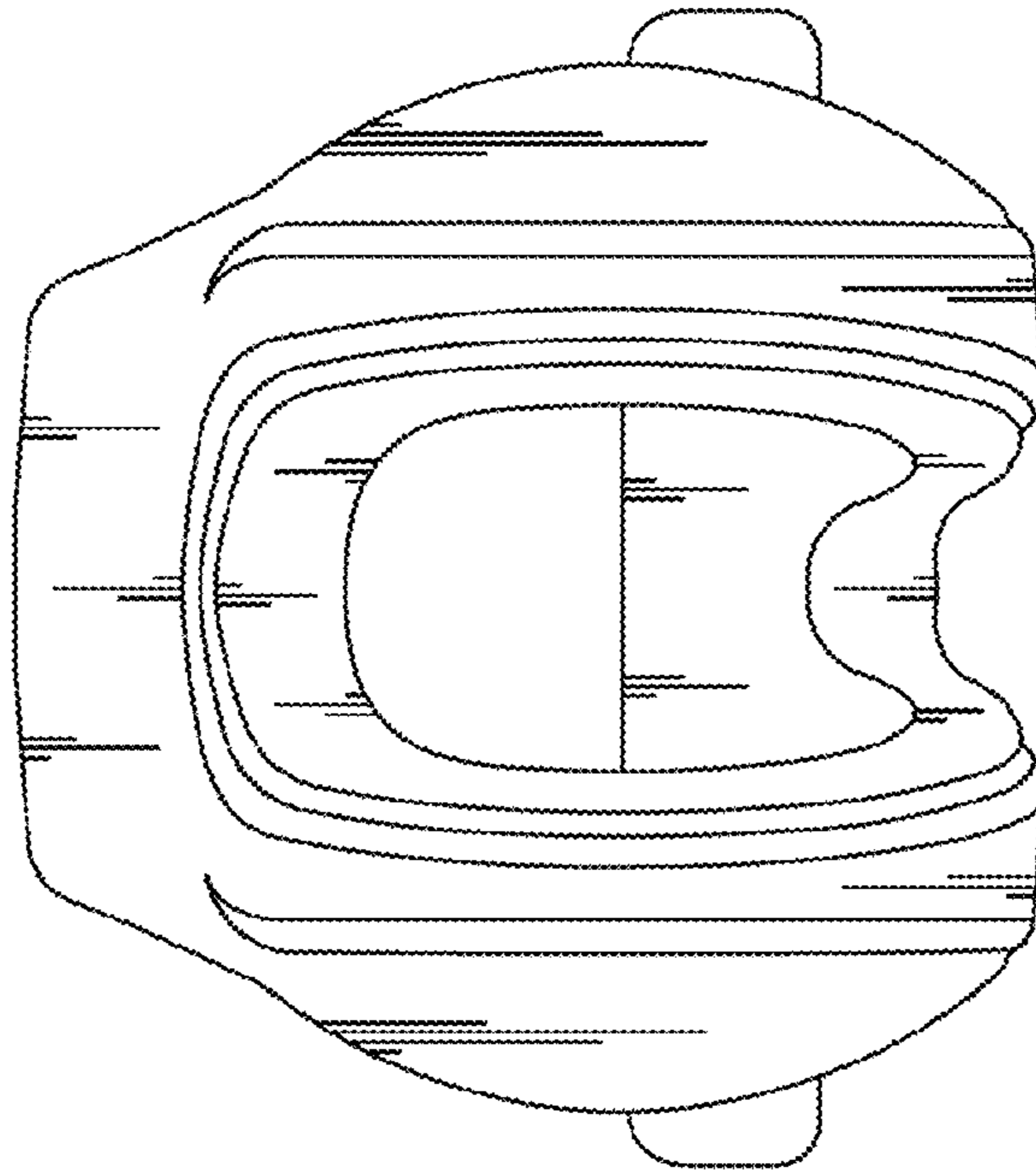


FIG.4

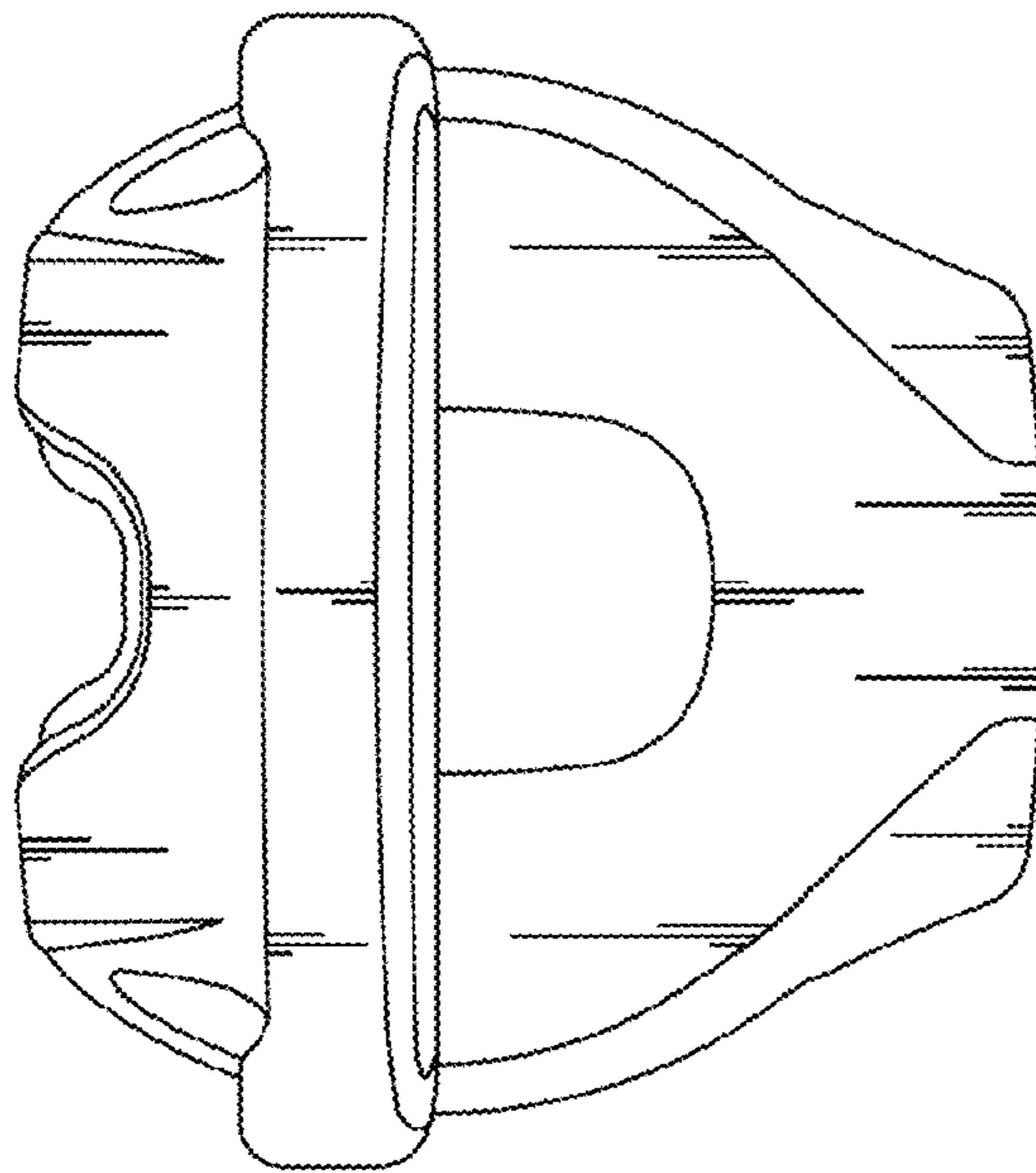


FIG.5

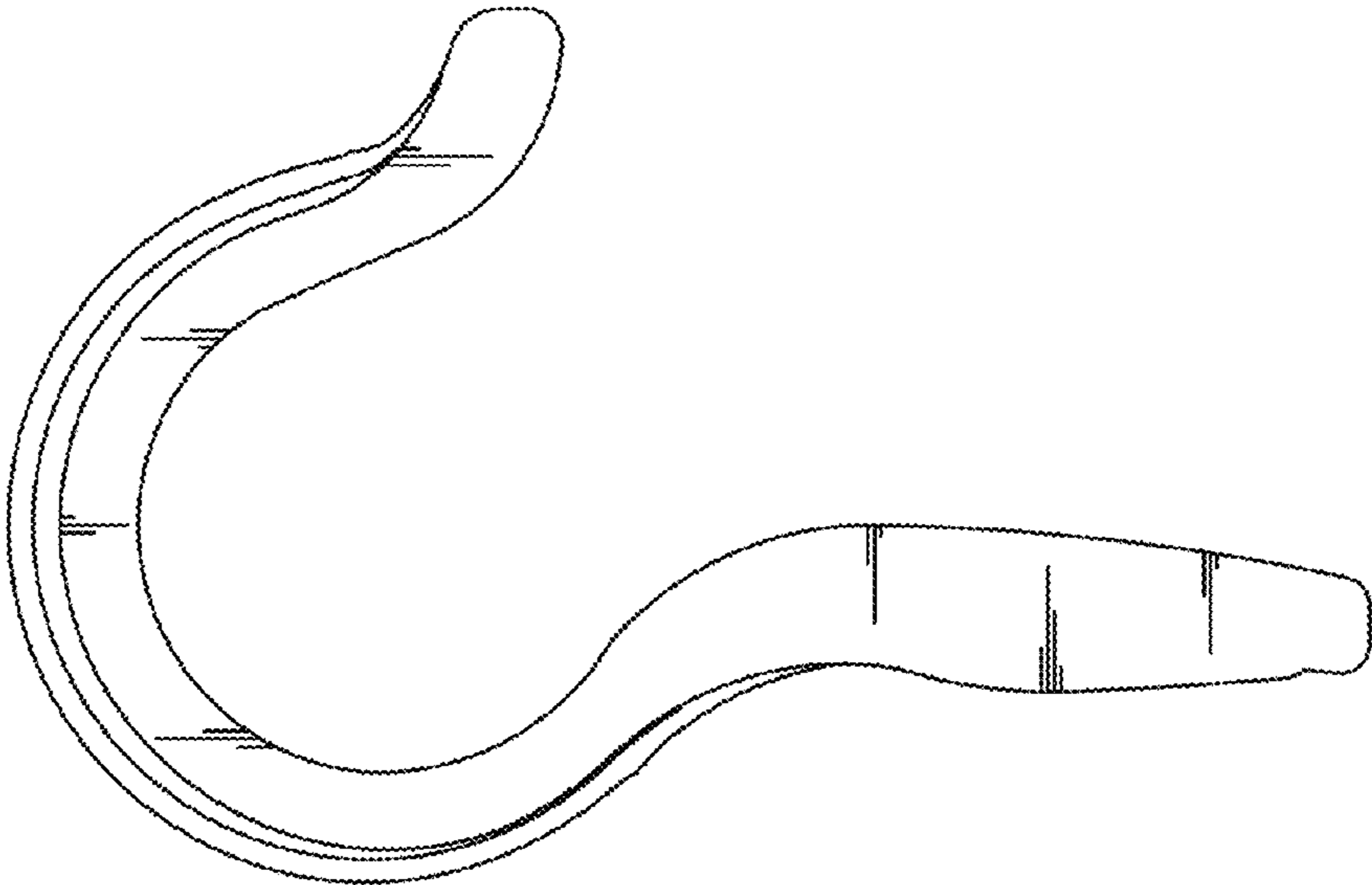


FIG. 6

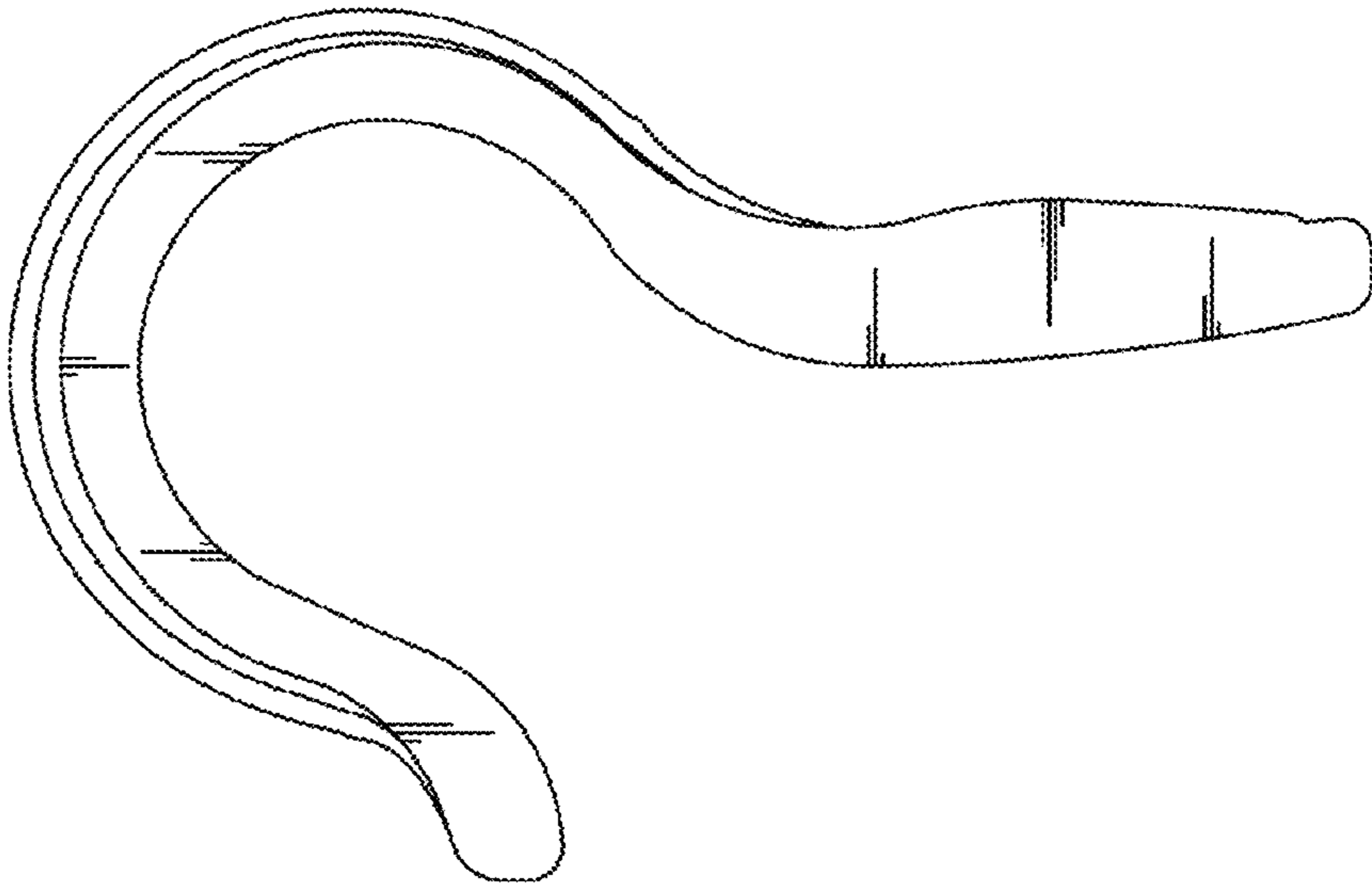


FIG. 7