



US00D729044S

(12) **United States Design Patent**  
**Asai et al.**

(10) **Patent No.:** **US D729,044 S**

(45) **Date of Patent:** **\*\* May 12, 2015**

(54) **CLIP**

(71) Applicants: **Osamu Asai**, Aichi-ken (JP); **Norihito Itou**, Aichi-ken (JP)

(72) Inventors: **Osamu Asai**, Aichi-ken (JP); **Norihito Itou**, Aichi-ken (JP)

(73) Assignee: **Daiwa Kasei Kogyo Kabushiki Kaisha**, Okazaki-Shi, Aichi-Ken (JP)

(\*\*) Term: **14 Years**

(21) Appl. No.: **29/470,879**

(22) Filed: **Oct. 25, 2013**

(30) **Foreign Application Priority Data**

Apr. 26, 2013 (JP) ..... 2013-9502  
Apr. 26, 2013 (JP) ..... 2013-9503  
Oct. 11, 2013 (JP) ..... 2013-23799

(51) **LOC (10) Cl.** ..... **08-05**

(52) **U.S. Cl.**  
USPC ..... **D8/356**

(58) **Field of Classification Search**  
USPC ..... D8/356, 354, 349, 499, 383, 395, 396;  
439/207, 208, 209, 210, 211, 445, 446,  
439/447; 248/68.1, 49, 74.4; 385/59, 137;  
604/179, 174, 93.01, 48, 19  
See application file for complete search history.

(56) **References Cited**

**U.S. PATENT DOCUMENTS**

3,118,200 A \* 1/1964 Bell ..... 24/16 PB  
D209,329 S \* 11/1967 Coderre ..... D8/382  
3,717,906 A \* 2/1973 Wells ..... 24/16 PB  
D287,097 S \* 12/1986 Nelson ..... D8/382  
D427,048 S \* 6/2000 Potter et al. .... D8/356  
D488,054 S \* 4/2004 Myers ..... D8/356  
D494,448 S \* 8/2004 Perri et al. .... D8/356  
D587,102 S \* 2/2009 Morgan ..... D8/356  
D589,338 S \* 3/2009 Baum ..... D8/395  
D612,225 S \* 3/2010 Forte ..... D8/356  
7,730,923 B2 \* 6/2010 Zhang ..... 160/38

D631,731 S \* 2/2011 Chen ..... D8/356  
D635,012 S \* 3/2011 Sempliner et al. .... D8/356  
D638,690 S \* 5/2011 Hoek ..... D8/356  
D640,527 S \* 6/2011 Hoek ..... D8/356  
D640,528 S \* 6/2011 Krietzman et al. .... D8/356  
D644,501 S \* 9/2011 Chen ..... D8/356  
D657,460 S \* 4/2012 Uhlenkamp et al. .... D24/128  
D668,934 S \* 10/2012 Warner ..... D8/356  
D698,633 S \* 2/2014 Adams ..... D8/383  
D699,480 S \* 2/2014 Dibben et al. .... D6/580

**FOREIGN PATENT DOCUMENTS**

JP 1003089 11/1997  
JP 1015514 5/1998  
JP 1204387 3/2004

\* cited by examiner

*Primary Examiner* — Cynthia Underwood

(74) *Attorney, Agent, or Firm* — Ladas & Parry LLP

(57) **CLAIM**

The ornamental design for a clip, as shown and described.

**DESCRIPTION**

FIG. 1 is a perspective view of a clip showing our new design;  
FIG. 2 is a perspective view thereof;  
FIG. 3 is a perspective view thereof;  
FIG. 4 is a perspective view thereof;  
FIG. 5 is a front elevation view thereof;  
FIG. 6 is a rear elevation view thereof;  
FIG. 7 is a right side elevation view thereof;  
FIG. 8 is a left side elevation view thereof;  
FIG. 9 is a top plan view thereof;  
FIG. 10 is a bottom plan view thereof;  
FIG. 11 is an enlarged view of a portion indicated by arrows  
11-11 in FIG. 1 thereof;  
FIG. 12 is an enlarged view of a portion indicated by arrows  
12-12 in FIG. 2 thereof;  
FIG. 13 is an enlarged view of a portion indicated by arrows  
13-13 in FIG. 3 thereof;  
FIG. 14 is an enlarged view of a portion indicated by arrows  
14-14 in FIG. 4 thereof;  
FIG. 15 is a sectional view taken along line 15-15 in FIG. 7  
thereof;

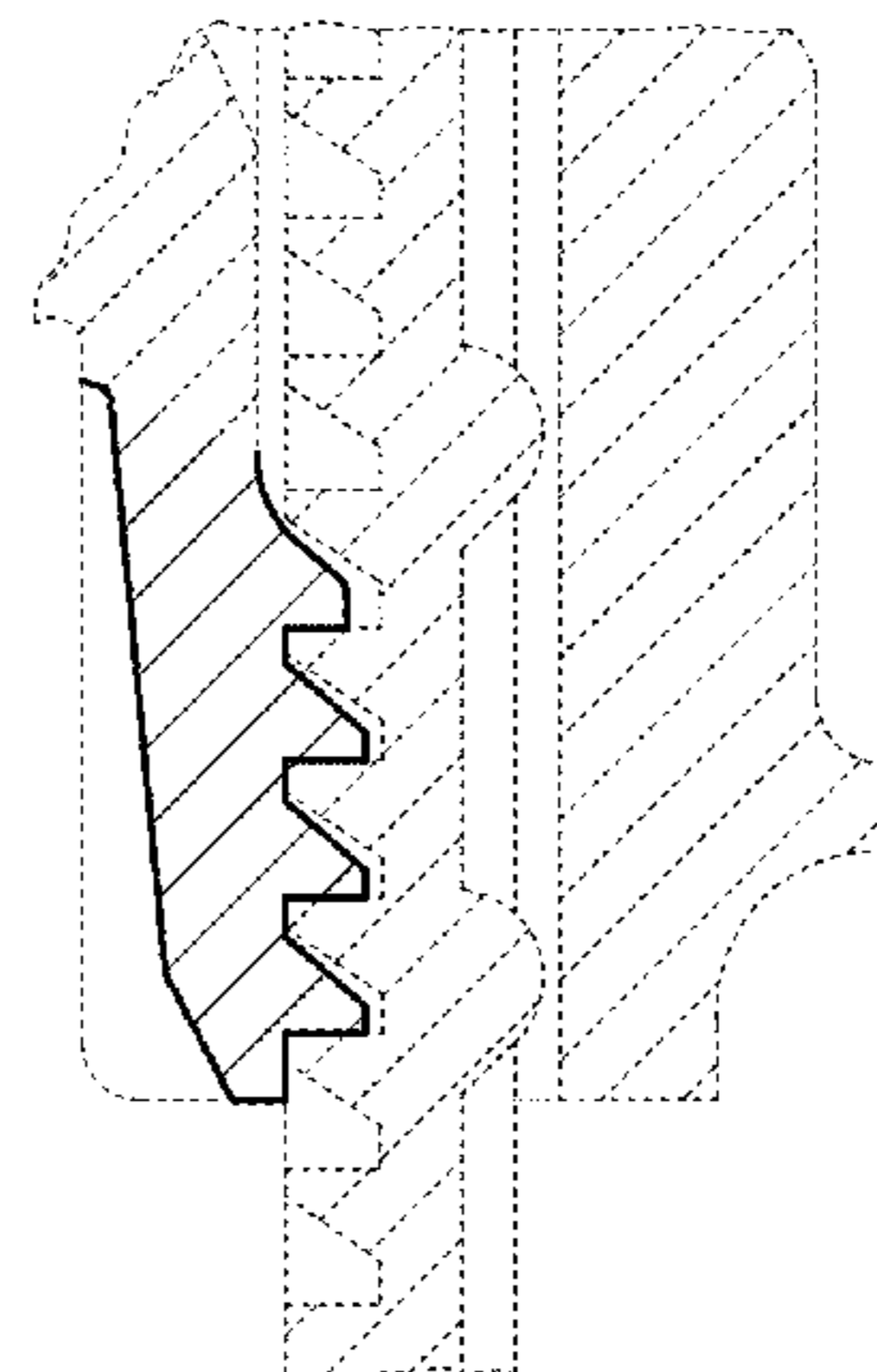
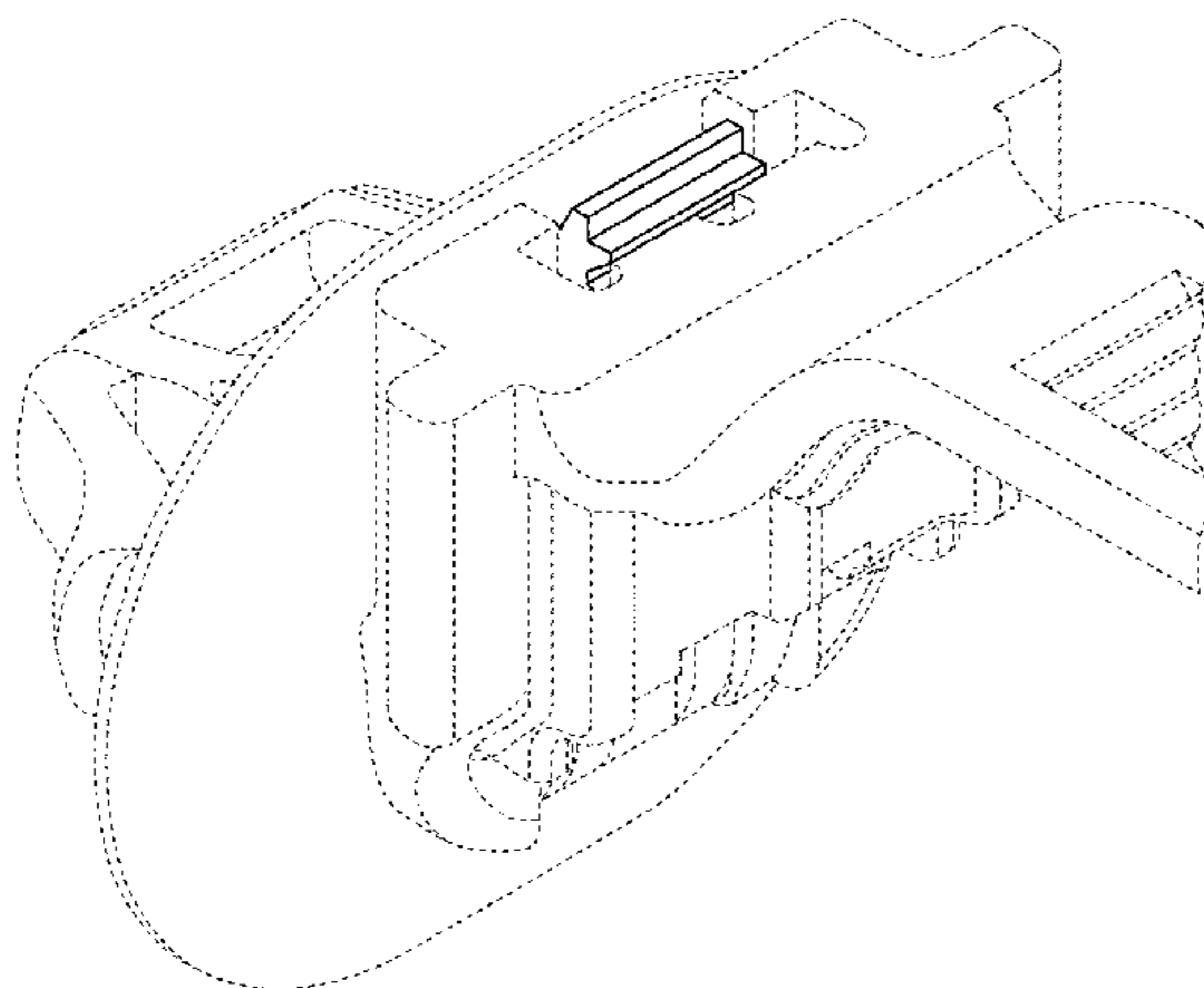


FIG. 16 is an enlarged view of a portion indicated by arrows 16-16 in FIG. 9 thereof;  
FIG. 17 is an enlarged view of a portion indicated by arrows 17-17 in FIG. 10 thereof;  
FIG. 18 is an enlarged view of a portion indicated by arrows 18-18 in FIG. 15 thereof;  
FIG. 19 is a sectional view thereof showing the environment in which the clip is used.  
FIG. 20 is a perspective view of a second embodiment of the clip shown in FIG. 1;  
FIG. 21 is a perspective view thereof;  
FIG. 22 is a perspective view thereof;  
FIG. 23 is a perspective view thereof;  
FIG. 24 is a front elevation view thereof;  
FIG. 25 is a rear elevation view thereof;  
FIG. 26 is a right side elevation view thereof;  
FIG. 27 is a left side elevation view thereof;  
FIG. 28 is a top plan view thereof;  
FIG. 29 is a bottom plan view thereof;  
FIG. 30 is an enlarged view of a portion indicated by arrows 30-30 in FIG. 20 thereof;  
FIG. 31 is an enlarged view of a portion indicated by arrows 31-31 in FIG. 21 thereof;  
FIG. 32 is an enlarged view of a portion indicated by arrows 32-32 in FIG. 22 thereof;  
FIG. 33 is an enlarged view of a portion indicated by arrows 33-33 in FIG. 23 thereof;  
FIG. 34 is a sectional view taken along line 34-34 in FIG. 26 thereof;  
FIG. 35 is an enlarged view of a portion indicated by arrows 35-35 in FIG. 28 thereof;  
FIG. 36 is an enlarged view of a portion indicated by arrows 36-36 in FIG. 29 thereof;  
FIG. 37 is an enlarged view of a portion indicated by arrows 37-37 in FIG. 34 thereof;

FIG. 38 is a sectional view thereof showing the environment in which the clip is used.  
FIG. 39 is a perspective view of a third embodiment of the clip shown in FIG. 1;  
FIG. 40 is a perspective view thereof;  
FIG. 41 is a perspective view thereof;  
FIG. 42 is a perspective view thereof;  
FIG. 43 is a front elevation view thereof;  
FIG. 44 is a rear elevation view thereof;  
FIG. 45 is a right side elevation view thereof;  
FIG. 46 is a left side elevation view thereof;  
FIG. 47 is a top plan view thereof;  
FIG. 48 is a bottom plan view thereof;  
FIG. 49 is an enlarged view of a portion indicated by arrows 49-49 in FIG. 39 thereof;  
FIG. 50 is an enlarged view of a portion indicated by arrows 50-50 in FIG. 40 thereof;  
FIG. 51 is an enlarged view of a portion indicated by arrows 51-51 in FIG. 41 thereof;  
FIG. 52 is an enlarged view of a portion indicated by arrows 52-52 in FIG. 42 thereof;  
FIG. 53 is a sectional view taken along line 53-53 in FIG. 45 thereof;  
FIG. 54 is an enlarged view of a portion indicated by arrows 54-54 in FIG. 47 thereof;  
FIG. 55 is an enlarged view of a portion indicated by arrows 55-55 in FIG. 48 thereof;  
FIG. 56 is an enlarged view of a portion indicated by arrows 56-56 in FIG. 53 thereof; and,  
FIG. 57 is a sectional view thereof showing the environment in which the clip is used.  
The broken lines shown in the drawings represent unclaimed portions of the clip and form no part of the claimed design.

**1 Claim, 48 Drawing Sheets**

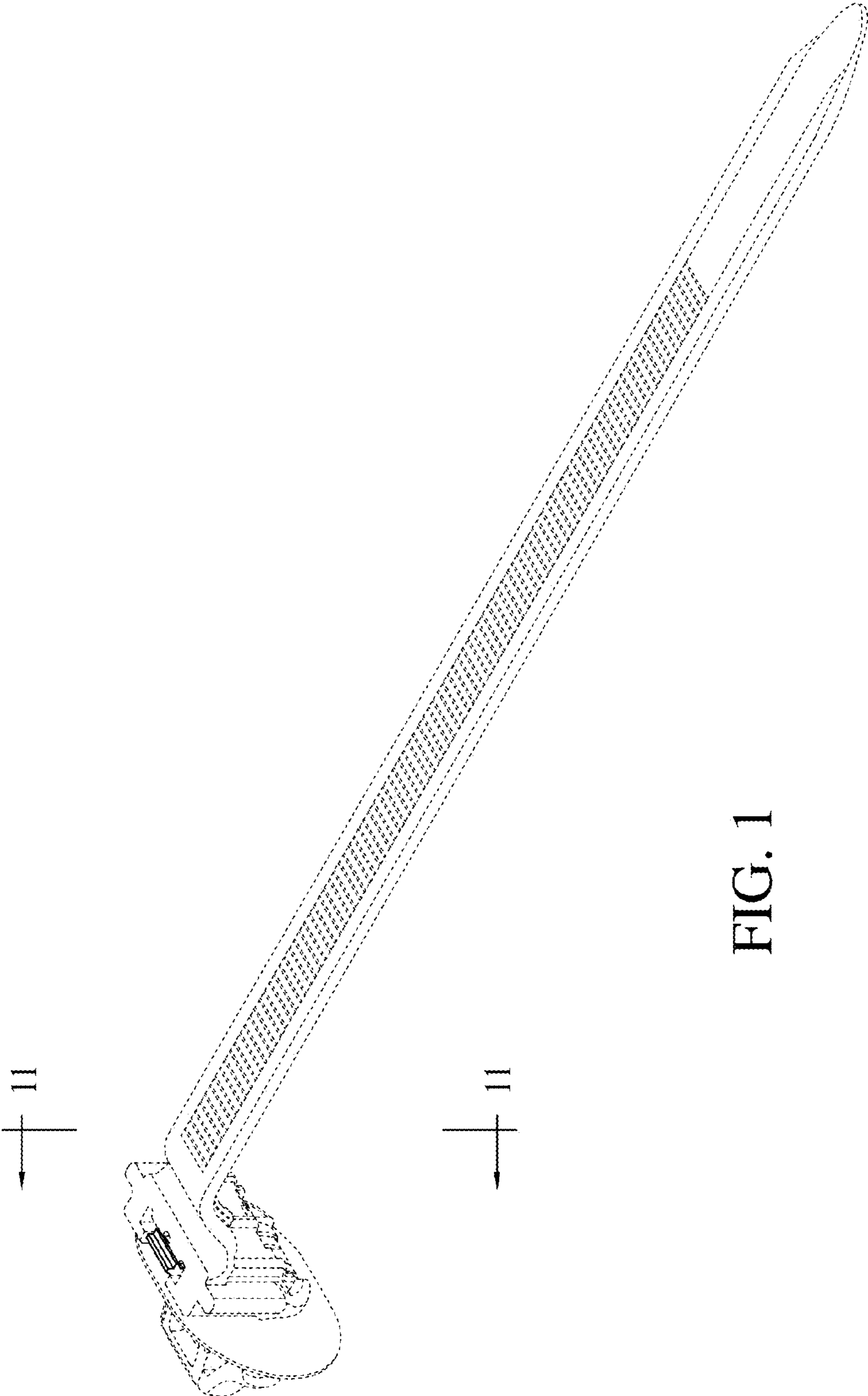


FIG. 1

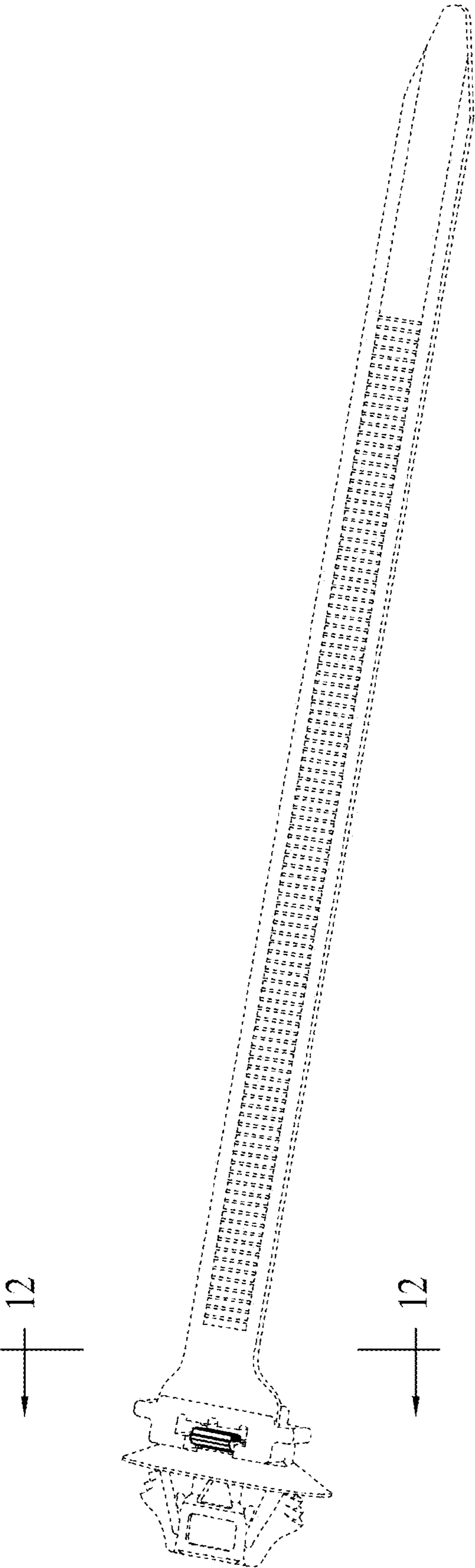


FIG. 2

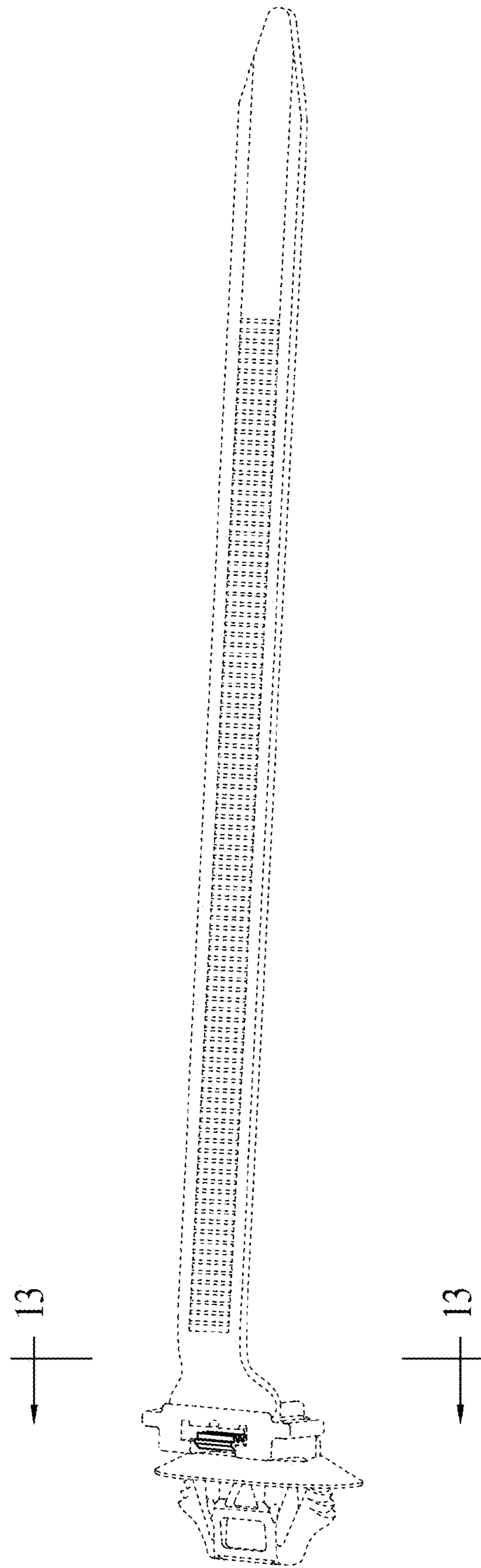


FIG. 3

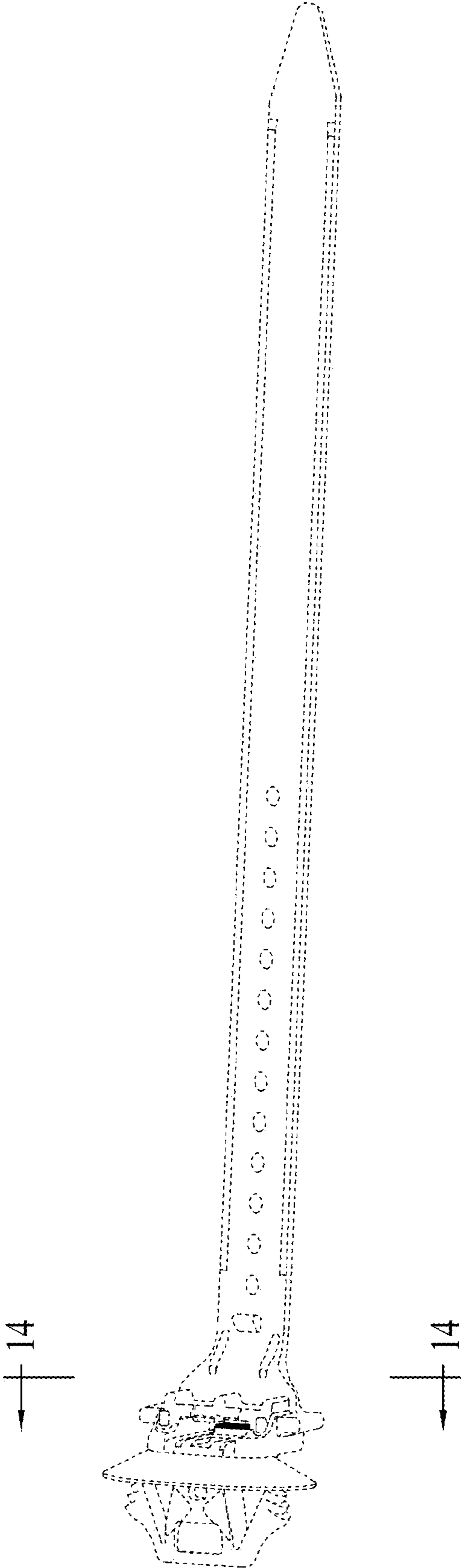


FIG. 4

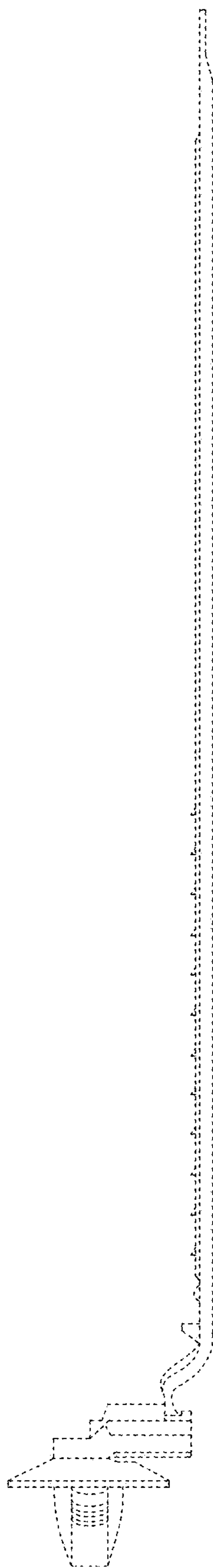


FIG. 5

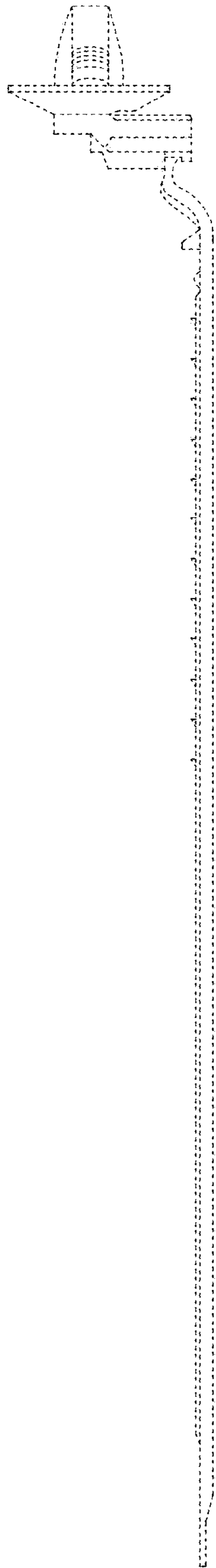


FIG. 6



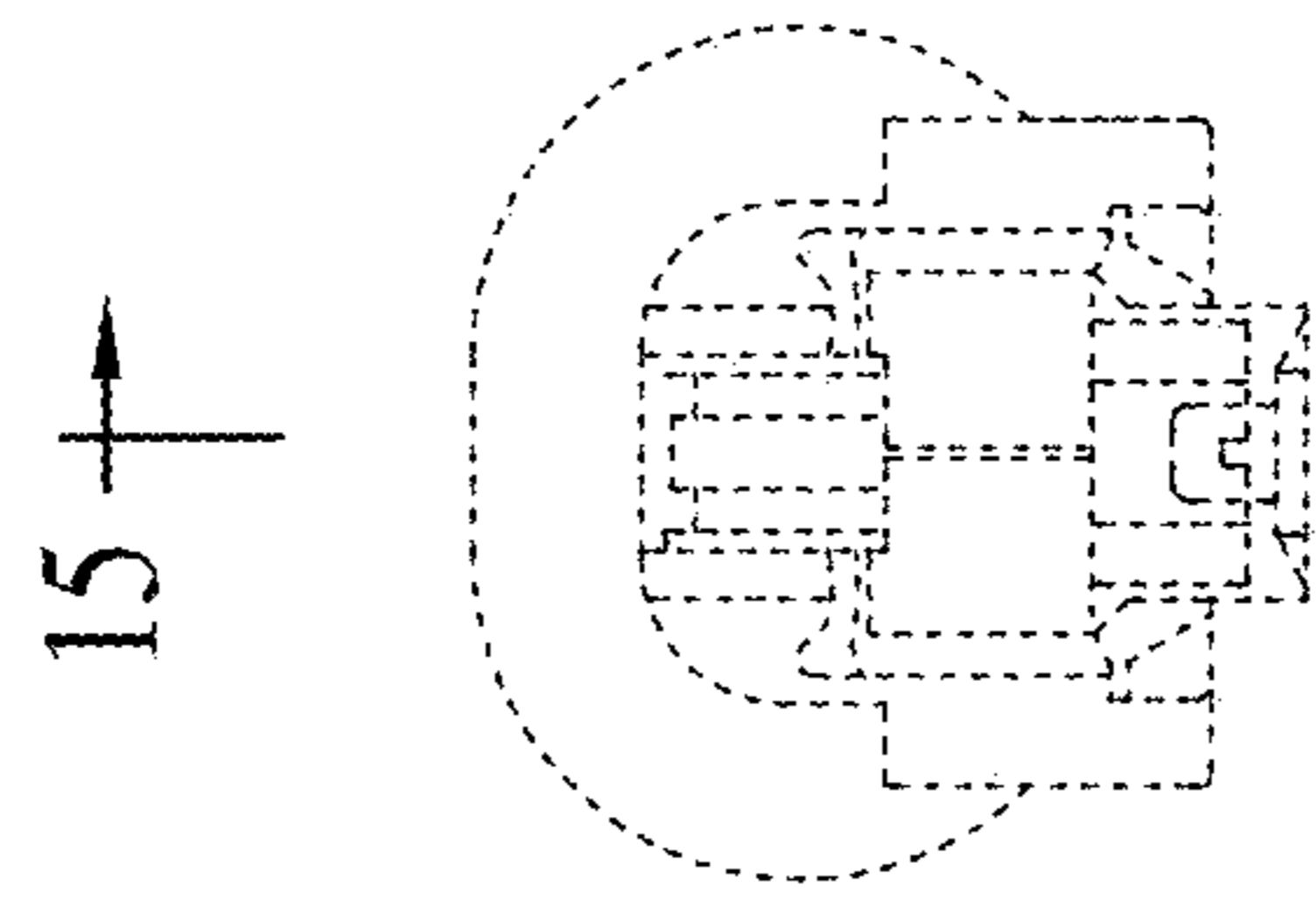


FIG. 7

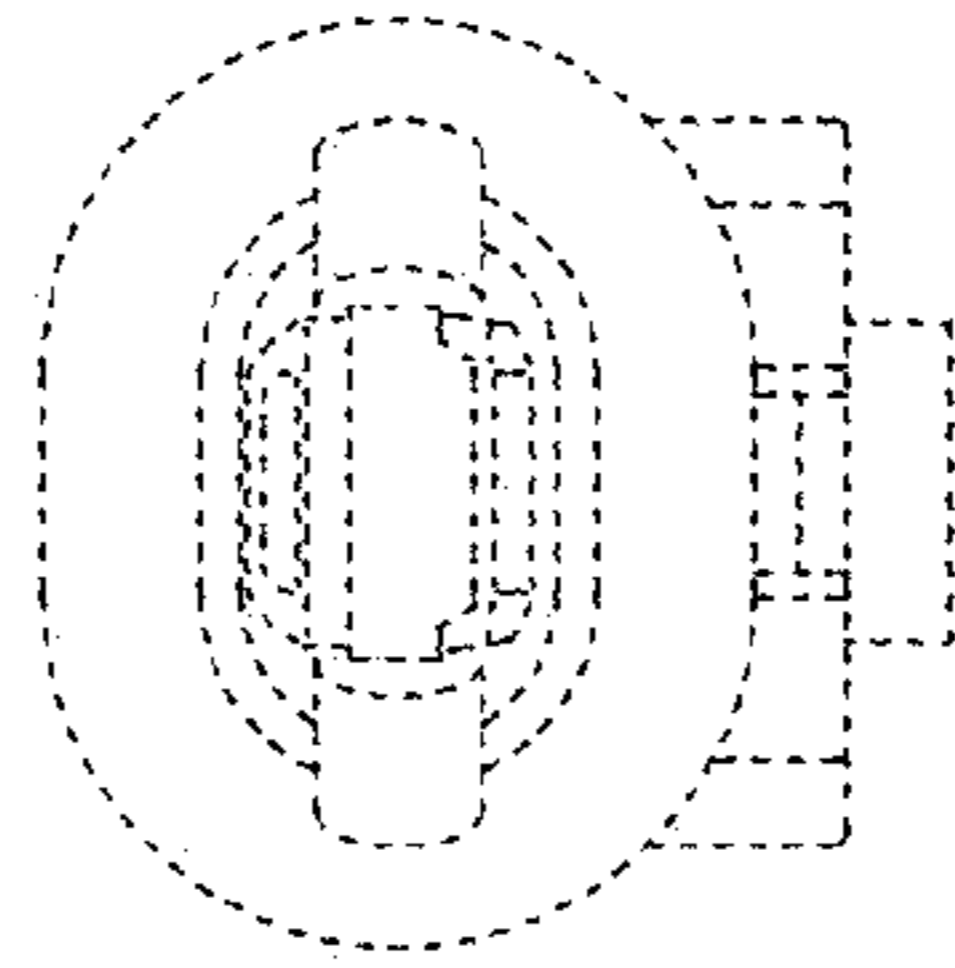


FIG. 8

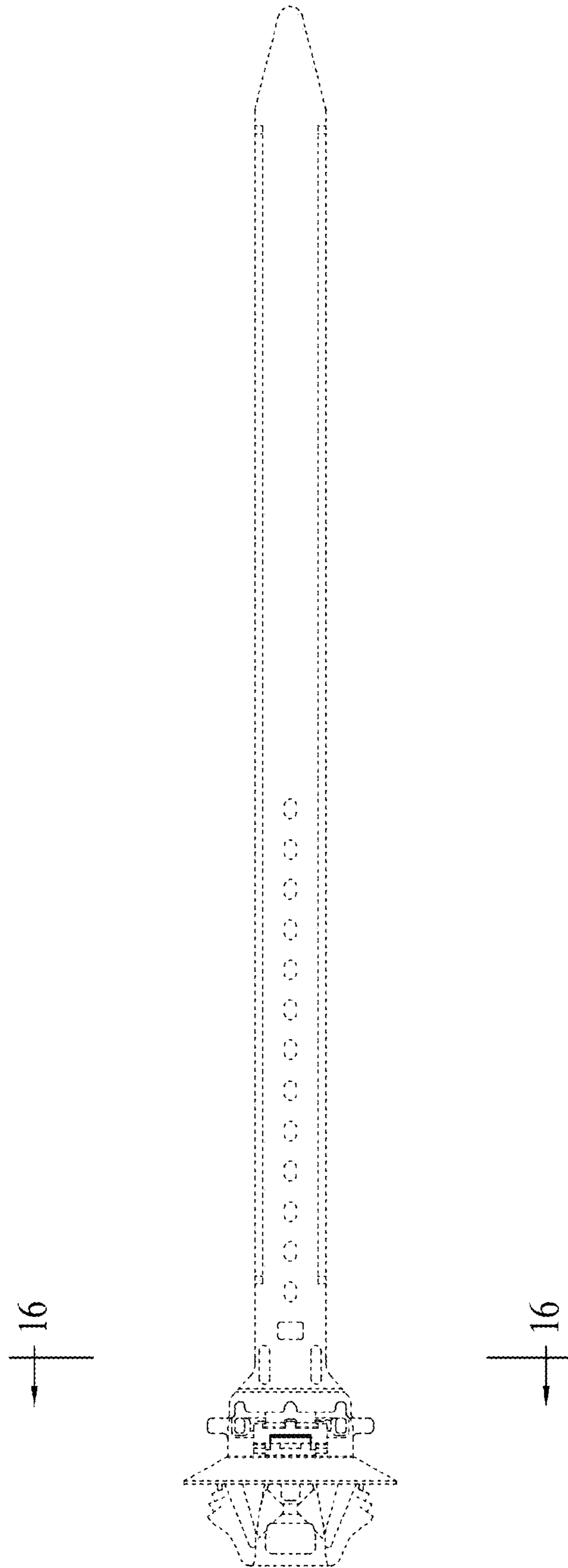


FIG. 9

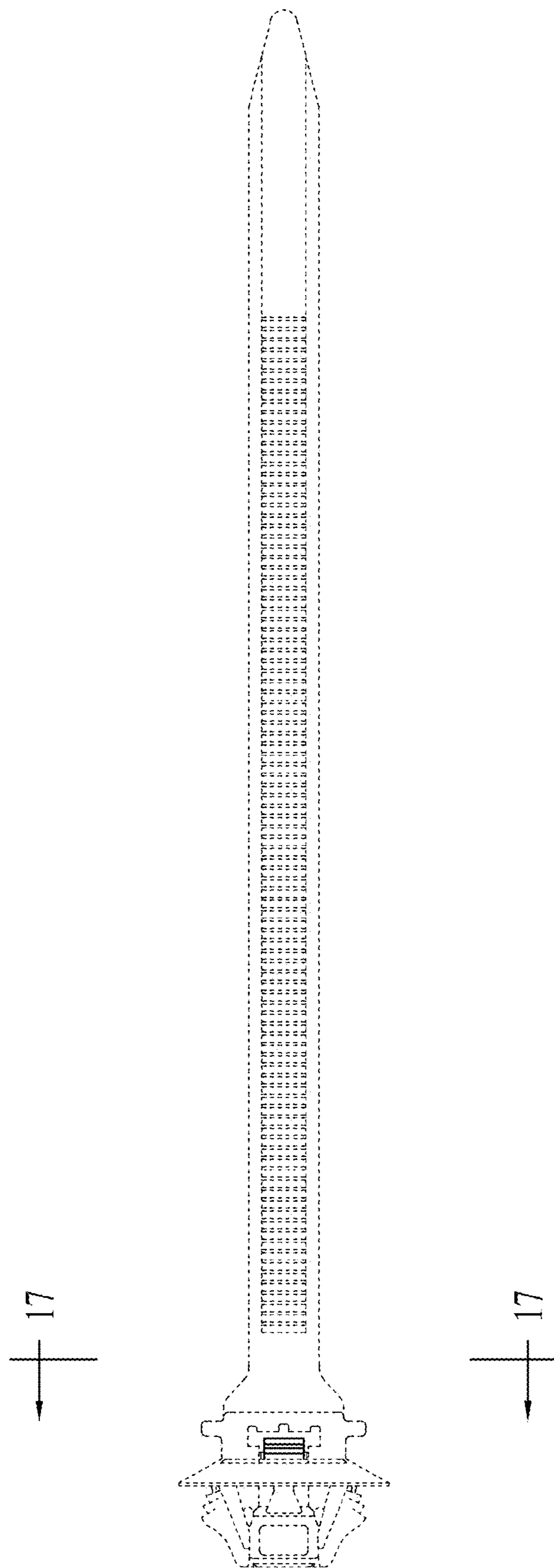


FIG. 10

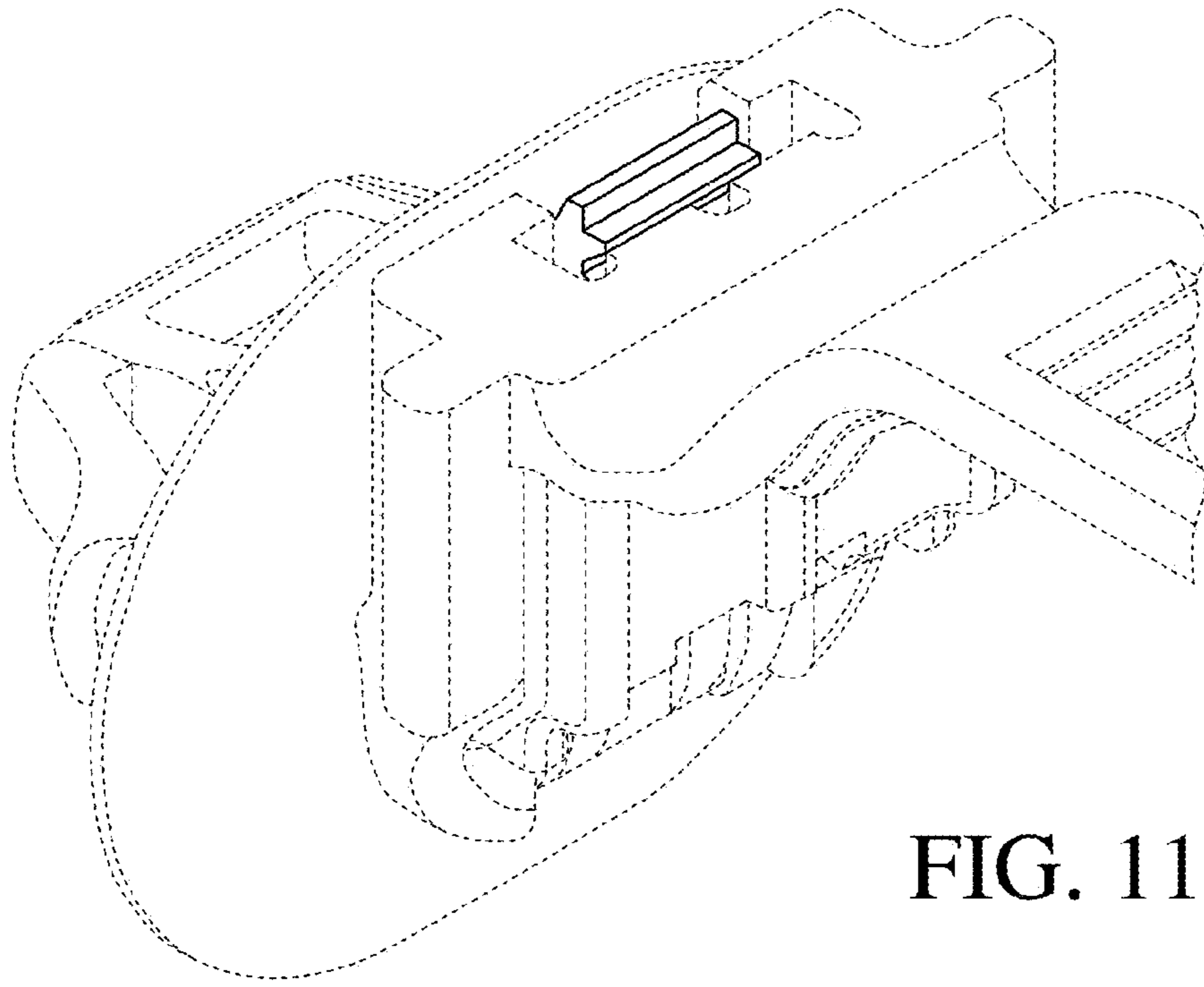


FIG. 11

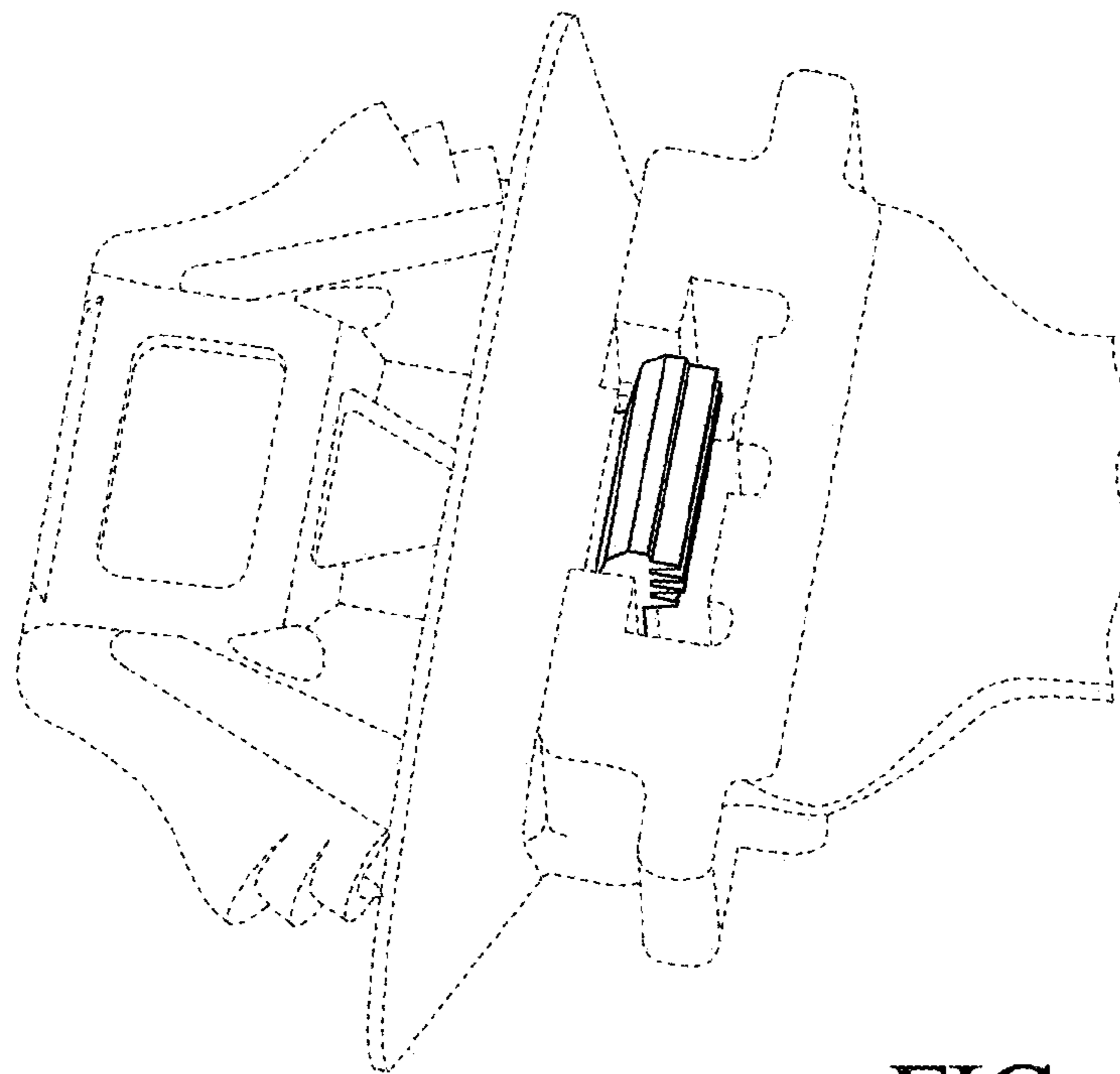


FIG. 12

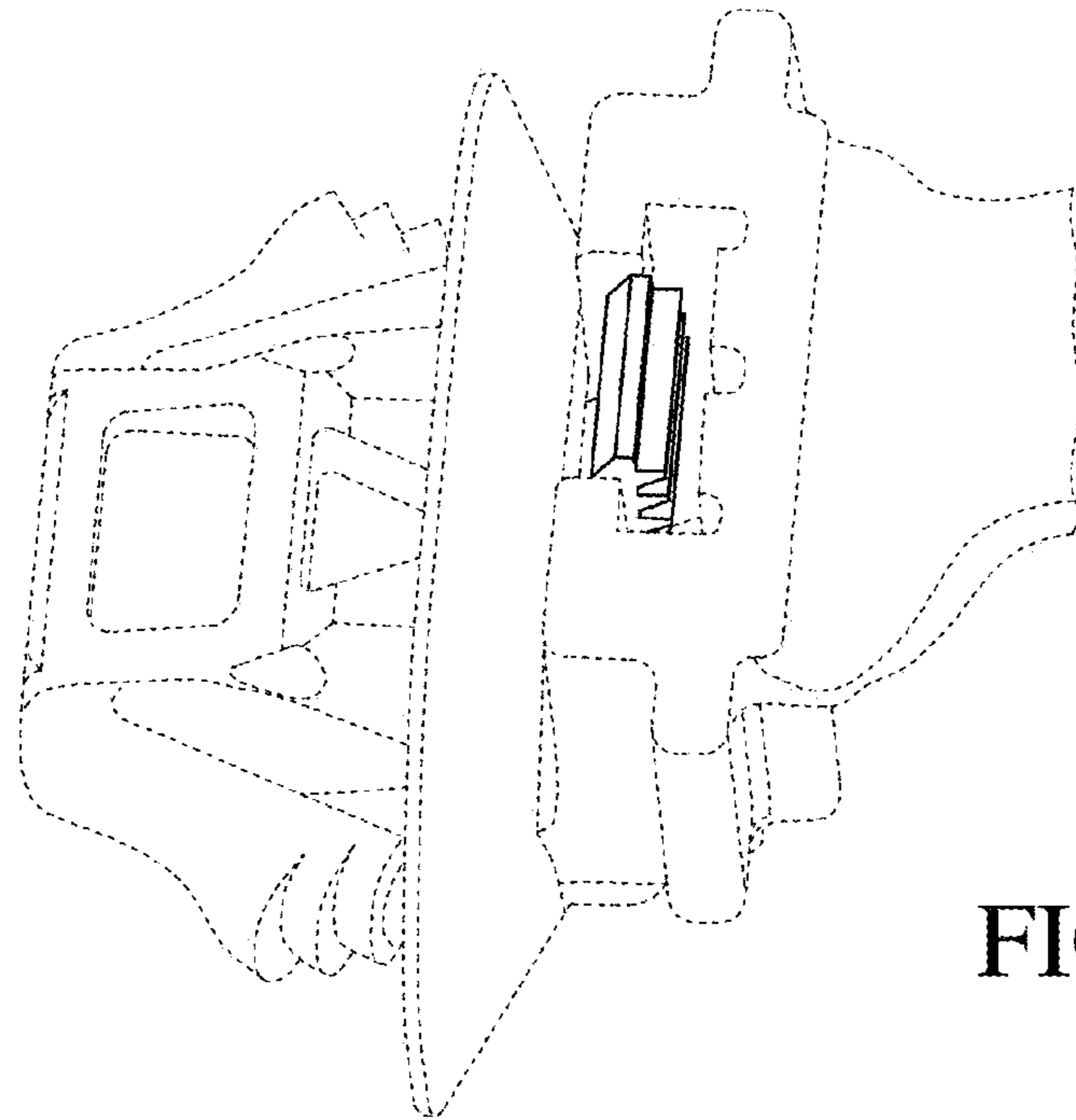


FIG. 13

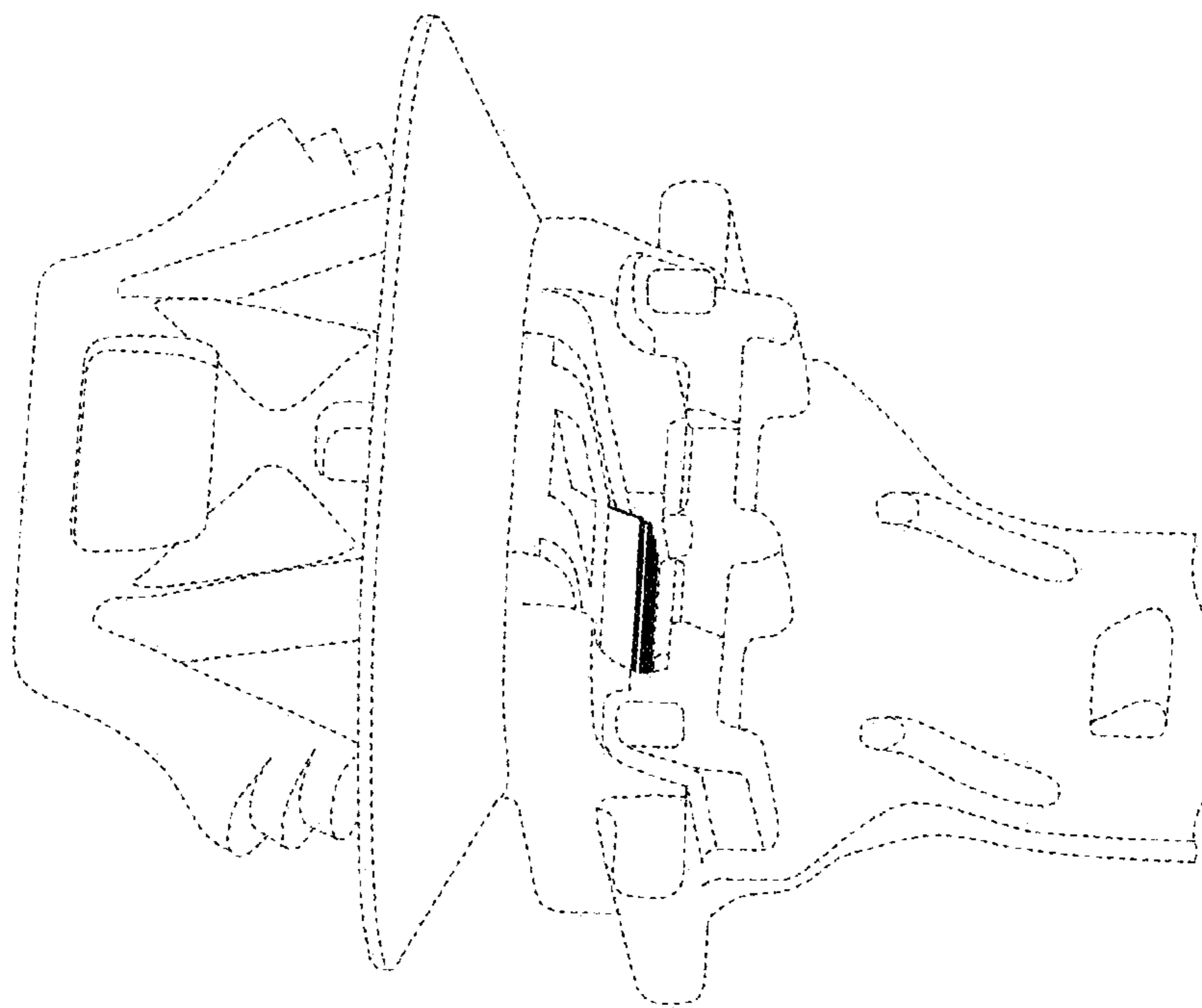


FIG. 14

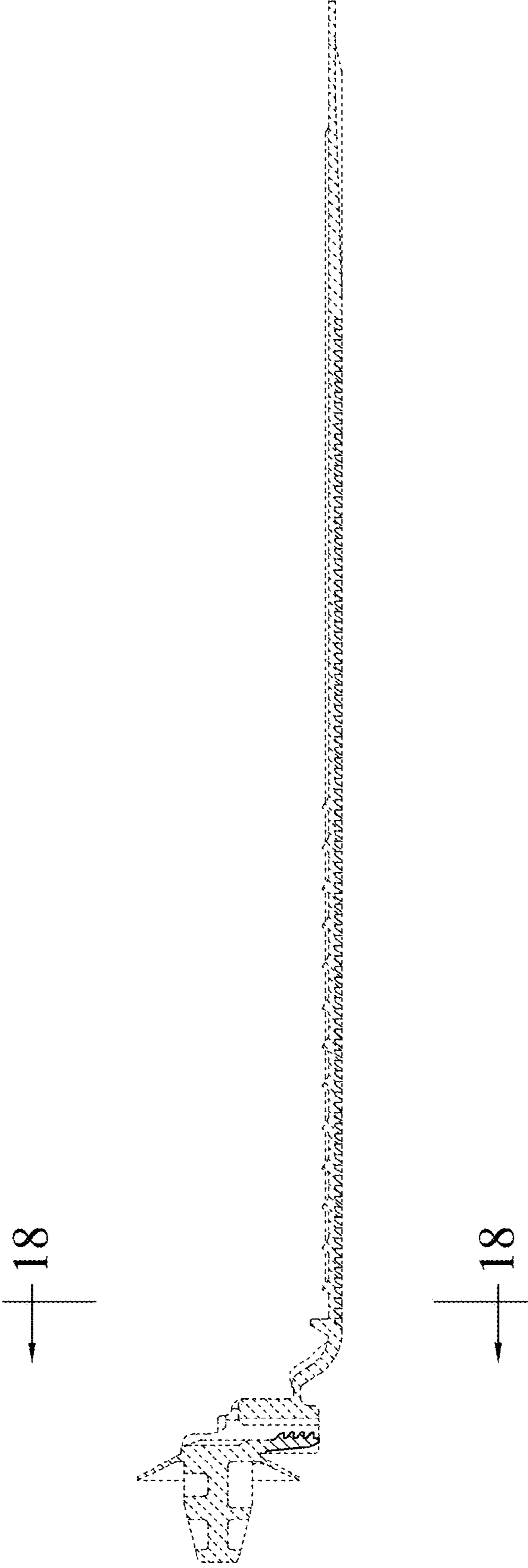


FIG. 15

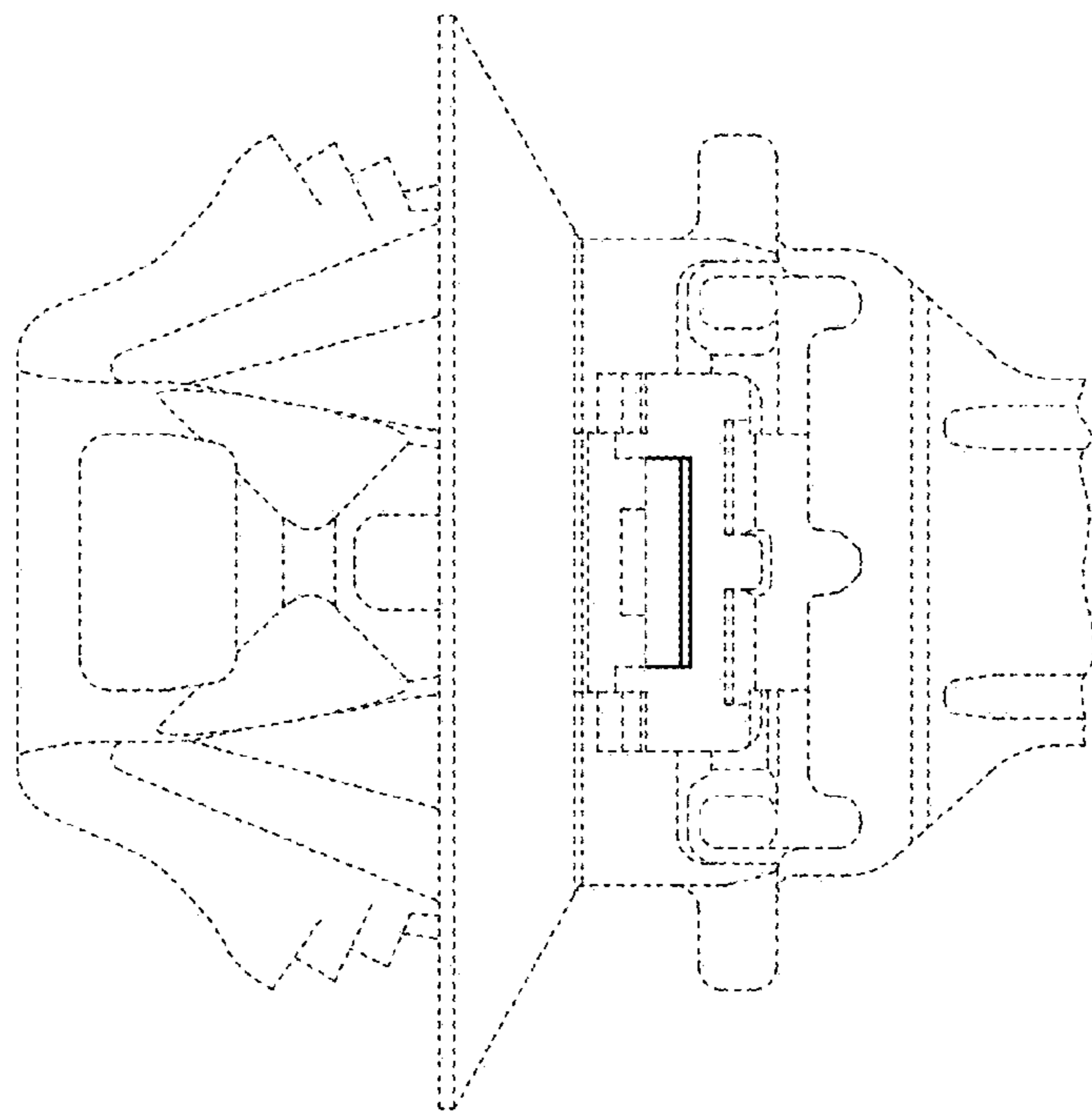


FIG. 16



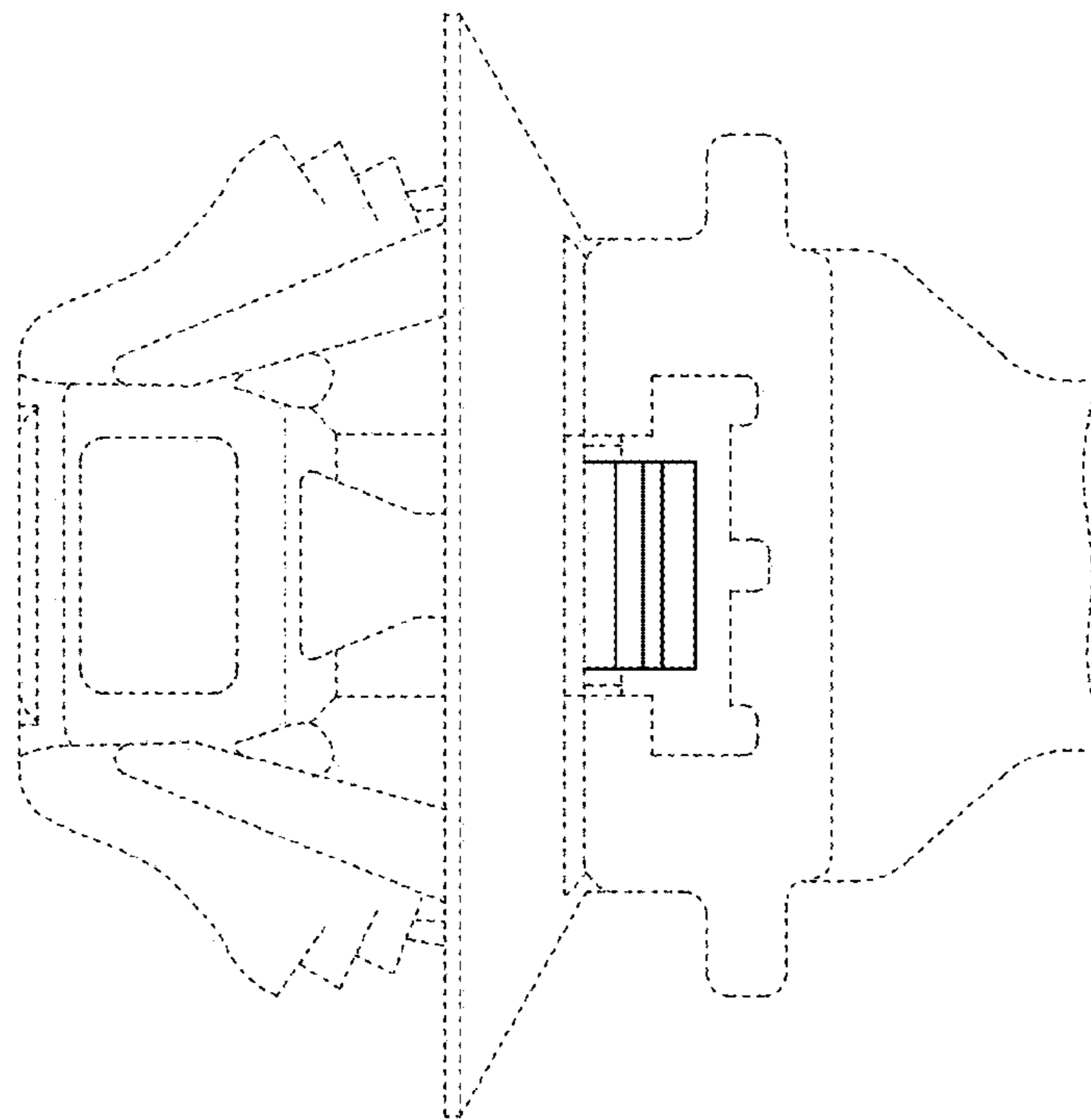


FIG. 17

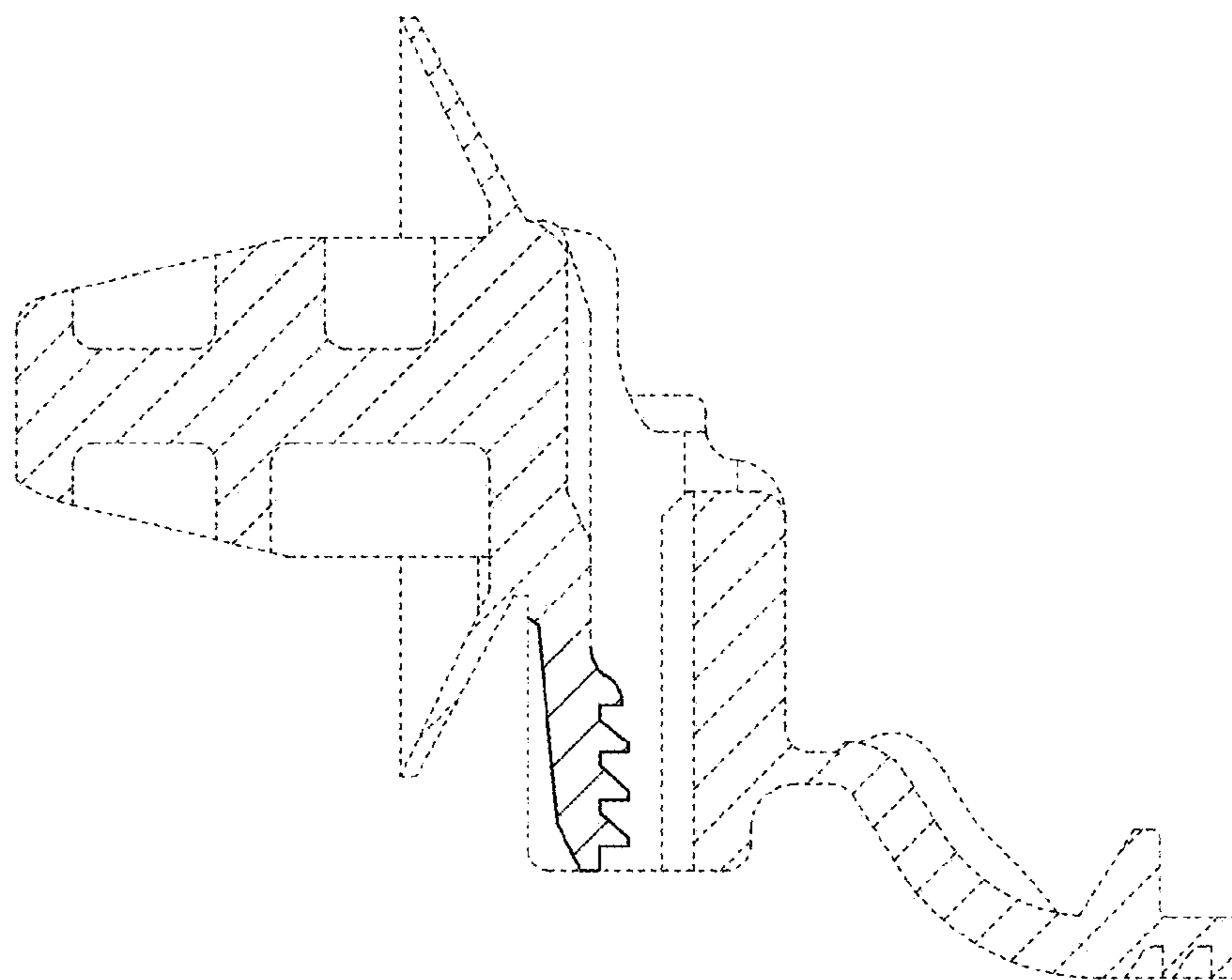


FIG. 18

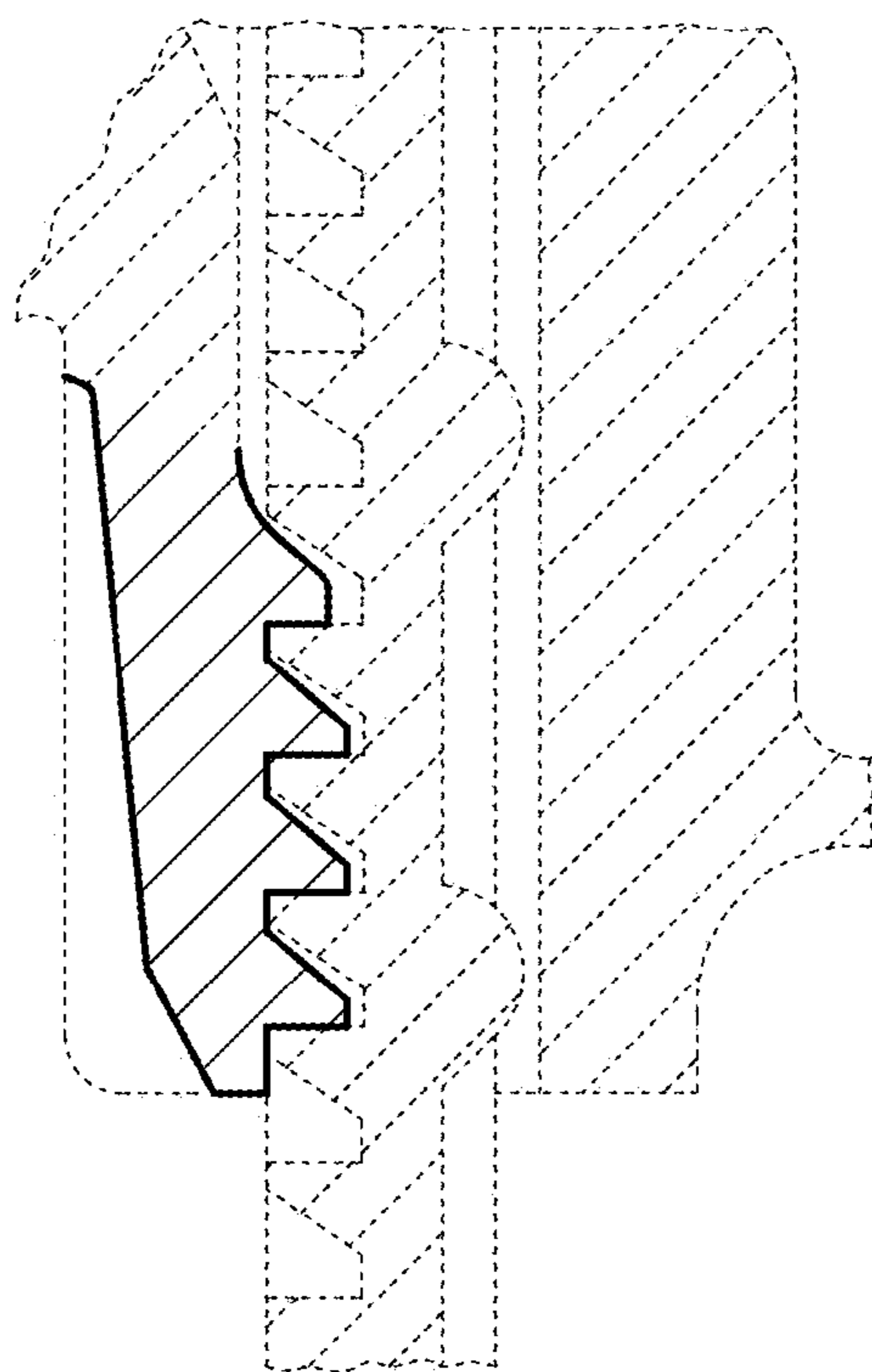


FIG. 19

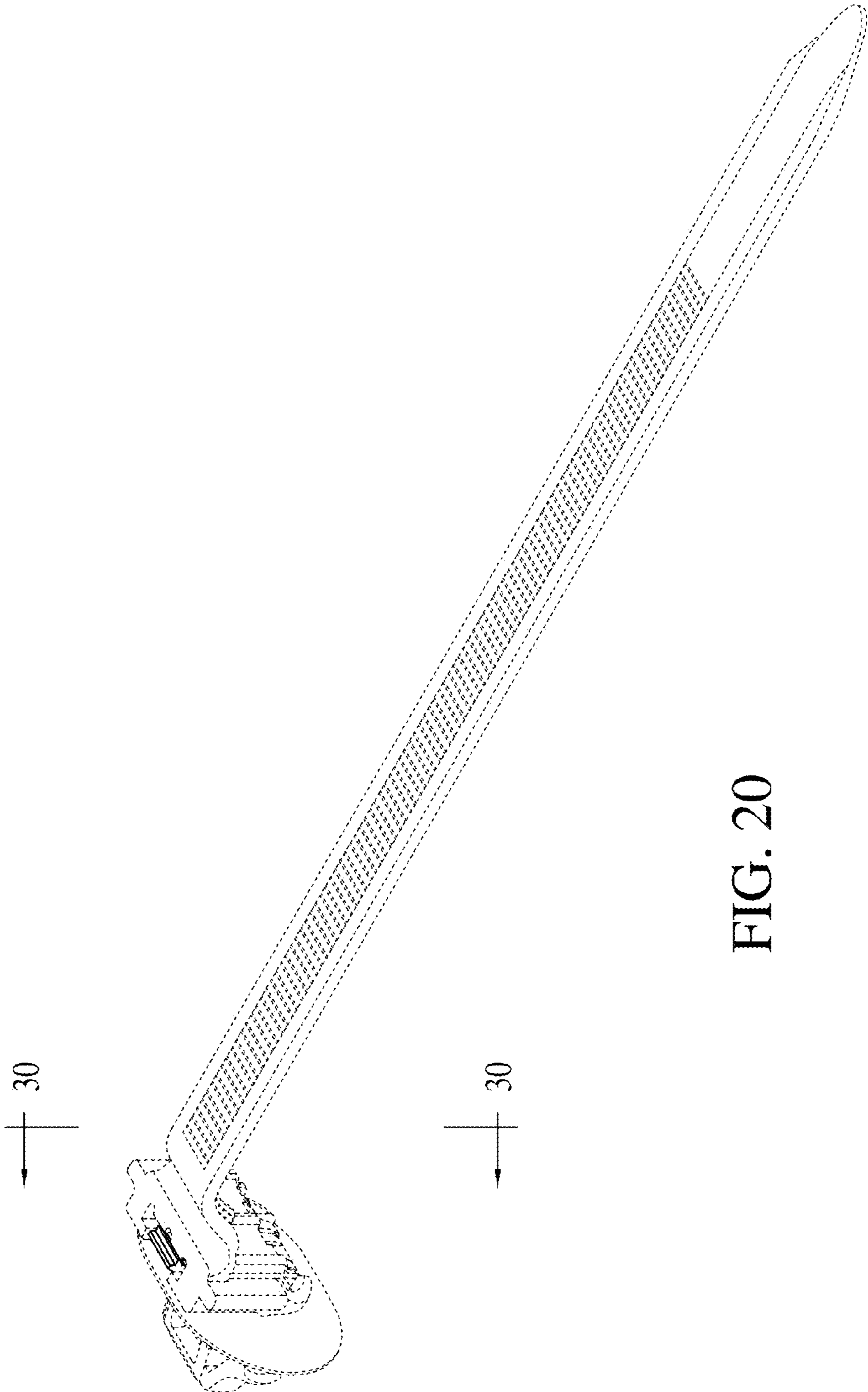


FIG. 20

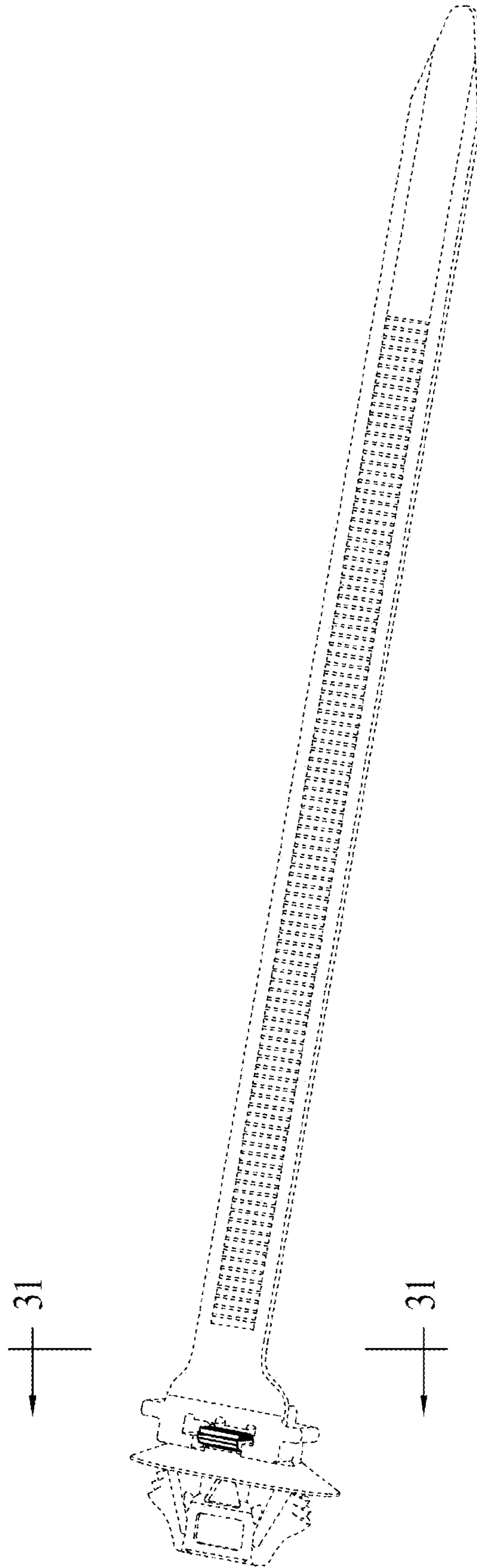


FIG. 21

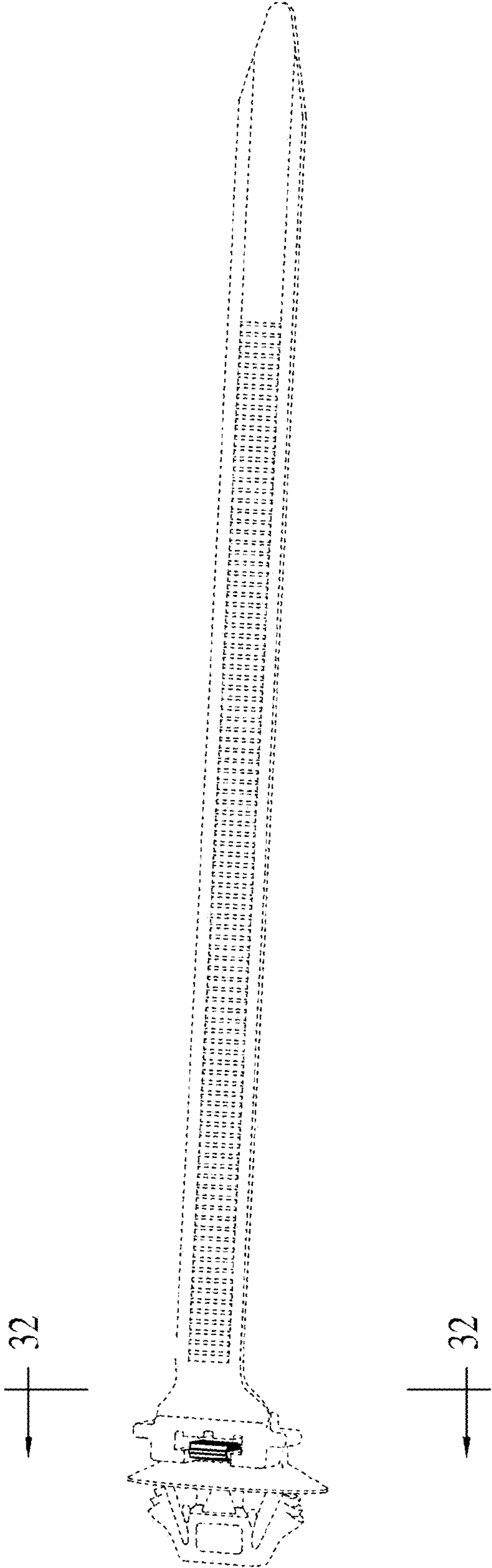


FIG. 22

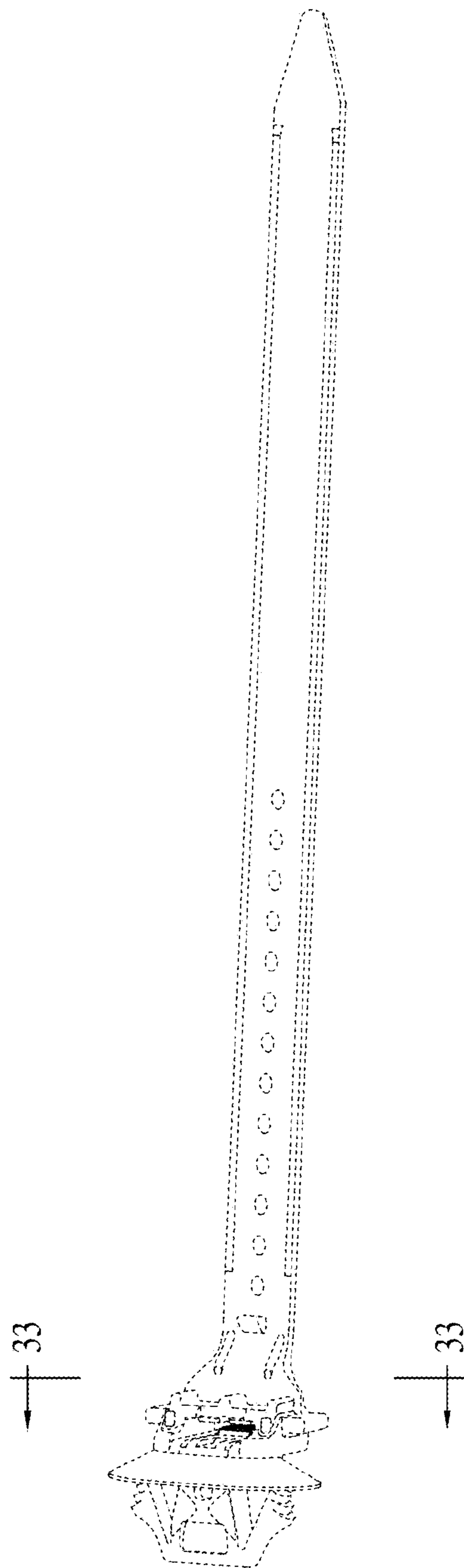


FIG. 23

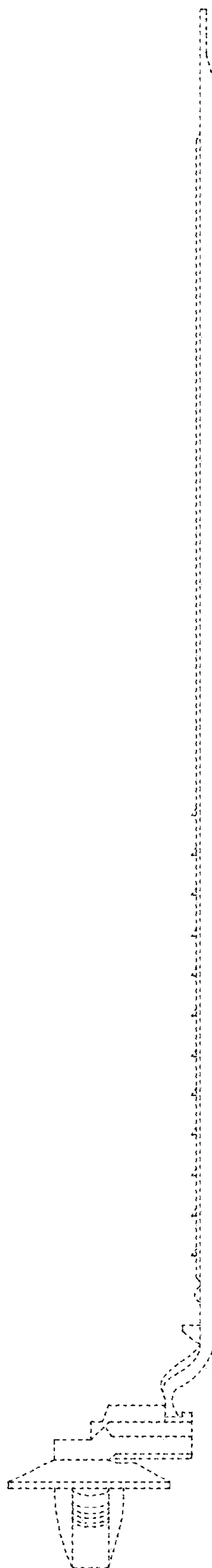


FIG. 24

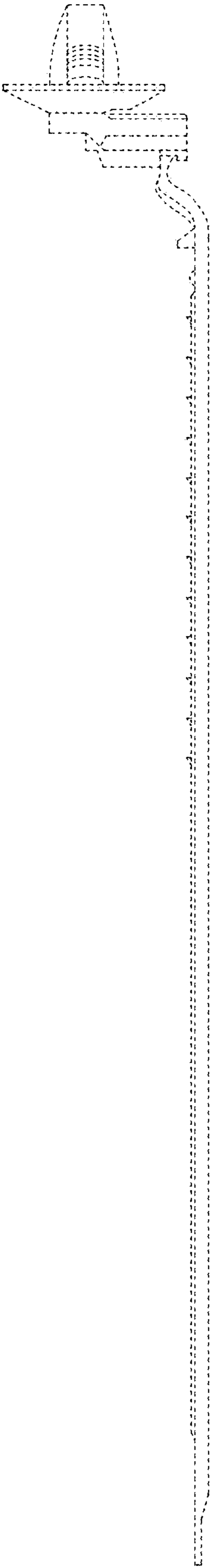


FIG. 25



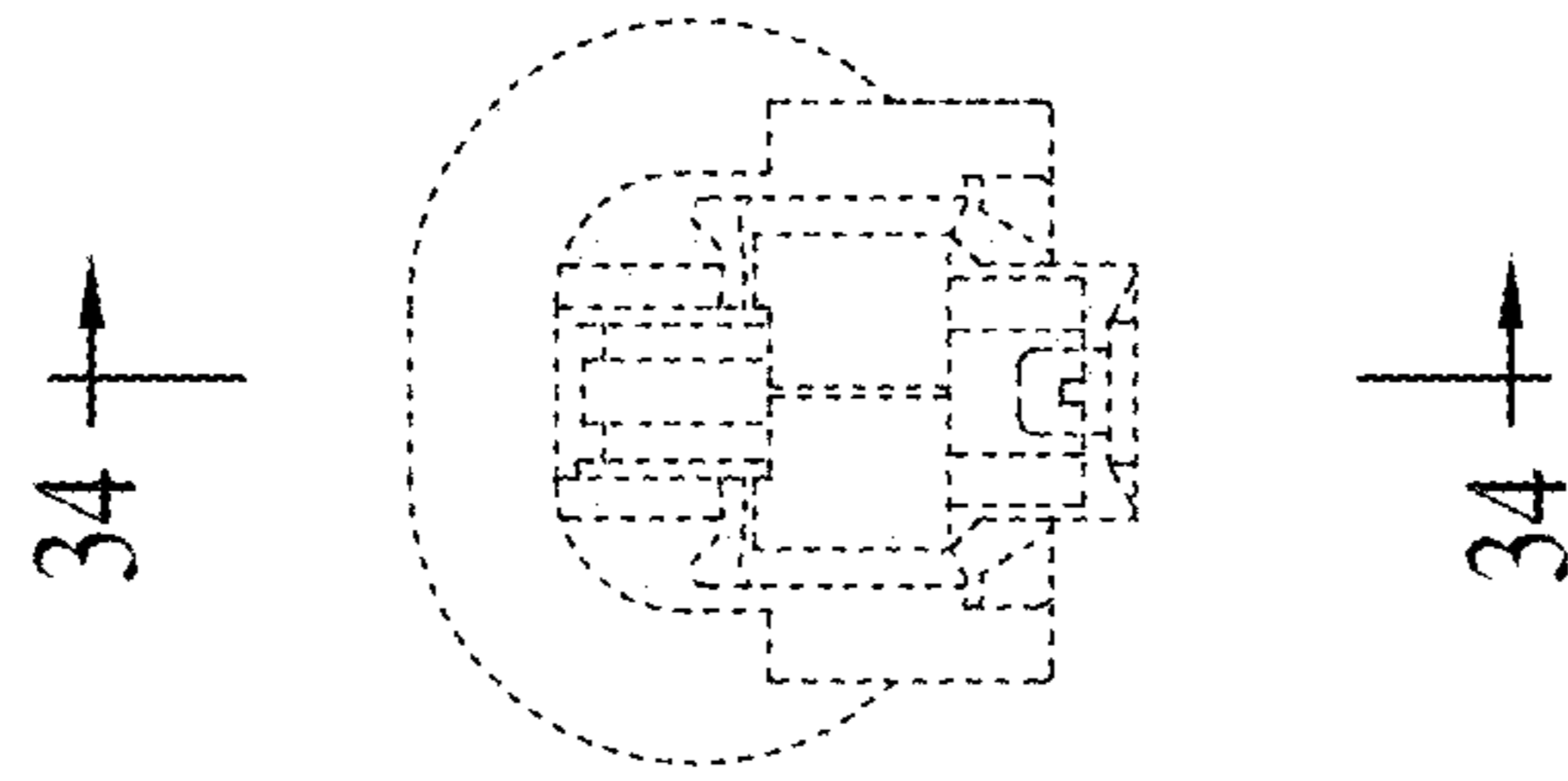


FIG. 26

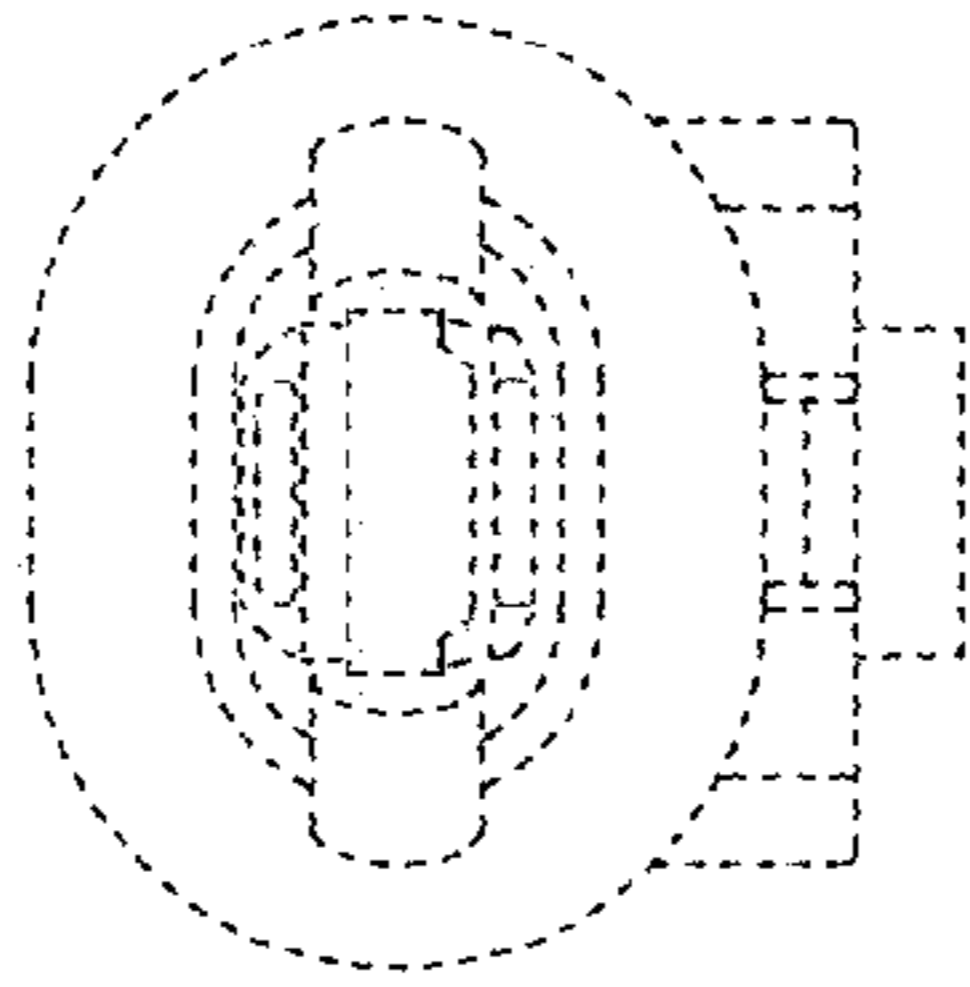


FIG. 27

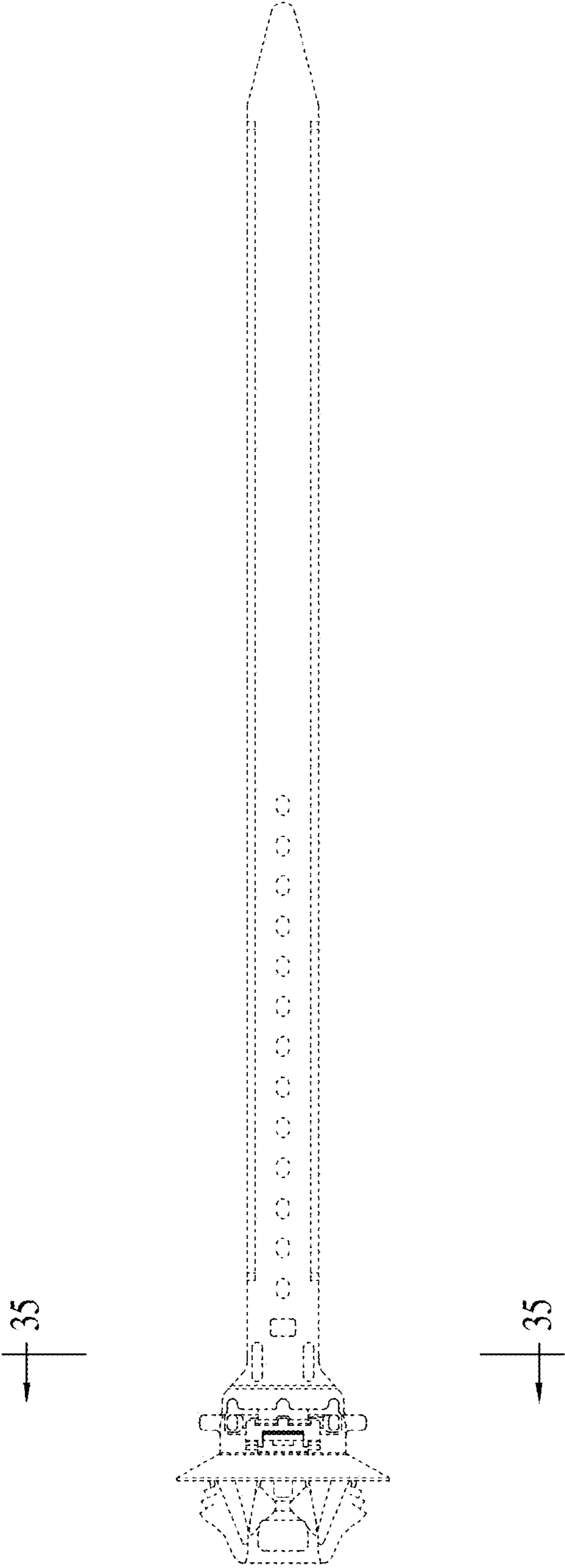


FIG. 28

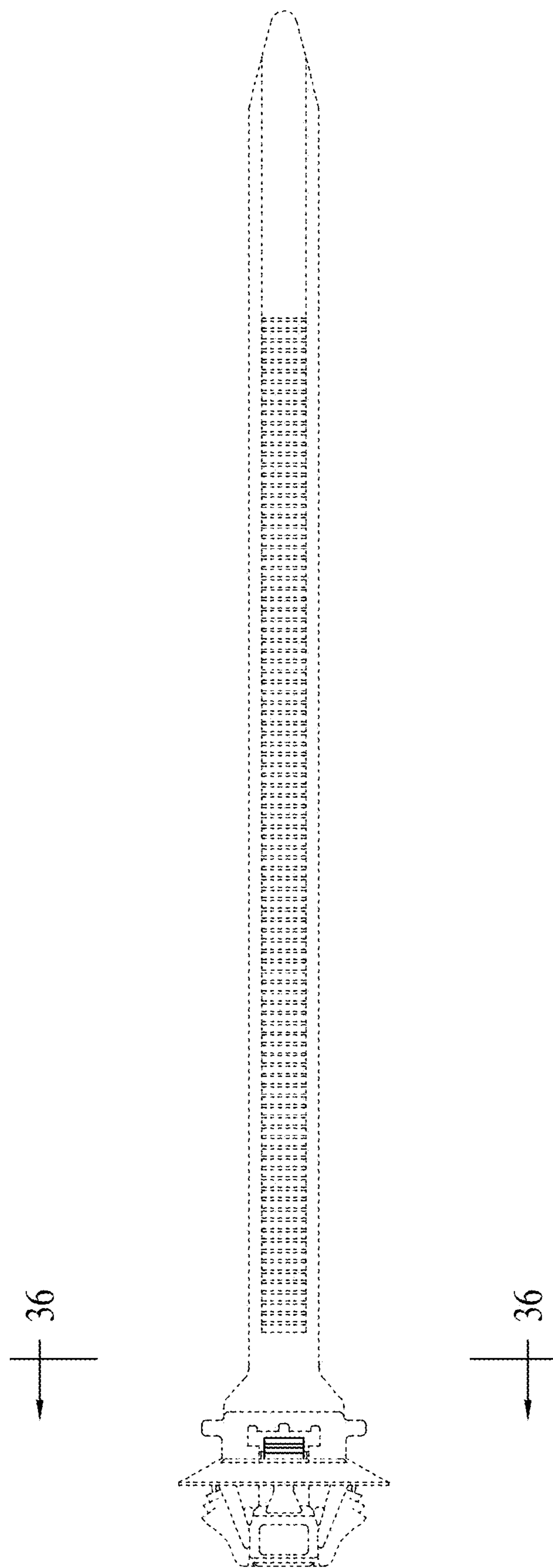


FIG. 29

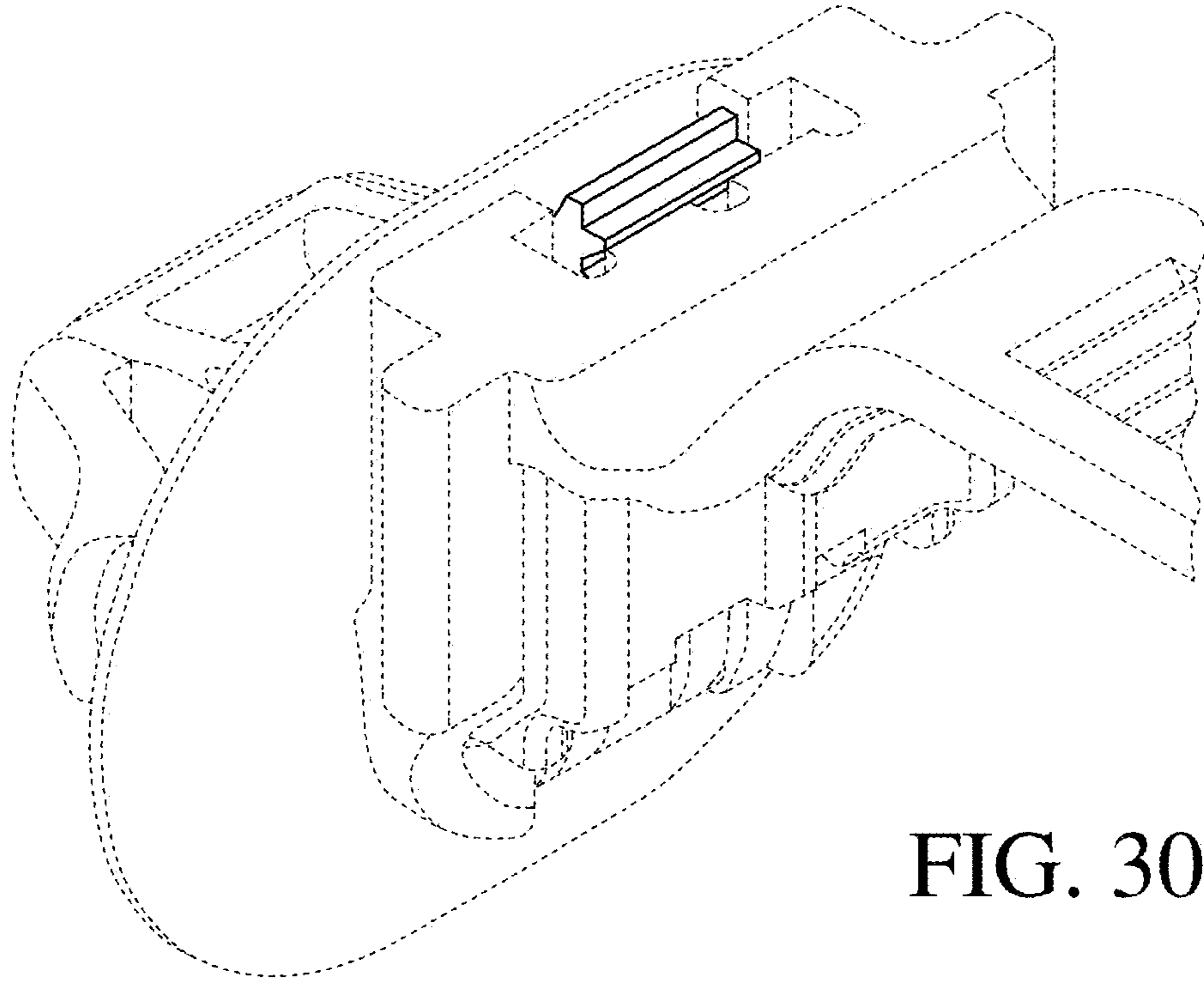


FIG. 30

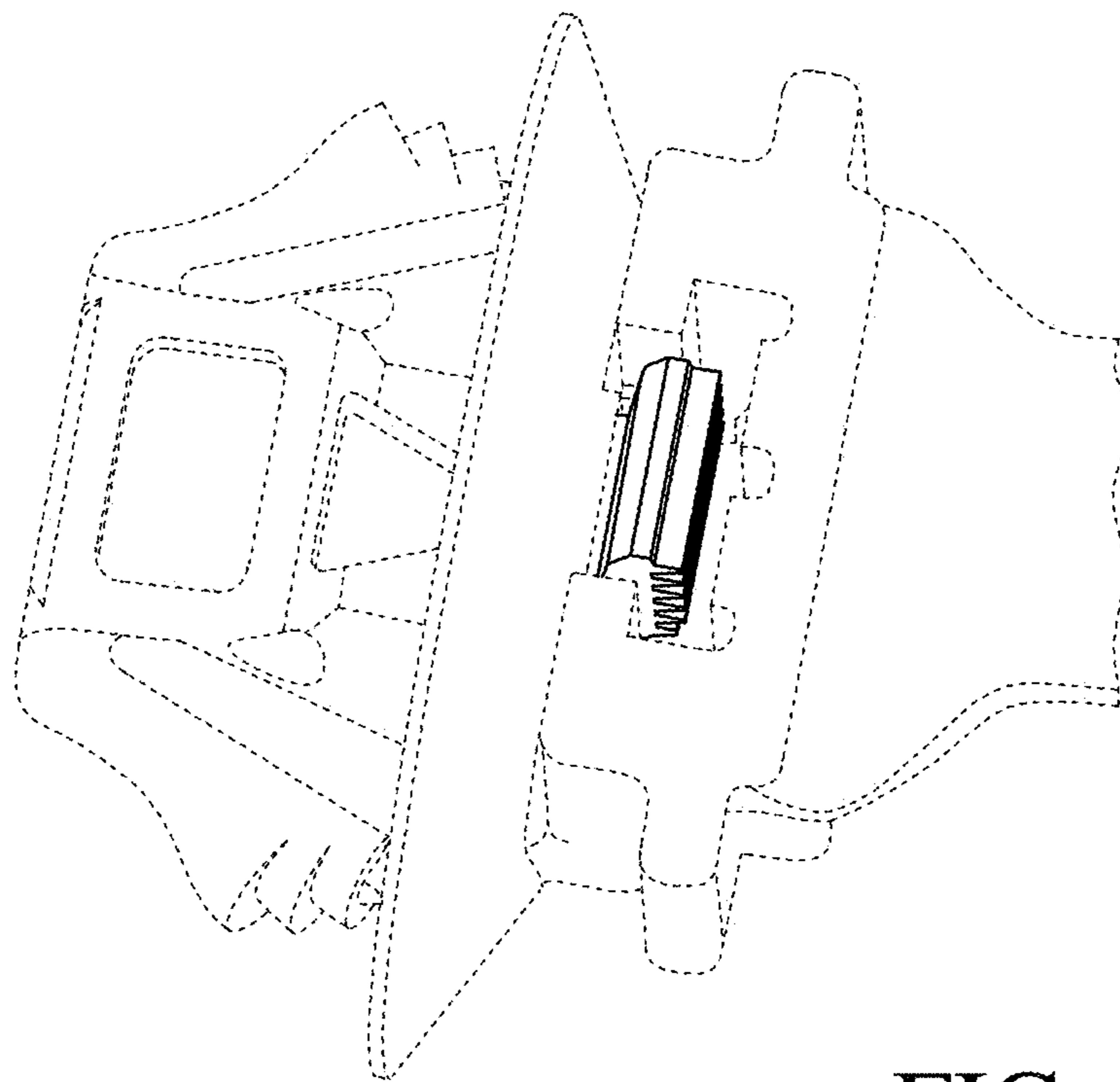


FIG. 31

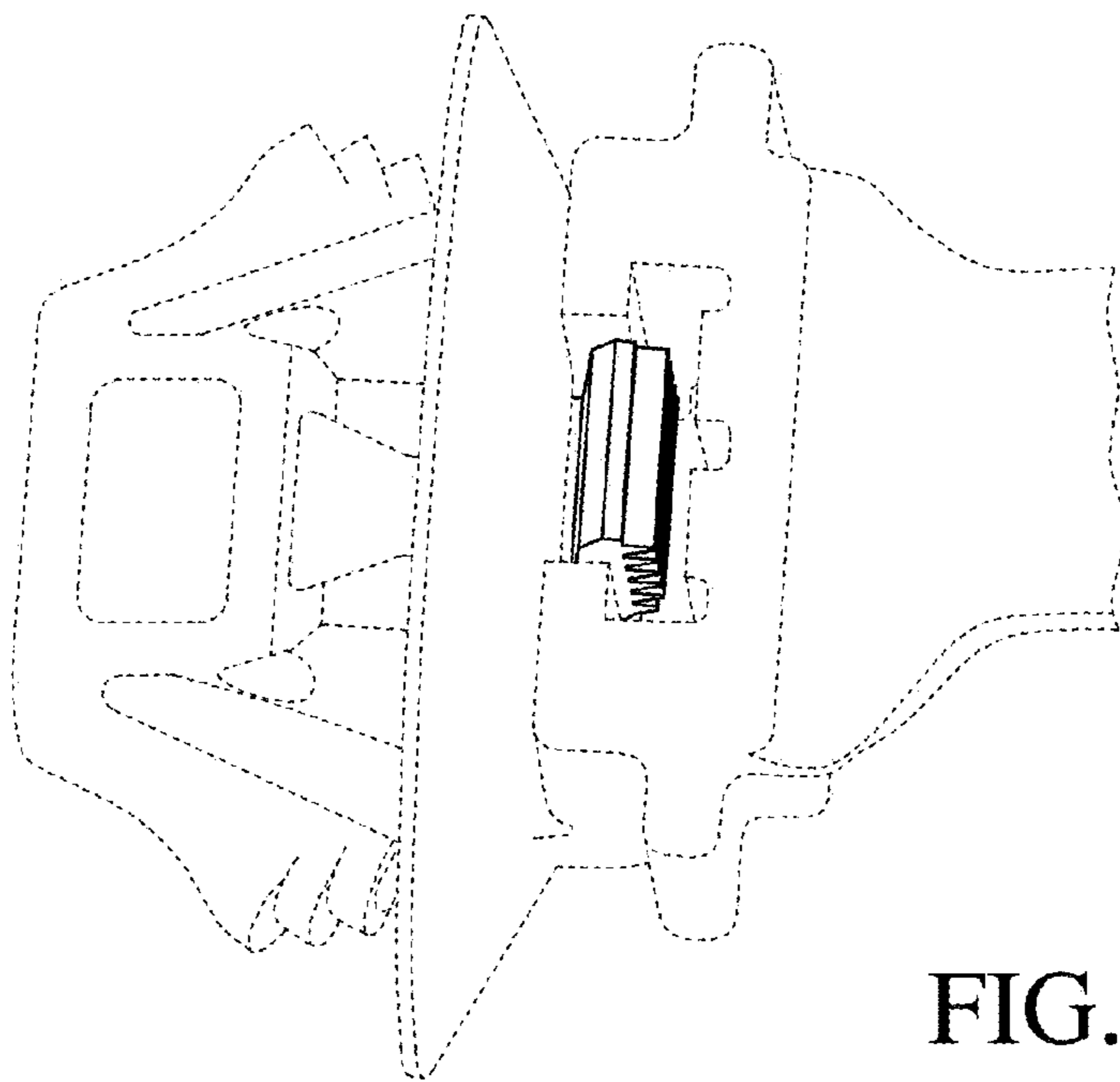


FIG. 32

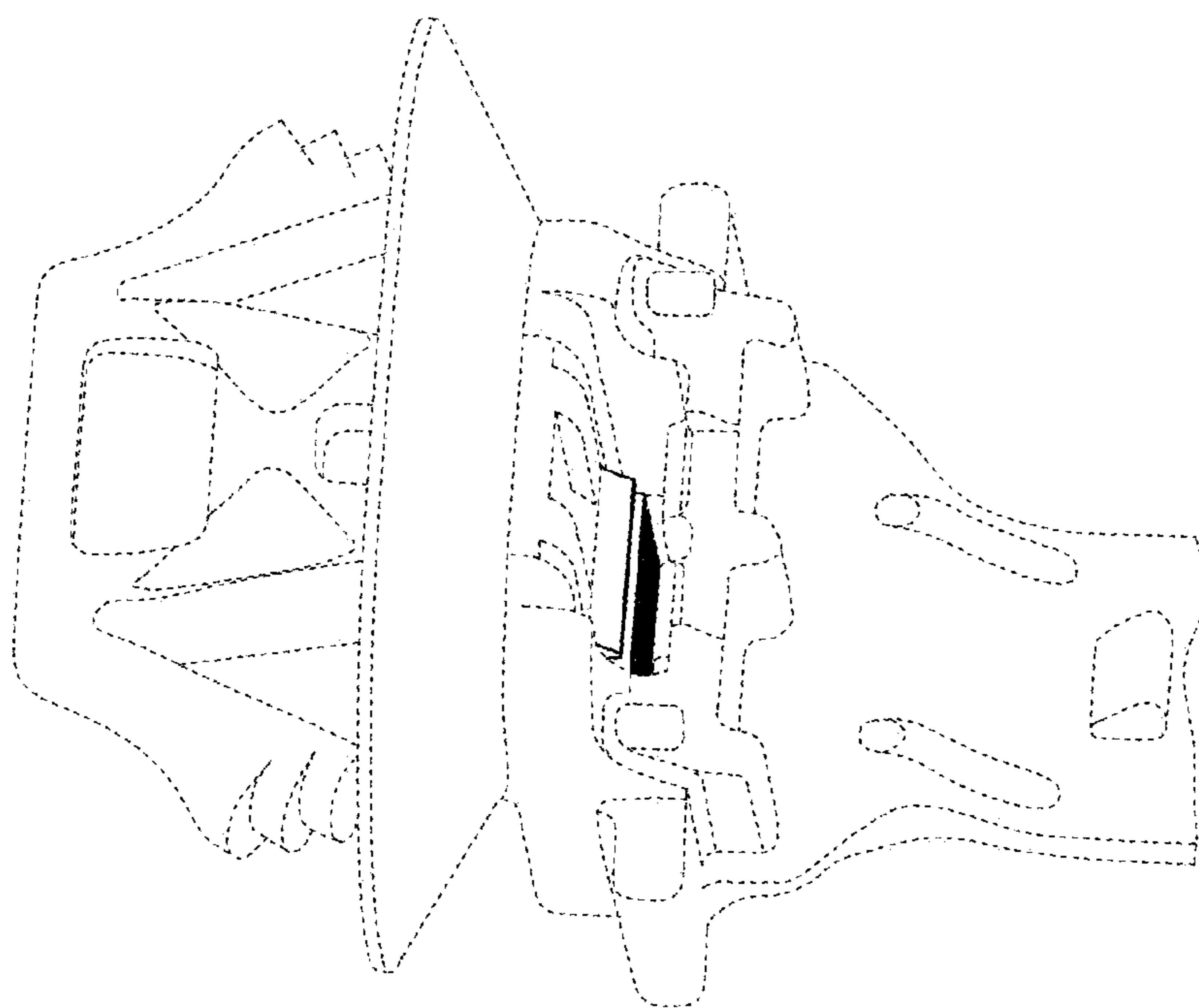


FIG. 33

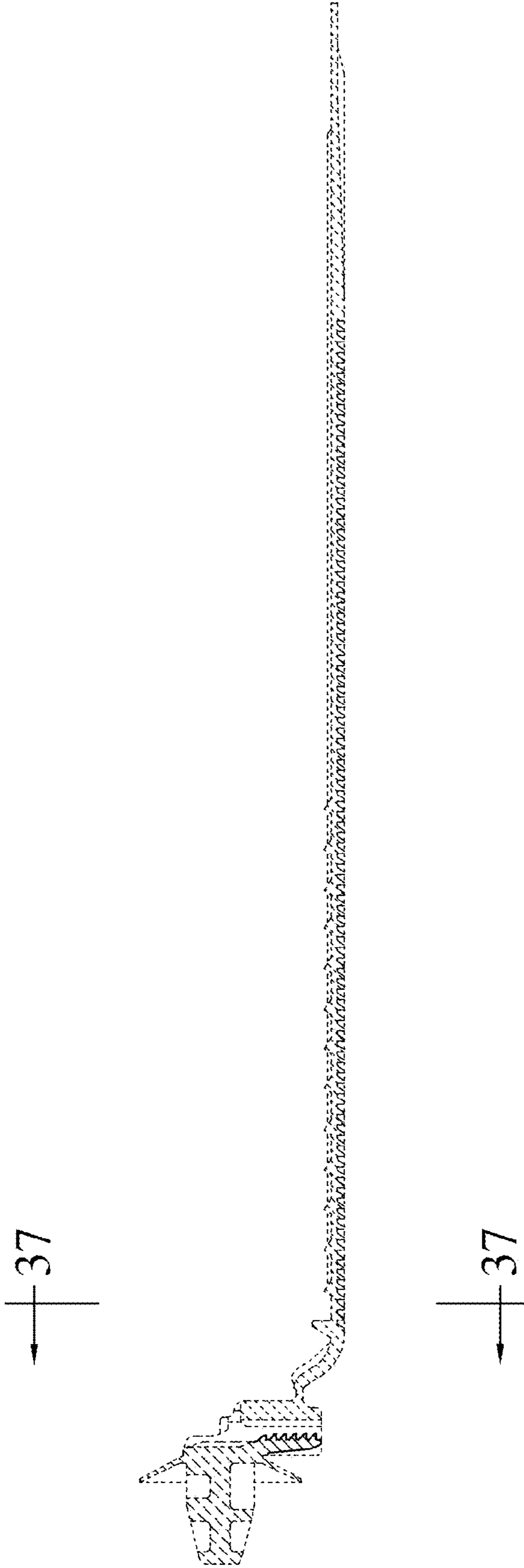


FIG. 34

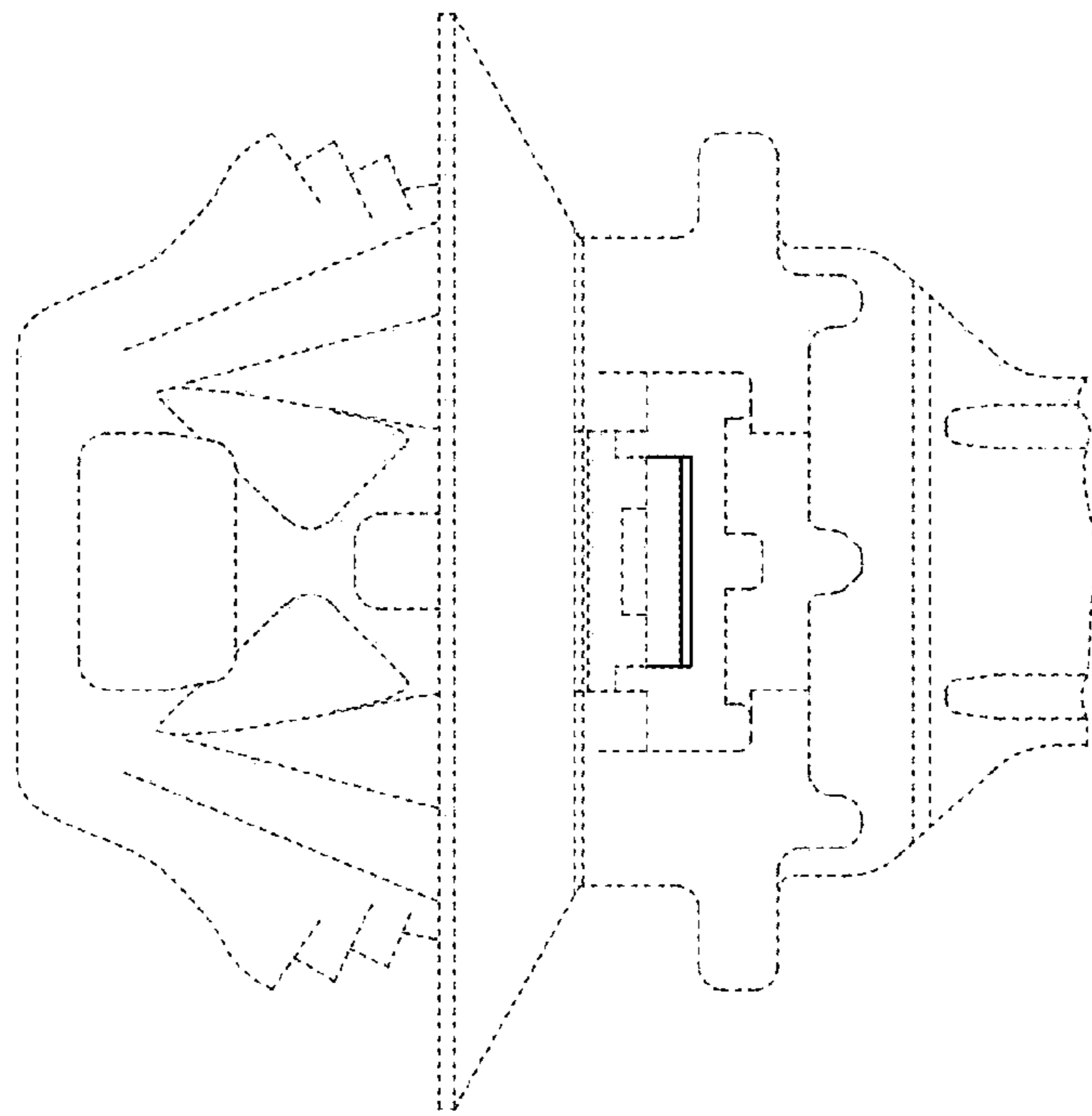


FIG. 35



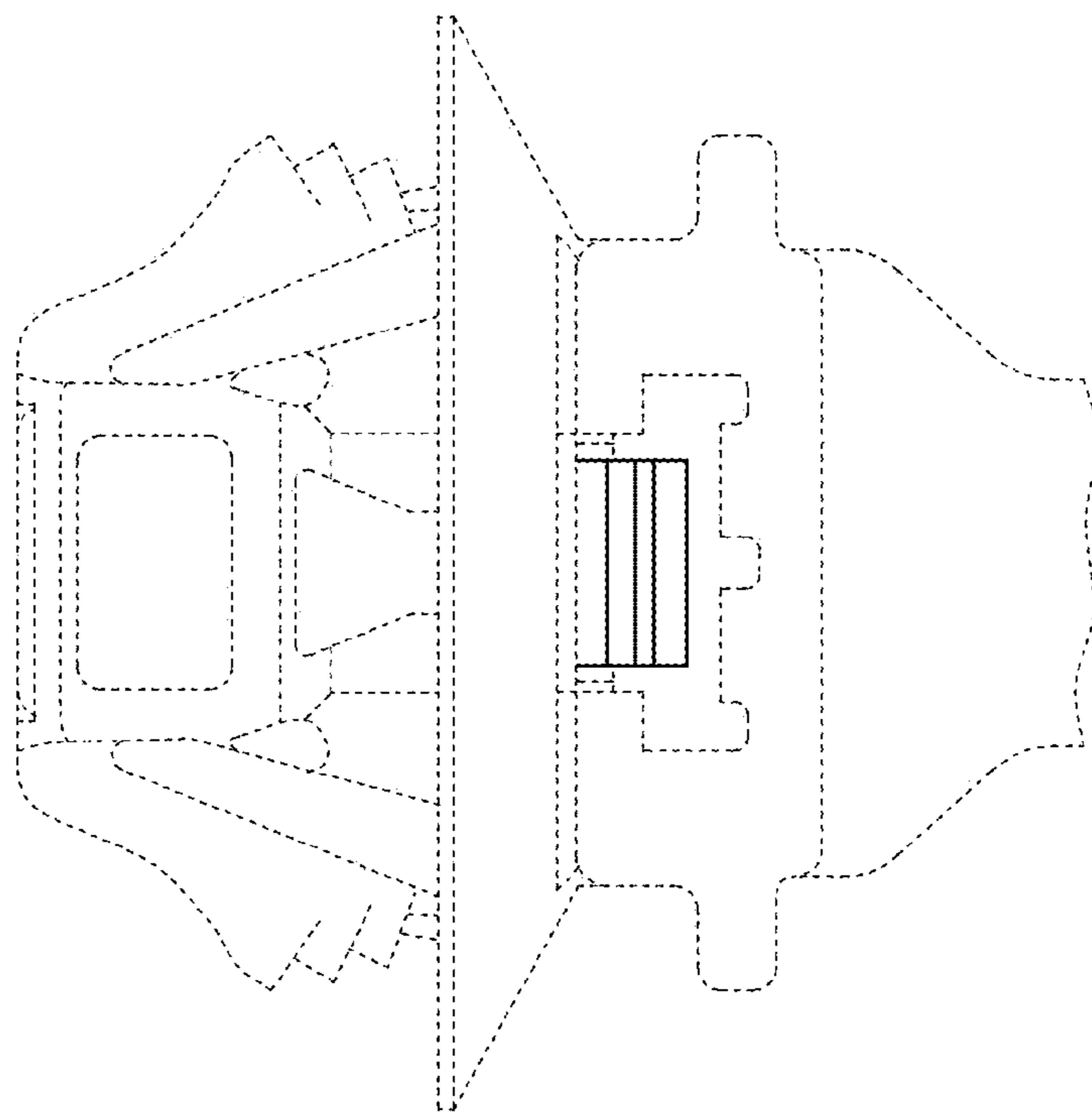


FIG. 36

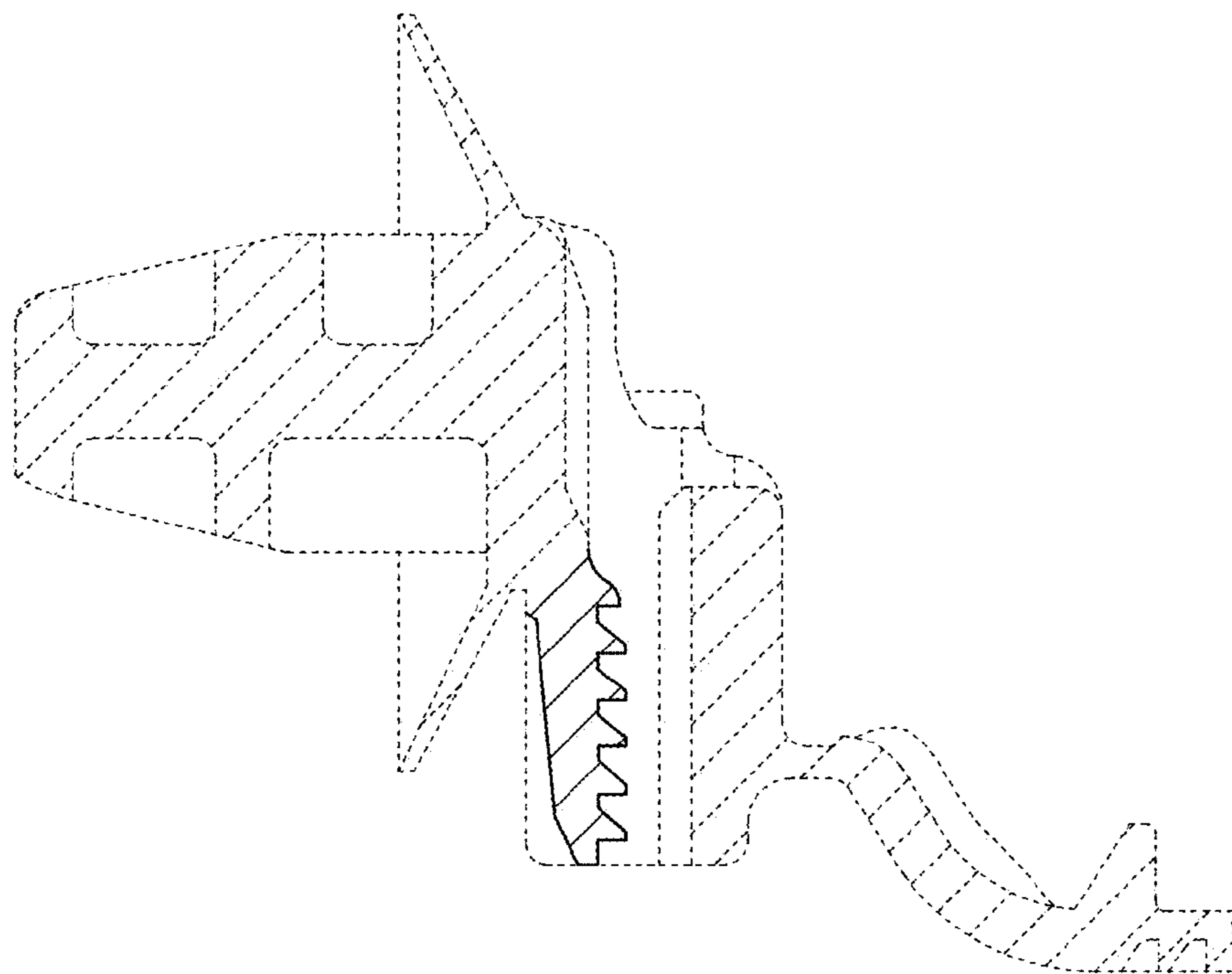


FIG. 37

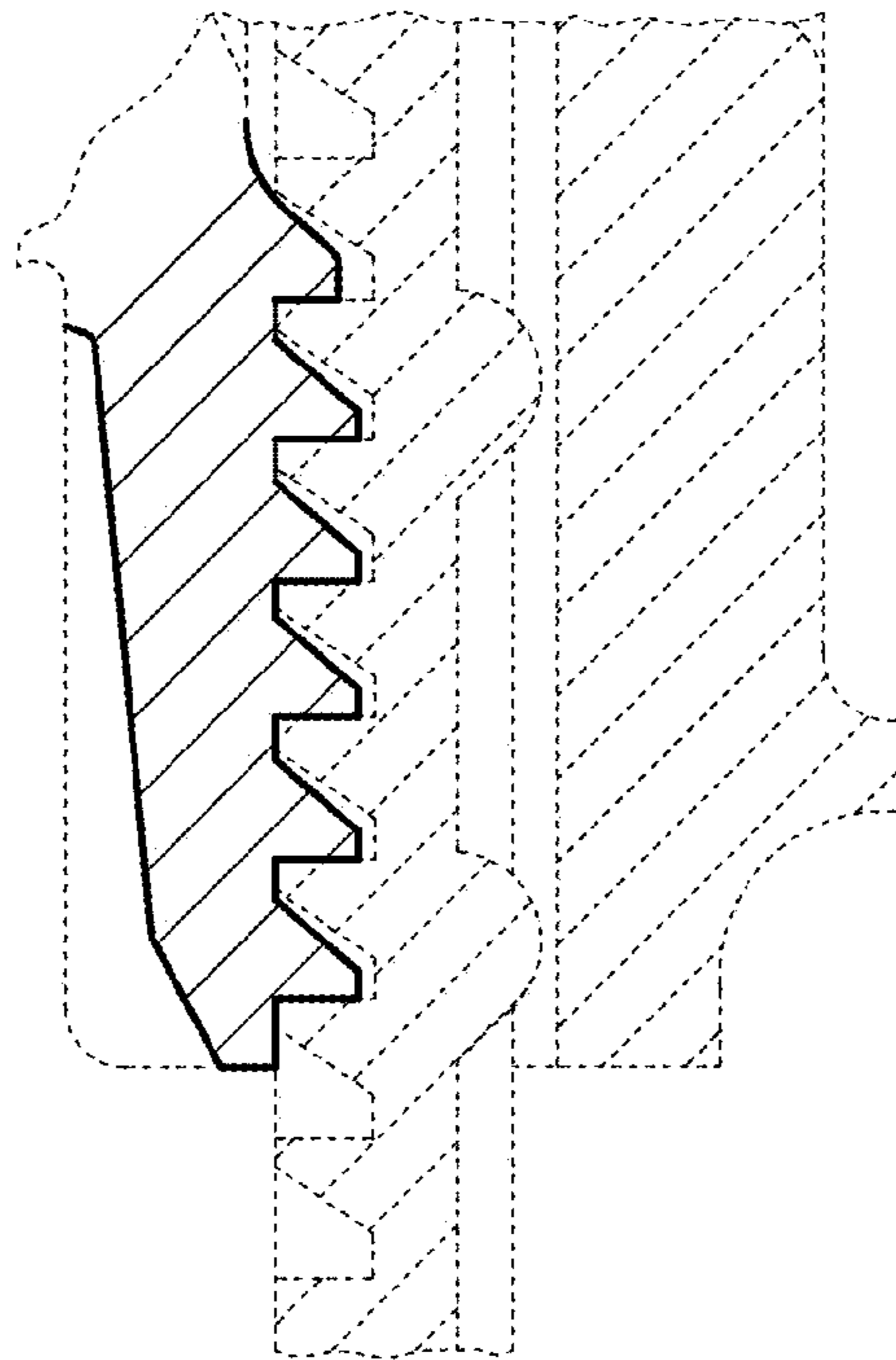


FIG. 38

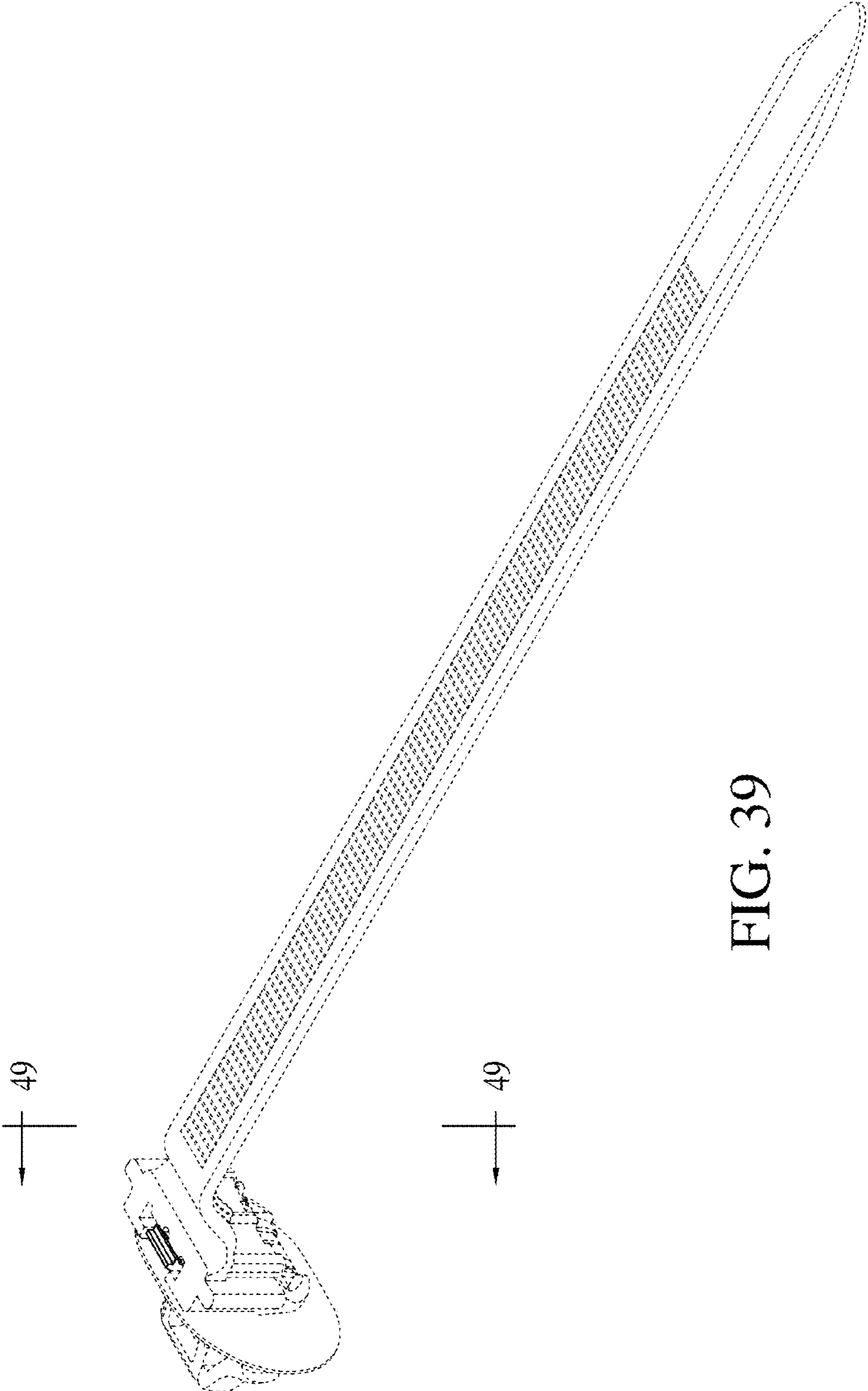


FIG. 39

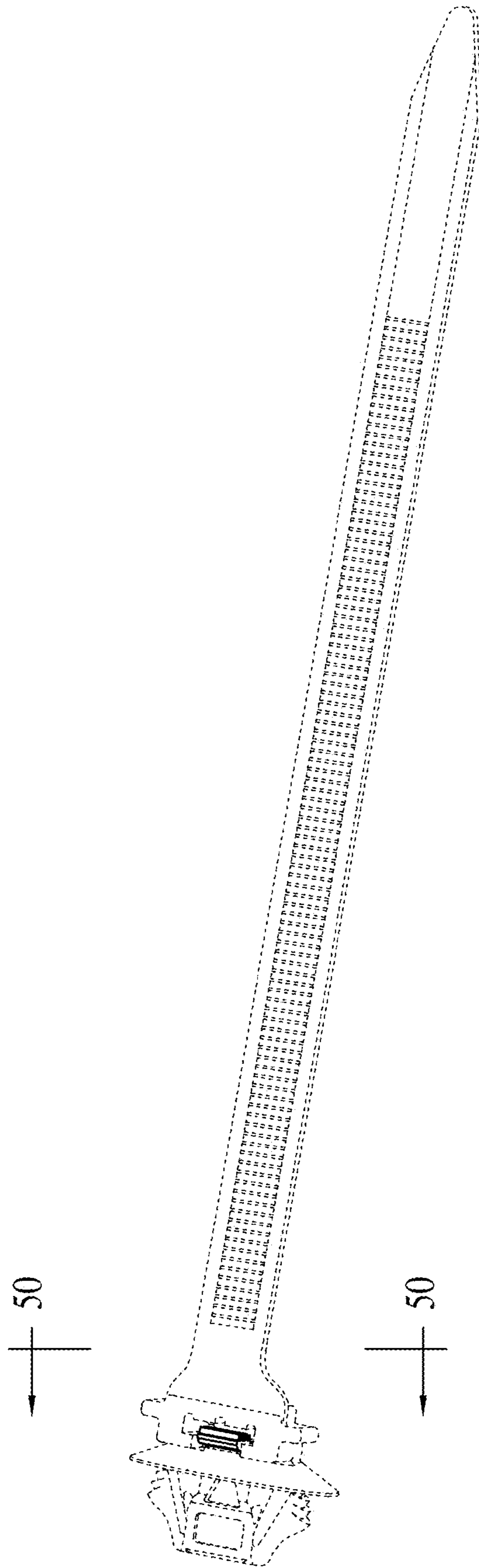


FIG. 40

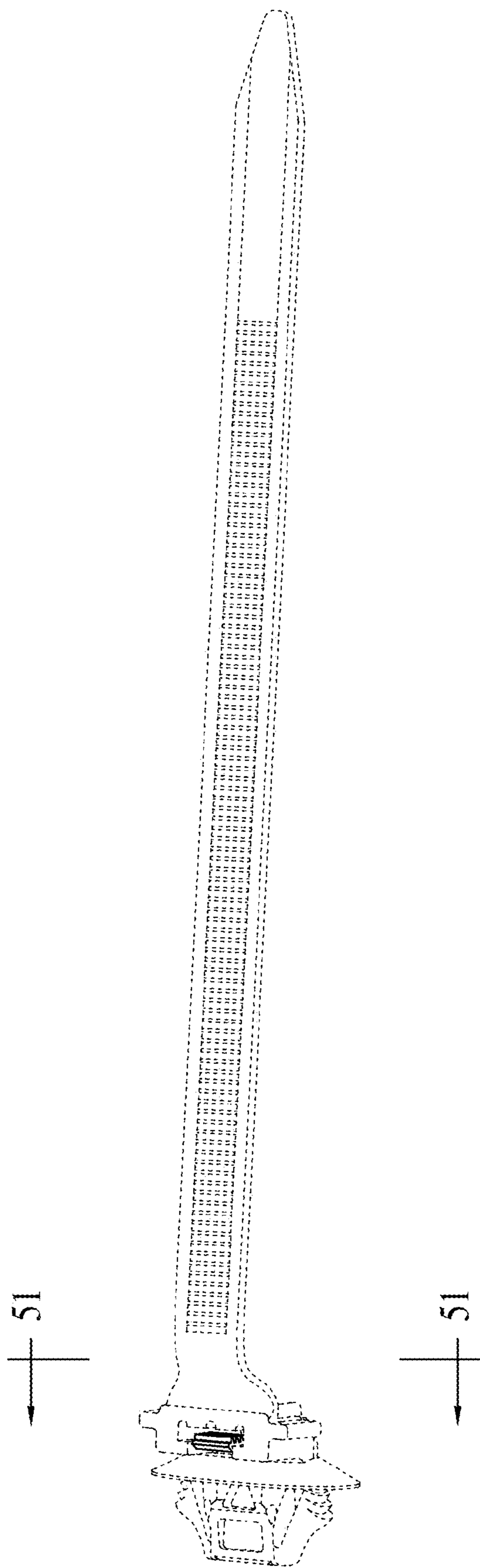


FIG. 41

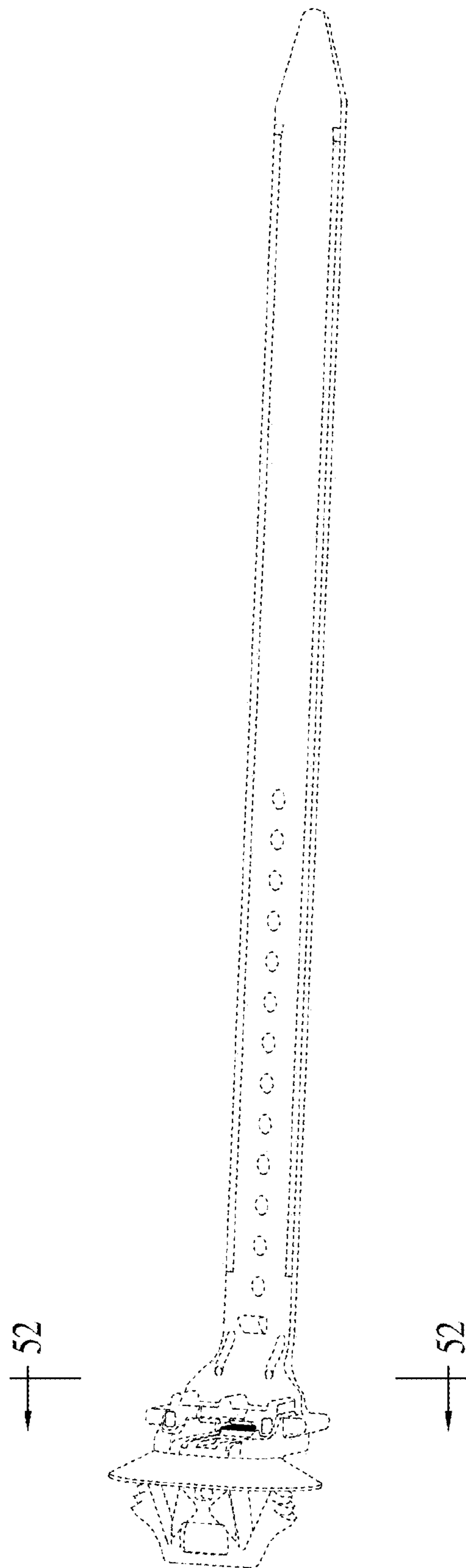


FIG. 42

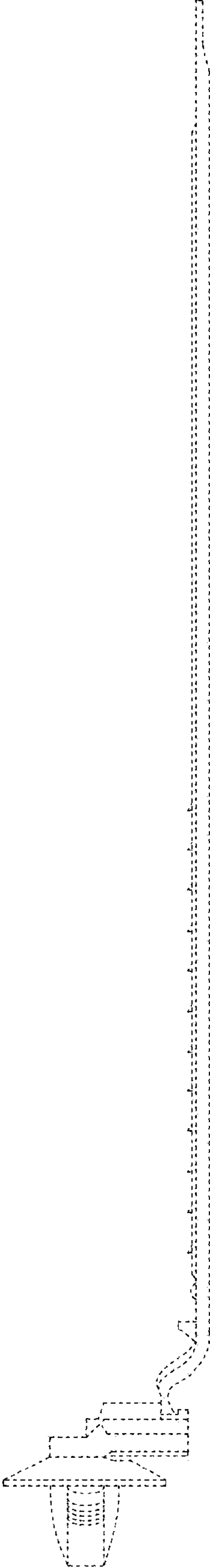


FIG. 43

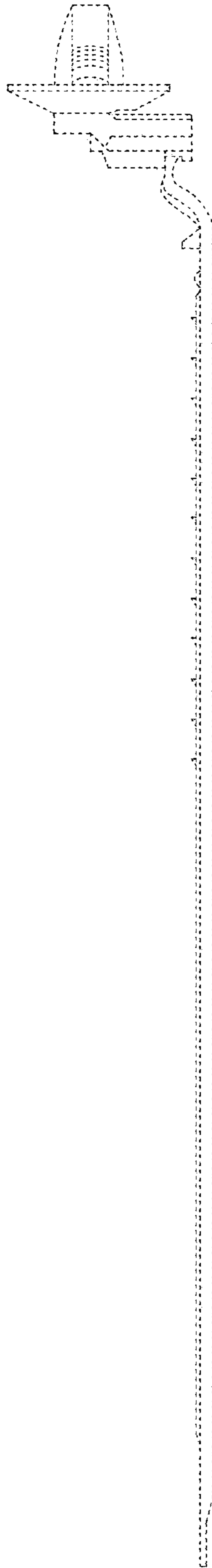


FIG. 44



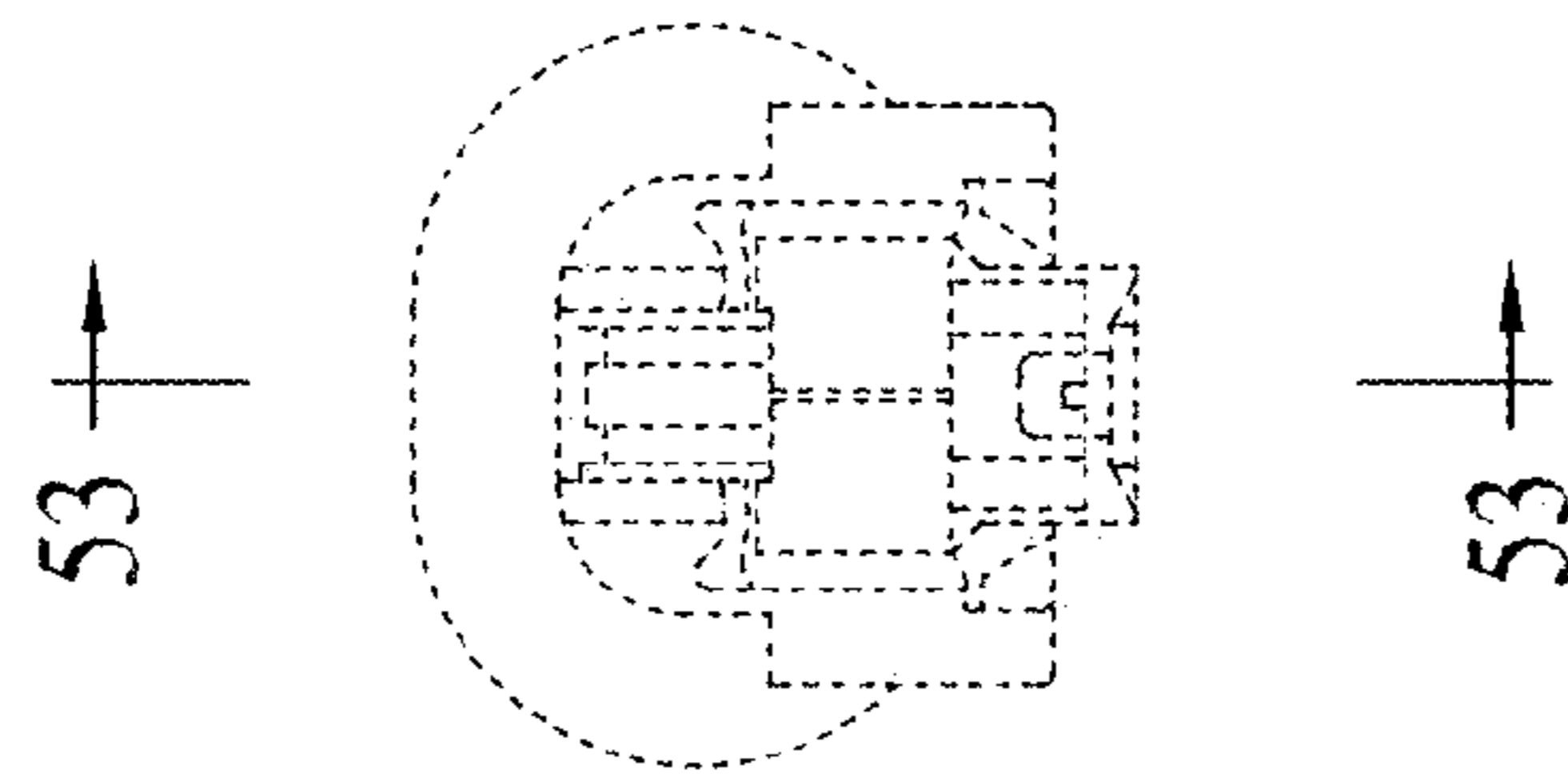


FIG. 45

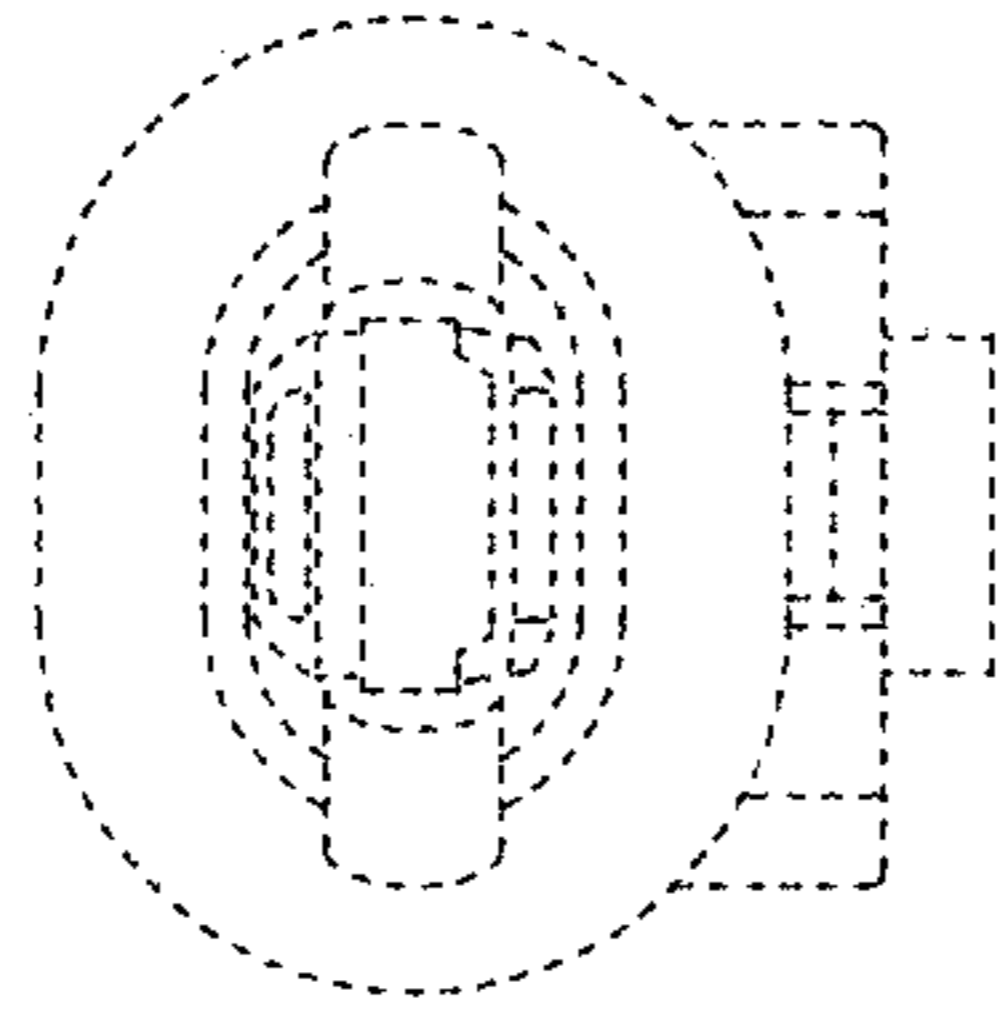


FIG. 46

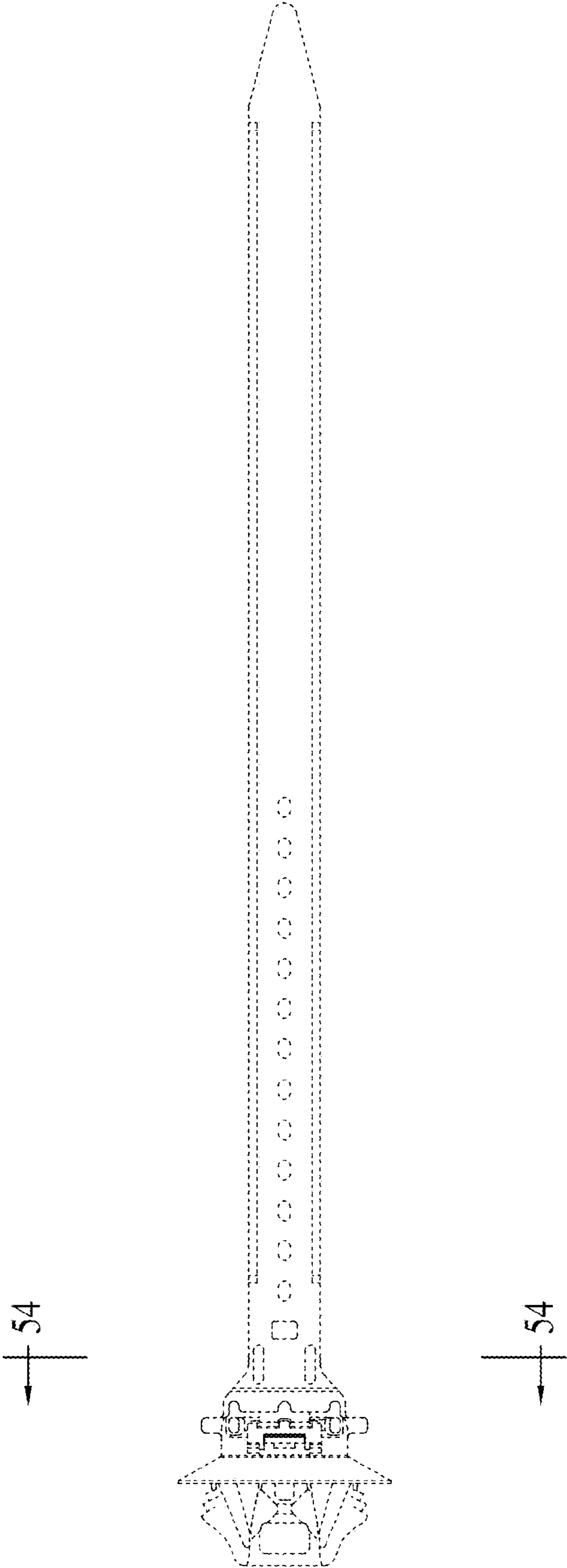


FIG. 47

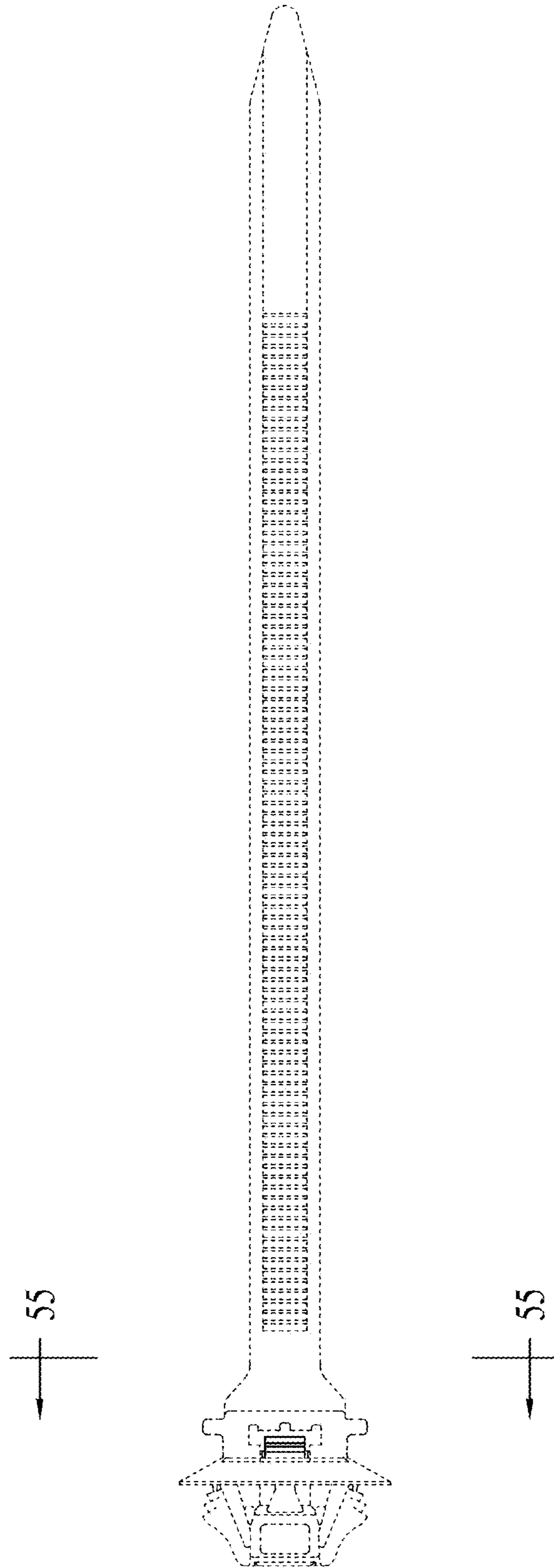


FIG. 48

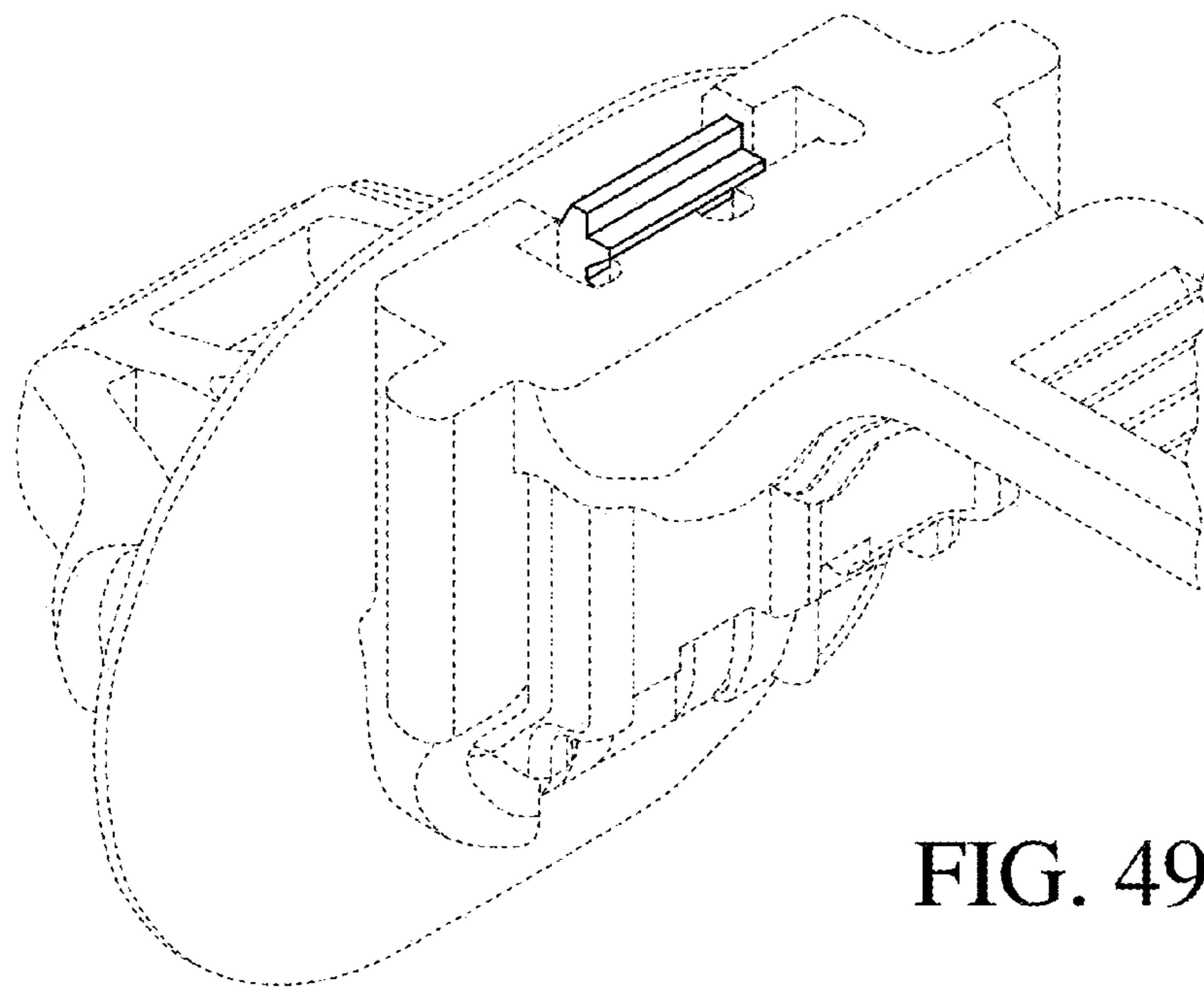


FIG. 49

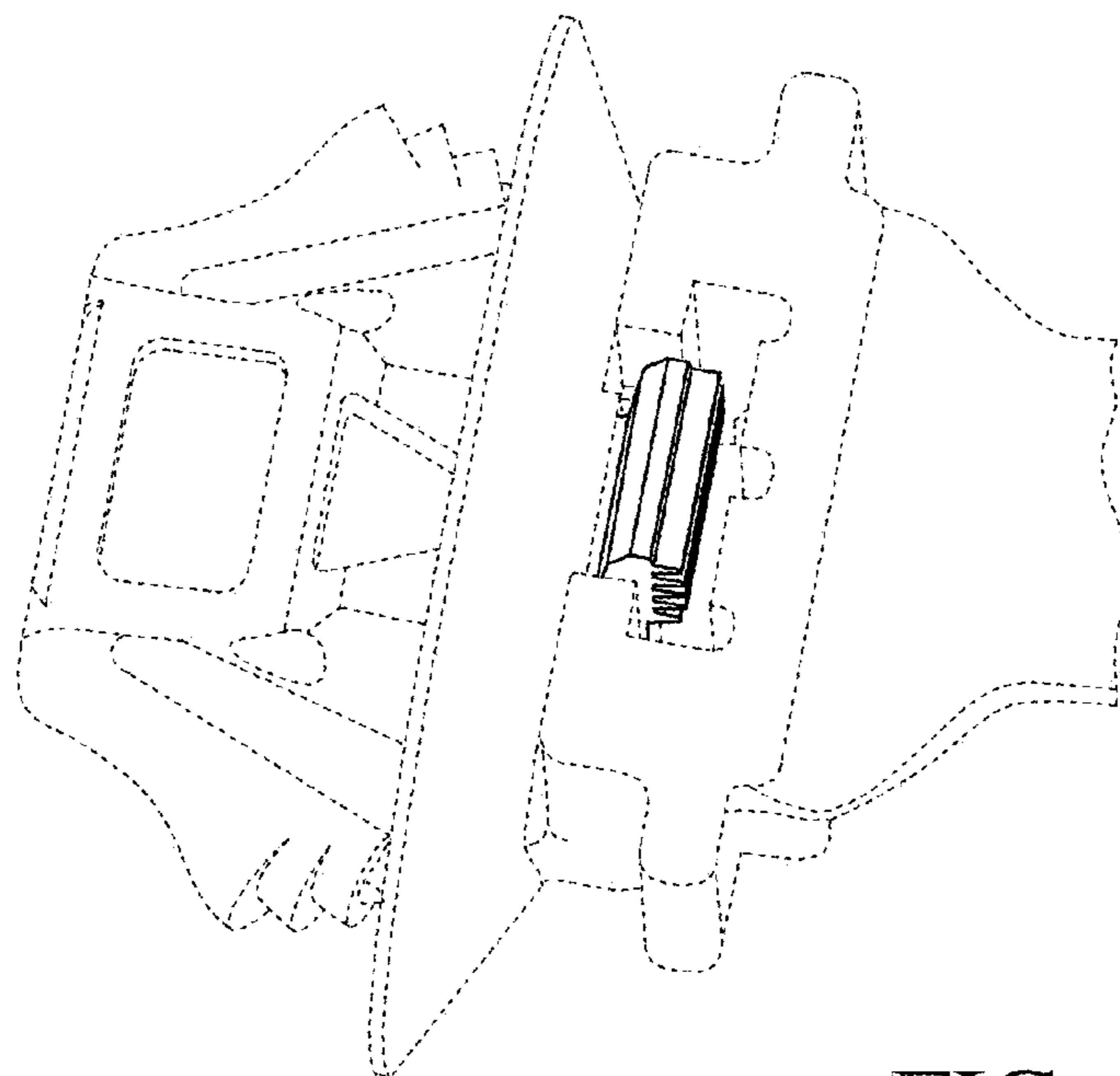


FIG. 50

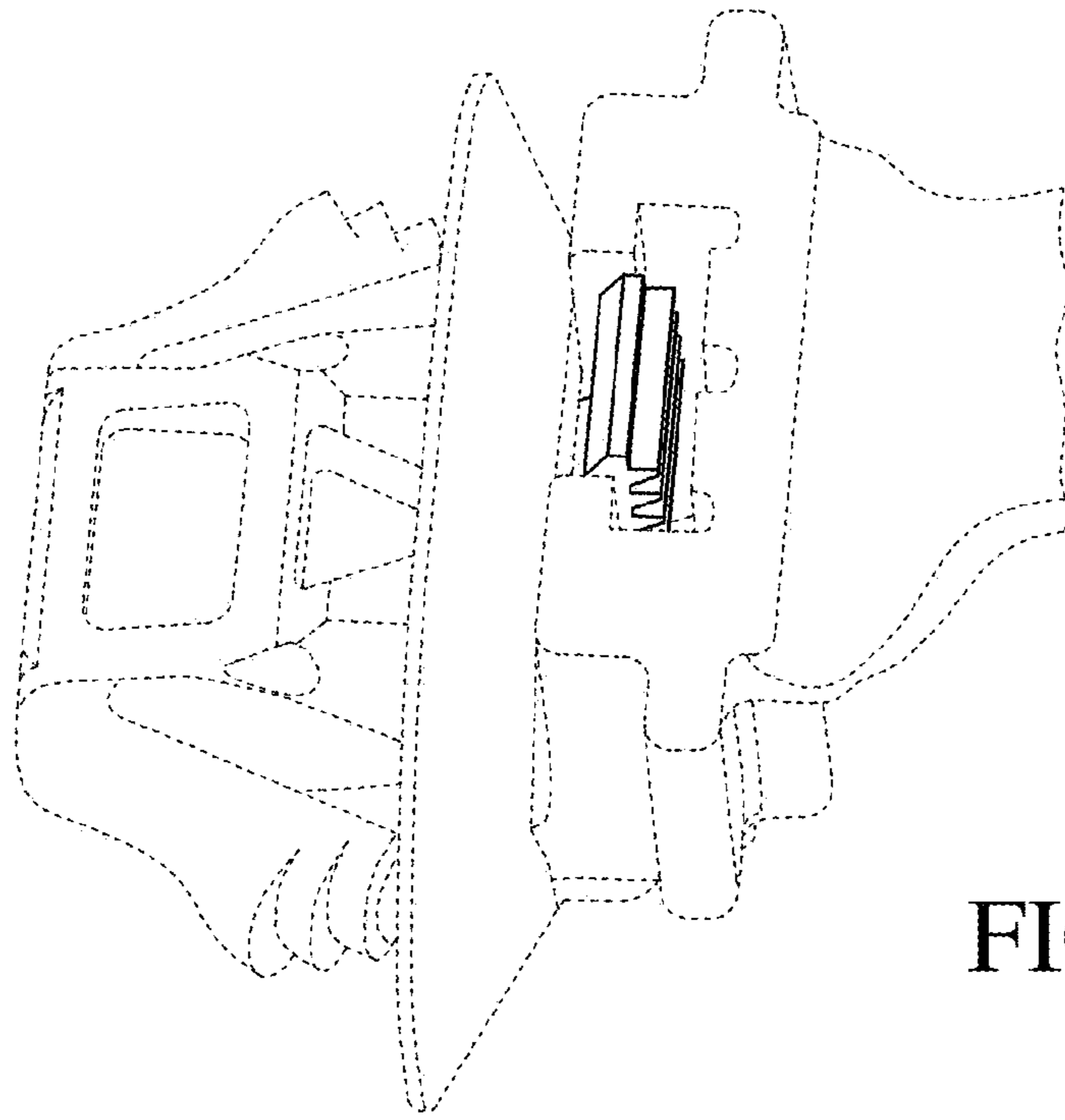


FIG. 51

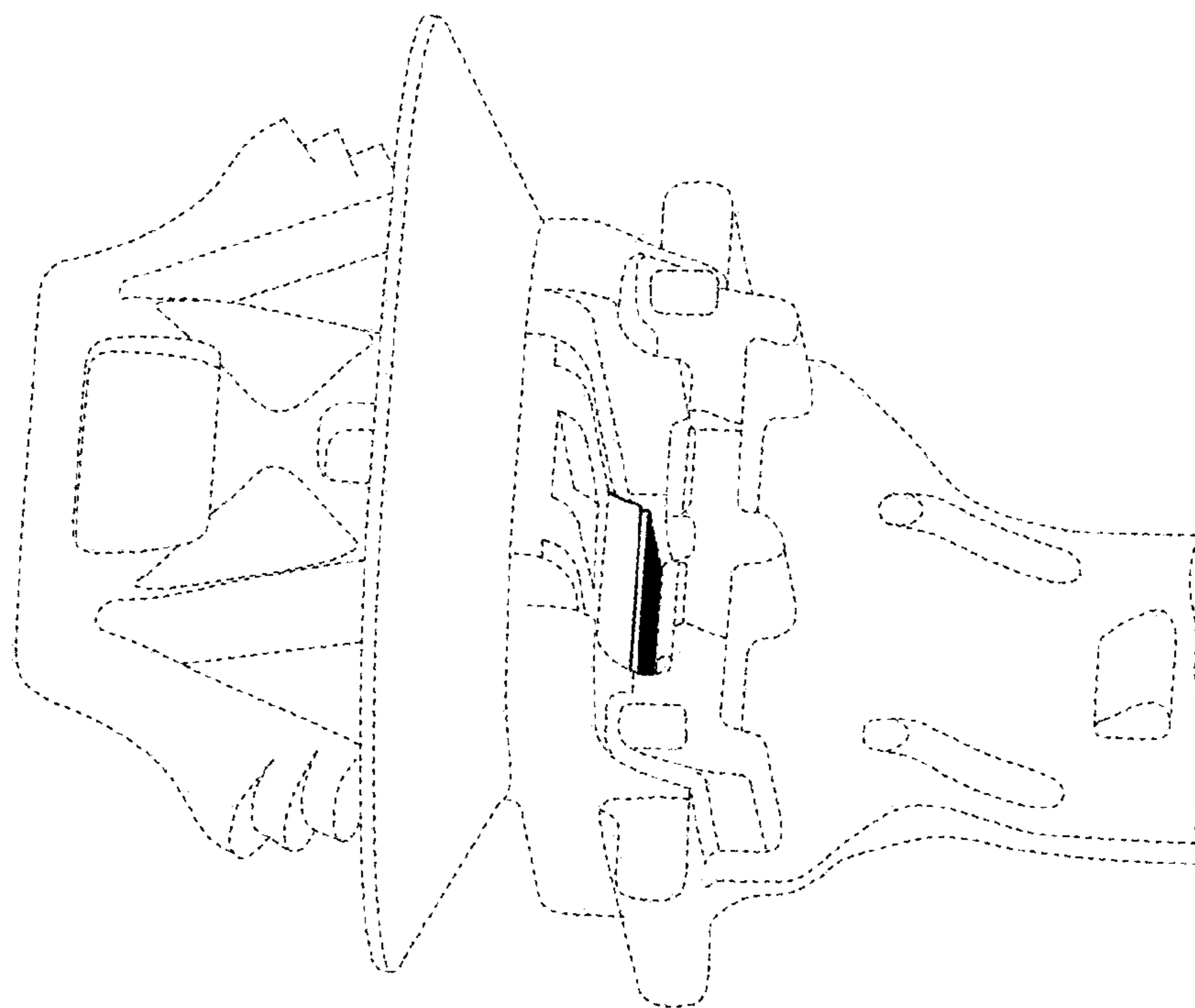


FIG. 52

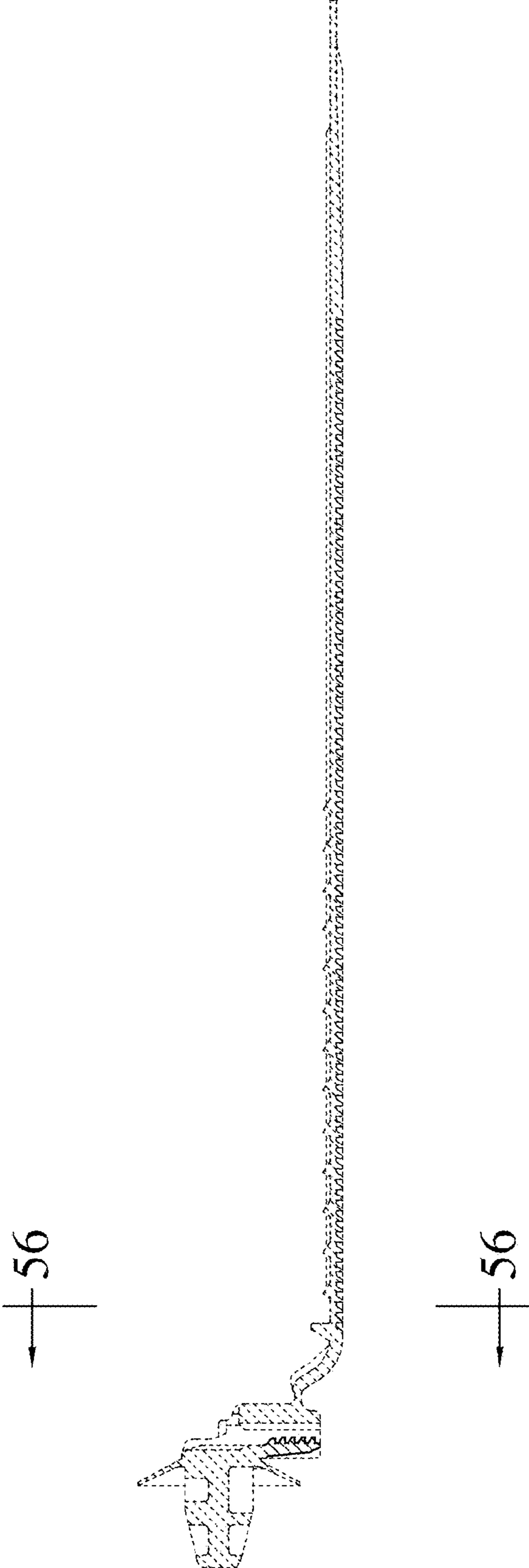


FIG. 53

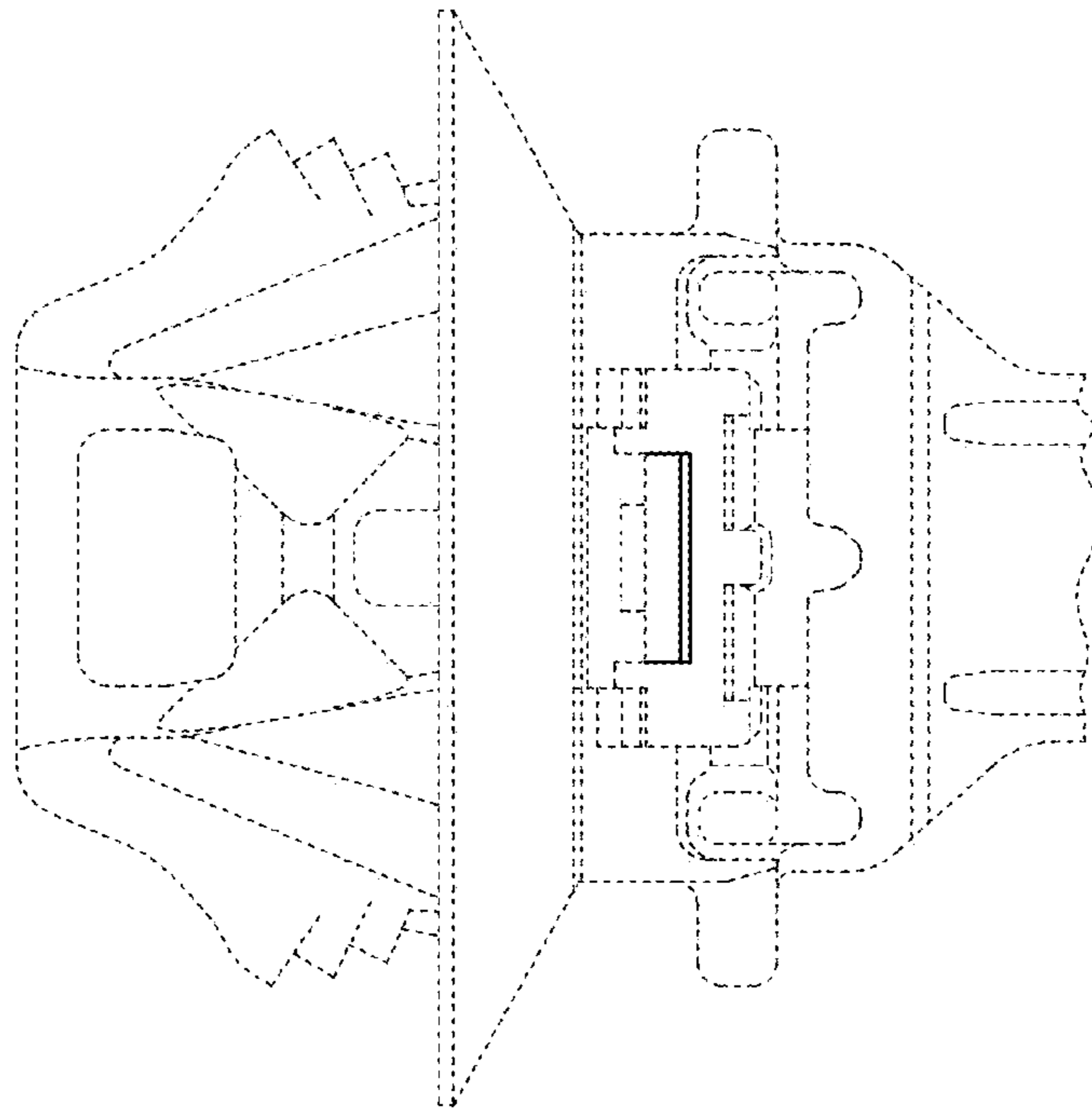


FIG. 54



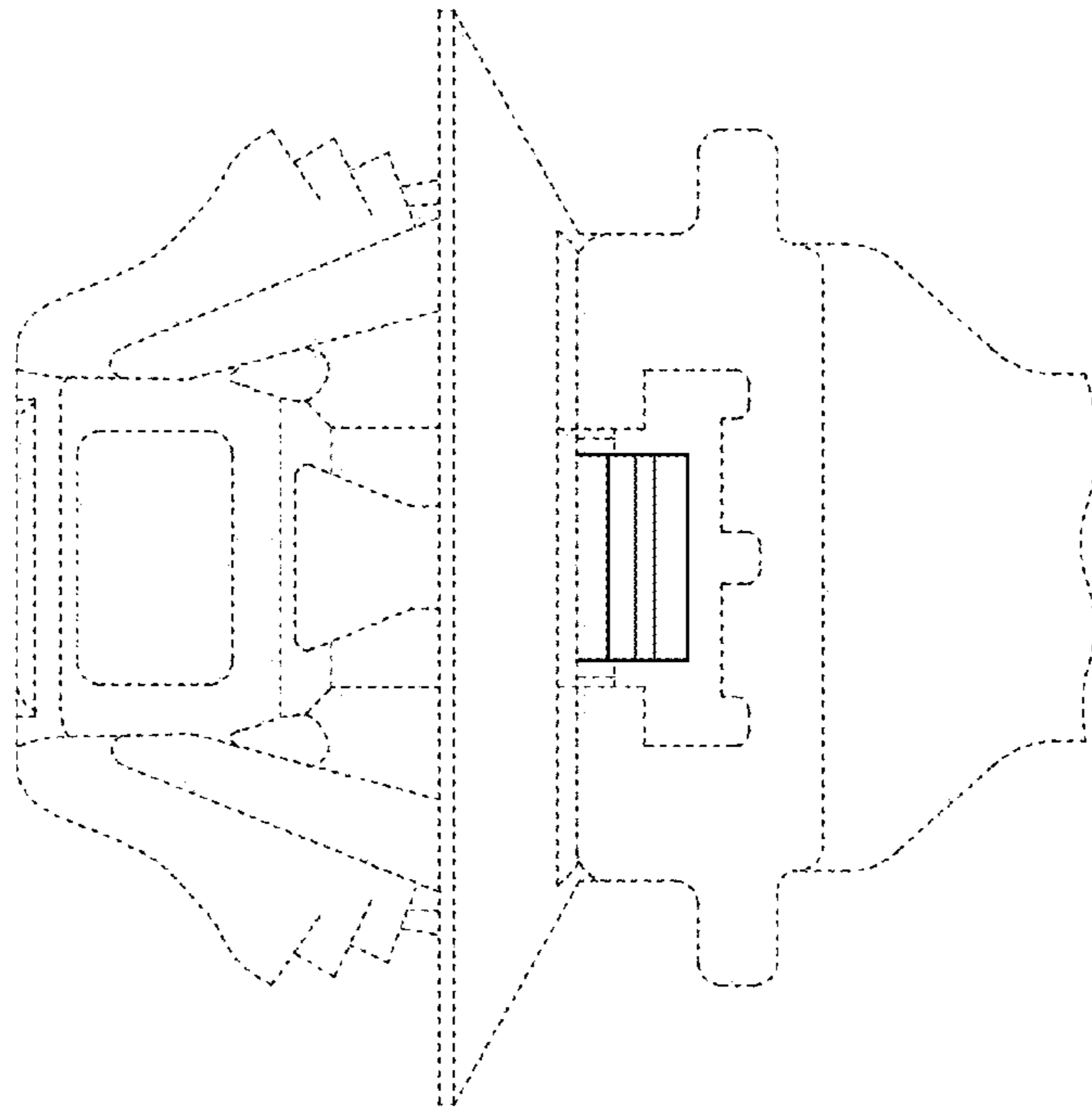


FIG. 55

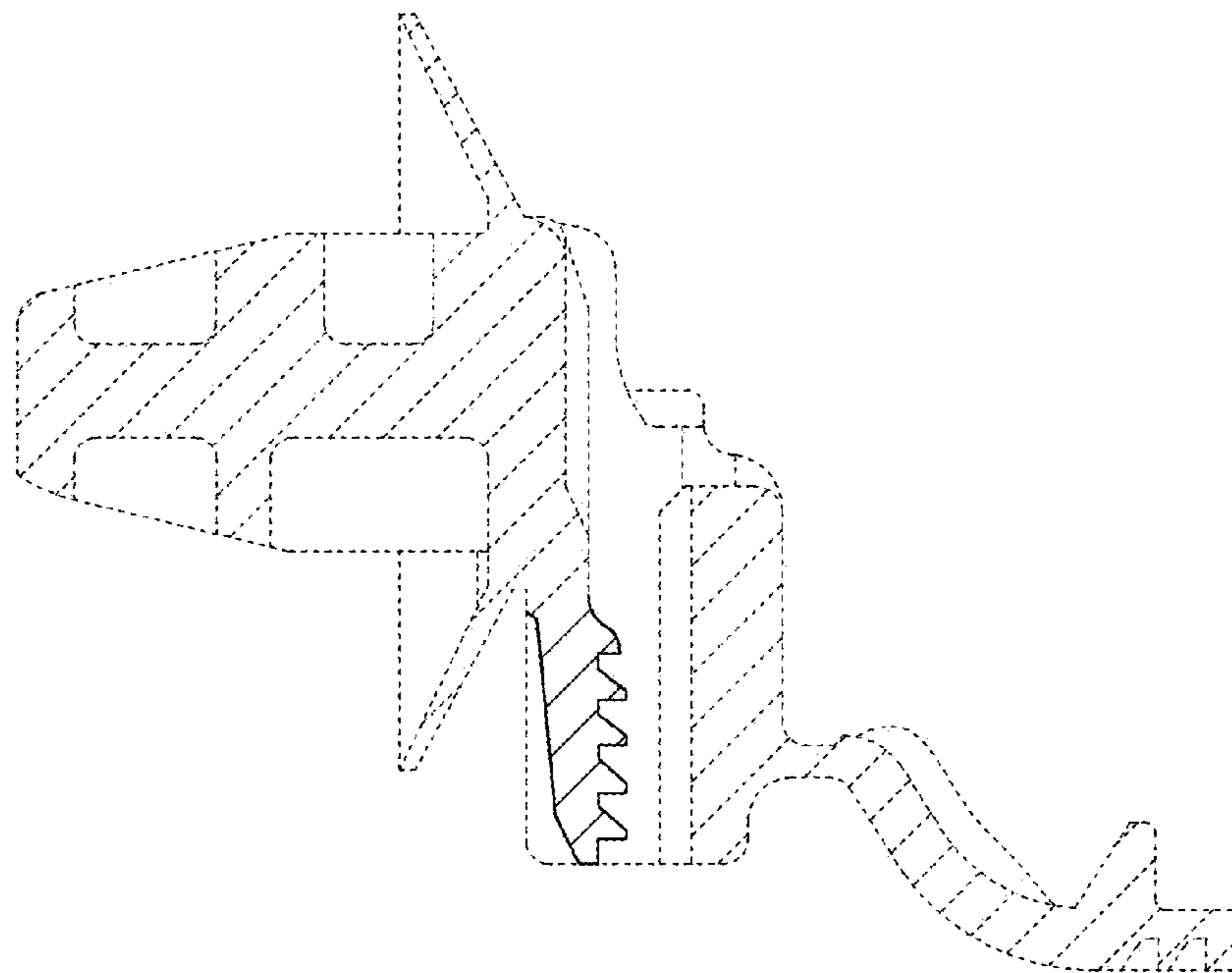


FIG. 56

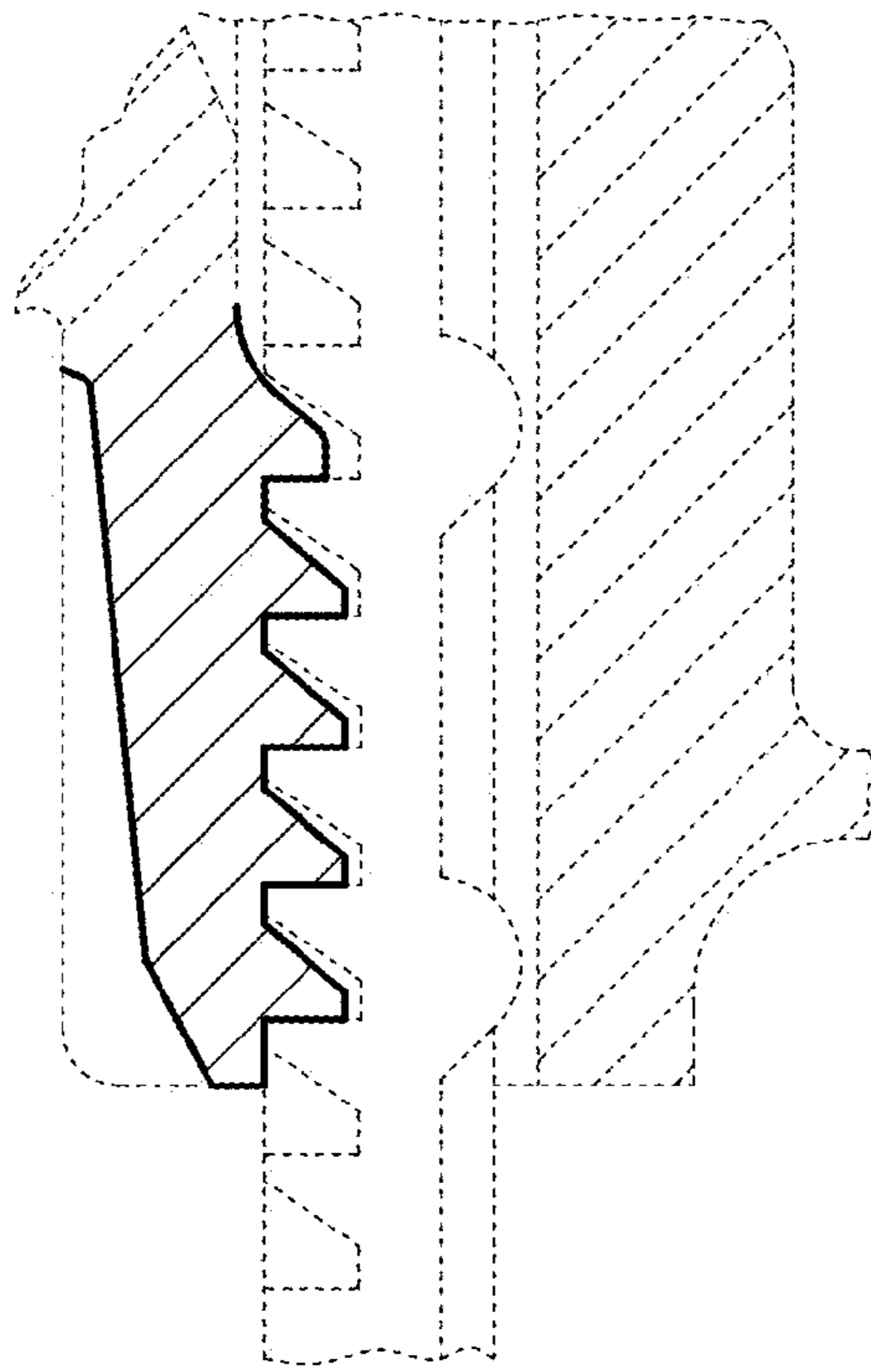


FIG. 57