



US00D729041S

(12) **United States Design Patent**  
**Smith**

(10) **Patent No.:** **US D729,041 S**

(45) **Date of Patent:** **\*\* May 12, 2015**

(54) **TERMINAL OF A HOLDER SYSTEM FOR SUPPORTING MOBILE ELECTRONIC DEVICES AND EXTERNAL ARTICLES**

(71) Applicant: **Mark Smith**, Larkspur, CA (US)

(72) Inventor: **Mark Smith**, Larkspur, CA (US)

(\*\*) Term: **14 Years**

(21) Appl. No.: **29/433,547**

(22) Filed: **Oct. 1, 2012**

(51) **LOC (10) Cl.** ..... **08-05**

(52) **U.S. Cl.**  
USPC ..... **D8/349**; D8/382

(58) **Field of Classification Search**  
USPC ..... D8/349, 354, 382, 383; D11/212;  
D14/217, 251, 253; 24/3.1, 3.12, 3.13;  
248/314; 411/175  
See application file for complete search history.

(56) **References Cited**

**U.S. PATENT DOCUMENTS**

|           |      |         |                  |         |
|-----------|------|---------|------------------|---------|
| 5,244,135 | A *  | 9/1993  | Nelson           | 224/604 |
| D390,191  | S *  | 2/1998  | Byfield, Jr.     | D13/147 |
| 6,056,173 | A *  | 5/2000  | Gillespie        | 224/247 |
| D432,401  | S *  | 10/2000 | Kalbach          | D8/382  |
| 6,539,588 | B1 * | 4/2003  | Brosofsky et al. | 24/3.4  |
| D512,905  | S *  | 12/2005 | Byers            | D8/382  |
| D543,896  | S *  | 6/2007  | Gunnarsson       | D11/212 |
| D556,015  | S *  | 11/2007 | Muchnik          | D8/354  |
| D557,631  | S *  | 12/2007 | Alfone et al.    | D11/212 |
| 7,661,620 | B2 * | 2/2010  | Fields           | 242/379 |
| 7,752,716 | B2 * | 7/2010  | Babasaki         | 24/3.11 |
| D633,375  | S *  | 3/2011  | Jablonka         | D8/382  |
| D641,349  | S *  | 7/2011  | Baumann et al.   | D14/253 |
| 8,087,560 | B2 * | 1/2012  | Crye             | 224/675 |
| 8,141,210 | B2 * | 3/2012  | Colorado         | 24/3.12 |
| D658,038  | S *  | 4/2012  | Ghatikar et al.  | D8/354  |
| D661,620  | S *  | 6/2012  | LeRoux           | D11/220 |

|              |      |         |                  |         |
|--------------|------|---------|------------------|---------|
| D670,996     | S *  | 11/2012 | Rogers           | D8/363  |
| D686,109     | S *  | 7/2013  | Iannello et al.  | D11/218 |
| 8,622,447    | B1 * | 1/2014  | Wirtz            | 294/25  |
| 2011/0289733 | A1 * | 12/2011 | Del Solar et al. | 24/3.12 |
| 2012/0017347 | A1 * | 1/2012  | Strum et al.     | 2/69    |
| 2013/0168519 | A1 * | 7/2013  | In et al.        | 248/314 |
| 2013/0276343 | A1 * | 10/2013 | Peters           | 42/90   |
| 2014/0090209 | A1 * | 4/2014  | Smith            | 24/3.12 |

\* cited by examiner

*Primary Examiner* — Selina Sikder

(74) *Attorney, Agent, or Firm* — Matthew J. Lattig; Charter IP, LLC

(57) **CLAIM**

The ornamental design for a terminal of a holder system for supporting mobile electronic devices and external articles, as shown and described.

**DESCRIPTION**

FIG. 1 is a perspective view of a terminal of a holder system for supporting mobile electronic devices and external articles showing my new design.

FIG. 2 is a top view thereof.

FIG. 3 is a bottom view thereof.

FIG. 4 is a left side view thereof.

FIG. 5 is a right side view thereof.

FIG. 6 is a front view thereof.

FIG. 7 is a rear view thereof.

FIG. 8 is a perspective view of a terminal of a holder system for supporting mobile electronic devices and external articles according to another example embodiment.

FIG. 9 is a top view of FIG. 8.

FIG. 10 is a bottom view of FIG. 8.

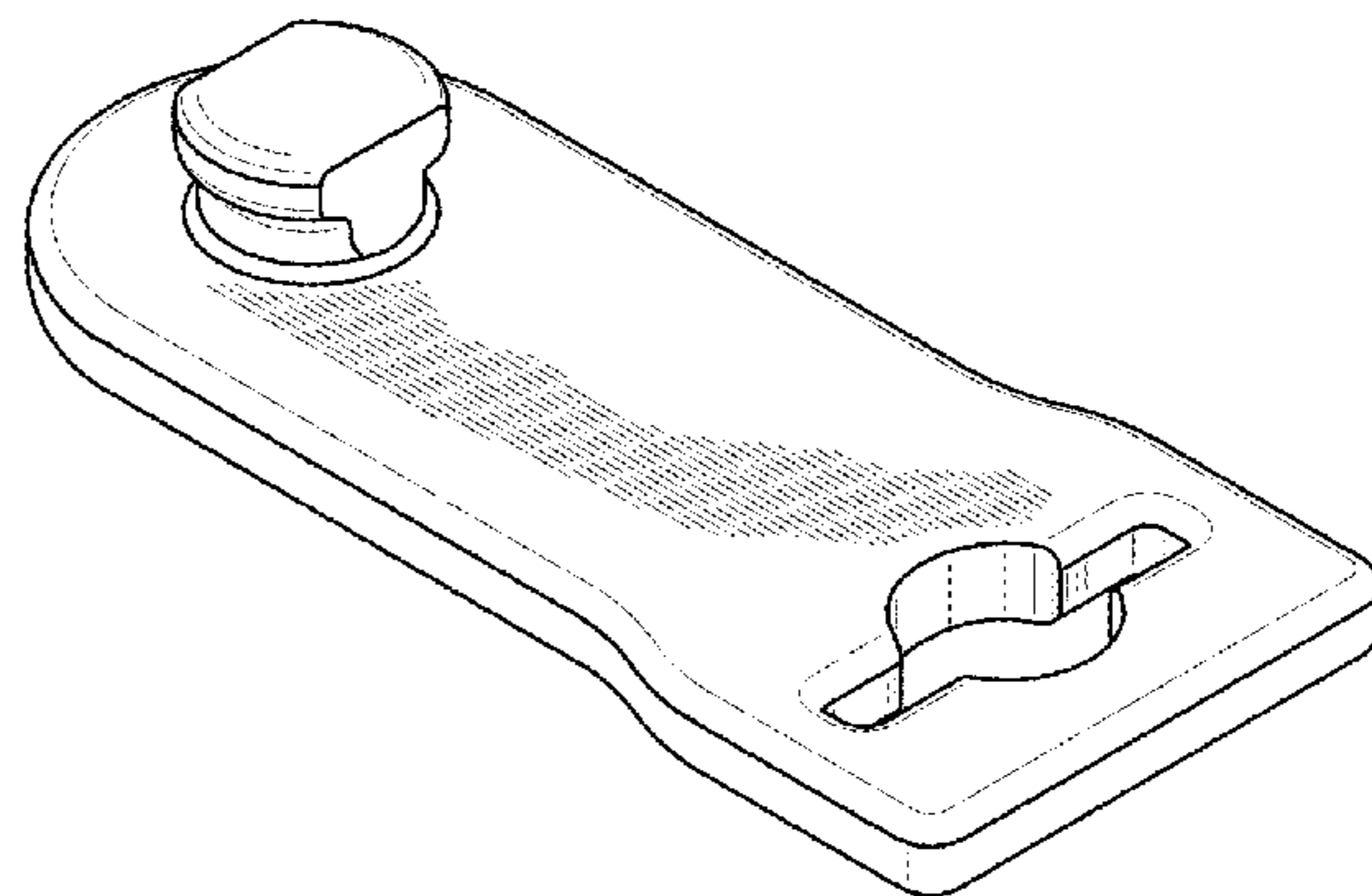
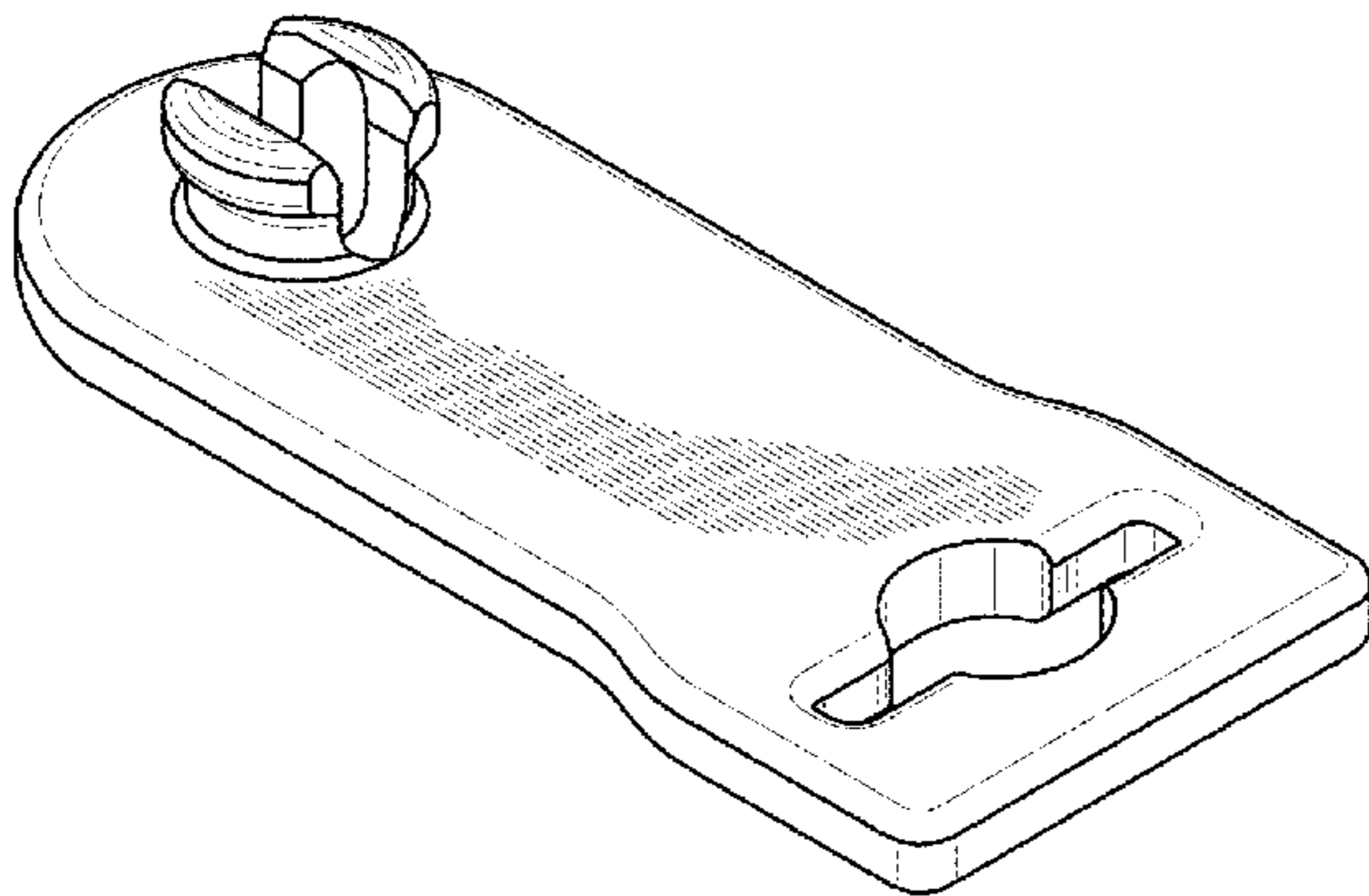
FIG. 11 is a left side view of FIG. 8.

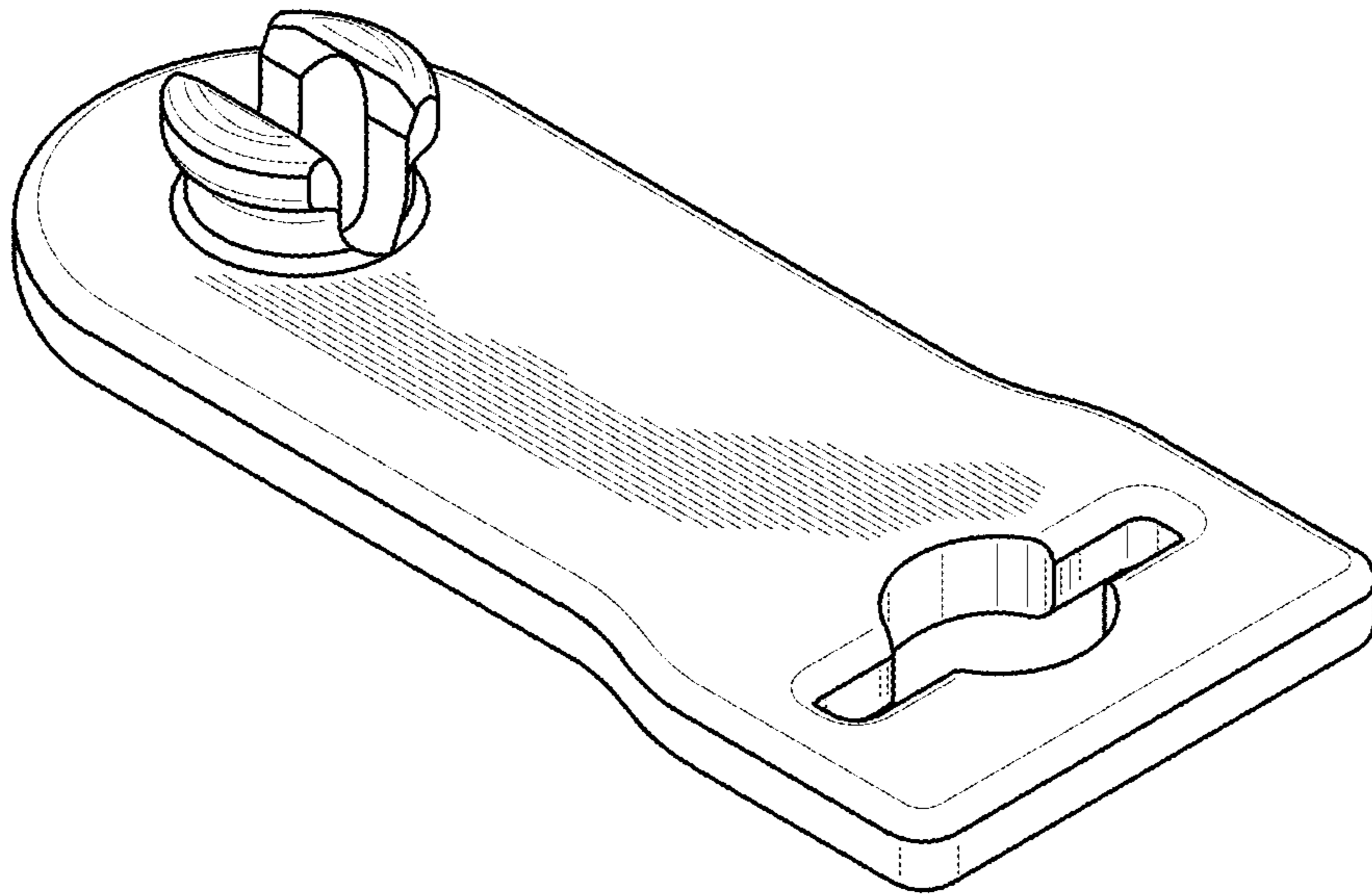
FIG. 12 is a right side view of FIG. 8.

FIG. 13 is a front view of FIG. 8; and,

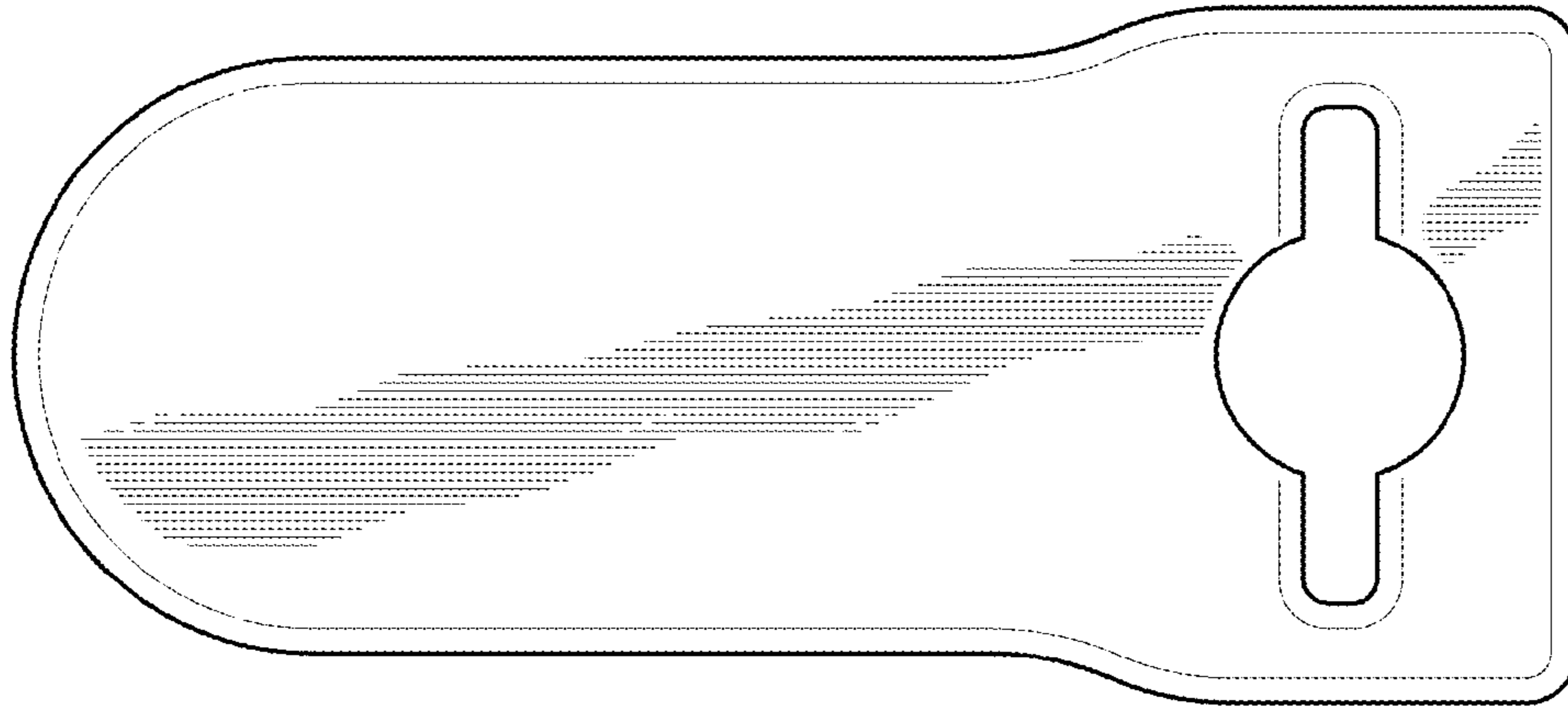
FIG. 14 is a rear view of FIG. 8.

**1 Claim, 6 Drawing Sheets**

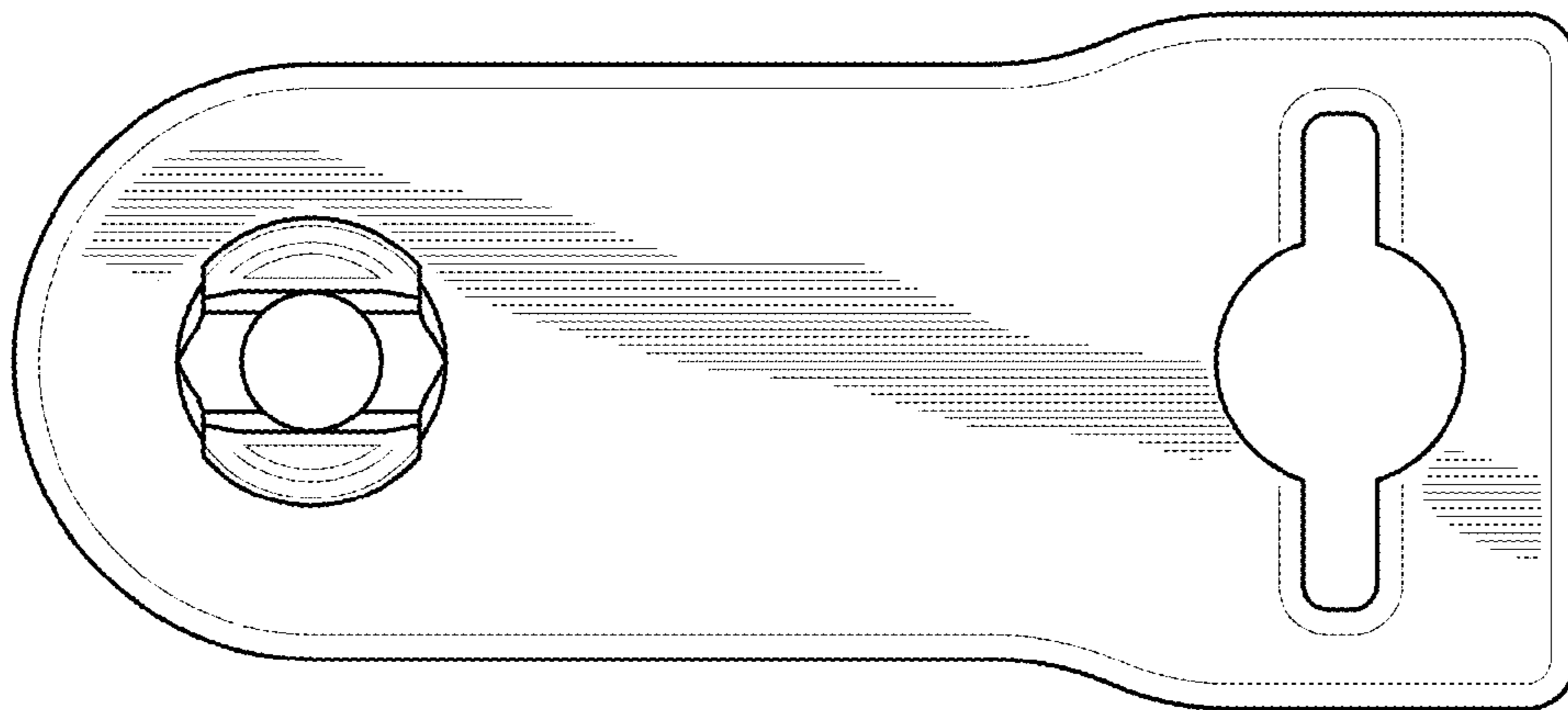




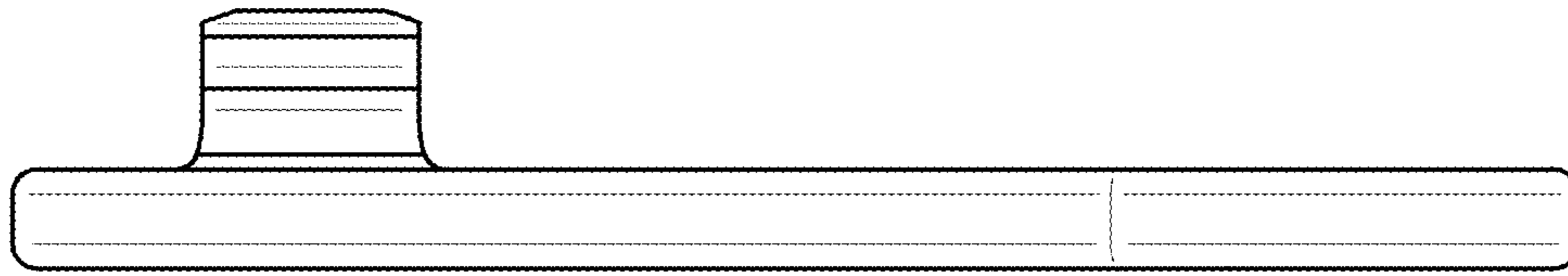
**FIG. 1**



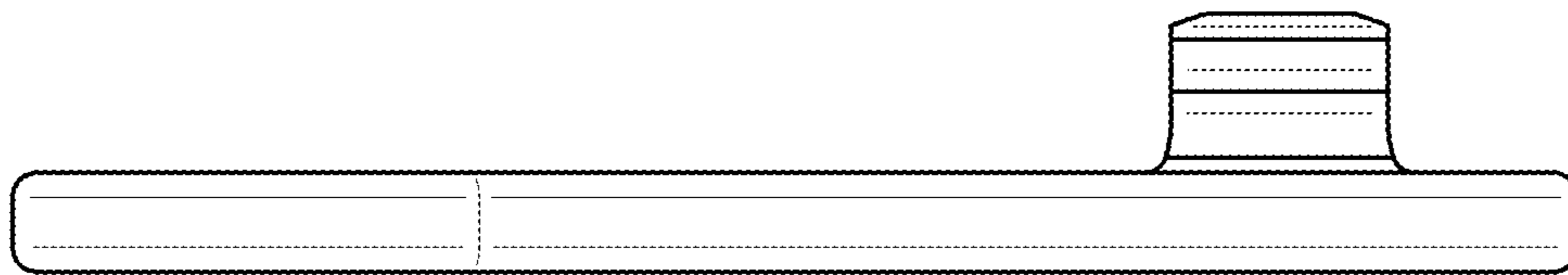
**FIG. 3**



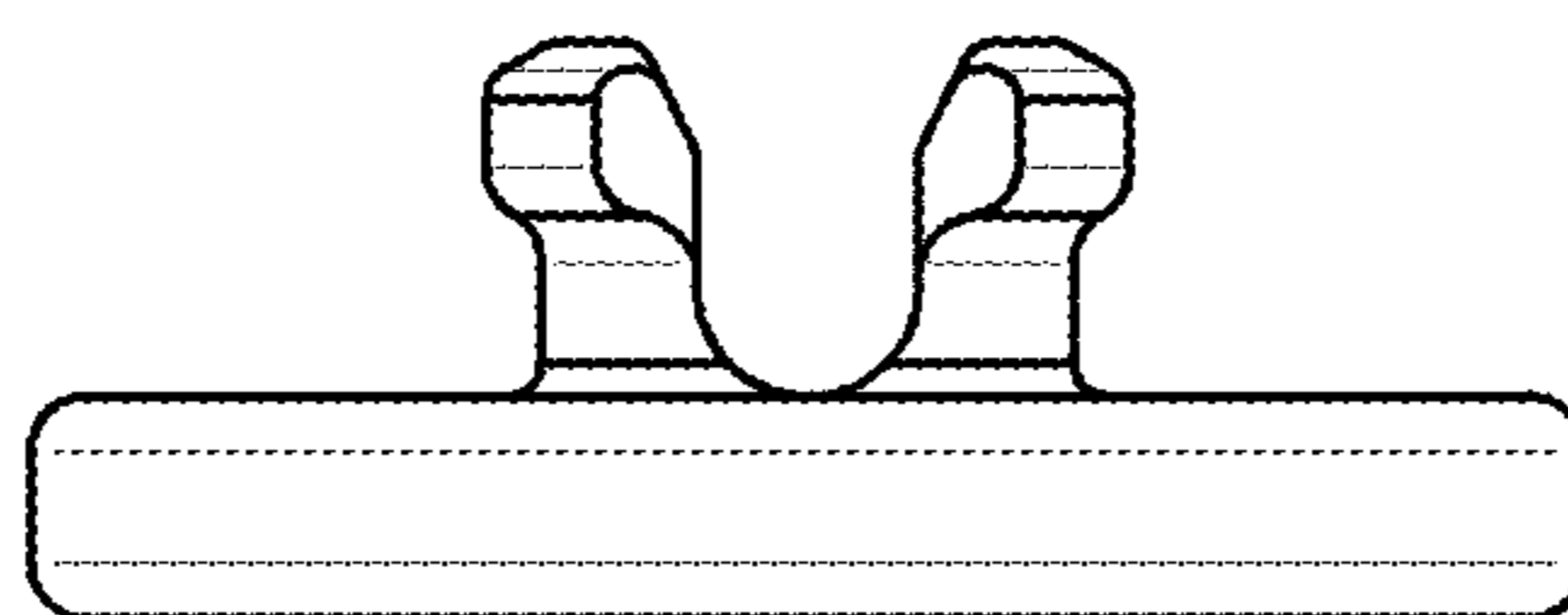
**FIG. 2**



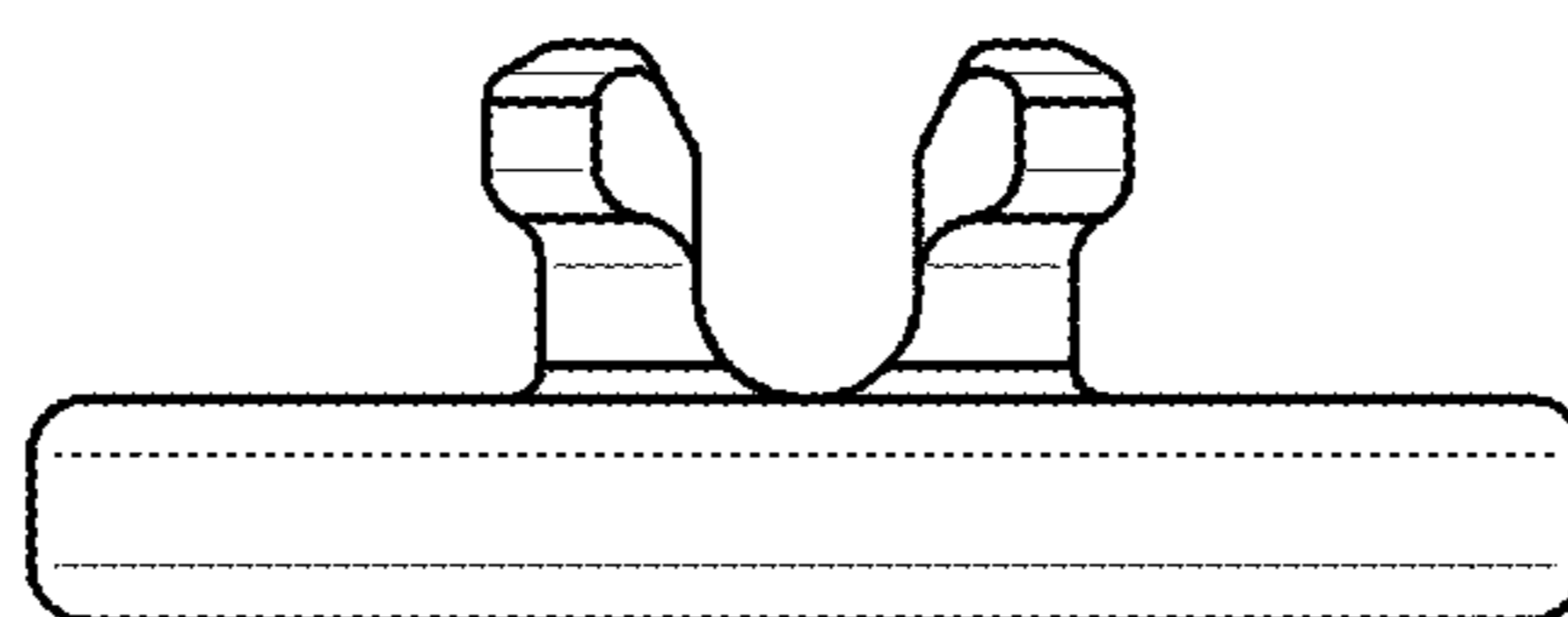
**FIG. 4**



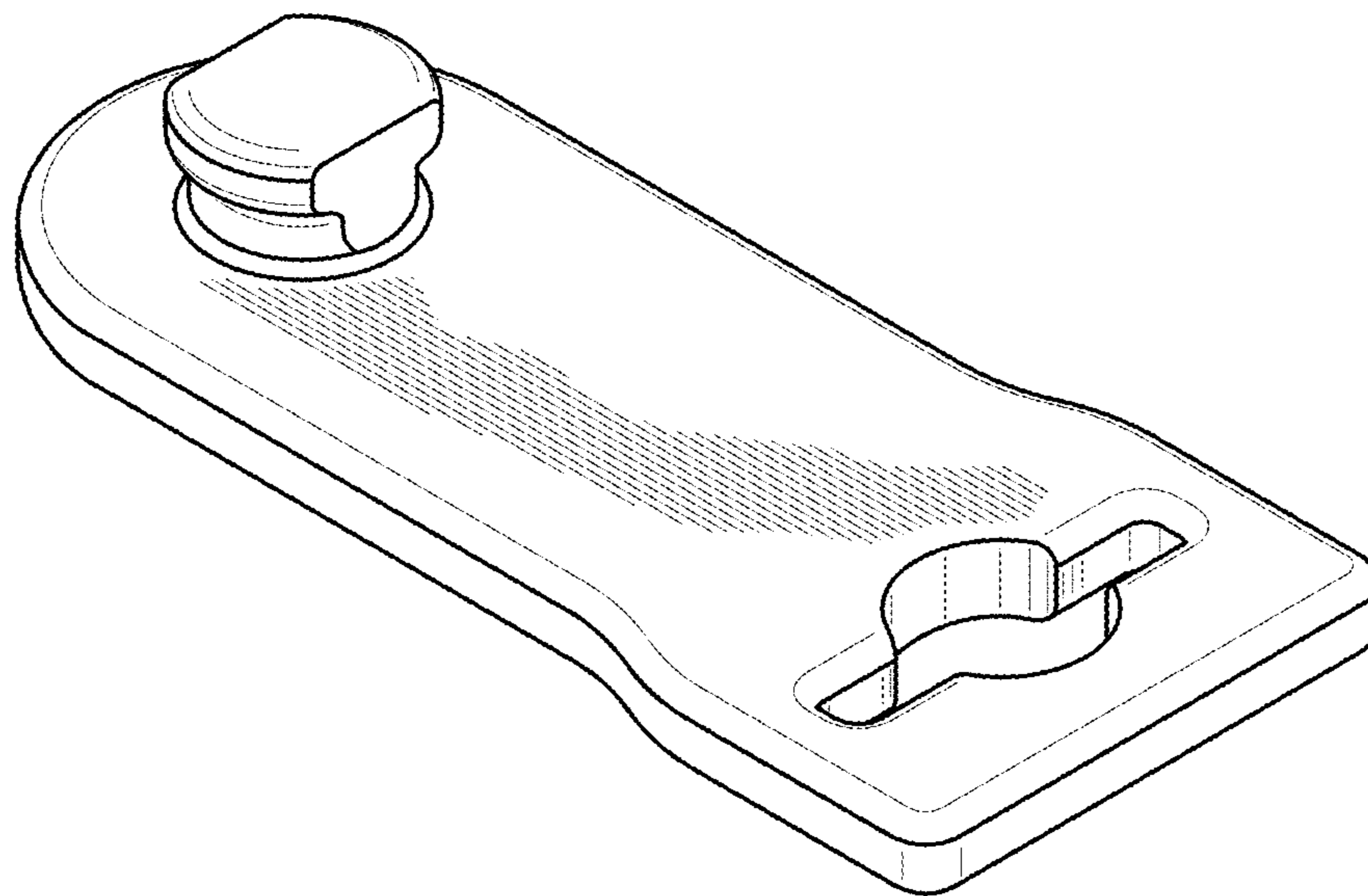
**FIG. 5**



**FIG. 6**

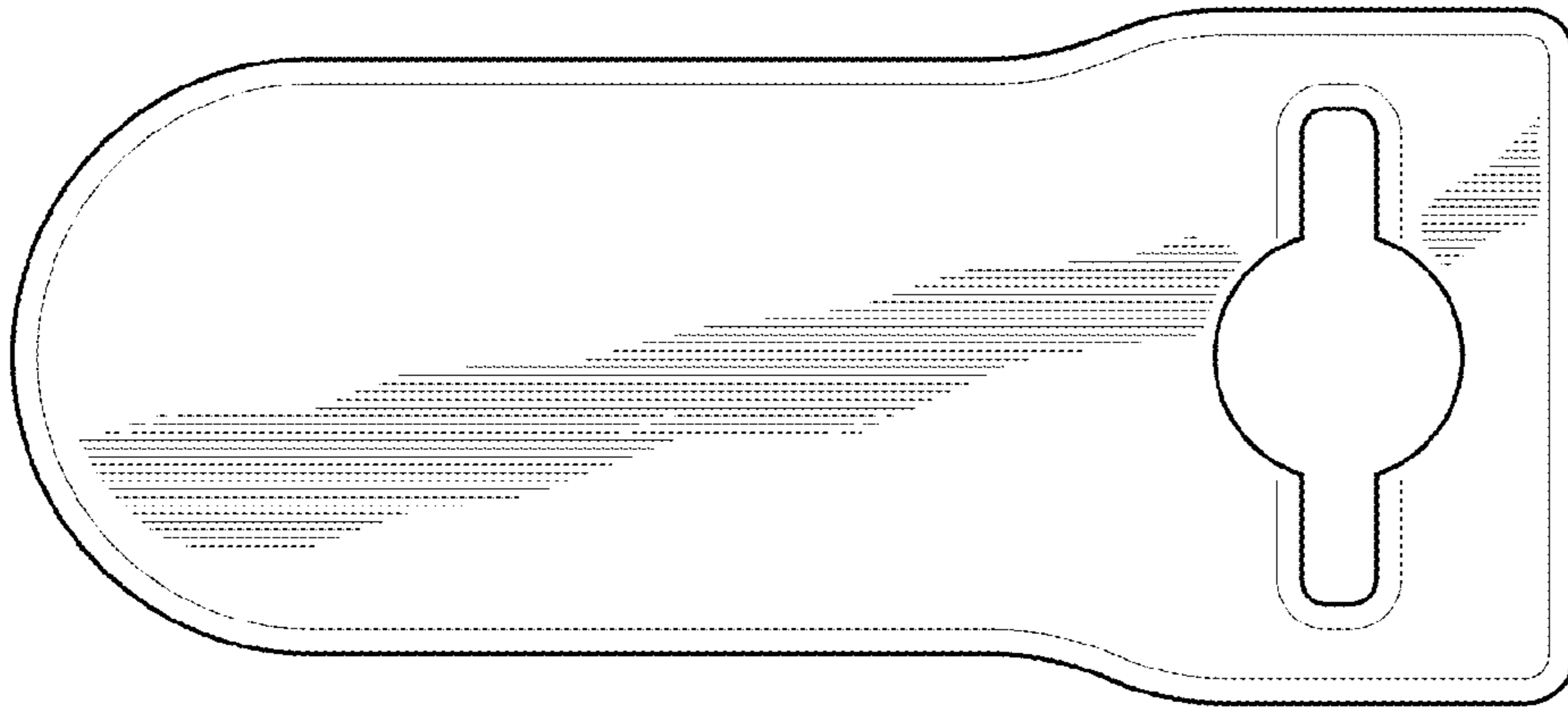


**FIG. 7**

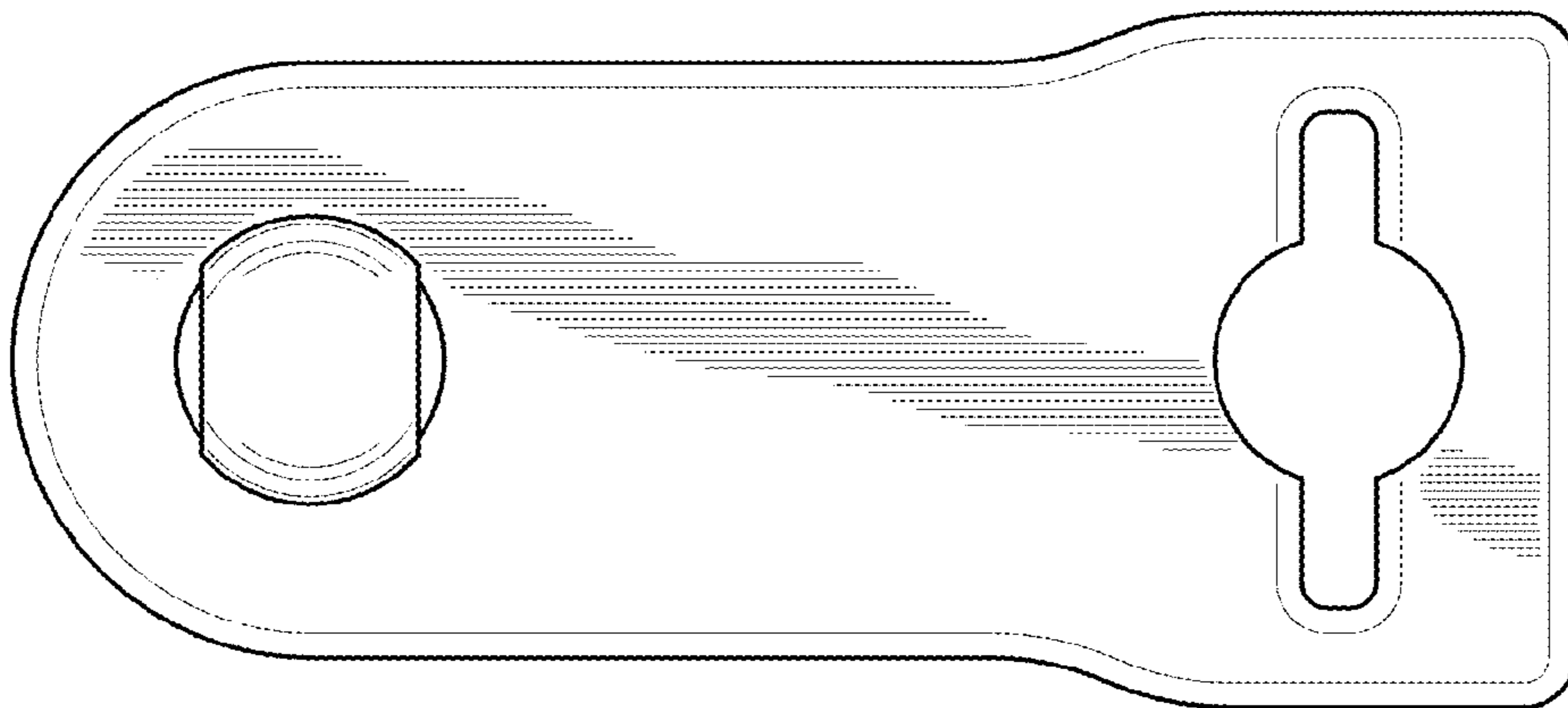


**FIG. 8**

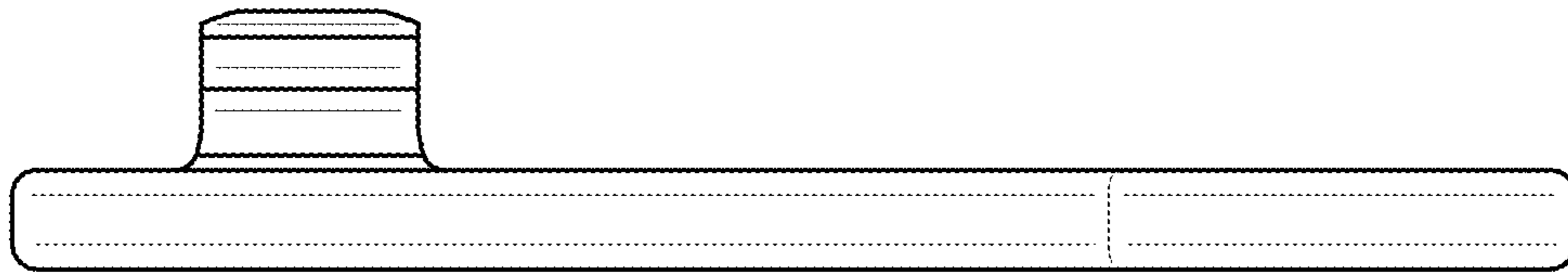




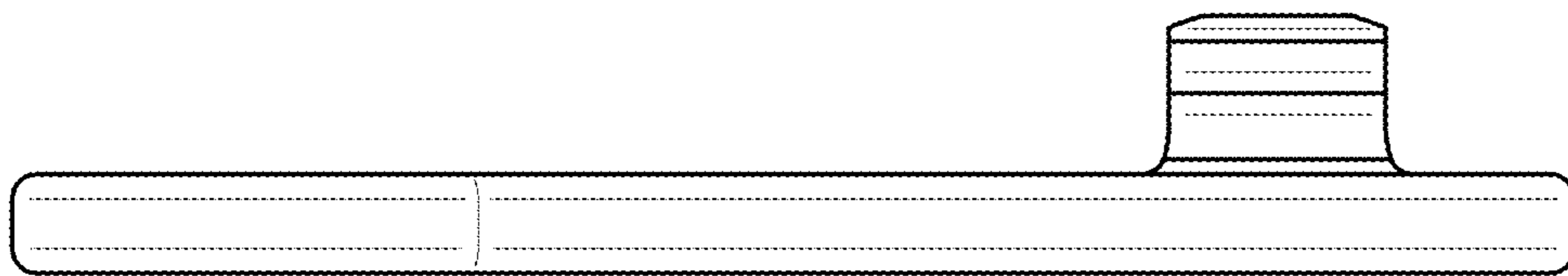
**FIG. 10**



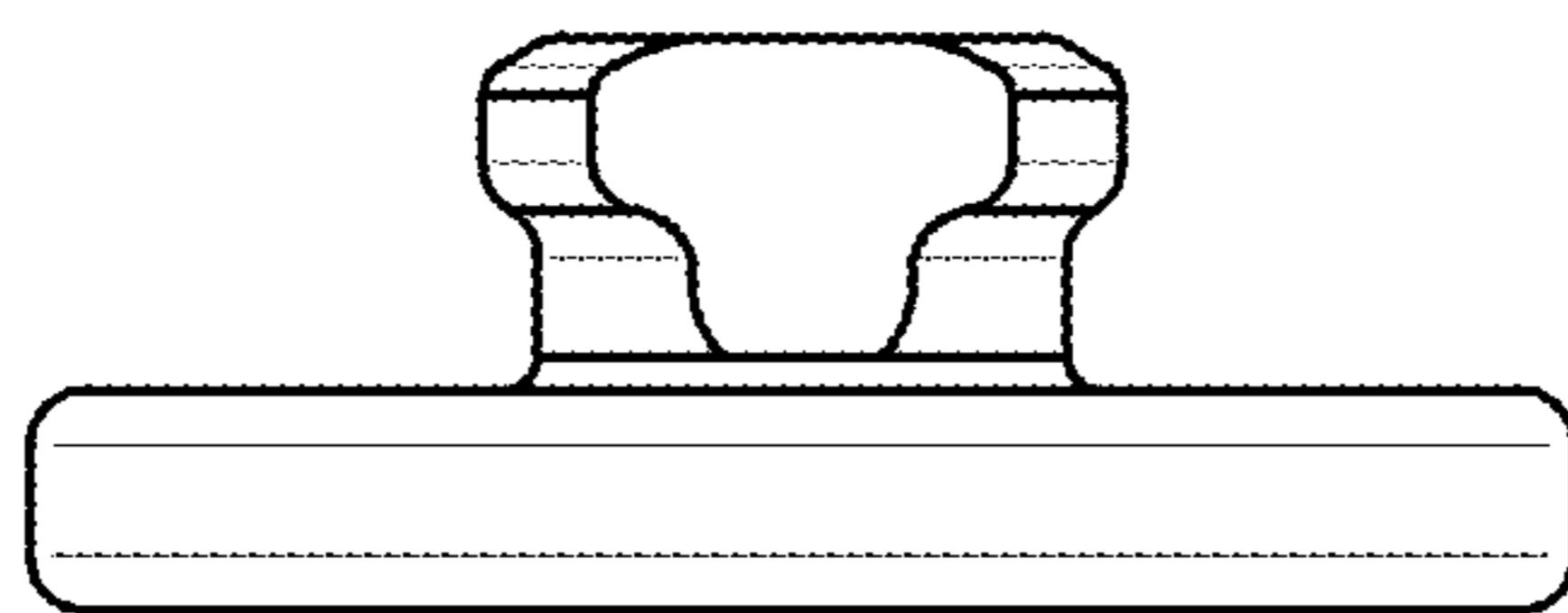
**FIG. 9**



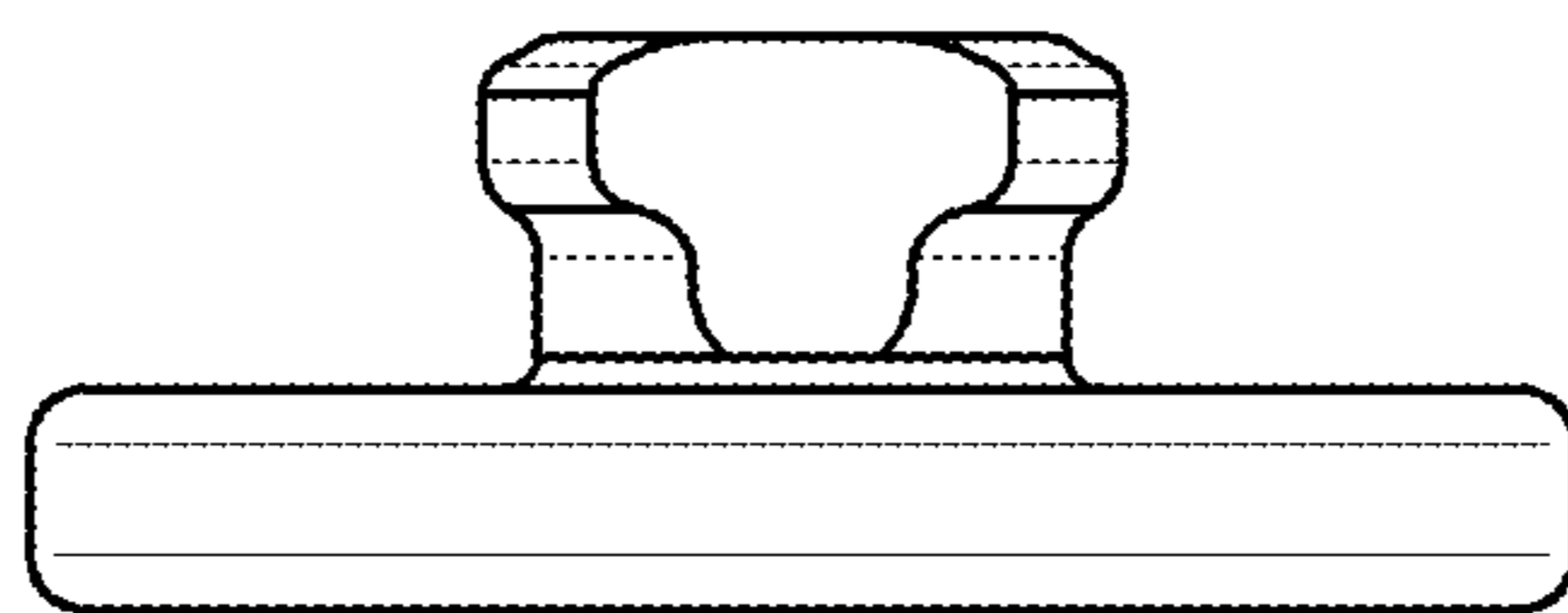
**FIG. 11**



**FIG. 12**



**FIG. 13**



**FIG. 14**