



US00D729040S

(12) **United States Design Patent**  
**Pelini**

(10) **Patent No.:** **US D729,040 S**

(45) **Date of Patent:** **\*\* May 12, 2015**

(54) **DOUBLE JACK PLATE**

(76) Inventor: **Mark F. Pelini**, Valrico, FL (US)

(\*\*) Term: **14 Years**

(21) Appl. No.: **29/429,269**

(22) Filed: **Aug. 8, 2012**

**Related U.S. Application Data**

(63) Continuation-in-part of application No. 13/533,680, filed on Jun. 26, 2012, now Pat. No. 8,657,637.

(51) **LOC (10) Cl.** ..... **08-05**

(52) **U.S. Cl.**  
USPC ..... **D8/349**

(58) **Field of Classification Search**  
USPC ..... D8/300, 303, 336, 349, 350, 353, 354, D8/355, 356, 363, 373, 383; 248/27.1, 248/175, 200, 217.4, 219.1, 251, 300, 302, 248/641, 642; 440/53, 59, 61 E, 61 R, 63, 440/65; D12/162, 223, 317, 400; D15/4

See application file for complete search history.

(56) **References Cited**

**U.S. PATENT DOCUMENTS**

3,403,220	A *	9/1968	Riedel et al.	174/101
4,447,030	A *	5/1984	Nattel	248/27.1
5,076,536	A *	12/1991	Fitzgerald	249/219.1
D372,452	S *	8/1996	Icenogle	D12/317
D391,243	S *	2/1998	Rosen	D14/452
D423,325	S *	4/2000	Liss	D8/349
D532,288	S *	11/2006	Chan-Richter et al.	D8/350

D558,566	S *	1/2008	Ziaylek	D8/373
7,390,231	B1 *	6/2008	Pelini	440/61 E
7,416,459	B1 *	8/2008	Pelini	440/61 R
7,513,810	B1 *	4/2009	Pelini	440/61 R
7,527,539	B1 *	5/2009	Pelini	440/61 R
D606,098	S *	12/2009	Pelini	D15/4
D607,306	S *	1/2010	Muncy et al.	D8/349
D607,900	S *	1/2010	Pelini	D15/4
D612,226	S *	3/2010	Dinh	D8/356
7,731,552	B1 *	6/2010	Pelini	440/53
D622,131	S *	8/2010	Tezak et al.	D8/349
D622,287	S *	8/2010	Pelini	D15/4
D628,459	S *	12/2010	Minkley et al.	D8/349
D650,740	S *	12/2011	Yunoue et al.	D13/119
D656,393	S *	3/2012	Honda	D8/382
D701,364	S *	3/2014	Pelini	D34/31

\* cited by examiner

*Primary Examiner* — Eric Goodman

*Assistant Examiner* — Bao-Yen Nguyen

(74) *Attorney, Agent, or Firm* — Edward P. Dutkiewicz

(57) **CLAIM**

The ornamental design for a double jack plate, as shown and described.

**DESCRIPTION**

FIG. 1 is a rear elevational view of the double jack plate showing my new design;

FIG. 2 is a front elevational view;

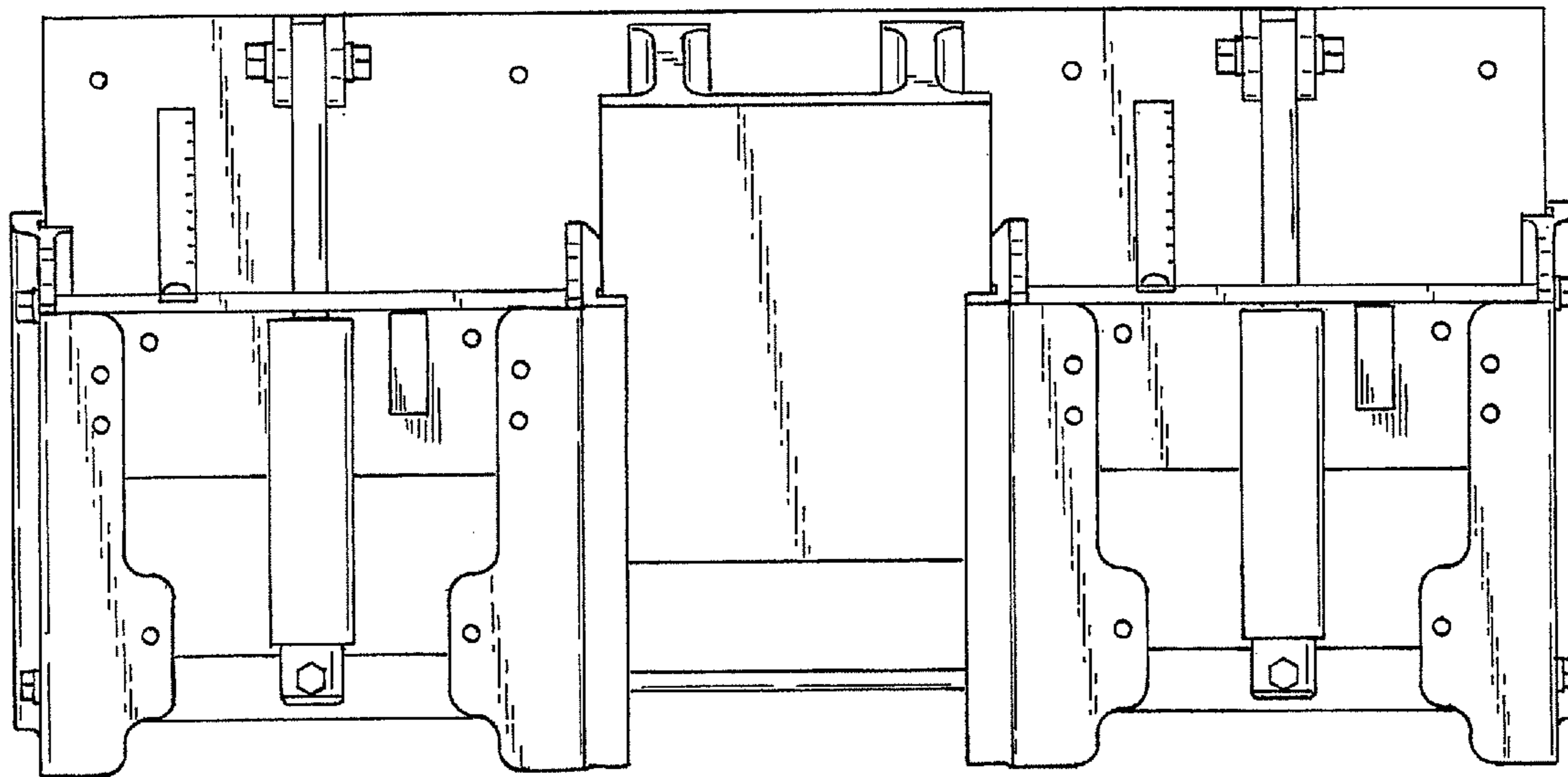
FIG. 3 is the left side elevational view;

FIG. 4 is the right side elevational view;

FIG. 5 is a top plan view; and,

FIG. 6 is a bottom plan view.

**1 Claim, 4 Drawing Sheets**



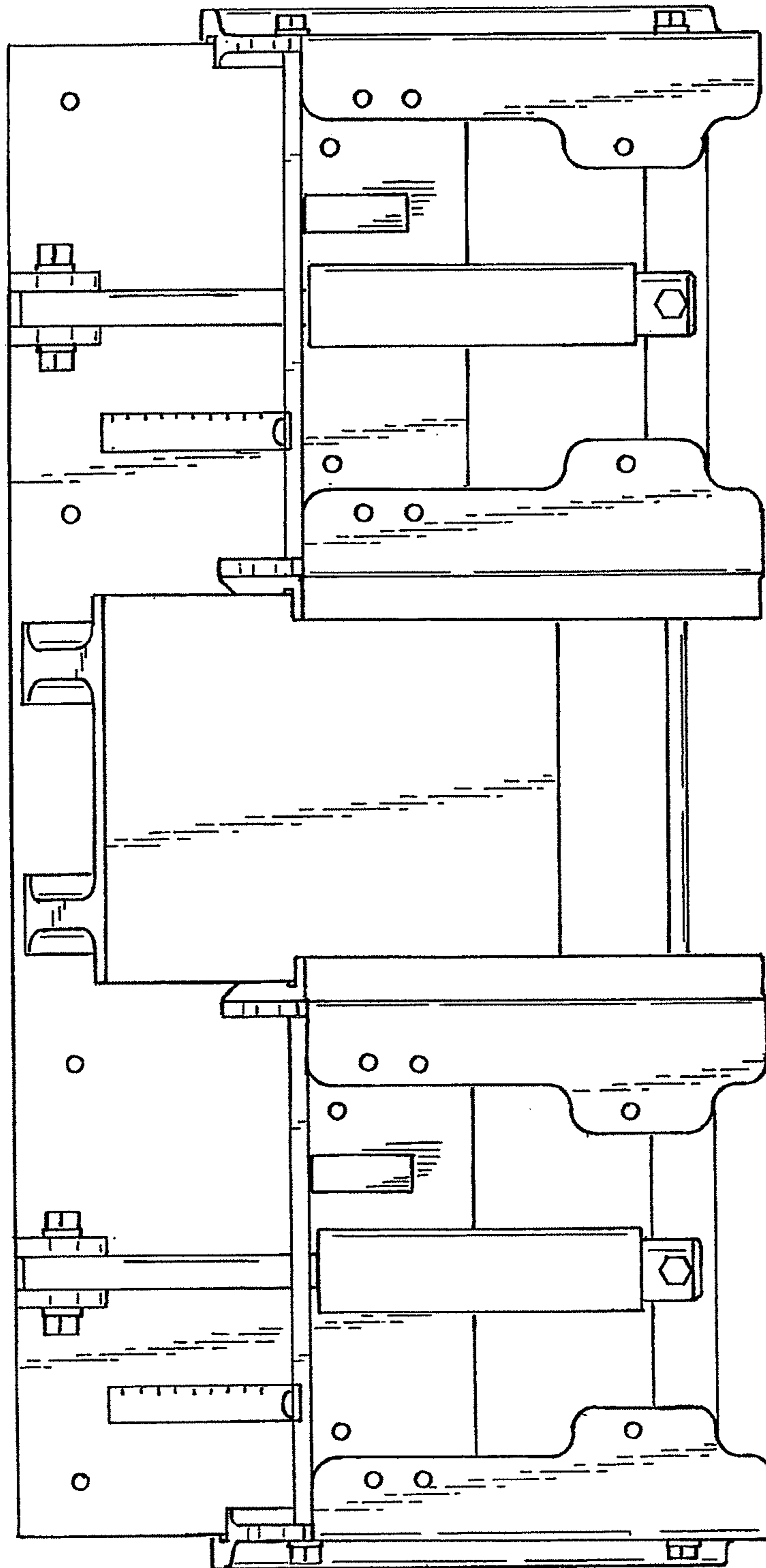


FIG. 1

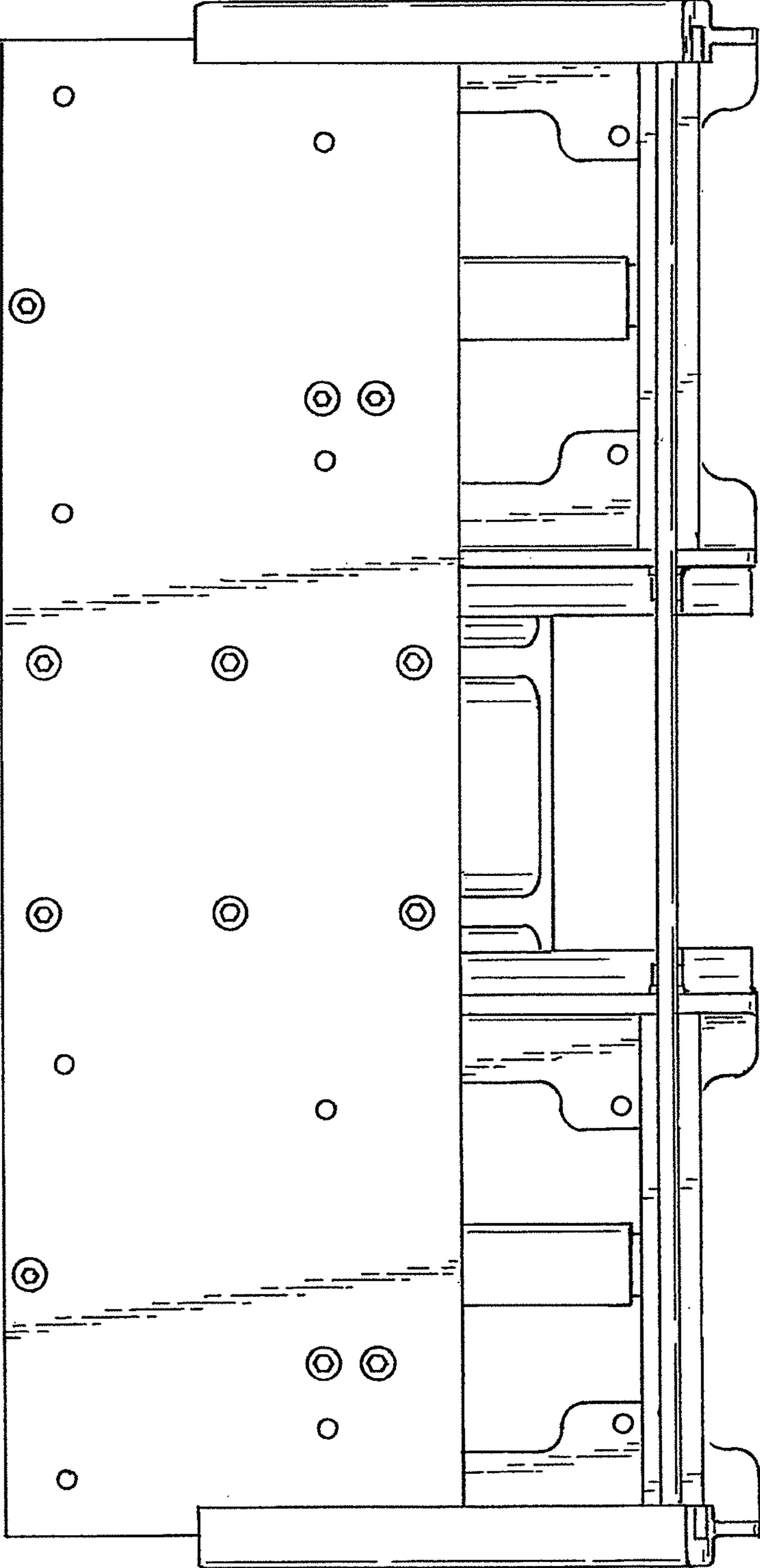


FIG. 2

FIG. 3

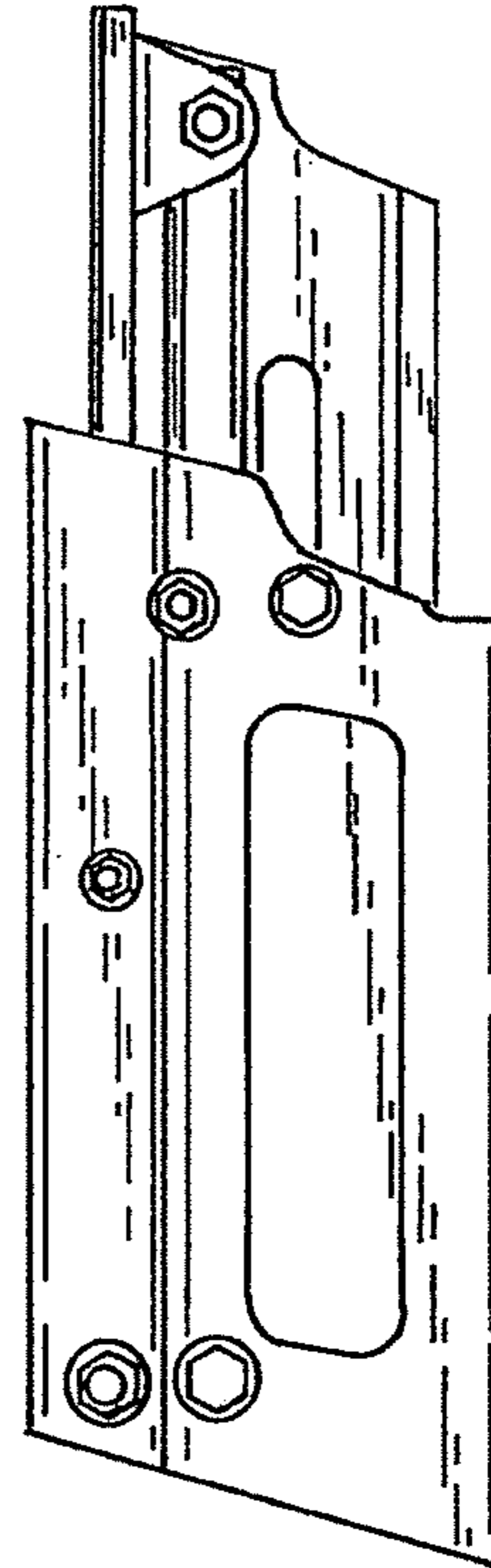
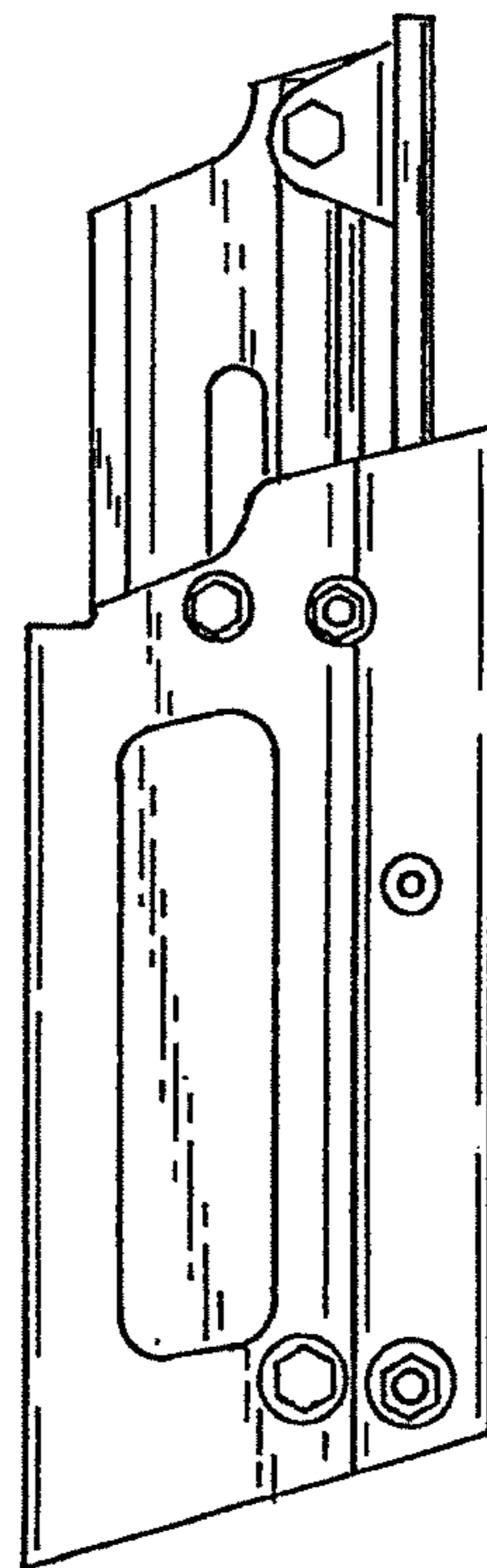


FIG. 4





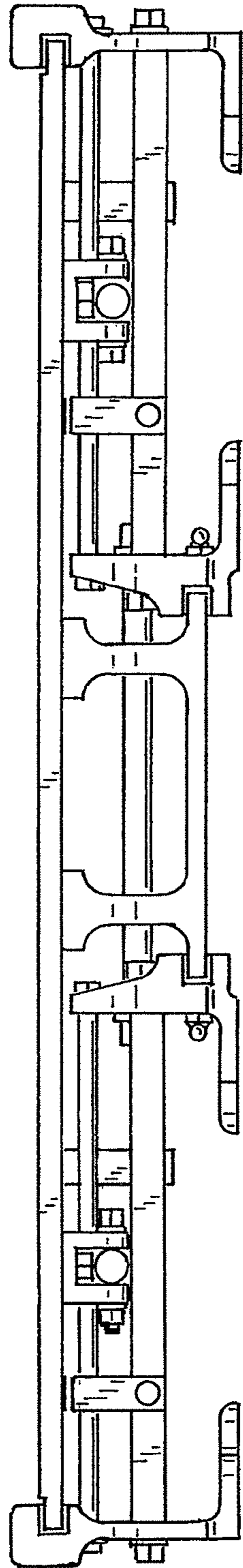


FIG. 5

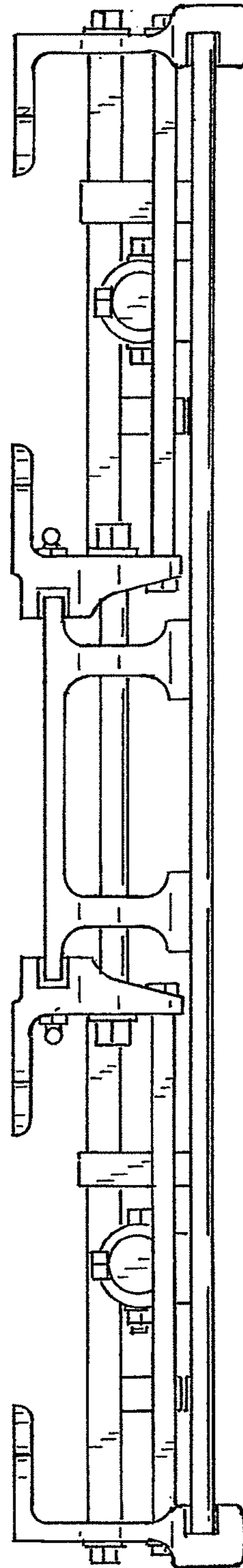


FIG. 6