



US00D729037S

(12) **United States Design Patent**  
**Zimmer**

(10) **Patent No.:** **US D729,037 S**

(45) **Date of Patent:** **\*\* May 12, 2015**

(54) **CABINET HANDLE**

(71) Applicant: **Hardware Resources, Inc.**, Bossier  
City, LA (US)

(72) Inventor: **Christine Zimmer**, Hillsborough, NJ  
(US)

(73) Assignee: **Hardware Resources, Inc.**, Bossier  
City, LA (US)

(\*\*) Term: **14 Years**

(21) Appl. No.: **29/493,164**

(22) Filed: **Jun. 5, 2014**

(51) **LOC (10) Cl.** ..... **08-06**

(52) **U.S. Cl.**  
USPC ..... **D8/316**

(58) **Field of Classification Search**  
USPC ..... D8/305, 313, 315-320, DIG. 1;  
D23/250, 254, 303, 304, 305; D99/11;  
D6/546, 549; D7/393, 394; 16/110.1,  
16/412, 415

See application file for complete search history.

(56) **References Cited**

U.S. PATENT DOCUMENTS

D333,082	S	*	2/1993	Bocade et al.	.....	D8/317
D343,108	S	*	1/1994	Fulton	.....	D8/315
D568,142	S	*	5/2008	Zhang et al.	.....	D8/320
D629,667	S	*	12/2010	Koskela	.....	D8/315
D648,613	S	*	11/2011	Ortiz-Ochoa	.....	D8/316
D661,972	S	*	6/2012	Han	.....	D8/316

\* cited by examiner

*Primary Examiner* — Derrick Holland

*Assistant Examiner* — Lauren Calve

(74) *Attorney, Agent, or Firm* — Schultz & Associates, P.C.

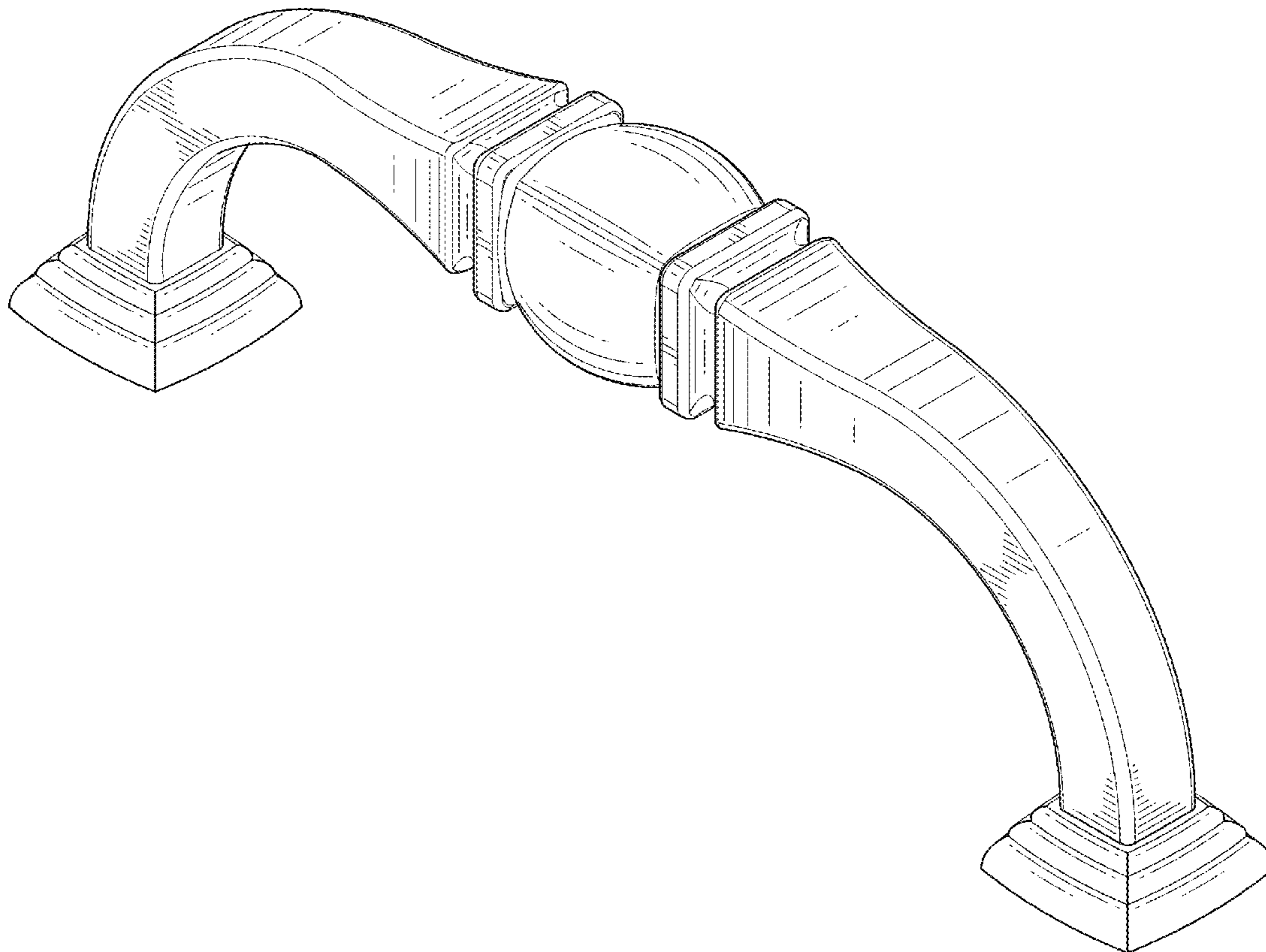
(57) **CLAIM**

The ornamental design for a cabinet handle, as shown and described.

**DESCRIPTION**

FIG. 1 is a perspective view of a cabinet handle showing my new design;  
FIG. 2 is a side elevation view thereof;  
FIG. 3 is a second side elevation view thereof;  
FIG. 4 is a top plan view thereof; and,  
FIG. 5 is a bottom plan view thereof.  
The broken lines shown represent unclaimed subject matter and form no part of the claimed design.

**1 Claim, 3 Drawing Sheets**



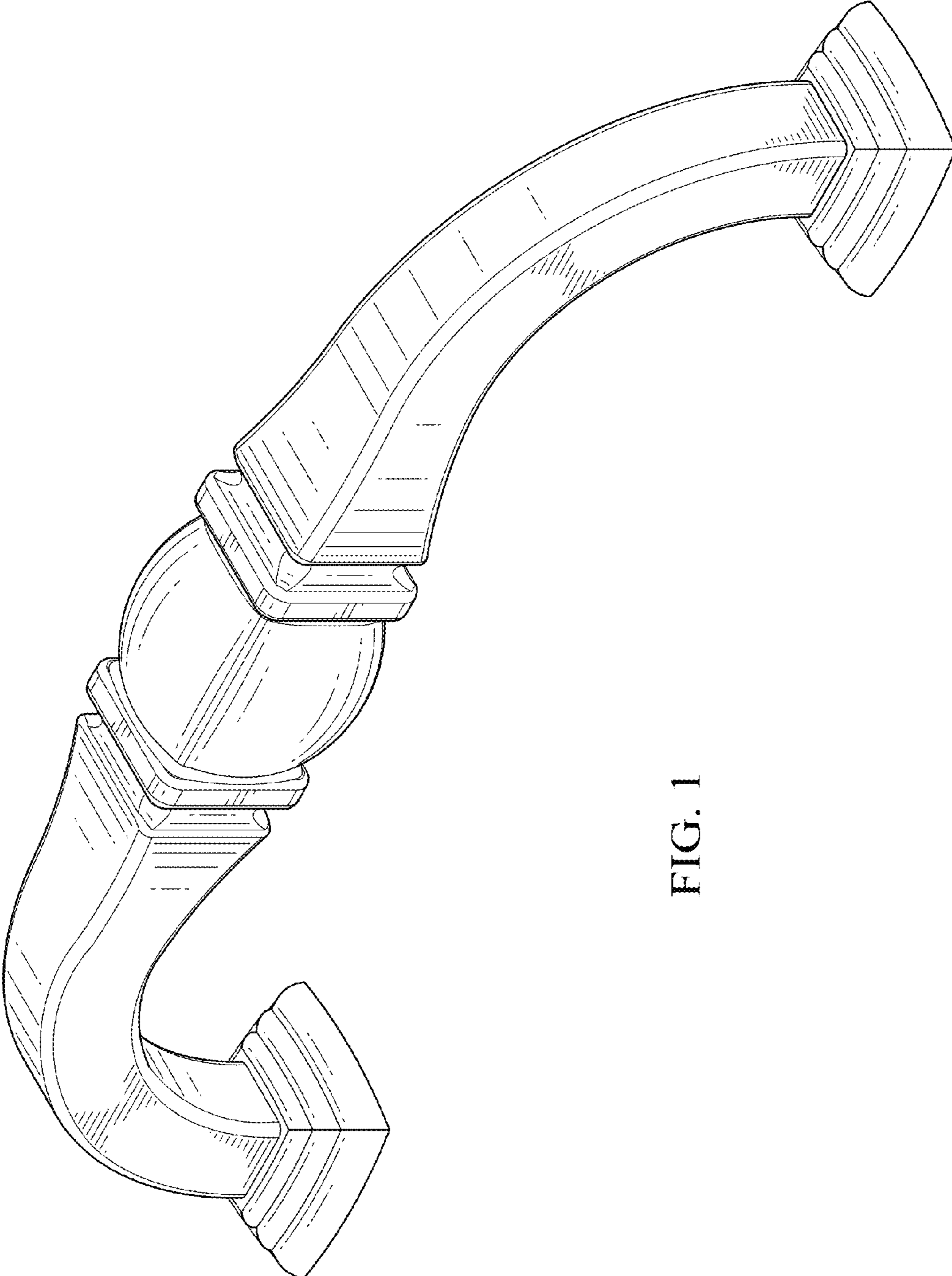


FIG. 1

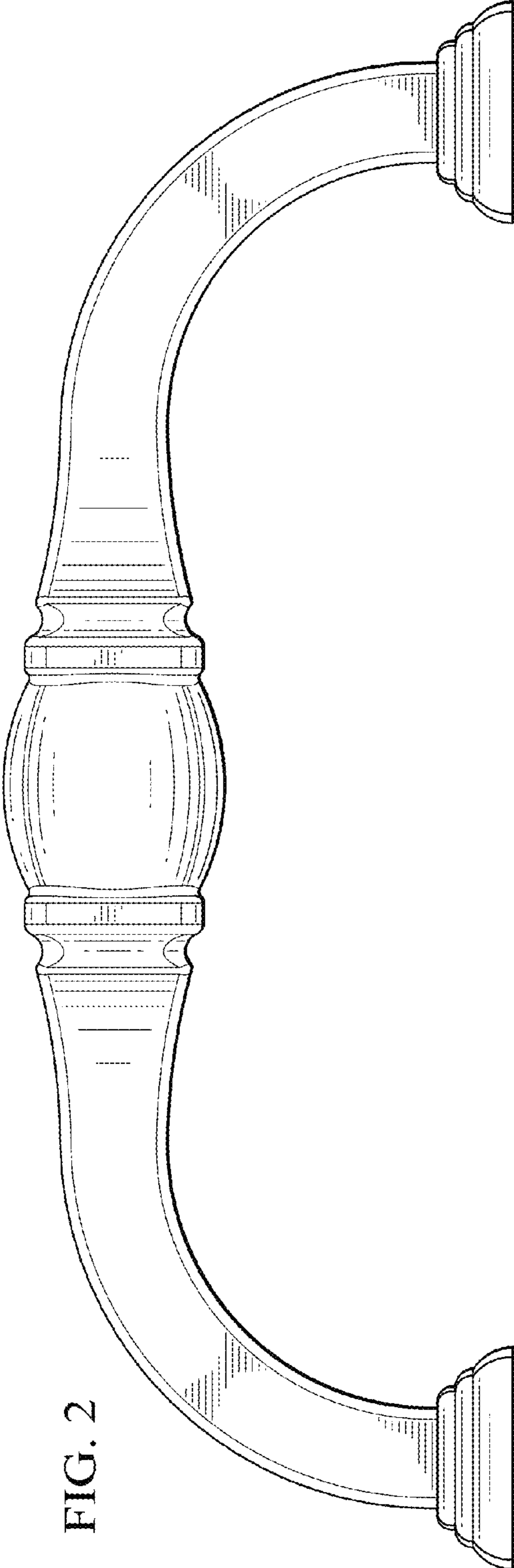


FIG. 2

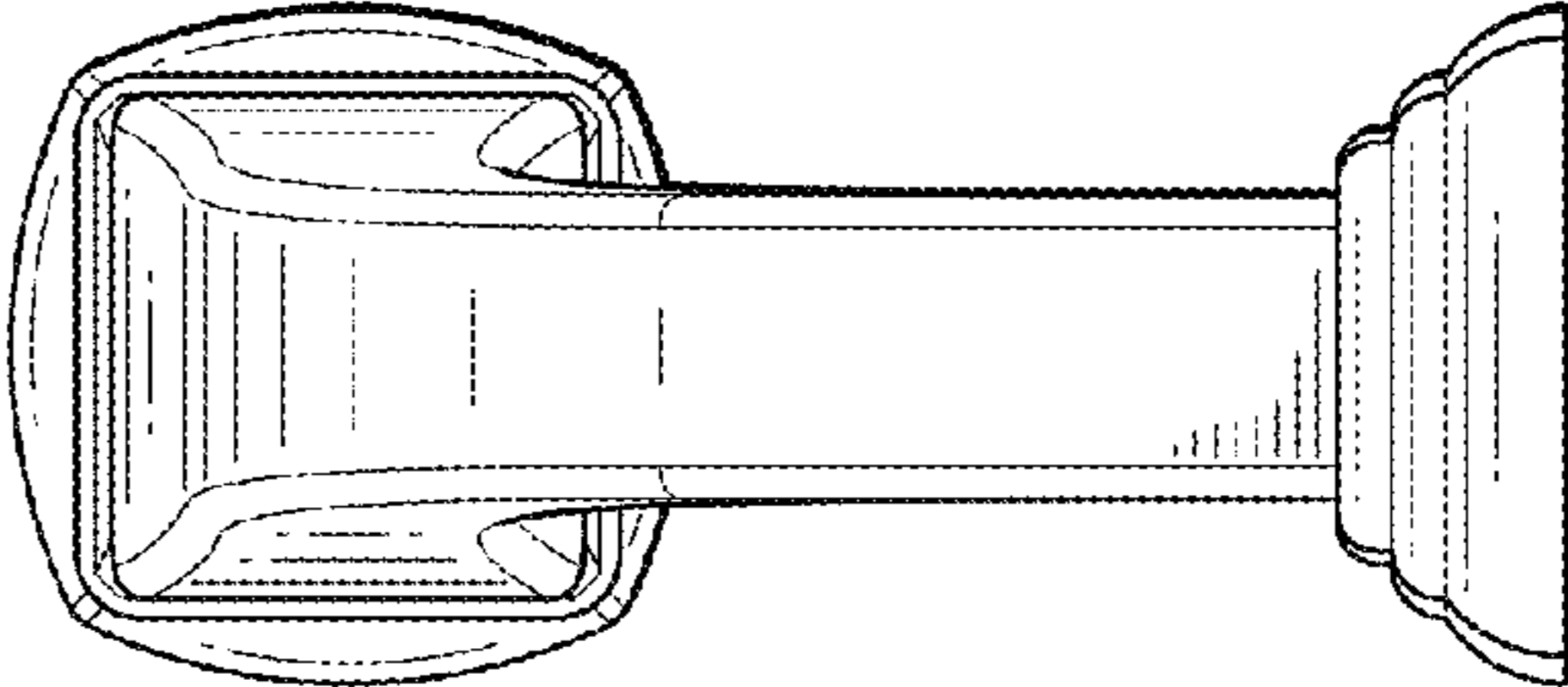


FIG. 3

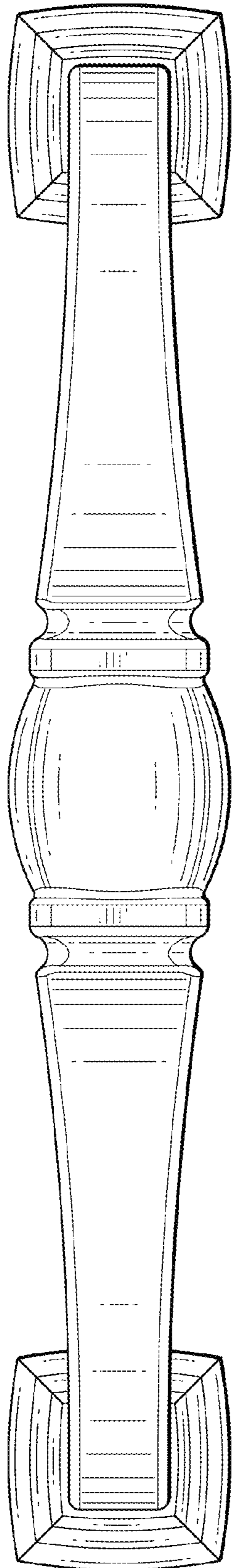


FIG. 4

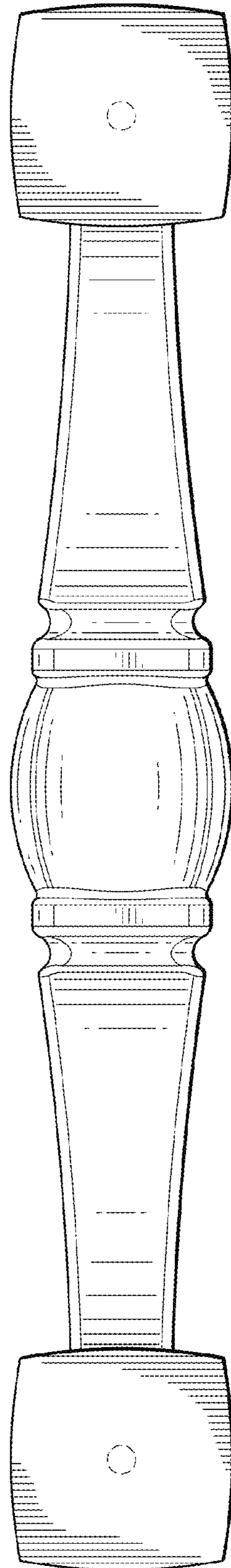


FIG. 5