



US00D729036S

(12) **United States Design Patent**  
**Han**

(10) **Patent No.:** **US D729,036 S**

(45) **Date of Patent:** **\*\* May 12, 2015**

(54) **CABINET HANDLE**

(71) Applicant: **Hardware Resources, Inc.**, Bossier City, LA (US)

(72) Inventor: **Kukjin Han**, High Point, NC (US)

(73) Assignee: **Hardware Resources, Inc.**, Bossier City, LA (US)

(\*\*) Term: **14 Years**

(21) Appl. No.: **29/493,162**

(22) Filed: **Jun. 5, 2014**

(51) **LOC (10) Cl.** ..... **08-06**

(52) **U.S. Cl.**  
USPC ..... **D8/316**

(58) **Field of Classification Search**  
USPC ..... D8/305, 313, 315-320, DIG. 1;  
D23/250, 254, 303, 304, 305; D99/11;  
D6/546, 549; D7/393, 394; 16/110.1,  
16/412, 415  
See application file for complete search history.

(56) **References Cited**

**U.S. PATENT DOCUMENTS**

D130,321 S \* 11/1941 Borchers ..... D8/316  
D205,349 S \* 7/1966 Clayton ..... D8/316

D561,557 S \* 2/2008 McConnell ..... D8/316  
D587,982 S \* 3/2009 Mattson et al. .... D8/317  
D635,005 S \* 3/2011 McConnell ..... D8/316  
D642,445 S \* 8/2011 Roe et al. .... D8/317  
D649,005 S \* 11/2011 Roe et al. .... D8/316  
D679,568 S \* 4/2013 Ramsland et al. .... D8/317  
D679,569 S \* 4/2013 Ramsland et al. .... D8/317

\* cited by examiner

*Primary Examiner* — Derrick Holland

*Assistant Examiner* — Lauren Calve

(74) *Attorney, Agent, or Firm* — Schultz & Associates, P.C.

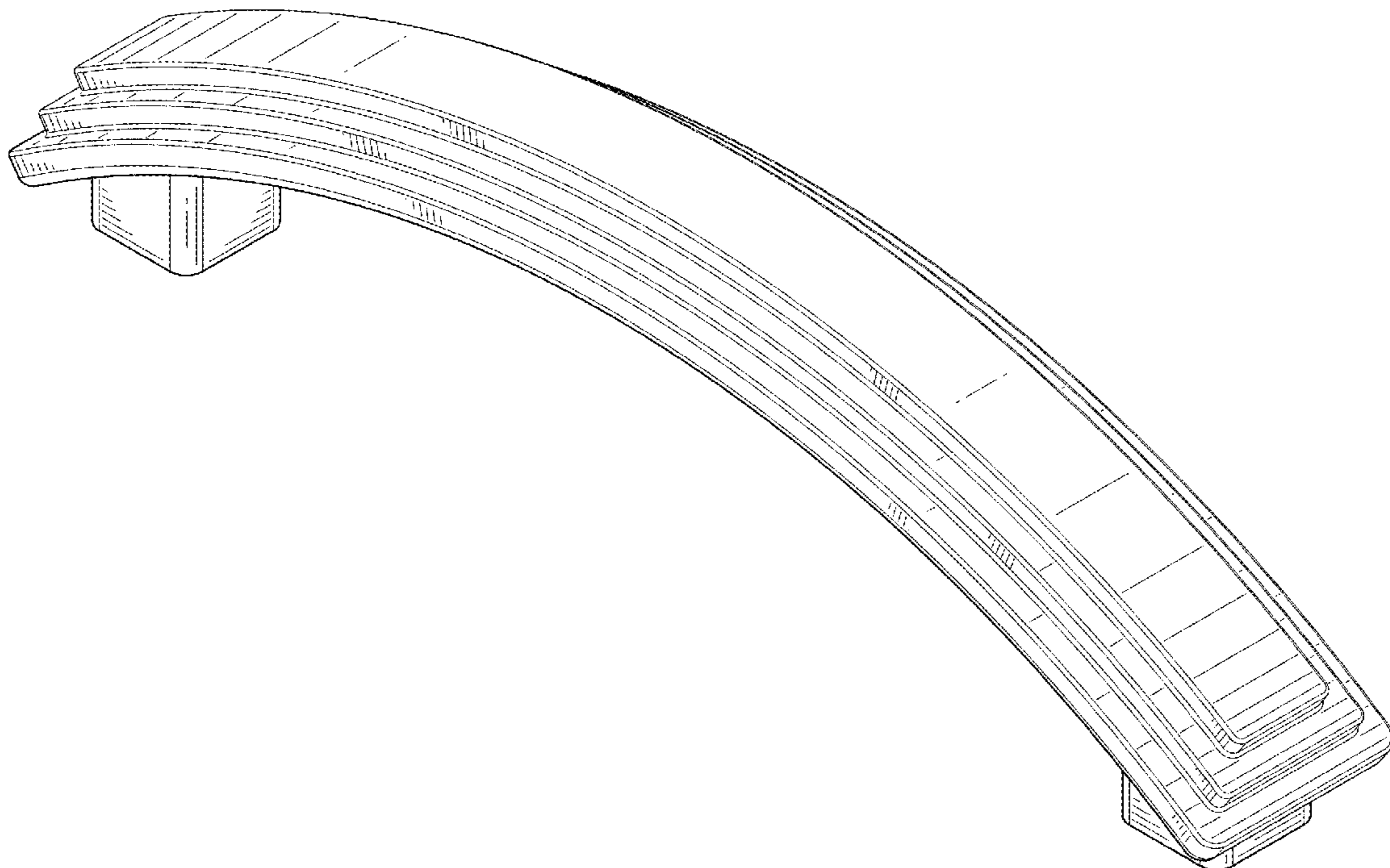
(57) **CLAIM**

The ornamental design for a cabinet handle, as shown and described.

**DESCRIPTION**

FIG. 1 is a perspective view of a cabinet handle showing my new design;  
FIG. 2 is a side elevation view thereof;  
FIG. 3 is a second side elevation view thereof;  
FIG. 4 is a top plan view thereof; and,  
FIG. 5 is a bottom plan view thereof.  
The broken lines shown represent unclaimed subject matter and form no part of the claimed design.

**1 Claim, 3 Drawing Sheets**



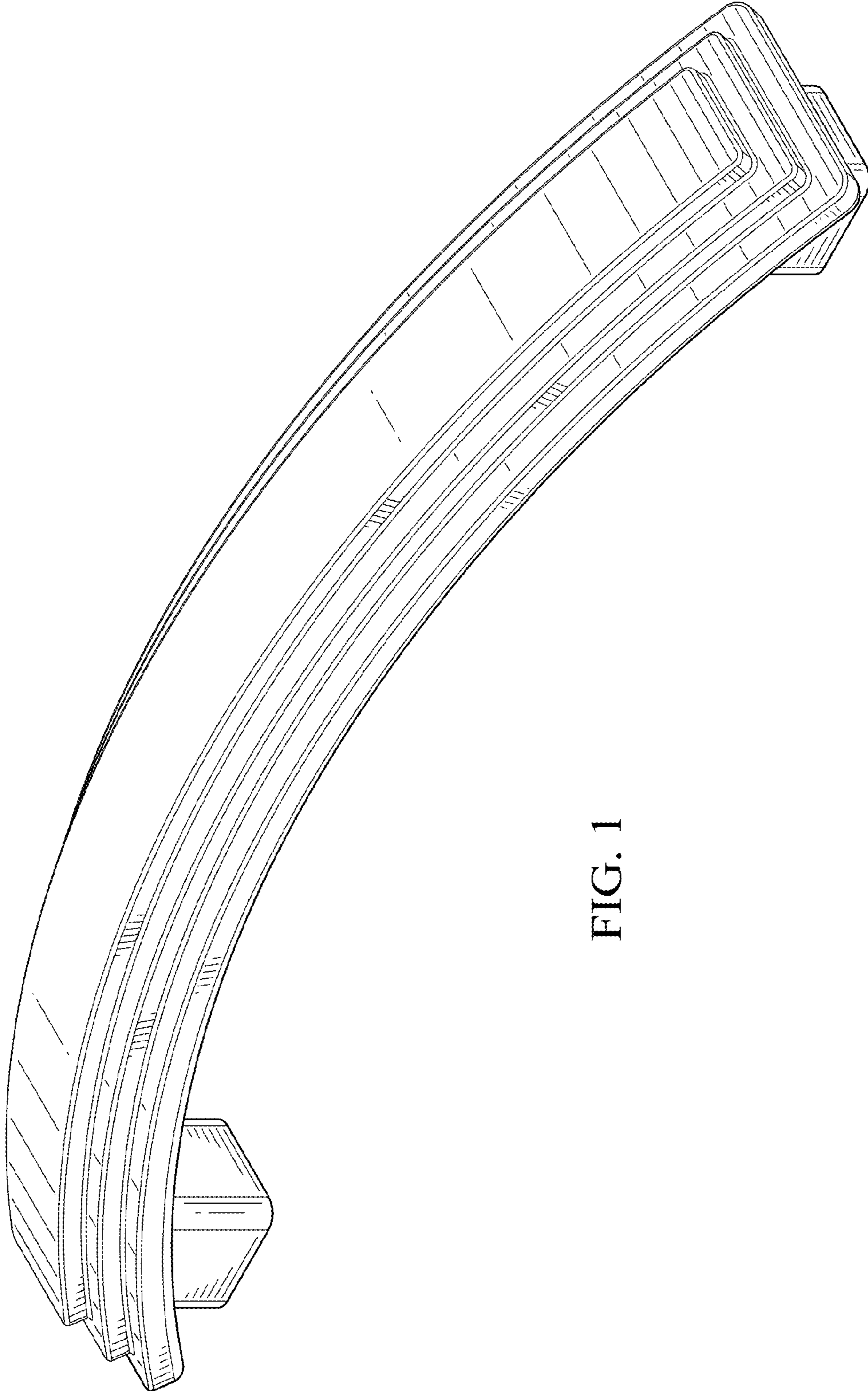


FIG. 1

FIG. 2

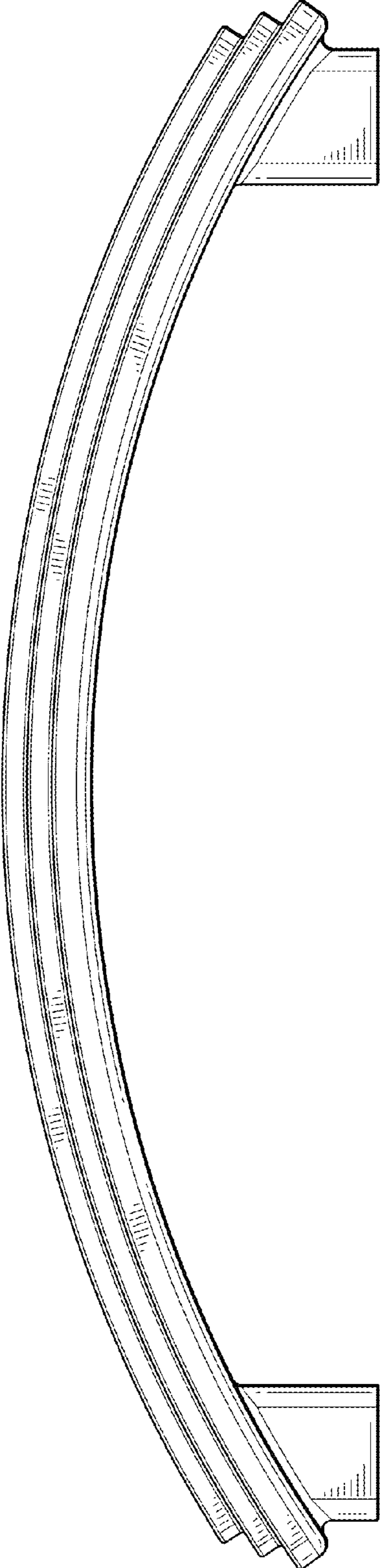
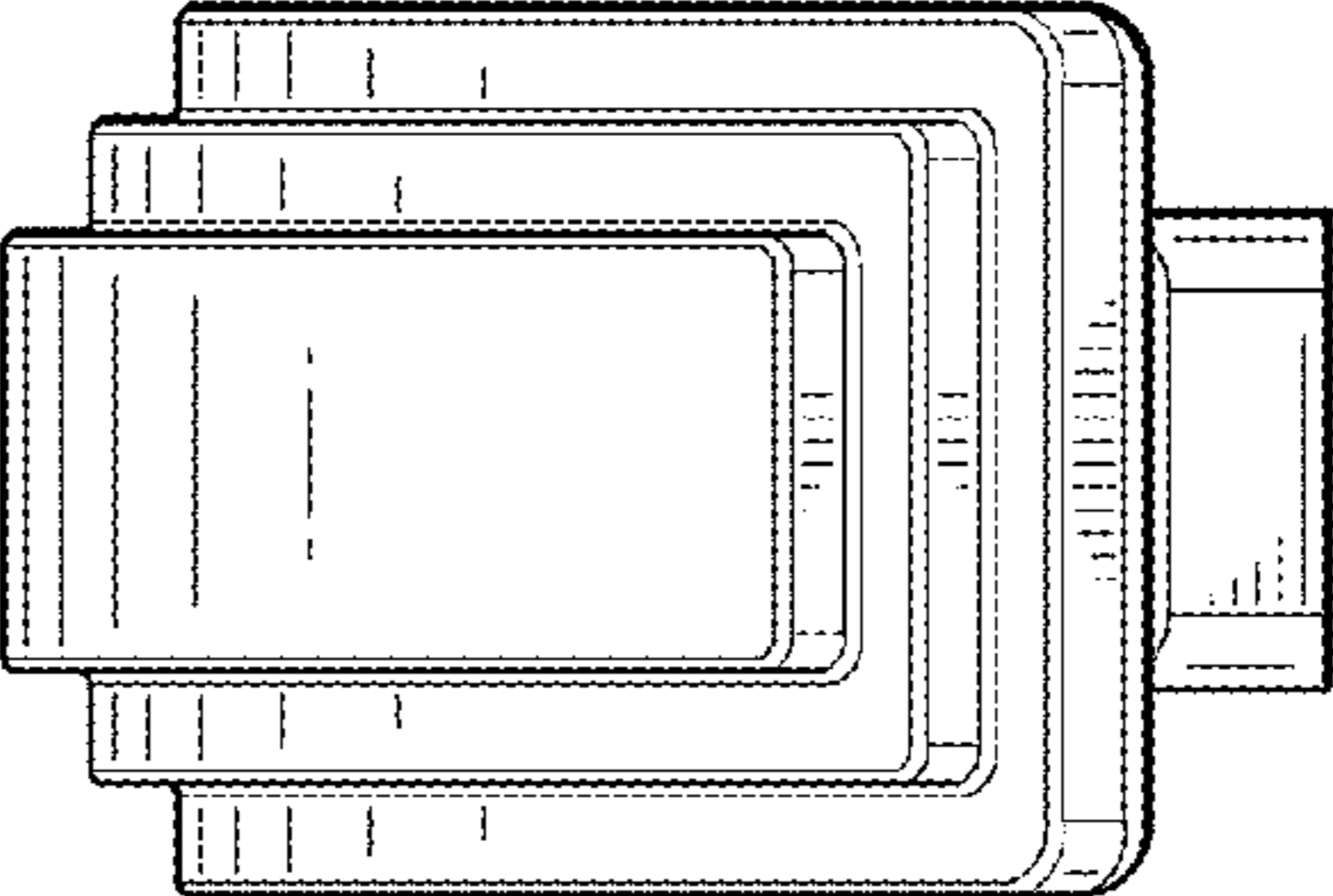


FIG. 3



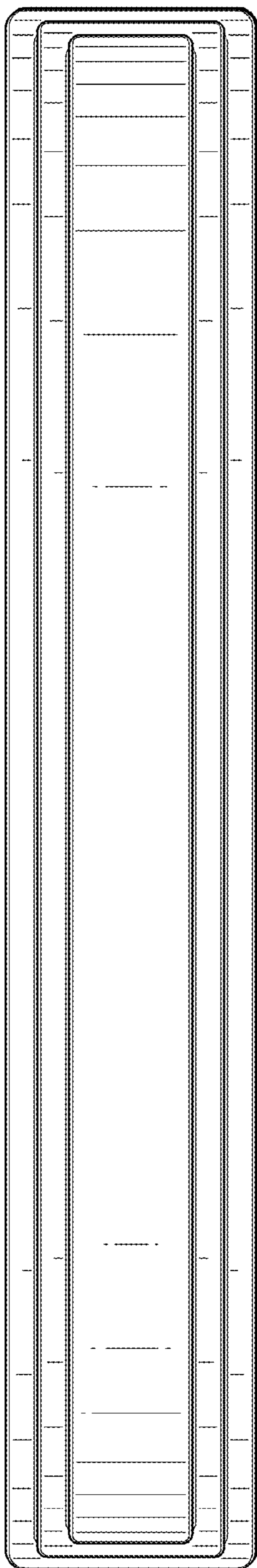


FIG. 4

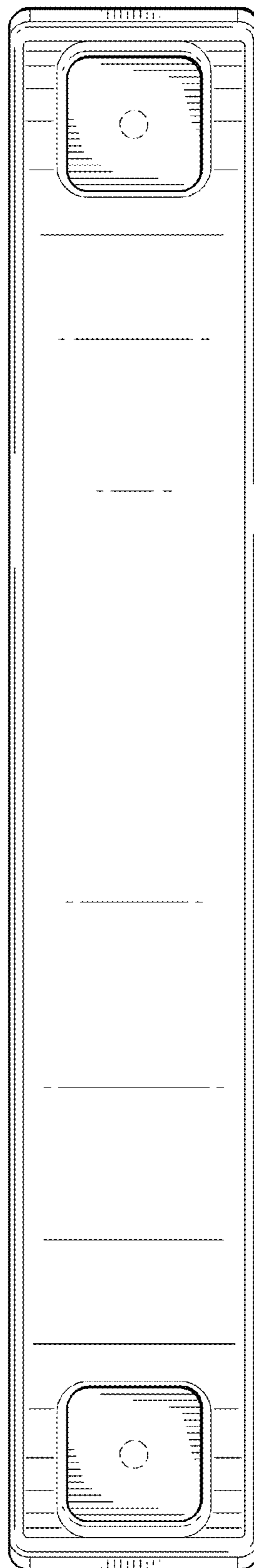


FIG. 5