



US00D729035S

(12) **United States Design Patent**
Zimmer

(10) **Patent No.:** **US D729,035 S**

(45) **Date of Patent:** **** May 12, 2015**

(54) **CABINET HANDLE**

(71) Applicant: **Top Knobs USA, Inc.**, Hillsborough, NJ
(US)

(72) Inventor: **Christine Zimmer**, Hillsborough, NJ
(US)

(73) Assignee: **Top Knobs USA, Inc.**, Hillsborough, NJ
(US)

(**) Term: **14 Years**

(21) Appl. No.: **29/493,153**

(22) Filed: **Jun. 5, 2014**

(51) **LOC (10) Cl.** **08-06**

(52) **U.S. Cl.**
USPC **D8/316**

(58) **Field of Classification Search**
USPC D8/305, 313, 315-320, DIG. 1;
D23/250, 254, 303, 304, 305; D99/11;
D6/546, 549; D7/393, 394; 16/110.1,
16/412, 415
See application file for complete search history.

(56) **References Cited**

U.S. PATENT DOCUMENTS

D140,761 S * 4/1945 Borchers D8/317
D551,056 S * 9/2007 Ricereto D8/317

D569,704 S * 5/2008 Ricereto D8/315
D572,110 S * 7/2008 Busalt et al. D8/316
D581,769 S * 12/2008 Mattson et al. D8/316
D598,269 S * 8/2009 Hanes D8/317
D606,839 S * 12/2009 Urquiola D8/316
D635,005 S * 3/2011 McConnell D8/316
D719,008 S * 12/2014 Han D8/315
2003/0056334 A1 * 3/2003 Finkelstein 16/436
2013/0125345 A1 * 5/2013 Specht et al. 16/413

* cited by examiner

Primary Examiner — Derrick Holland

Assistant Examiner — Lauren Calve

(74) *Attorney, Agent, or Firm* — Schultz & Associates, P.C.

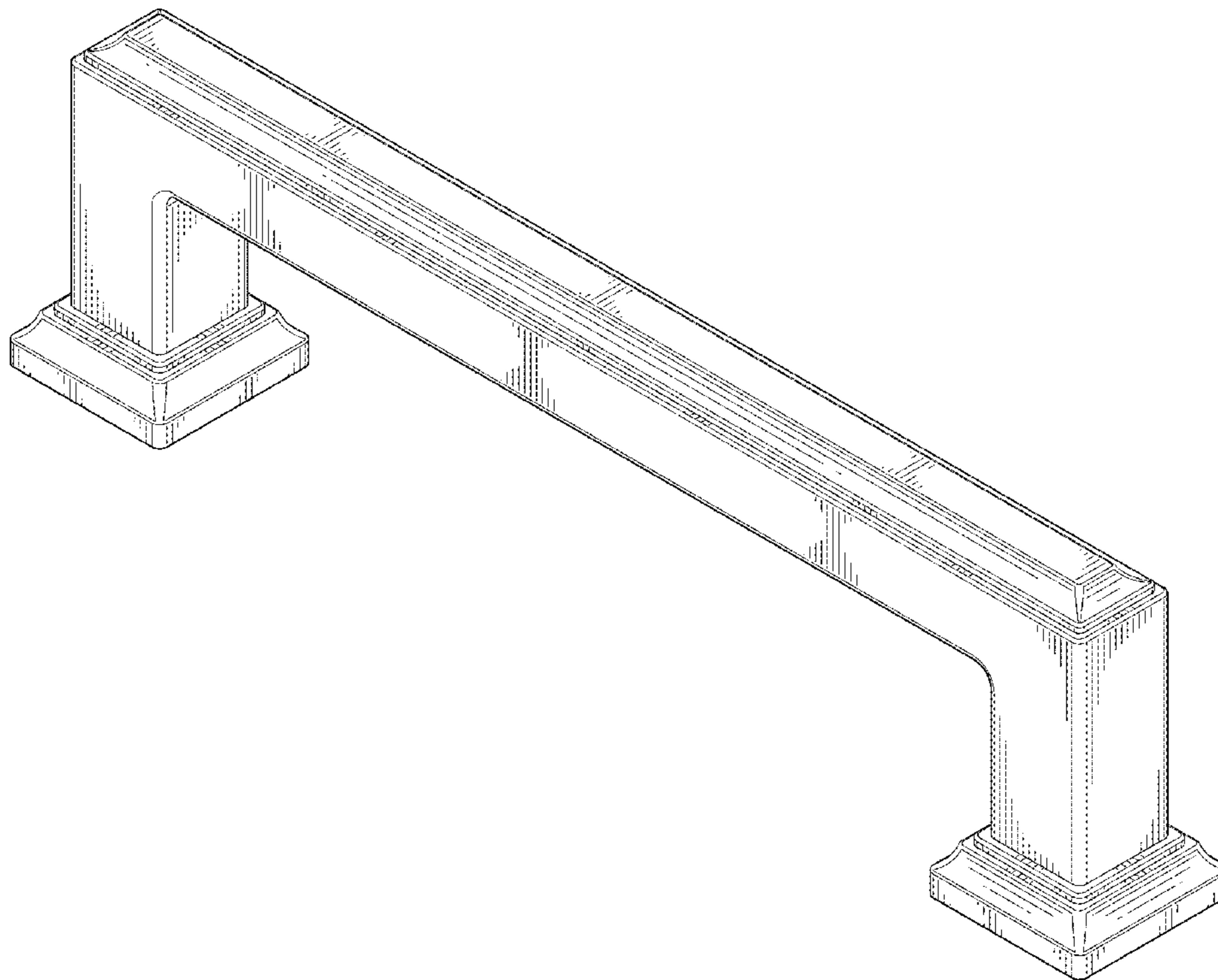
(57) **CLAIM**

The ornamental design for a cabinet handle, as shown and described.

DESCRIPTION

FIG. 1 is a perspective view of a cabinet handle showing my new design;
FIG. 2 is a side elevation view thereof;
FIG. 3 is a second side elevation view thereof;
FIG. 4 is a top plan view thereof; and,
FIG. 5 is a bottom plan view thereof.
The broken lines shown represent unclaimed subject matter and form no part of the claimed design.

1 Claim, 3 Drawing Sheets



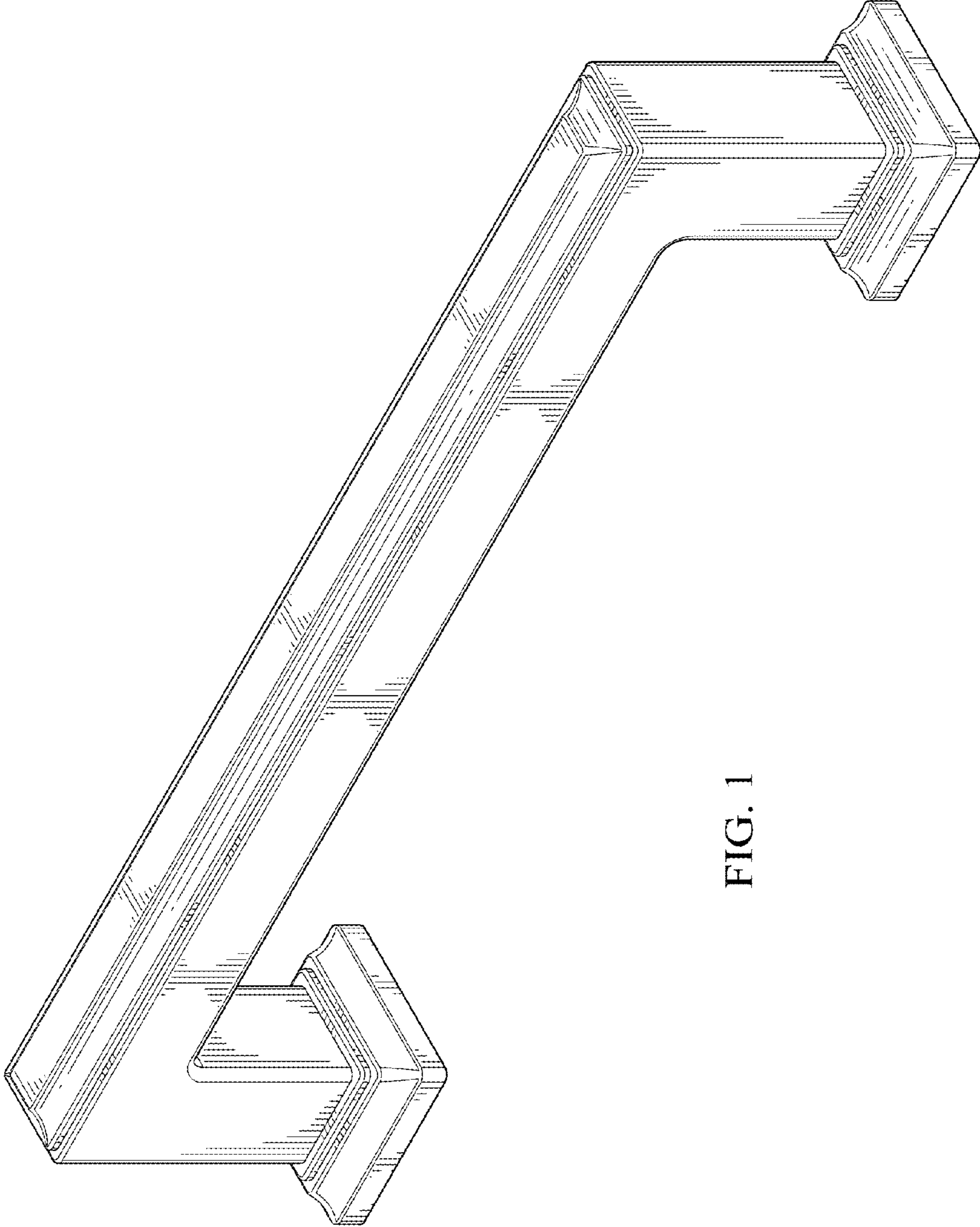


FIG. 1

FIG. 2

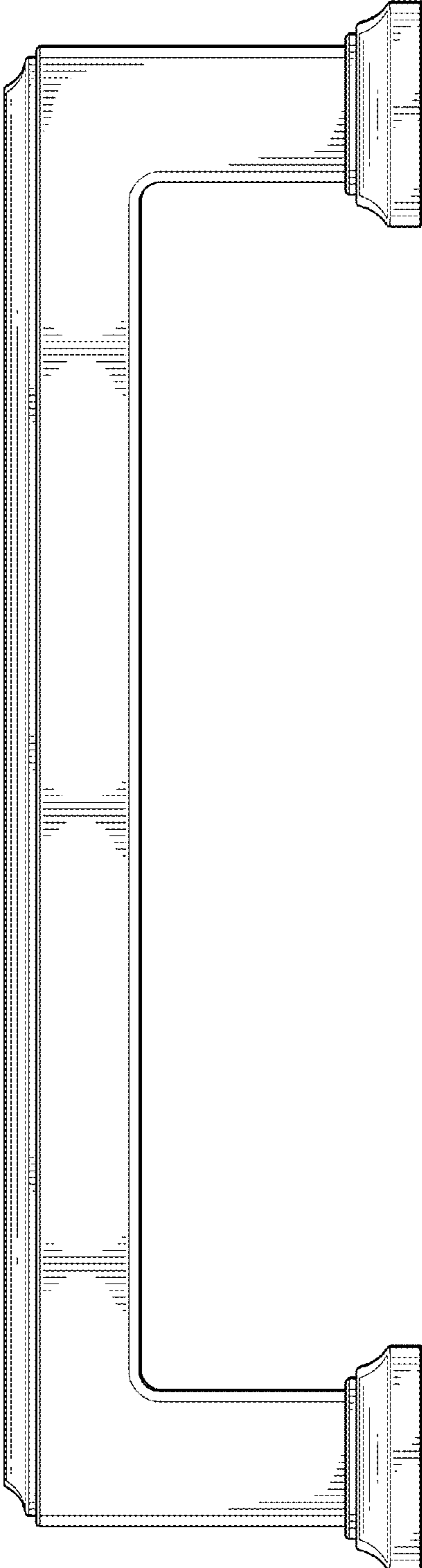
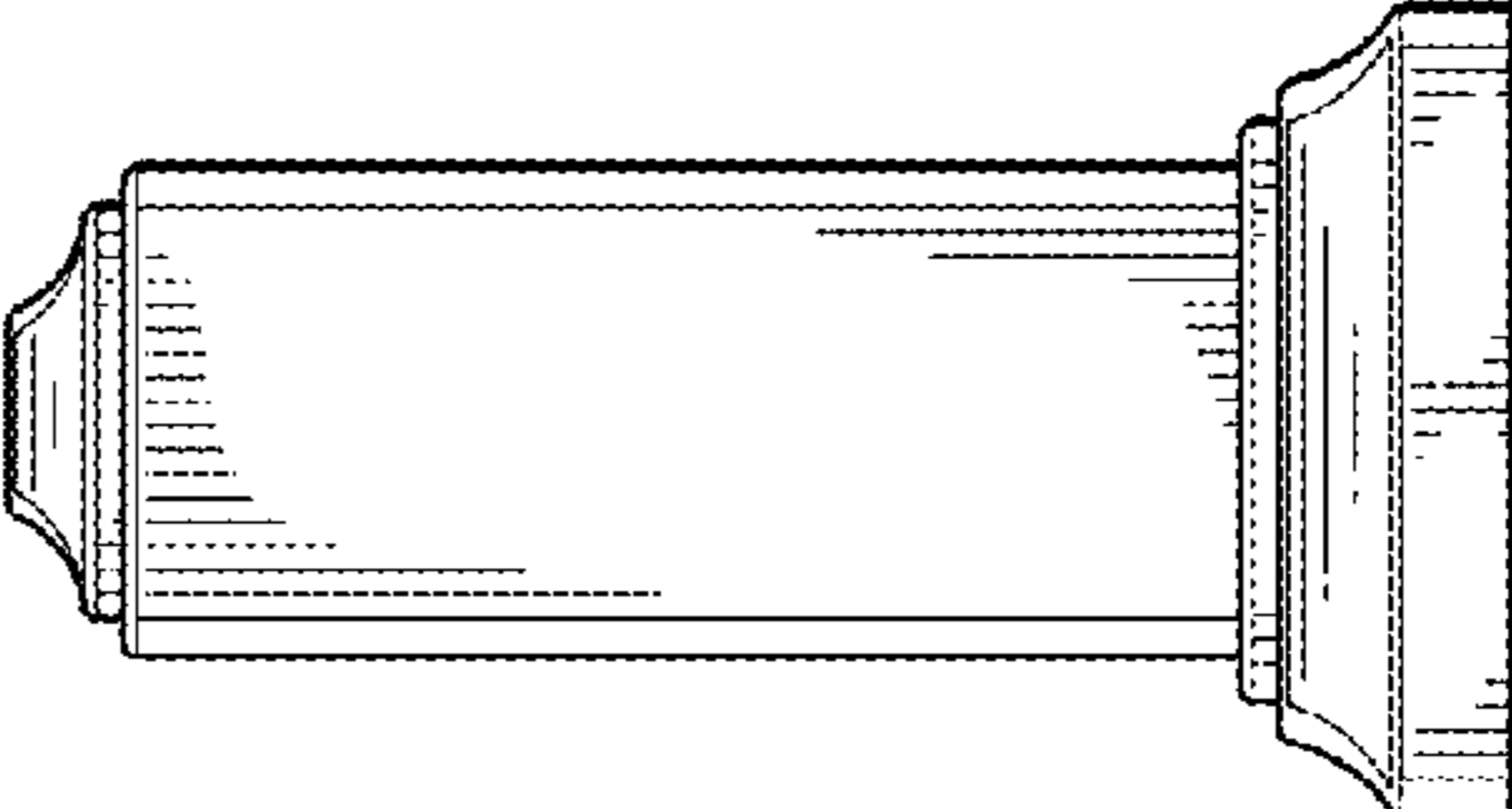


FIG. 3



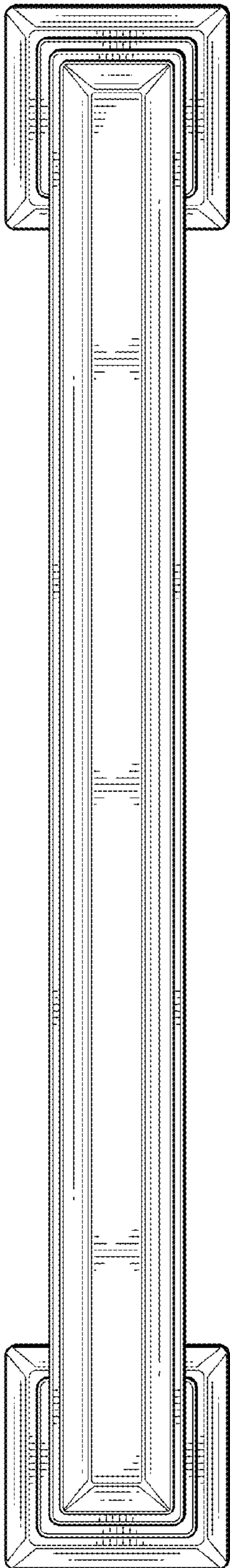


FIG. 4

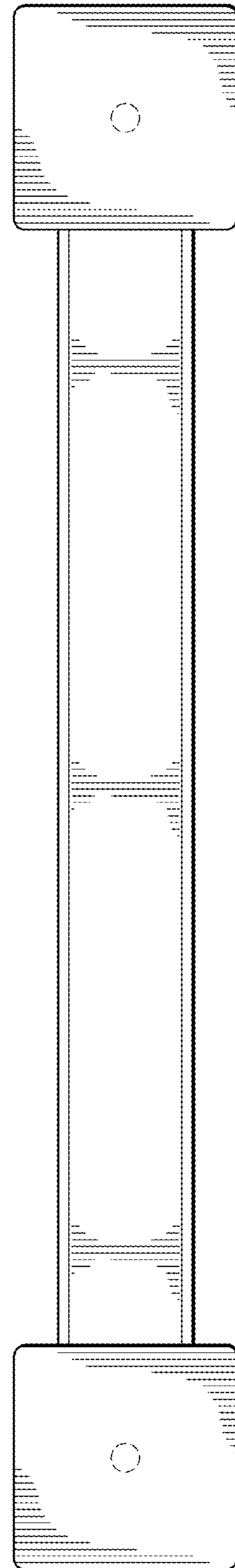


FIG. 5