



US00D729030S

(12) **United States Design Patent**  
**Novick et al.**

(10) **Patent No.:** **US D729,030 S**  
(45) **Date of Patent:** **\*\* May 12, 2015**

(54) **ROTARY CUTTER GUIDE**

FOREIGN PATENT DOCUMENTS

(71) Applicant: **Hewlett-Packard Development Company, L.P.**, Fort Collins, CO (US)

WO WO 91/12937 9/1991  
WO WO 2012099207 7/2012

(72) Inventors: **Michael A. Novick**, San Diego, CA (US); **Bernardo A. Gutierrez**, San Diego, CA (US); **Brandon Phong Khieu**, San Diego, CA (US); **Peter A. Ward**, San Diego, CA (US)

OTHER PUBLICATIONS

ABCoffice Website, "Carl CC-10 Handheld Rotary Cutter", accessed web Jul. 17, 2012, <http://www.abcoffice.com/carl10.htm>, pp. 1-2.

(Continued)

(73) Assignee: **Hewlett-Packard Development Company, L.P.**, Houston, TX (US)

*Primary Examiner* — Phillip S Hyder

(74) *Attorney, Agent, or Firm* — Dierker & Associates, P.C.

(\*\*) Term: **14 Years**

(57) **CLAIM**

The ornamental design for a rotary cutter guide, as shown and described.

(21) Appl. No.: **29/455,715**

**DESCRIPTION**

(22) Filed: **May 23, 2013**

(51) **LOC (10) Cl.** ..... **08-03**

(52) **U.S. Cl.**  
USPC ..... **D8/98**

(58) **Field of Classification Search**  
CPC ..... B26B 11/00; B26B 29/02  
USPC ..... 30/306, 307, 292, 319, 276; D8/98, 99,  
D8/51; D7/694

See application file for complete search history.

FIG. 1 is a front, perspective view of a rotary cutter guide showing a new design, where the rotary cutter guide is shown attached to a handheld rotary cutter that is depicted by broken lines;

FIG. 2 is a back, perspective view of the rotary cutter guide shown in FIG. 1, where the handheld rotary cutter is not shown;

FIG. 3 is a front view of the rotary cutter guide shown in FIG. 2;

FIG. 4 is a right side view of the rotary cutter guide shown in FIG. 2;

FIG. 5 is a left side view of the rotary cutter guide shown in FIG. 2;

FIG. 6 is a top view of the rotary cutter guide shown in FIG. 2;

FIG. 7 is a bottom view of the rotary cutter guide shown in FIG. 2; and,

FIG. 8 is a back view of the rotary cutter guide shown in FIG. 2.

The broken line showing of the handheld rotary cutter in FIG. 1 is provided for purposes of environment and forms no part of the claimed design.

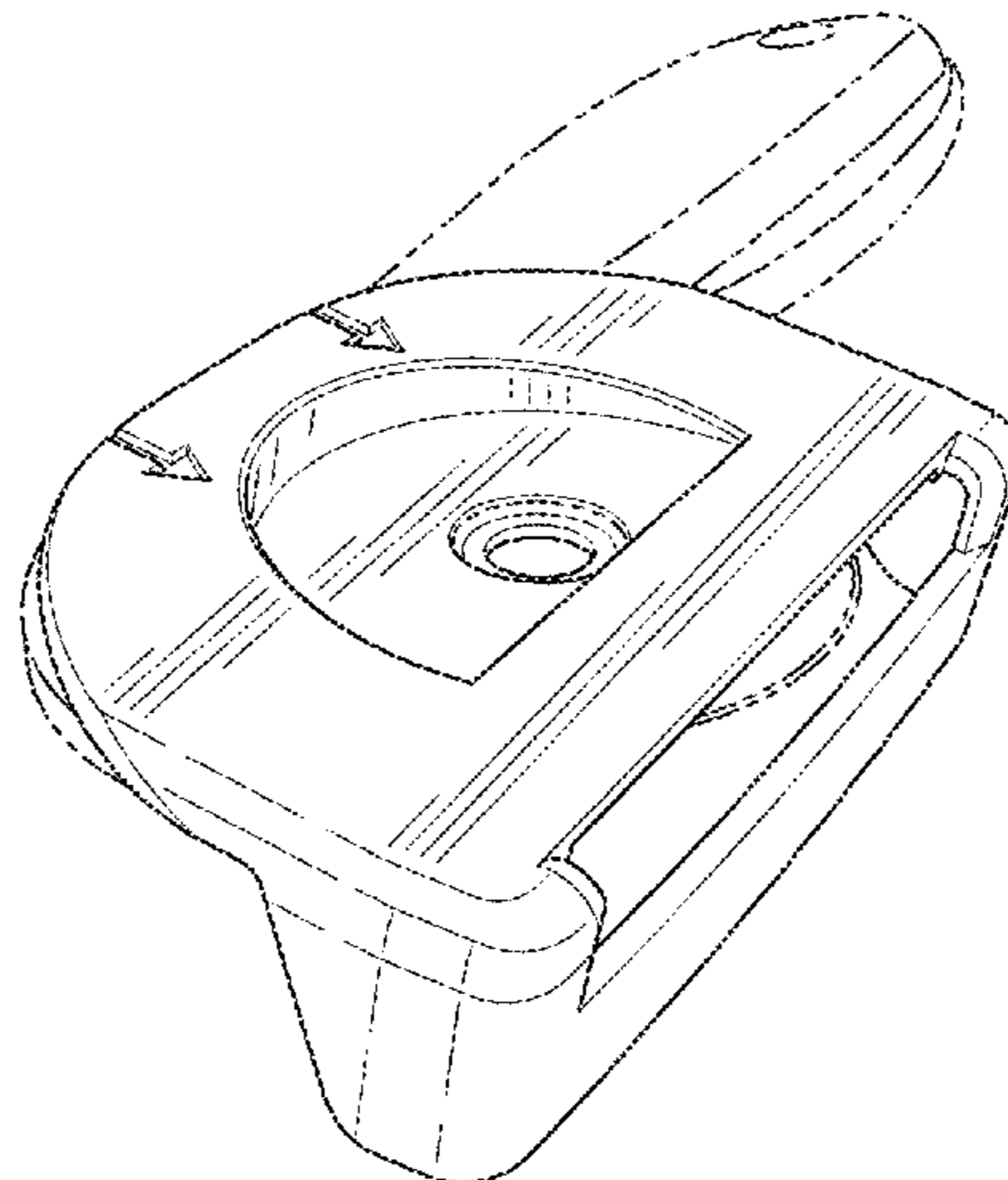
(56) **References Cited**

U.S. PATENT DOCUMENTS

4,274,319	A	6/1981	Frye et al.	
5,144,749	A	9/1992	Chen	
D341,764	S	11/1993	Birkholz	
5,299,355	A	4/1994	Boda et al.	
5,303,476	A	4/1994	Tuggle	
5,355,588	A	10/1994	Brandenburg, Jr. et al.	
D388,305	S *	12/1997	Schulz et al.	D8/98
5,711,077	A *	1/1998	Schulz et al.	30/160
5,765,289	A *	6/1998	Schulz et al.	30/319
6,282,794	B1	9/2001	Cho et al.	

(Continued)

**1 Claim, 2 Drawing Sheets**



(56)

**References Cited**

U.S. PATENT DOCUMENTS

6,327,783 B1 \* 12/2001 Ming ..... 30/292  
6,643,936 B2 \* 11/2003 Carlson et al. .... 30/162  
7,073,263 B2 7/2006 Kawasaki  
7,188,424 B2 \* 3/2007 Webster et al. .... 30/365  
7,204,023 B2 4/2007 Chang  
7,290,340 B2 11/2007 Lin  
7,363,710 B2 \* 4/2008 Kortleven et al. .... 30/143  
D582,239 S \* 12/2008 Eby et al. .... D8/98  
D633,361 S \* 3/2011 Chang ..... D8/98  
8,046,922 B2 11/2011 Eby et al.  
D664,824 S \* 8/2012 Cunningham et al. .... D8/98

8,555,513 B2 \* 10/2013 Moreland et al. .... 30/292  
8,590,163 B1 \* 11/2013 Bagley et al. .... 30/123  
2006/0236551 A1 10/2006 Chang  
2008/0010839 A1 1/2008 Eby et al.  
2009/0183378 A1 \* 7/2009 Eby et al. .... 30/391  
2011/0078908 A1 4/2011 Bagley  
2012/0285305 A1 11/2012 Jablonsky

OTHER PUBLICATIONS

I Have A Notion Website, "TrueCut Rotary Cutting System",  
accessed web Jul. 17, 2012, [http://ihavea-notion.com/store/category\\_259/truecut-rotary-cutting-system.htm](http://ihavea-notion.com/store/category_259/truecut-rotary-cutting-system.htm), pp. 1-3.

\* cited by examiner

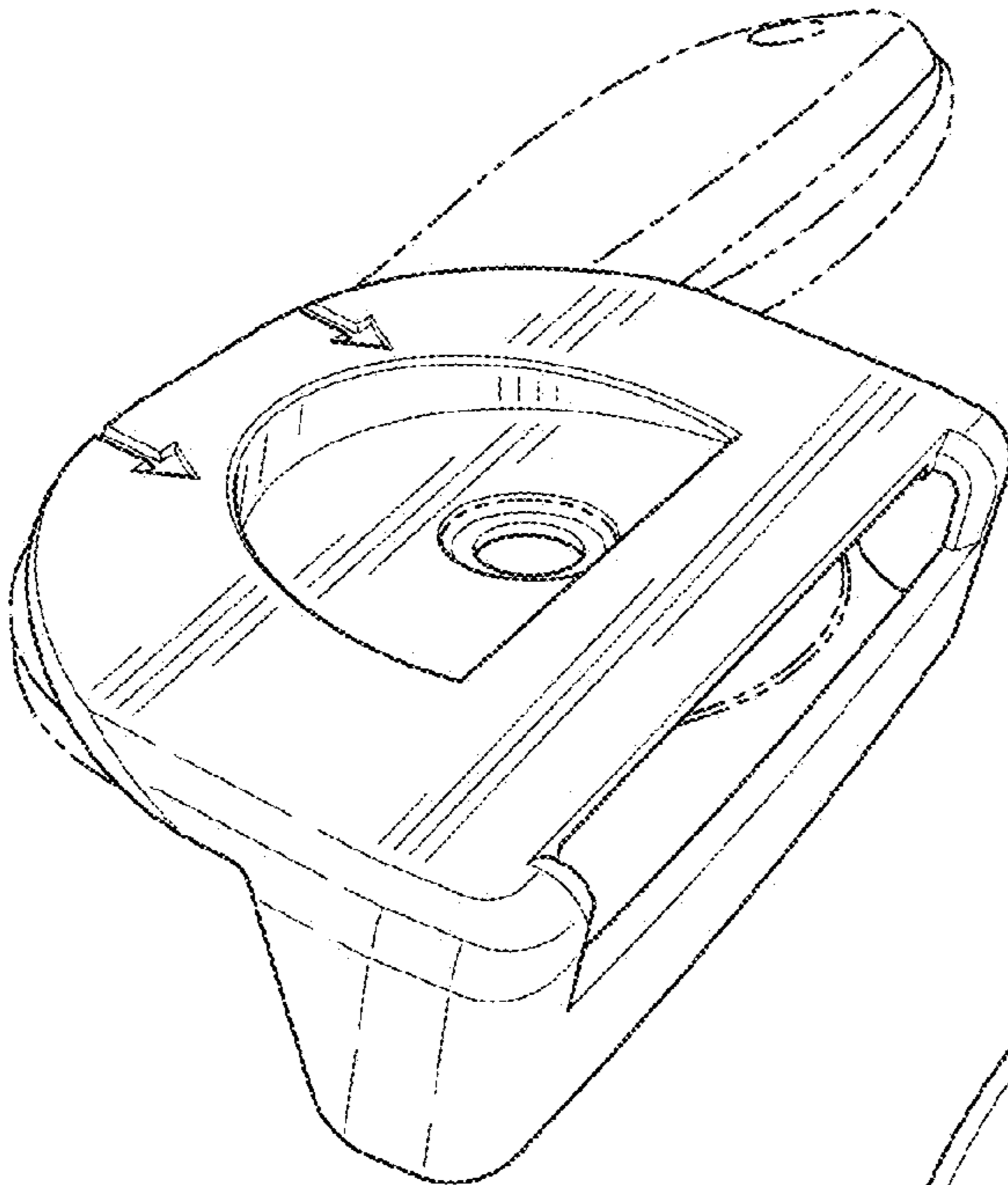


FIG. 1

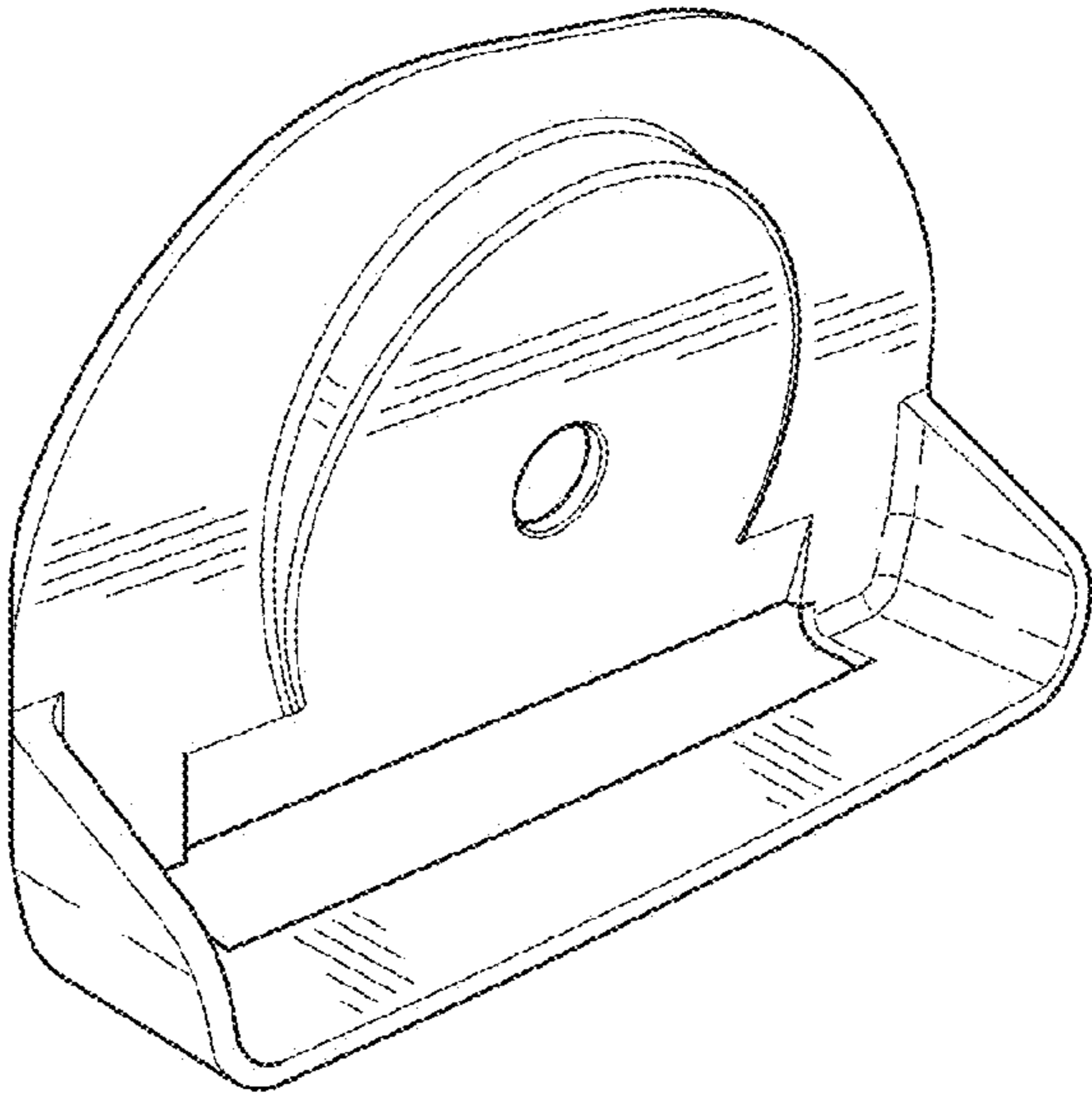


FIG. 2

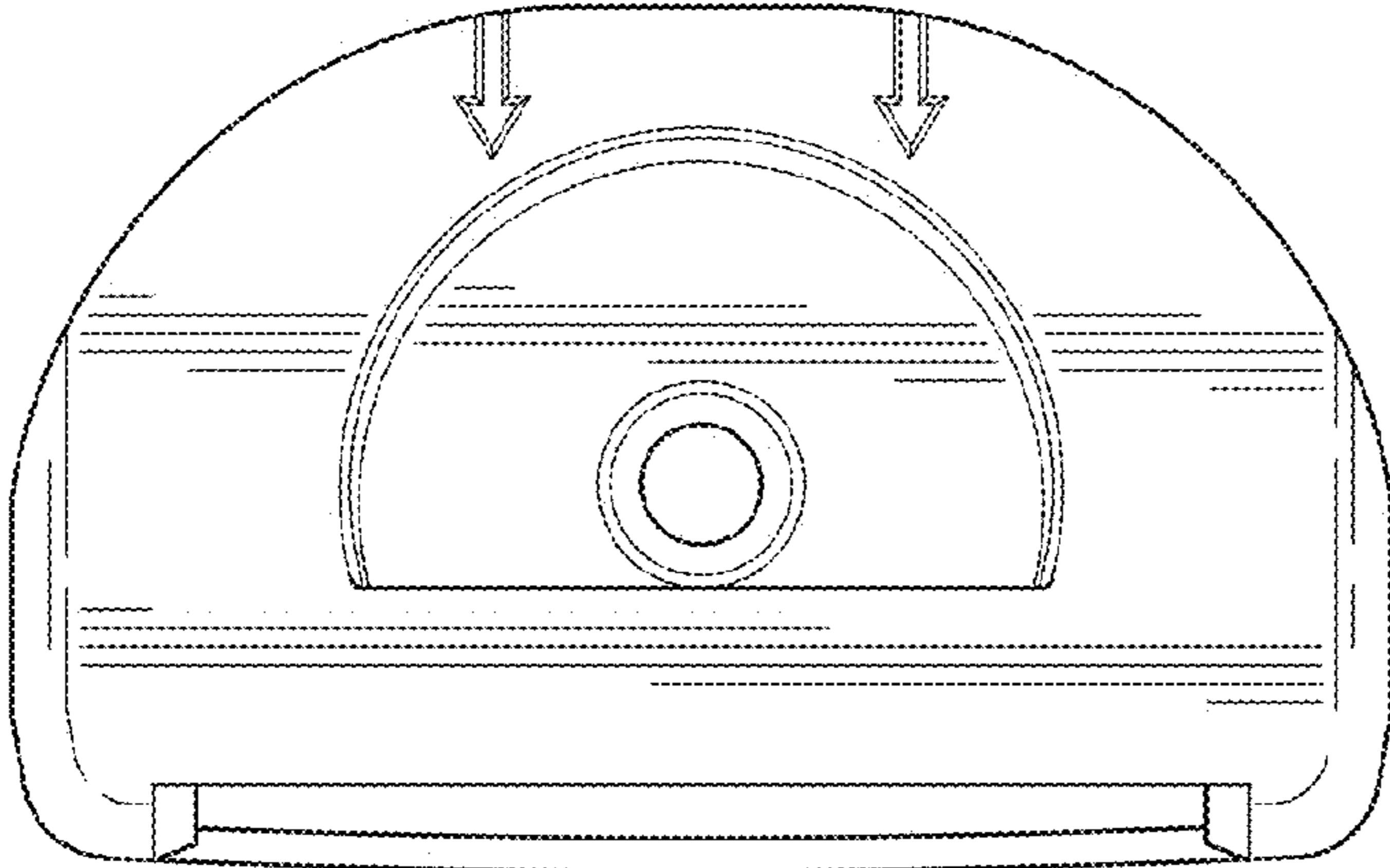


FIG. 3

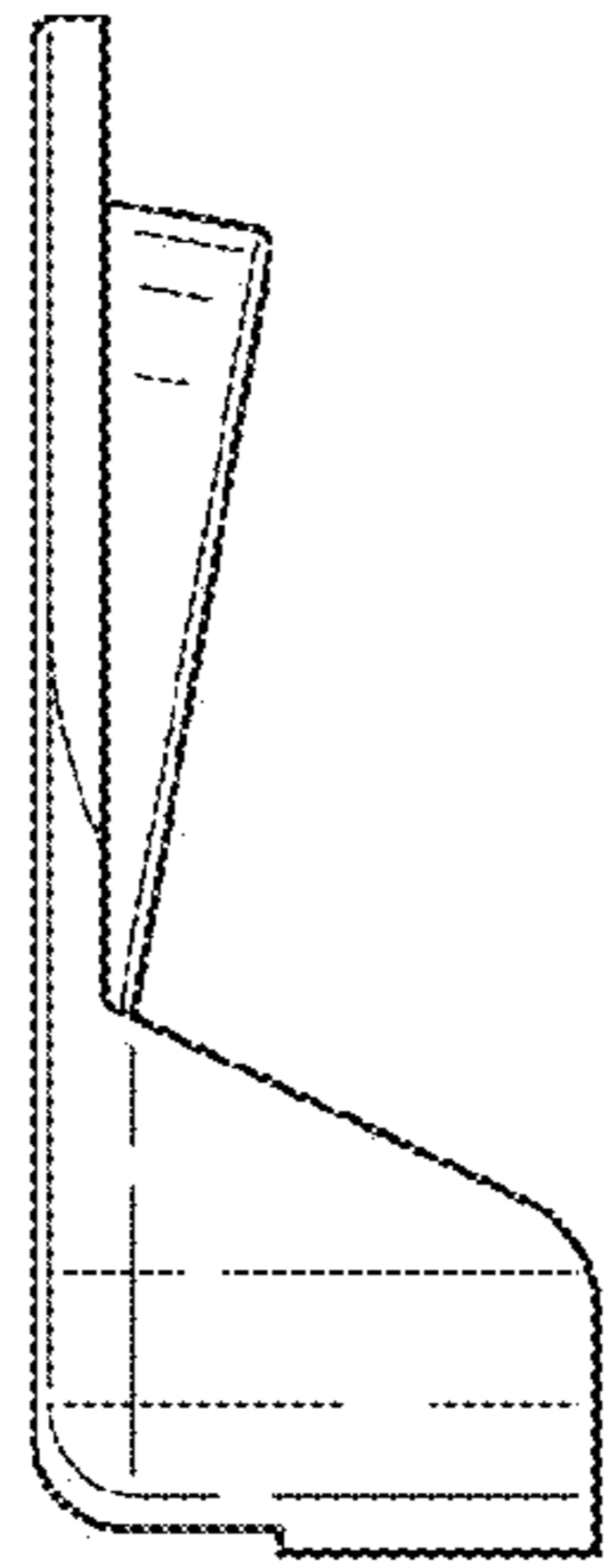


FIG. 4

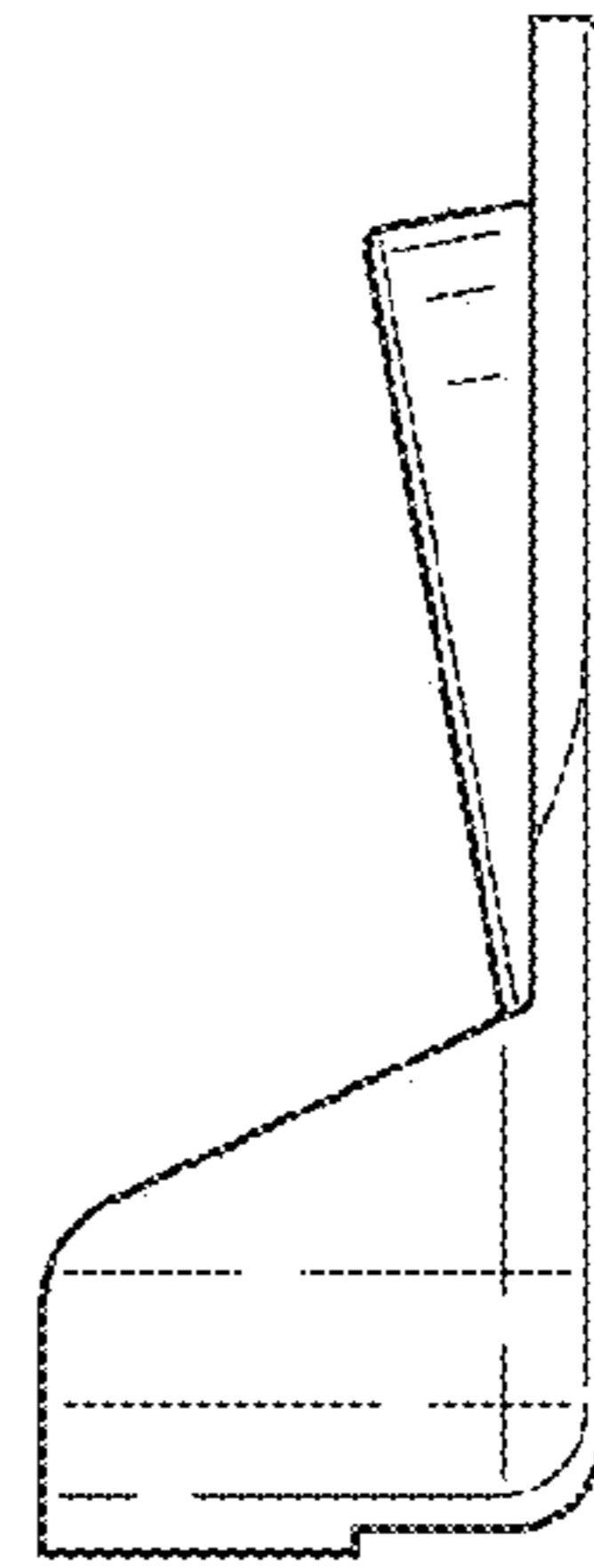


FIG. 5

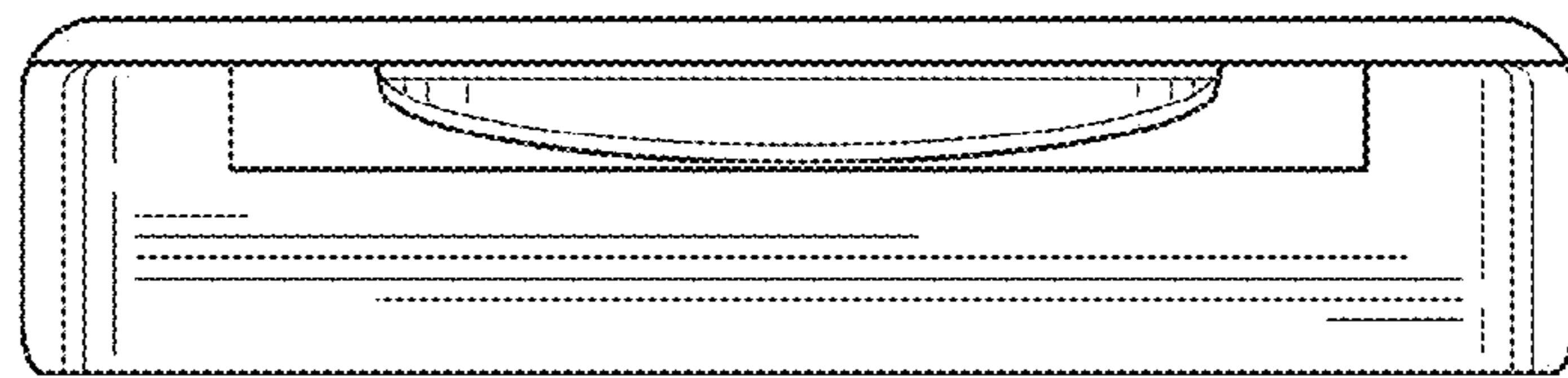


FIG. 6



FIG. 7

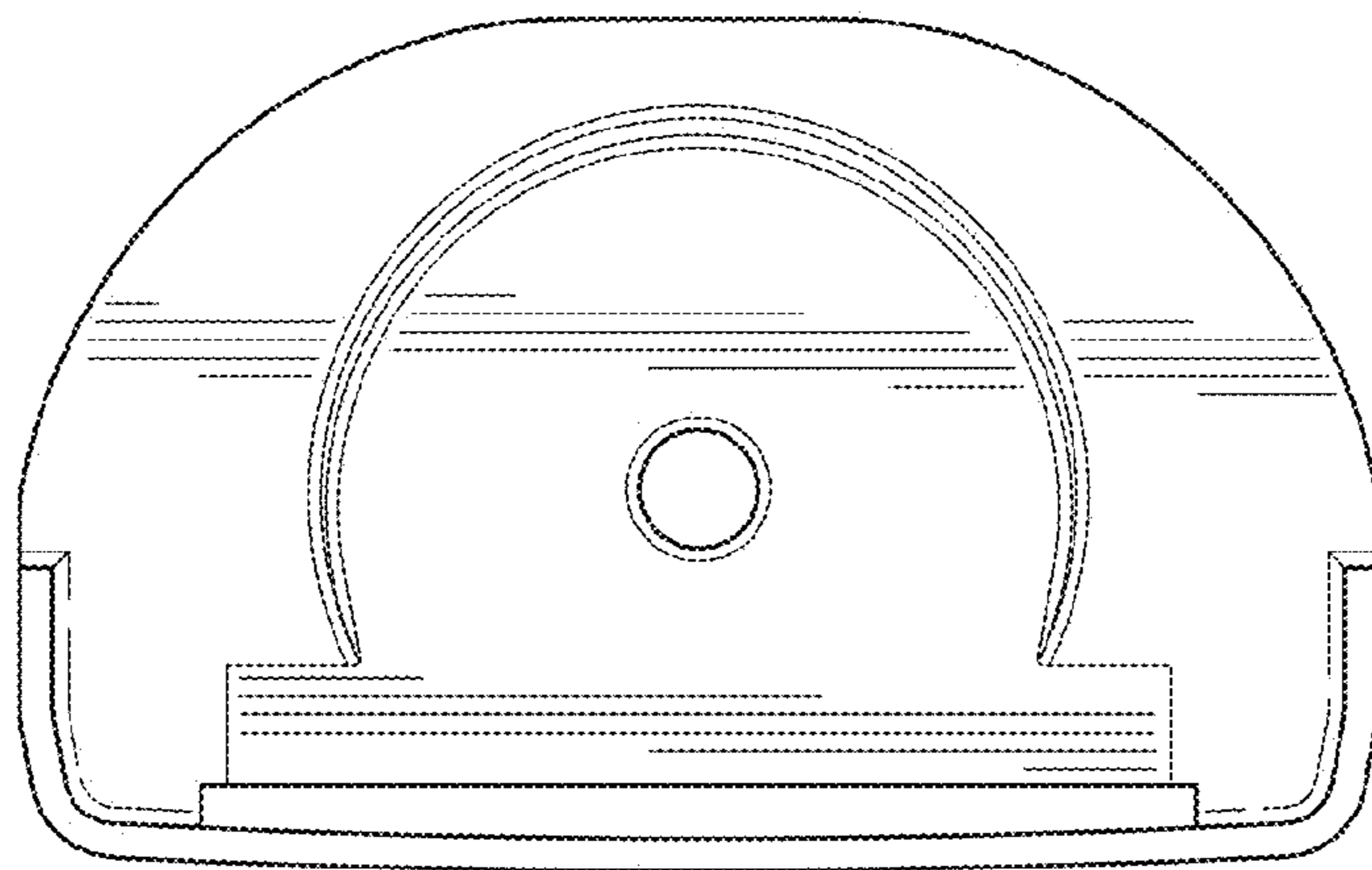


FIG. 8