



US00D729027S

(12) **United States Design Patent**
Tinius

(10) **Patent No.:** **US D729,027 S**

(45) **Date of Patent:** **** May 12, 2015**

- (54) **CHAINSAW**
- (71) Applicant: **Andreas Stihl AG & Co. KG**,
Waiblingen (DE)
- (72) Inventor: **Michael Tinius**, Ulm (DE)
- (73) Assignee: **Andreas Stihl AG & Co. KG**,
Waiblingen (DE)
- (**) Term: **14 Years**

D649,853	S	12/2011	Tinius	
D651,061	S *	12/2011	Tinius	D8/65
D663,599	S *	7/2012	Tinius	D8/65
D668,923	S *	10/2012	Tinius	D8/65
D681,412	S *	5/2013	Ortlund et al.	D8/65
D690,570	S *	10/2013	Tinius	D8/65
D702,098	S *	4/2014	Landberg	D8/65
2002/0073551	A1 *	6/2002	Goodwin	30/123.4
2002/0129502	A1 *	9/2002	Durr et al.	30/381
2003/0188618	A1 *	10/2003	Menzel et al.	83/801
2004/0103857	A1 *	6/2004	Kruse	123/1 R
2006/0230900	A1 *	10/2006	Bergquist	83/381

- (21) Appl. No.: **29/462,725**
- (22) Filed: **Aug. 7, 2013**

(30) **Foreign Application Priority Data**
 Apr. 30, 2013 (EM) 002229823-0002

- (51) **LOC (10) Cl.** **08-03**
- (52) **U.S. Cl.**
USPC **D8/65**

- (58) **Field of Classification Search**
USPC D8/65, 7, 8, 9, 70, 66, 67, 62, 63, 64,
D8/61, 91; 30/386, 383, 382, 371, 123,
30/381; 125/21; D21/532; 83/832, 833,
83/834; 123/185.3
See application file for complete search history.

(56) **References Cited**
 U.S. PATENT DOCUMENTS

D606,829	S	12/2009	Tinius
D607,293	S	1/2010	Tinius
D633,353	S	3/2011	Tinius
D633,766	S	3/2011	Tinius
D640,111	S	6/2011	Tinius
D641,603	S	7/2011	Tinius
D645,315	S	9/2011	Tinius
D649,852	S	12/2011	Tinius

OTHER PUBLICATIONS

U.S. Appl. No. 29/387,947, Tinius.

* cited by examiner

Primary Examiner — Austin Murphy

(74) *Attorney, Agent, or Firm* — McGuireWoods LLP

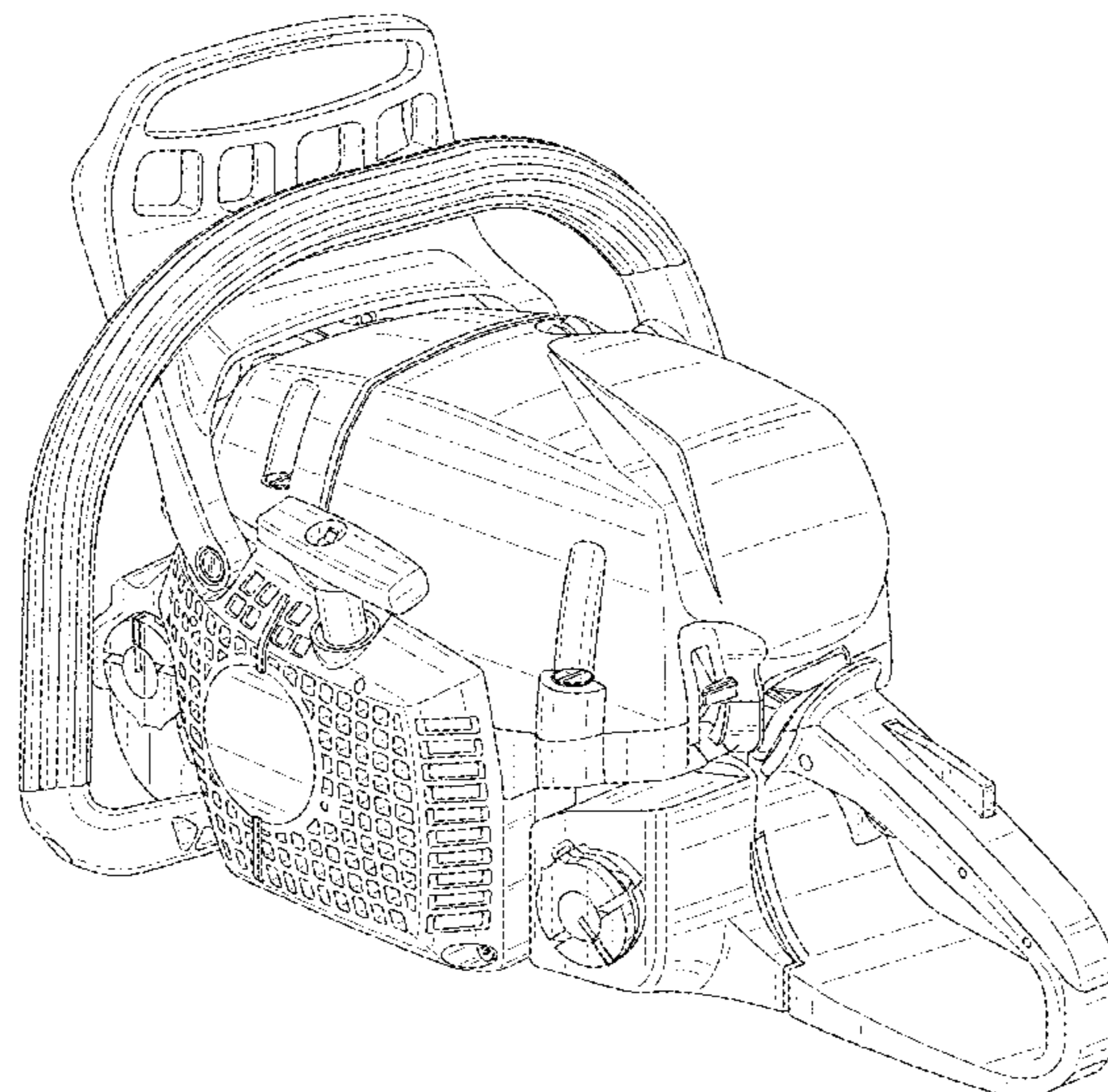
(57) **CLAIM**

I claim the ornamental design for a chainsaw, as shown and described.

DESCRIPTION

FIG. 1 is a right-rear perspective view of the chainsaw; FIG. 2 is a front view of the chainsaw shown in FIG. 1; FIG. 3 is a rear view of the chainsaw shown in FIG. 1; FIG. 4 is a right side view of the chainsaw shown in FIG. 1; FIG. 5 is a left side view of the chainsaw shown in FIG. 1; FIG. 6 is a top view of the chainsaw shown in FIG. 1; and, FIG. 7 is a bottom view of the chainsaw shown in FIG. 1. The broken lines shown in the drawings represent portions of the chainsaw that form no part of the claimed design. The subject matter shown in dashed lines, and any surfaces of the design not shown, including interior surfaces, form no part of the claimed invention.

1 Claim, 7 Drawing Sheets



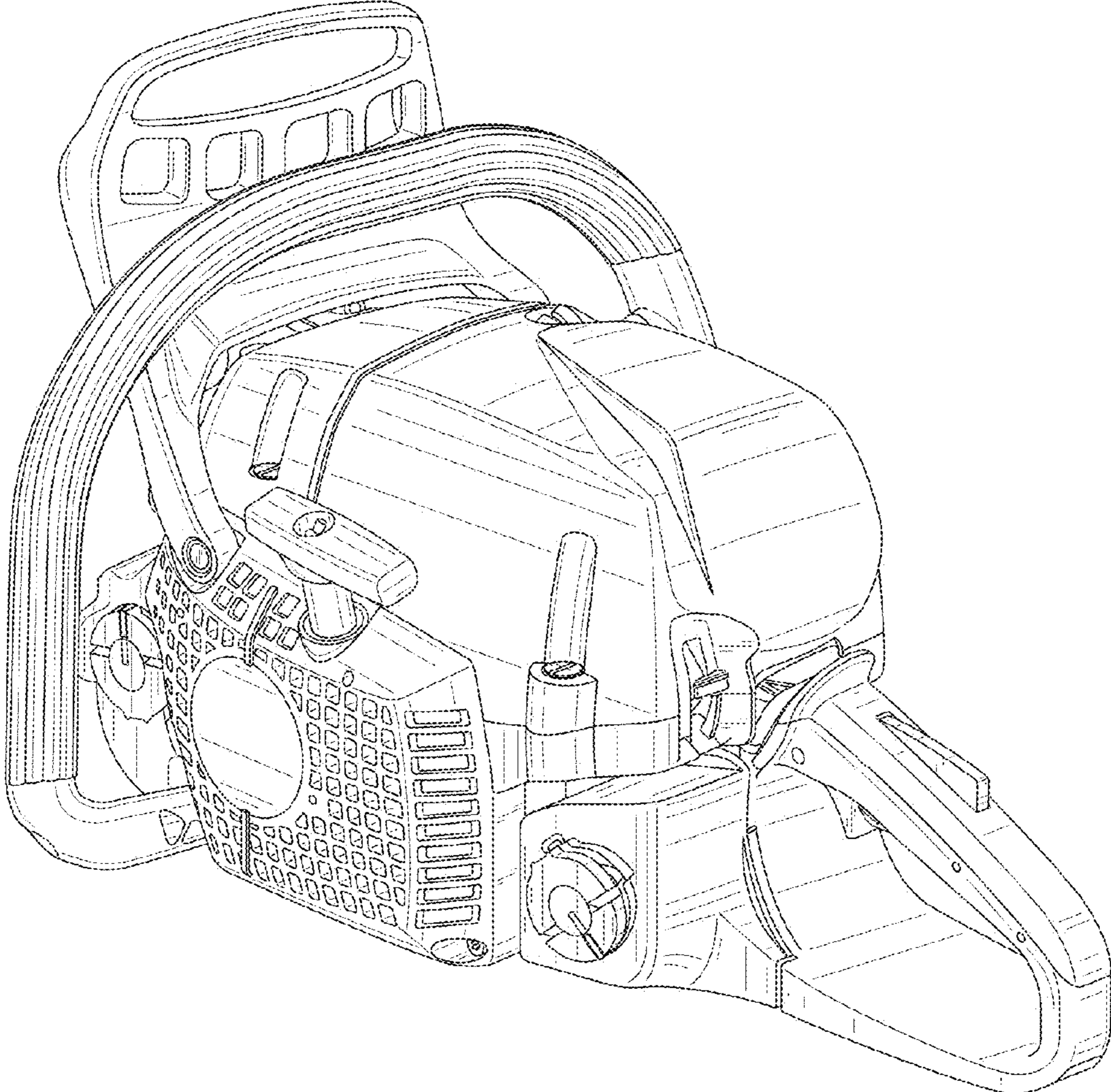


FIG. 1

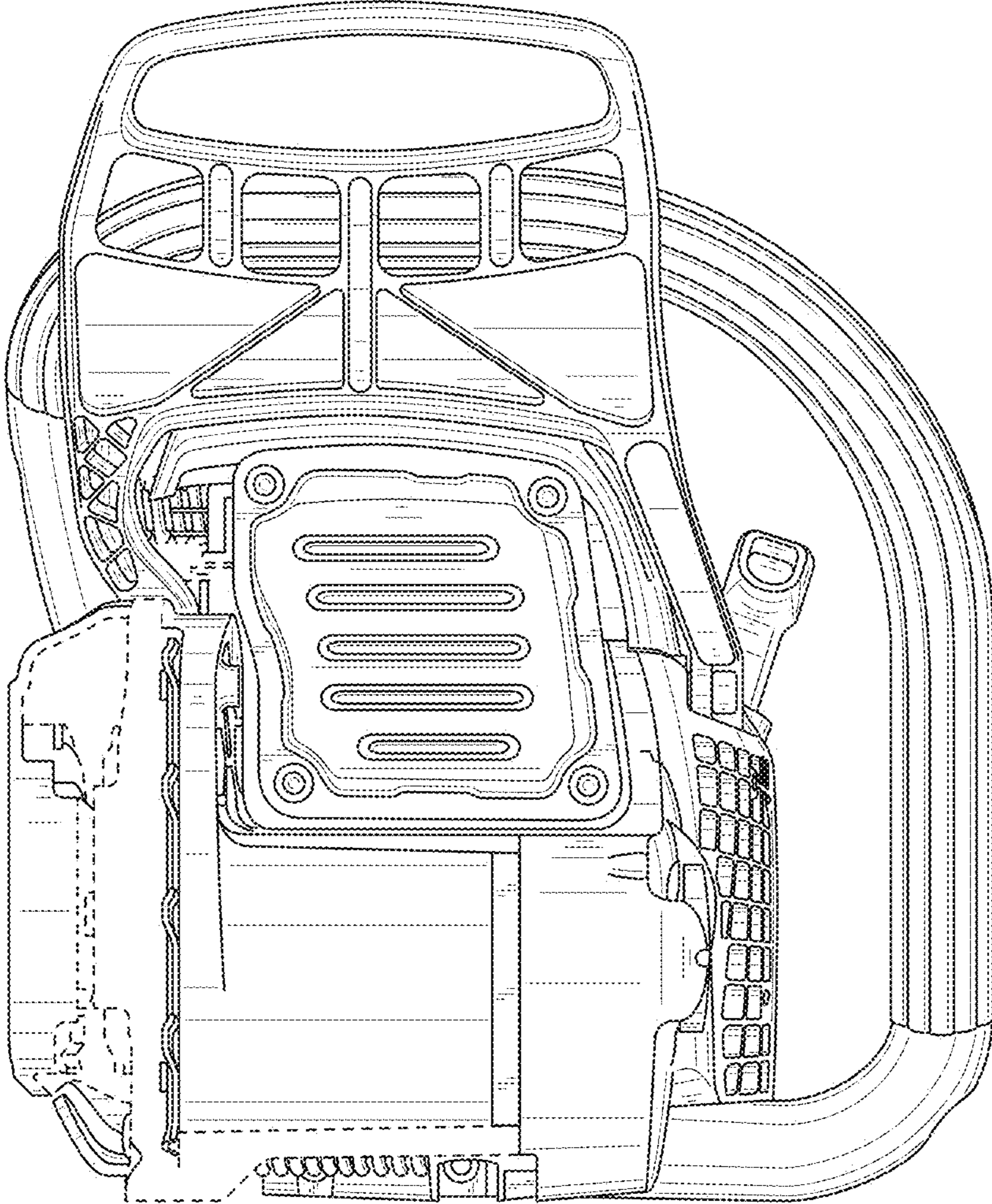


FIG. 2

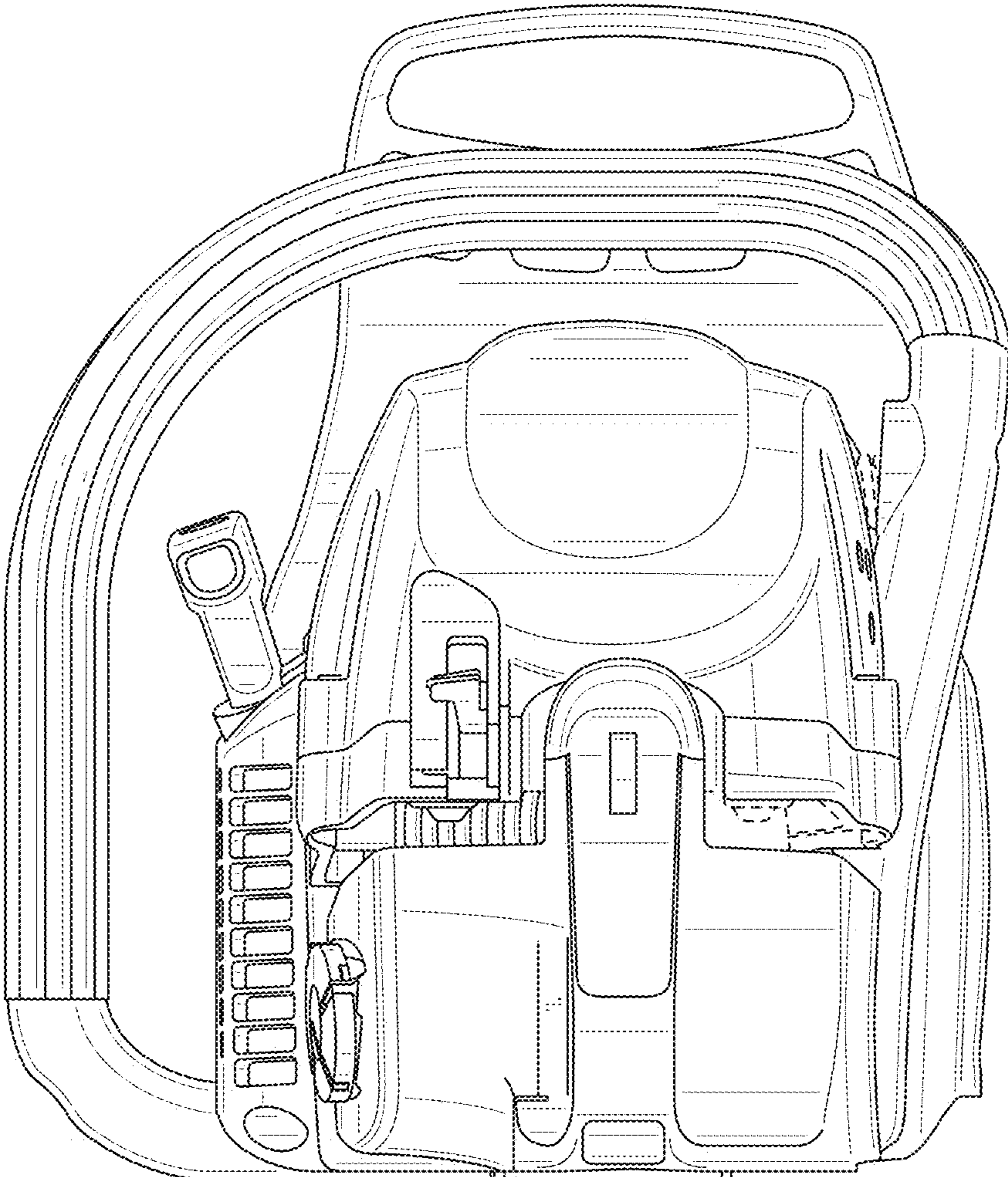


FIG. 3

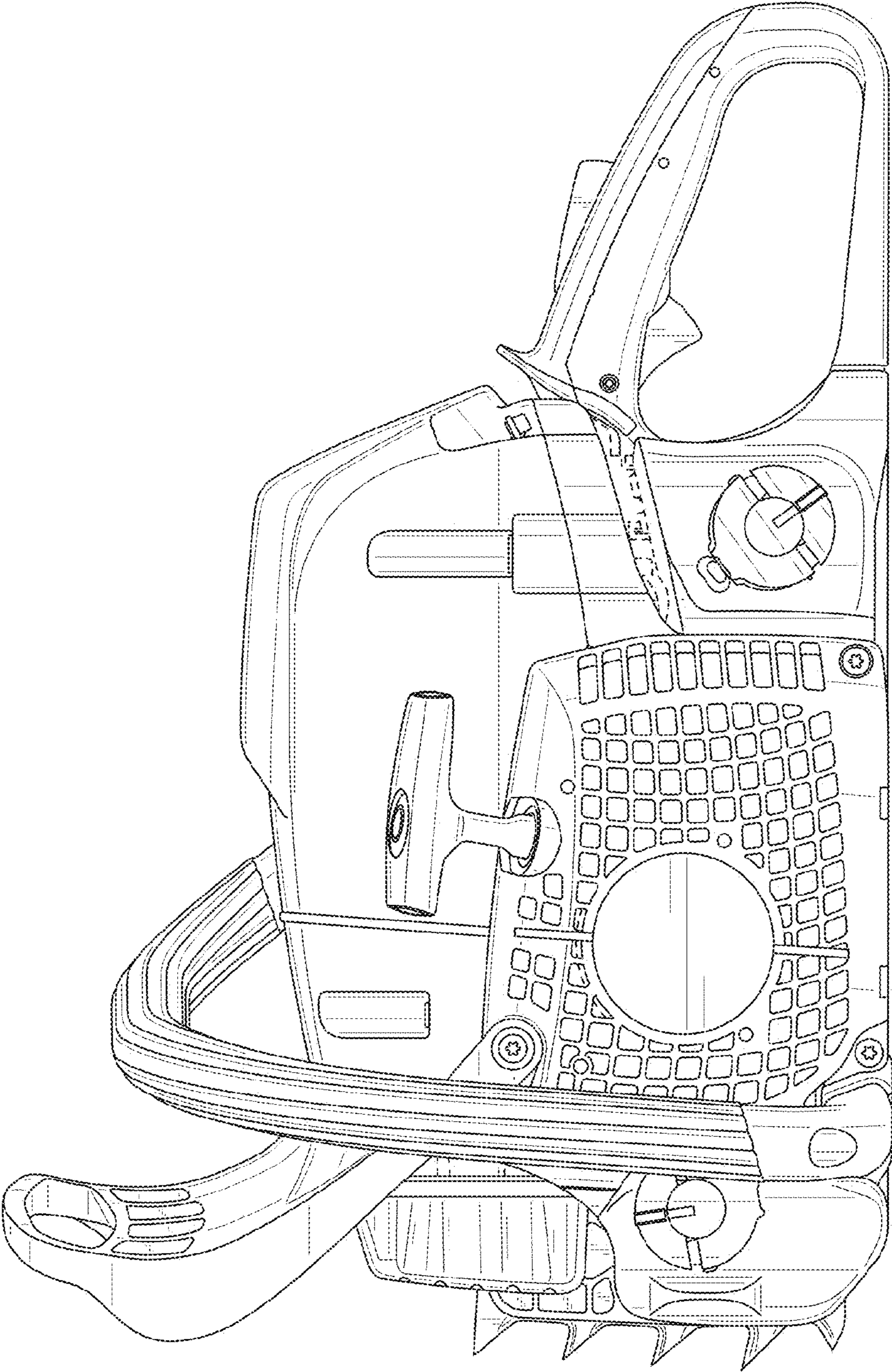


FIG. 4

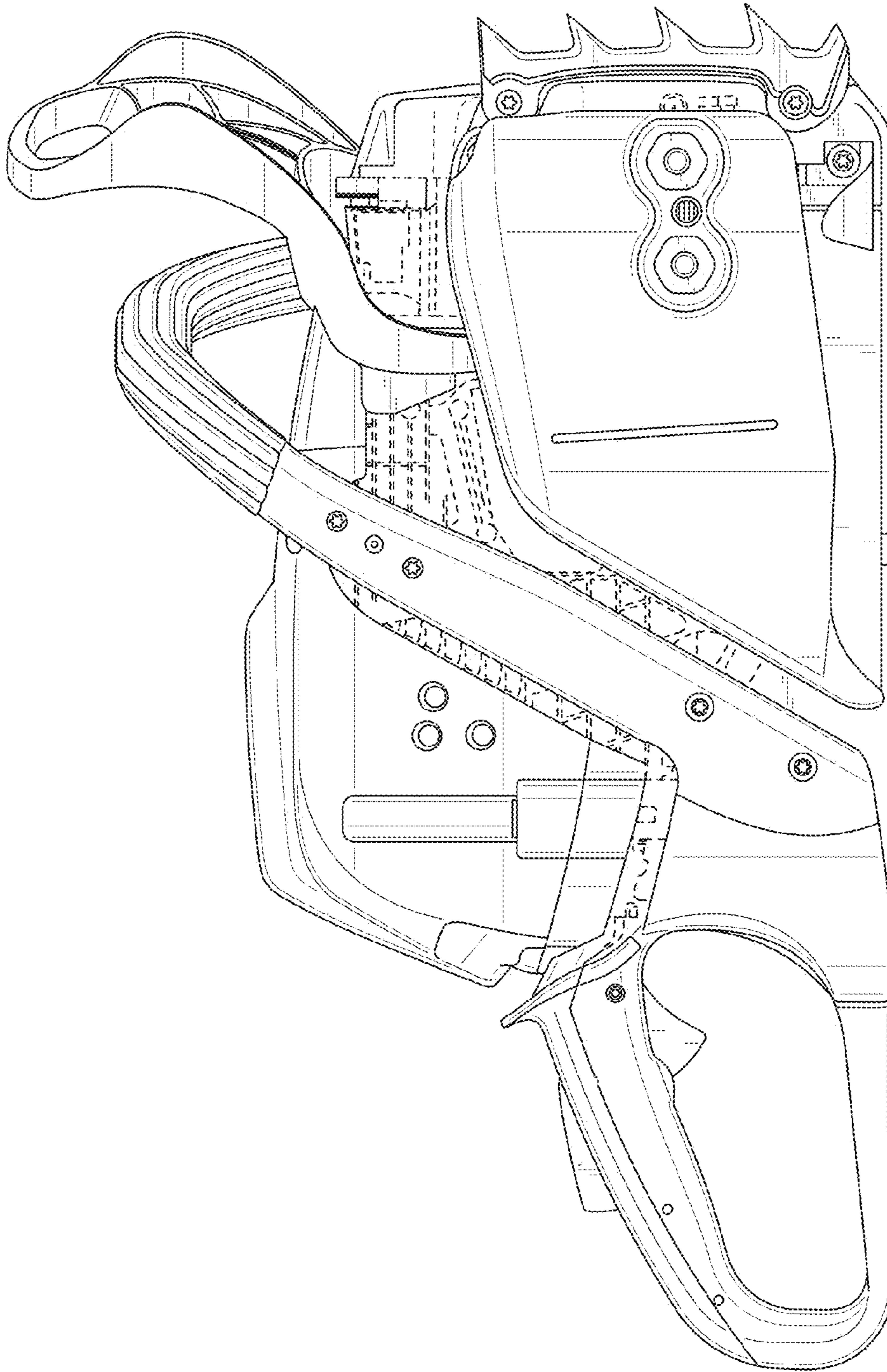


FIG. 5

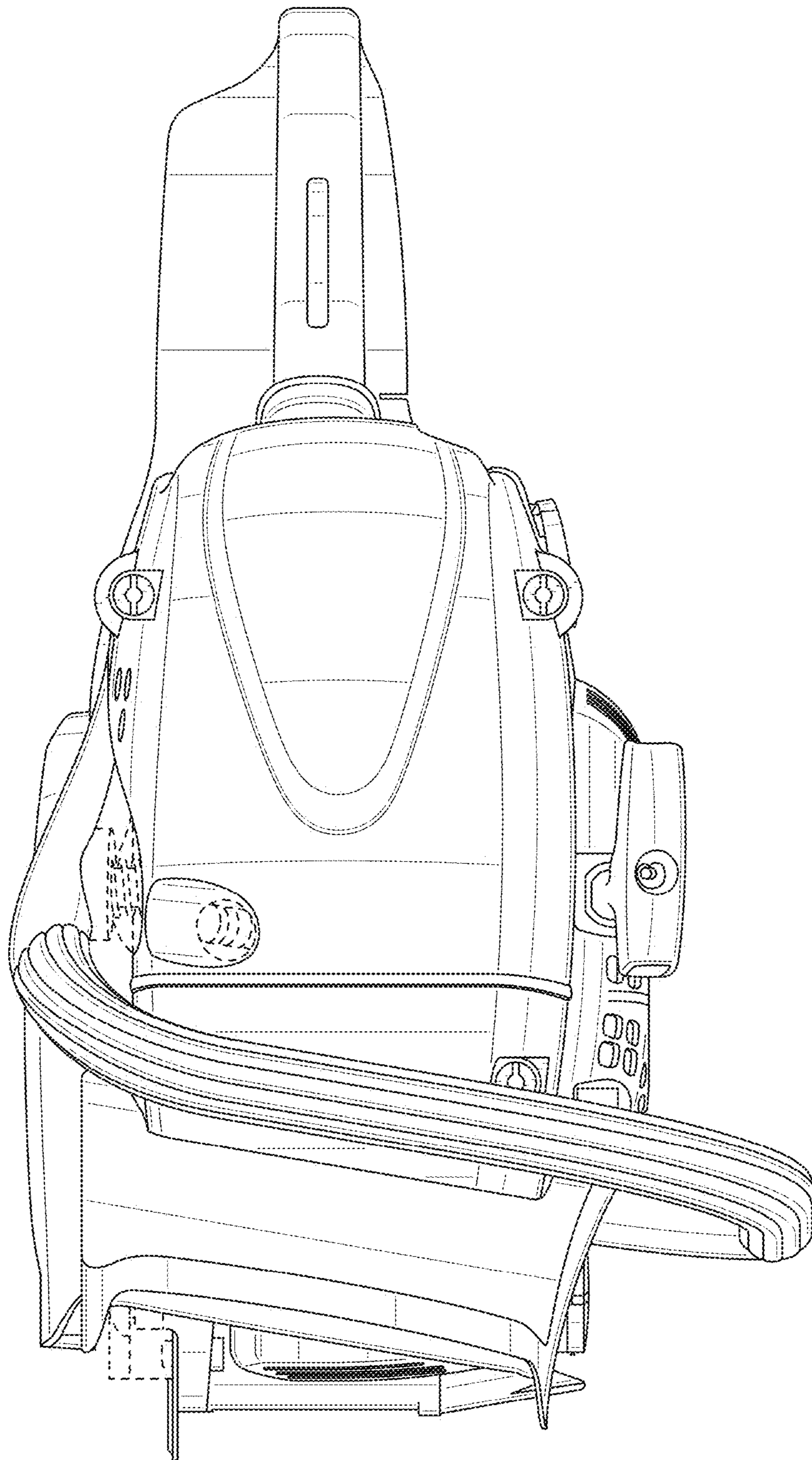


FIG. 6

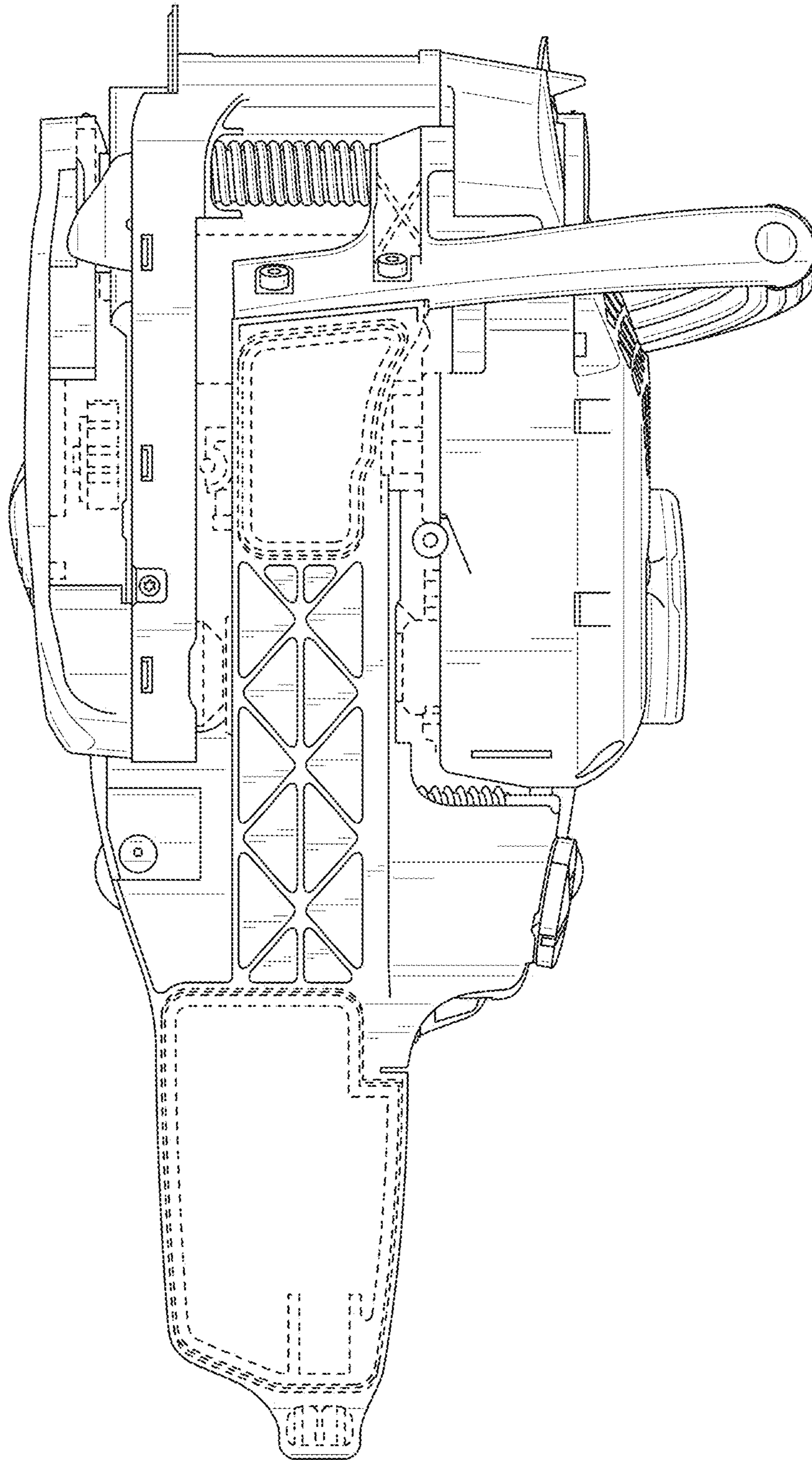


FIG. 7