



US00D729026S

(12) **United States Design Patent**
Qin et al.

(10) **Patent No.:** **US D729,026 S**
(45) **Date of Patent:** **** May 12, 2015**

- (54) **RATCHET LOCK**
- (71) Applicant: **Master Lock Company LLC**, Oak Creek, WI (US)
- (72) Inventors: **Jason Qin**, Guangzhou (CN); **Chen Weiguo**, Ningbo (CN)
- (73) Assignee: **Master Lock Company LLC**, Oak Creek, WI (US)

1,738,862 A 12/1929 Wiswell
 2,071,954 A 2/1937 Scruggs
 2,506,366 A 5/1950 Korn

(Continued)

FOREIGN PATENT DOCUMENTS

DE 2717157 9/1978
 EP 0042257 12/1981

(Continued)

OTHER PUBLICATIONS

Product Brochure, "16Ft Lock-Down 4,8 m Amarre de Trinquete", Keeper Corporation, 7 pages.

(Continued)

- (**) Term: **14 Years**
- (21) Appl. No.: **29/449,406**
- (22) Filed: **Mar. 15, 2013**

Related U.S. Application Data

- (62) Division of application No. 29/400,523, filed on Aug. 30, 2011, now Pat. No. Des. 681,411.

(51) **LOC (10) Cl.** **08-05**

(52) **U.S. Cl.**
USPC **D8/44; D8/107**

(58) **Field of Classification Search**
 CPC A44B 11/125; B25B 25/00; B25G 1/005;
 B25G 1/04; B60P 7/08823; B60P 7/083;
 B60P 7/0853; B60R 3/02; B65B 13/025;
 B65B 13/24; F16G 11/12
 USPC D8/14, 44, 107; 24/68 CD, 69 ST, 70 ST;
 254/217-220, 223, 225, 239; 410/100,
 410/103

See application file for complete search history.

(56) **References Cited**

U.S. PATENT DOCUMENTS

693,079 A 2/1902 Stoneman
 700,158 A 5/1902 Stoneman

Primary Examiner — Philip S Hyder

Assistant Examiner — Roselynn Cody

(74) *Attorney, Agent, or Firm* — Calfee, Halter & Griswold LLP

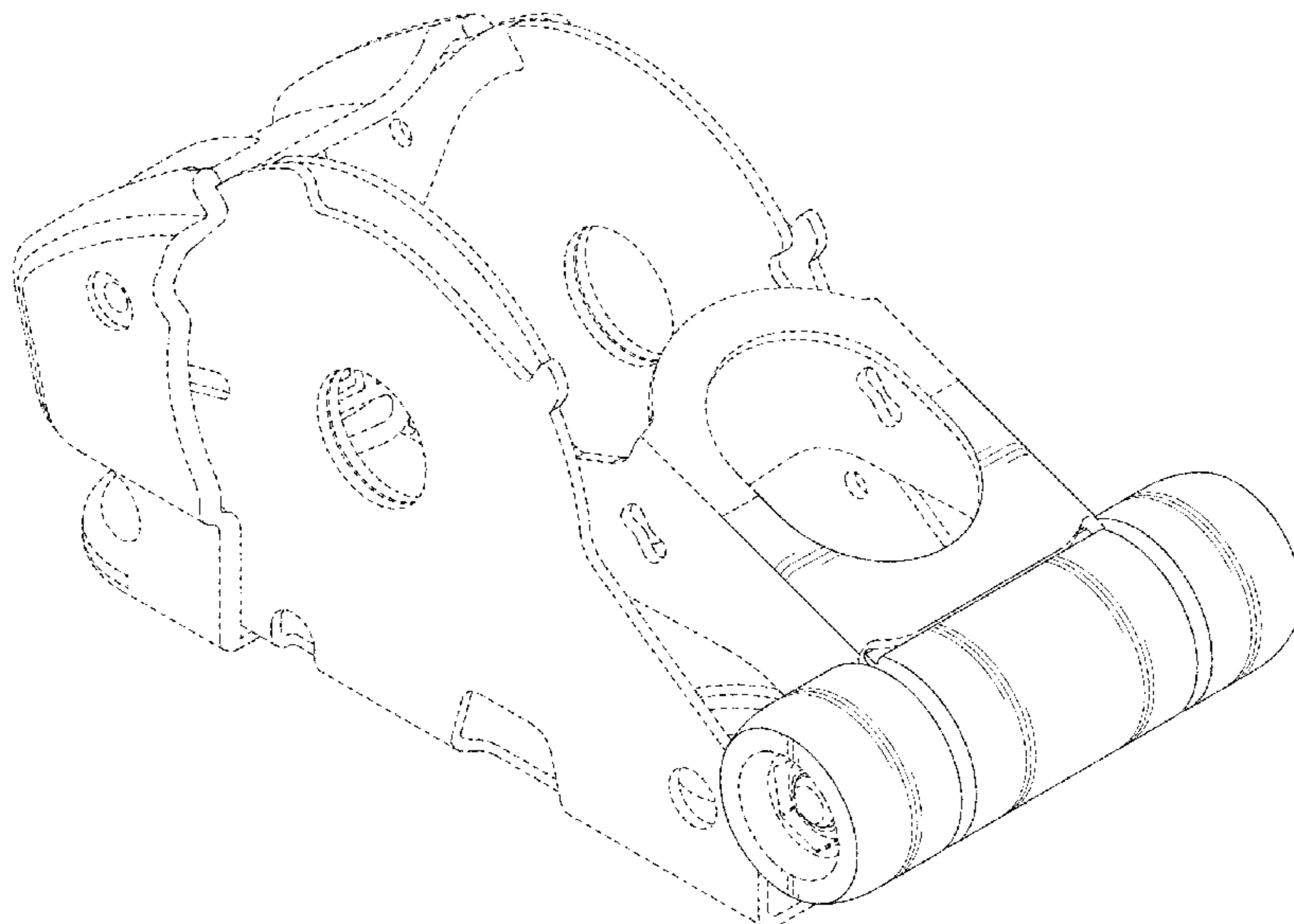
(57) **CLAIM**

We claim the ornamental design for a ratchet lock, as shown and described.

DESCRIPTION

FIG. 1 is a front perspective view of a ratchet lock showing the new design;
 FIG. 2 is a front view of the lock of FIG. 1;
 FIG. 3 is a rear view of the lock of FIG. 1;
 FIG. 4 is a top view of the lock of FIG. 1;
 FIG. 5 is a bottom view of the lock of FIG. 1;
 FIG. 6 is a left side view of the lock of FIG. 1; and,
 FIG. 7 is a right side view of the lock of FIG. 1.
 In the drawings, the broken lines depict portions of the ratchet lock that form no part of the claim.

1 Claim, 6 Drawing Sheets



(56)

References Cited

FOREIGN PATENT DOCUMENTS

U.S. PATENT DOCUMENTS

3,458,895 A 8/1969 Miller
 3,592,028 A 7/1971 LaMonica
 3,699,843 A 10/1972 Sweeny
 3,742,558 A * 7/1973 Lewis, Jr. 254/253
 3,875,771 A 4/1975 Reisner
 3,972,104 A 8/1976 Partin et al.
 4,120,216 A 10/1978 Goldberg
 4,185,360 A 1/1980 Prete, Jr. et al.
 D266,828 S 11/1982 Prete, Jr.
 4,542,883 A 9/1985 Rutzki
 4,622,721 A 11/1986 Smetz et al.
 4,685,315 A 8/1987 Comolli
 4,987,653 A 1/1991 Lin
 5,048,649 A 9/1991 Carpenter et al.
 D322,557 S 12/1991 Cummings
 5,103,536 A 4/1992 Kamper
 D328,840 S 8/1992 Jensen
 D332,382 S * 1/1993 Westcott D8/89
 5,205,020 A 4/1993 Kamper
 D335,627 S * 5/1993 Harris D9/455
 5,271,606 A 12/1993 Kamper
 5,549,429 A 8/1996 Sergent
 5,669,253 A 9/1997 Higgins
 5,692,403 A 12/1997 Ling
 5,778,496 A 7/1998 Huang
 5,819,377 A 10/1998 Huang
 5,943,742 A 8/1999 Huang
 6,007,053 A 12/1999 Huang
 6,044,669 A 4/2000 Levi
 6,125,682 A 10/2000 Rzasas et al.
 6,195,848 B1 3/2001 Jackson et al.
 6,199,412 B1 3/2001 Kennedy
 6,510,717 B1 1/2003 Levi
 6,524,041 B1 2/2003 Voiculescu
 6,547,218 B2 4/2003 Landy
 6,654,897 B1 11/2003 Dreps et al.
 6,684,667 B2 2/2004 Young
 6,705,811 B1 3/2004 Selby
 6,711,768 B2 3/2004 Maldonado
 6,880,810 B1 4/2005 Hu
 6,883,354 B1 4/2005 Yu
 D507,480 S 7/2005 Kopp et al.
 D526,560 S 8/2006 Poitrey
 D527,605 S 9/2006 Jackson
 7,121,122 B2 10/2006 Levi
 D534,051 S 12/2006 Jackson
 7,424,813 B2 9/2008 Wu
 D579,741 S 11/2008 Selby
 7,503,736 B1 3/2009 Chen
 7,775,536 B2 * 8/2010 Shumway 280/164.1
 D661,562 S 6/2012 Stevens et al.
 2001/0045548 A1 11/2001 Landy
 2006/0197071 A1 9/2006 Huang
 2007/0189873 A1 8/2007 Breeden
 2009/0119892 A1 5/2009 Breeden et al.
 2009/0133235 A1 5/2009 Chang
 2012/0167707 A1 7/2012 Chang

EP 0042258 12/1981
 EP 0085965 8/1983
 EP 0104155 3/1984
 EP 0246210 11/1987
 EP 0311828 4/1989
 EP 0429610 6/1991
 EP 04555085 11/1991
 EP 0489376 6/1992
 EP 0504557 9/1992
 EP 0580392 7/1993
 EP 0399726 11/1994
 EP 0634305 1/1995
 EP 0580392 B1 4/1996
 EP 0736698 10/1996
 EP 0848188 6/1998
 EP 1151687 11/2001
 EP 1266797 12/2002
 EP 1464537 6/2004
 EP 1524149 4/2005
 EP 2008867 6/2007
 EP 1876374 A1 1/2008
 EP 1939037 2/2008
 EP 1899195 3/2008
 FR 2433345 3/1980
 FR 2550694 2/1985
 FR 2152003 7/1985
 FR 2740521 4/1997
 FR 2783737 3/2000
 FR 2844229 3/2004
 FR 2915856 11/2008
 GB 2044873 10/1980
 GB 2105805 3/1983
 GB 2147071 A 5/1985
 GB 2148436 5/1985
 GB 2287514 9/1995
 GB 2340871 1/2000
 GB 2341888 3/2000
 GB 2381827 5/2003
 GB 2392705 3/2004
 GB 2395517 5/2004
 WO 2008039073 4/2008
 WO 2008094146 8/2008
 WO 2010031931 3/2010

OTHER PUBLICATIONS

<http://www.highlandusa.com/>.
 Printout from website, Product Details-Ratchet-Heavy Duty-Titan
 Cast Hand Ratchet Tie Down #1157400, printed Oct. 6, 2010, 2
 pages.
 Printout from website, Product Details-Ratchet-Heavy Duty-Titan
 Cast Hand Ratchet Tie Down #1157500, printed Oct. 16, 2010; 2
 pages.
<http://www.smartstraps.com/products/RatchetX.aspx>.

* cited by examiner

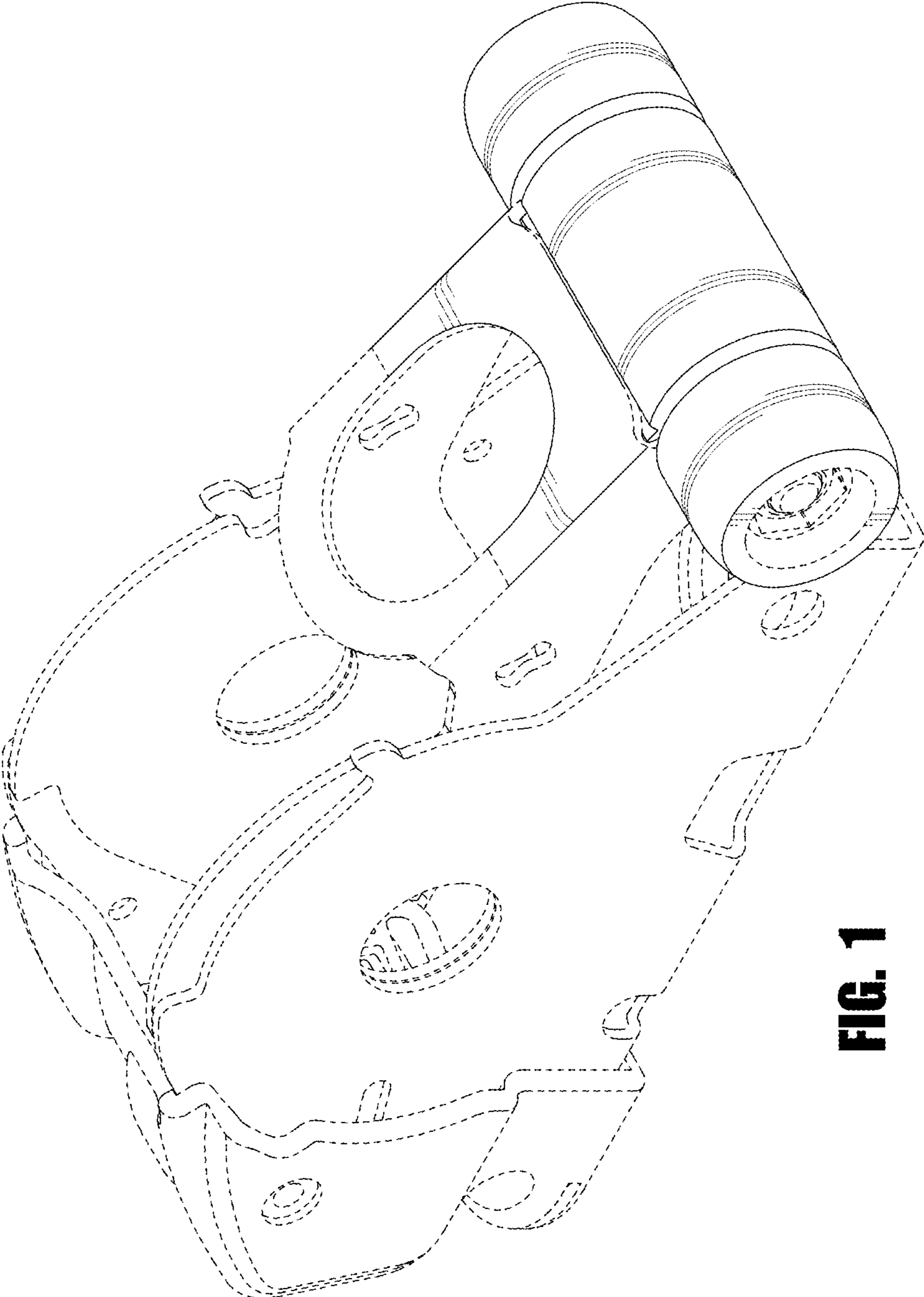


FIG. 1

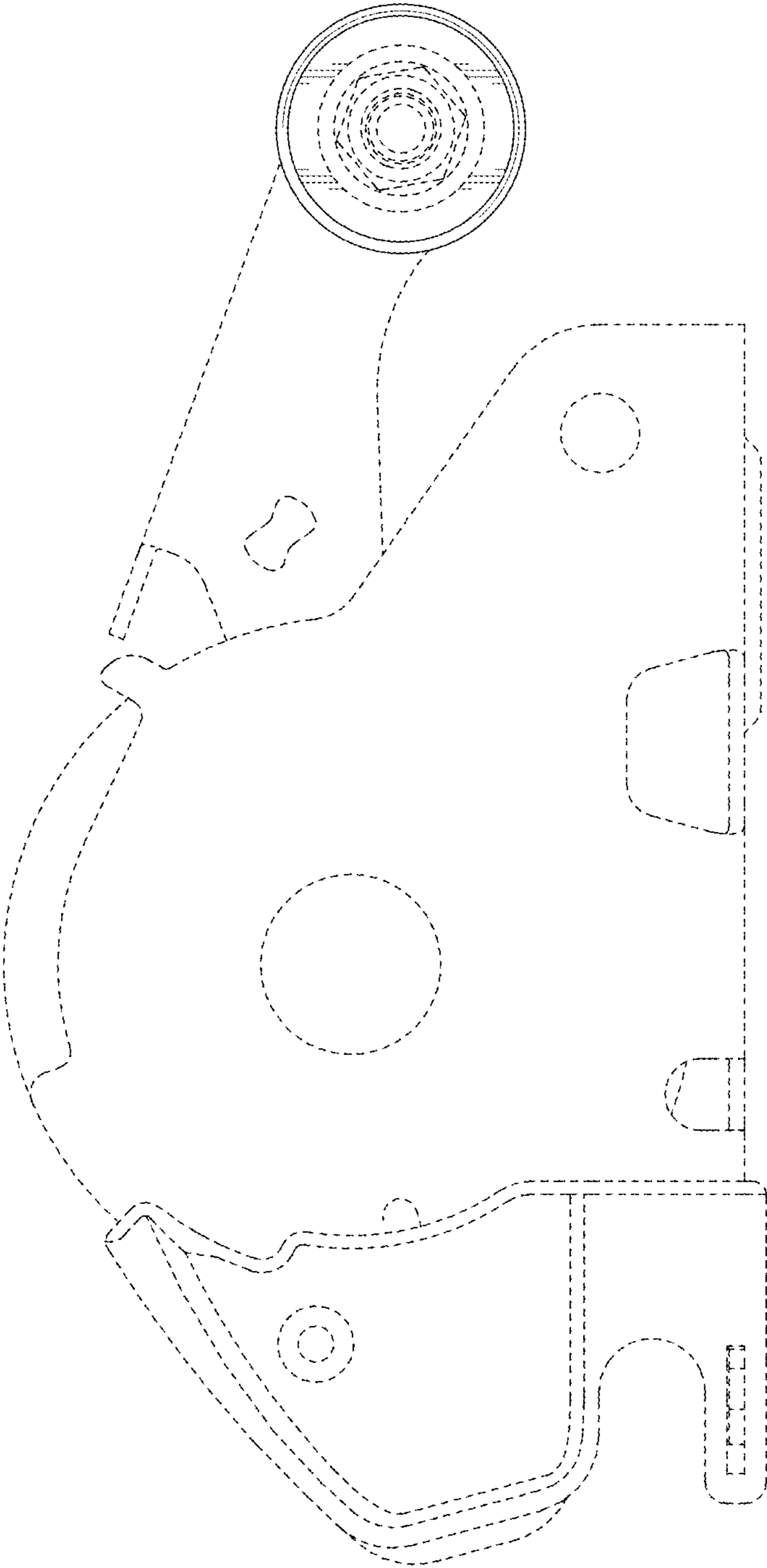


FIG. 2

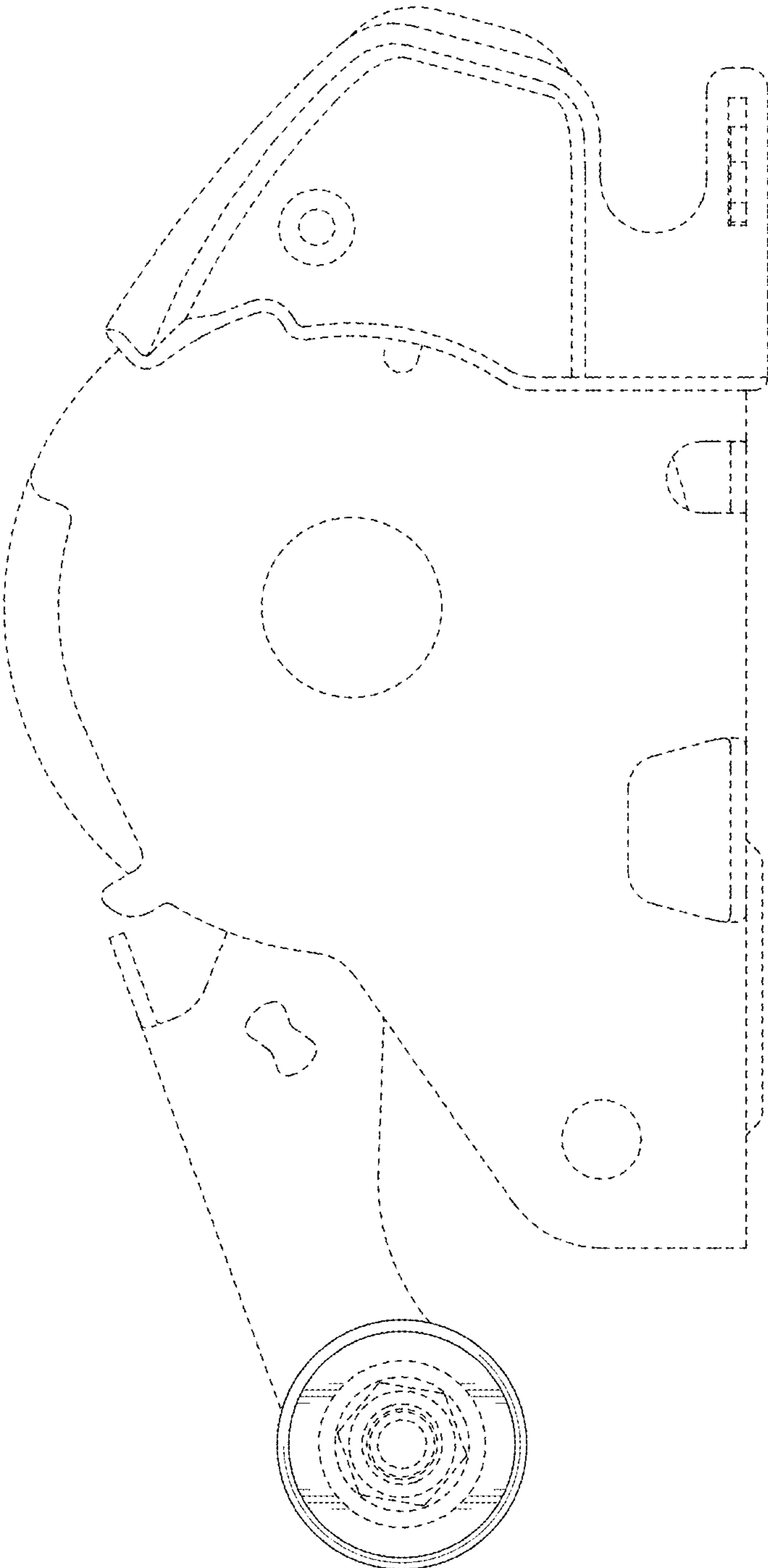


FIG. 3

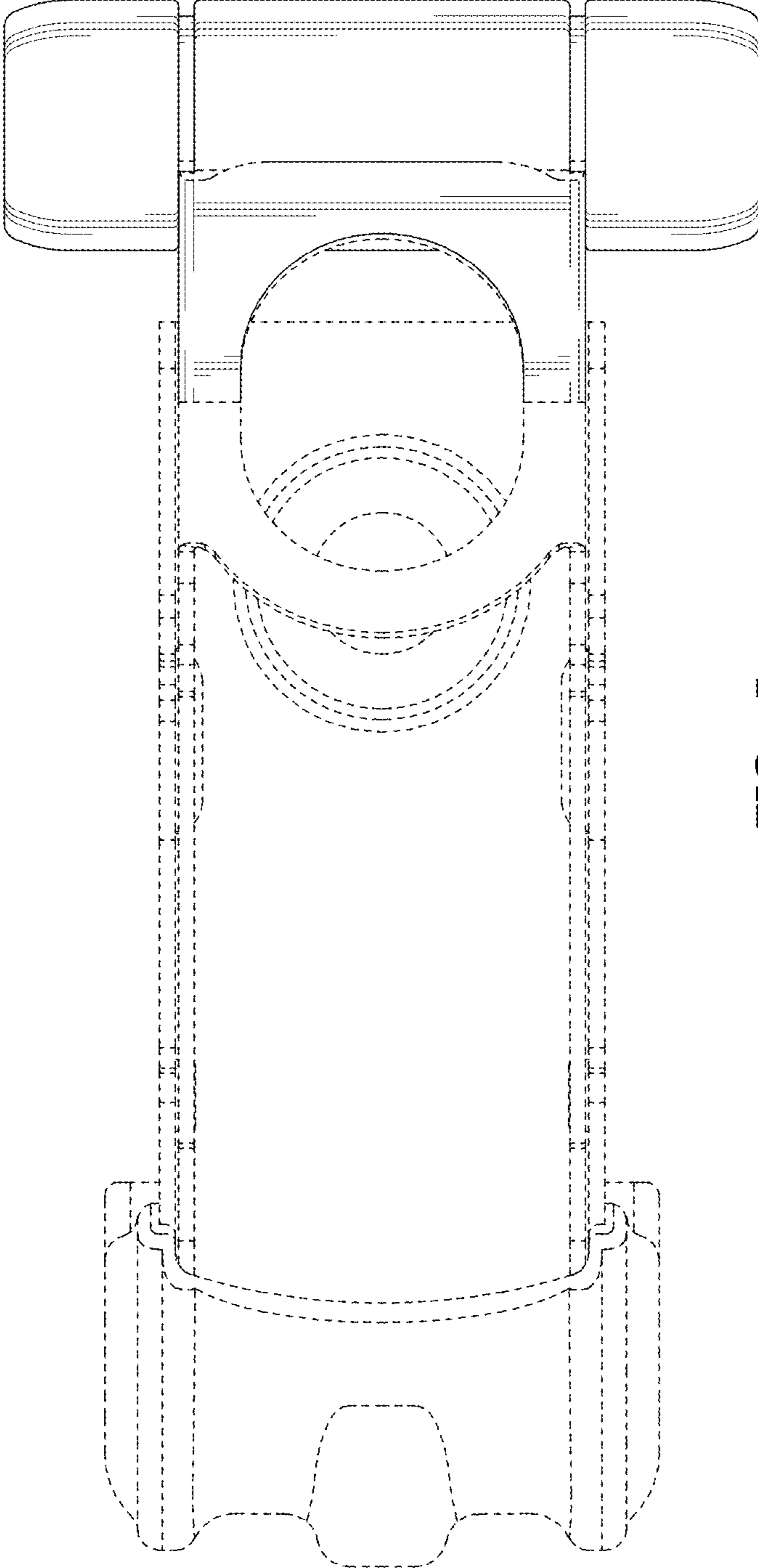


FIG. 4

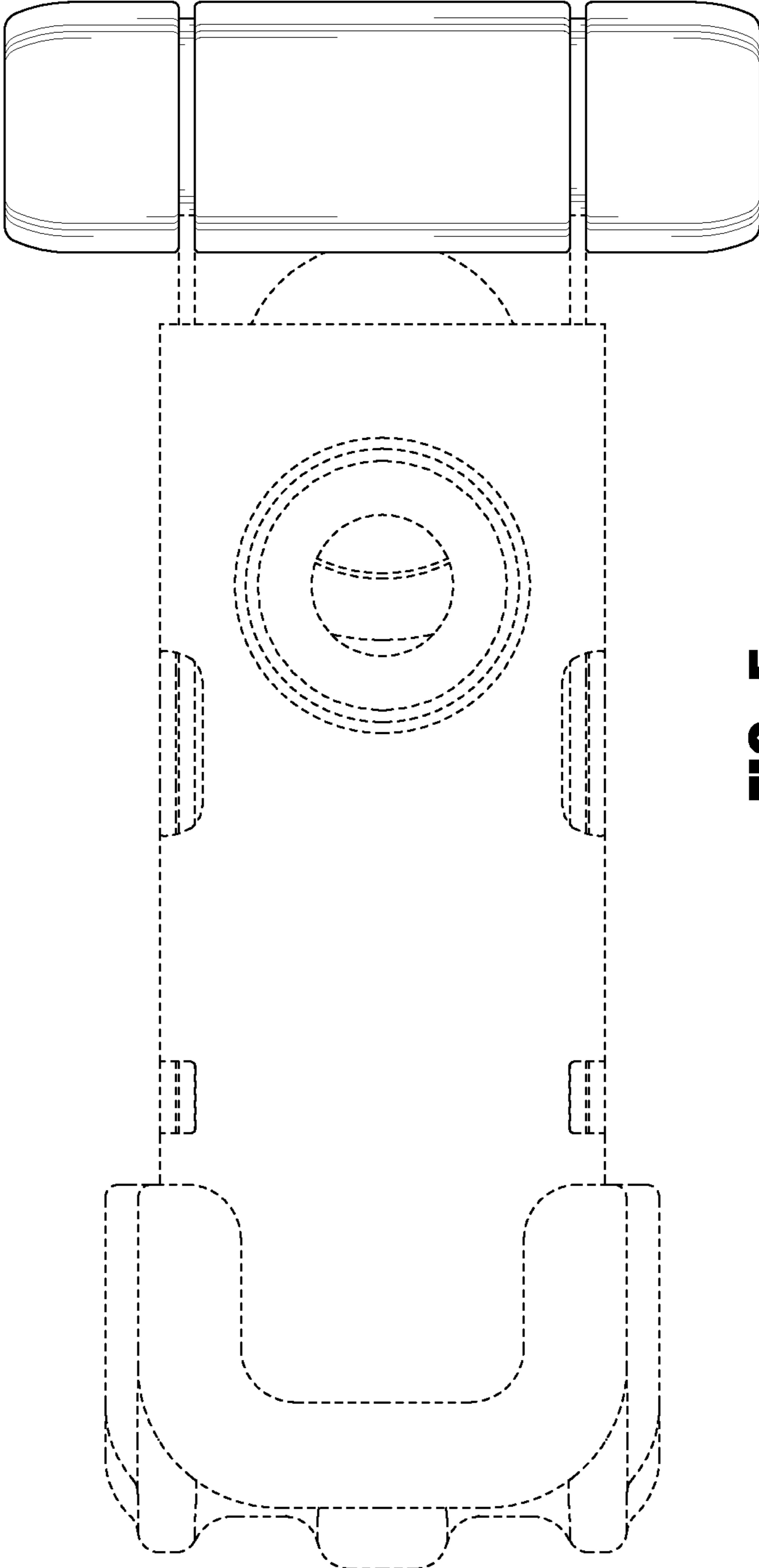


FIG. 5

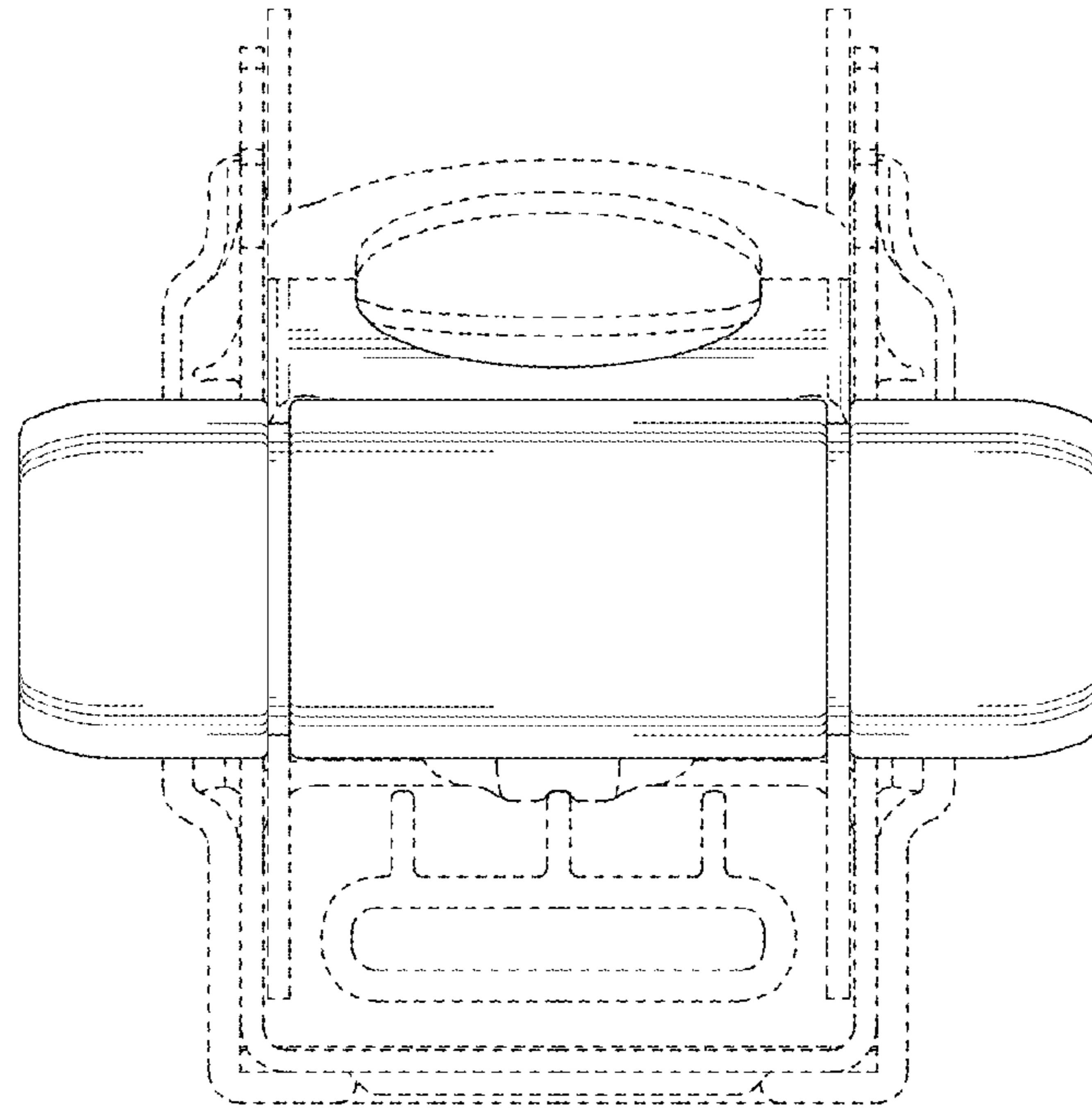


FIG. 6

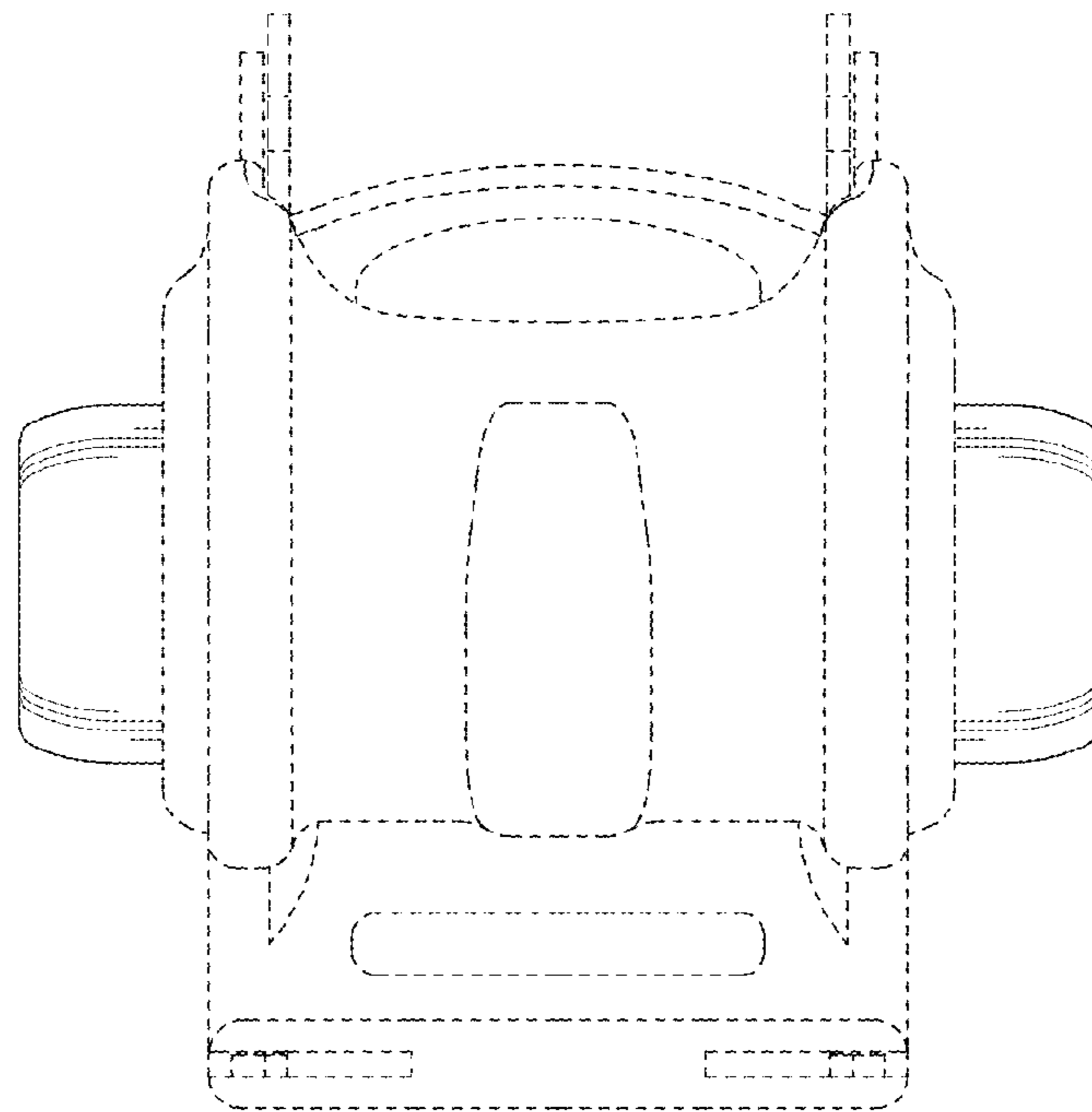


FIG. 7