



US00D729021S

(12) **United States Design Patent**
Goodman et al.

(10) **Patent No.:** **US D729,021 S**
(45) **Date of Patent:** **** May 12, 2015**

- (54) **LID ORGANIZER**
- (71) Applicant: **Spectrum Diversified Designs, Inc.**,
Streetsboro, OH (US)
- (72) Inventors: **Sheldon H. Goodman**, Solon, OH (US);
Phaysouk Xayoiphonh, Akron, OH
(US); **Jennifer Case**, Middleburg
Heights, OH (US)
- (73) Assignee: **Spectrum Diversified Designs, Inc.**,
Streetsboro, OH (US)
- (**) Term: **14 Years**

1,621,465	A	*	3/1927	Hammes	211/44
2,479,118	A	*	8/1949	Jeness	211/41.5
D221,703	S	*	8/1971	Fleming	D19/90
D231,178	S	*	4/1974	Shrewsbury	D6/407
4,346,806	A	*	8/1982	Bustos	211/59.4
D295,125	S	*	4/1988	Chap	D7/601
D297,489	S	*	9/1988	Chap et al.	D7/601
D329,954	S	*	10/1992	Sharon et al.	D6/462
D334,493	S	*	4/1993	Penar	D6/462
D353,400	S	*	12/1994	Goodman et al.	D19/90
D363,578	S	*	10/1995	Brightbill et al.	D32/55
D444,020	S	*	6/2001	Muth	D6/630
D472,681	S	*	4/2003	Melius	D30/133
D494,422	S	*	8/2004	Compagnucci	D7/601
D506,855	S	*	6/2005	Compagnucci	D32/3

(Continued)

- (21) Appl. No.: **29/446,939**
- (22) Filed: **Feb. 28, 2013**
- (51) **LOC (10) Cl.** **07-06**
- (52) **U.S. Cl.**
USPC **D7/704**
- (58) **Field of Classification Search**
USPC D7/631-634, 704, 600.1-600.4, 590,
D7/592, 596, 701, 602, 702, 705, 637, 638,
D7/641; D6/673, 675.2, 675.5, 676.5,
D6/677.5, 678.4, 680.3, 329, 677, 677.1,
D6/677.2, 514, 515, 519, 524, 512, 513;
D19/90, 86, 75, 84, 85, 92, 95;
D32/55; D30/121, 128, 129, 131, 133;
D3/20, 26, 210, 229, 257, 258, 328,
D3/304, 306; 211/41.1-41.4, 11, 126.9,
211/133.5, 85.4, 70.7, 71.01, 74; 119/51.5
See application file for complete search history.

(56) **References Cited**

U.S. PATENT DOCUMENTS

386,674	A	*	7/1888	Wells	211/11
423,647	A	*	3/1890	Wells	211/11
428,555	A	*	5/1890	Dom	211/11
451,729	A	*	5/1891	Dom	211/11
1,246,940	A	*	11/1917	Safford	211/41.1
1,254,287	A	*	1/1918	Sterling	211/41.4

OTHER PUBLICATIONS

Cookware Organizer—Wayback Machine, [online], crawled on Apr. 16, 2012, retrieved on Aug. 6, 2014. Retrieved from, <URL: <http://web.archive.org/web/2012041602323/http://www.kitchensource.com/cabinet-organizers/rv-5389cr.htm>>, 1 page.*

Primary Examiner — Ian Simmons

Assistant Examiner — Shannon Morgan

(74) *Attorney, Agent, or Firm* — Renner, Otto, Boisselle & Sklar, LLP

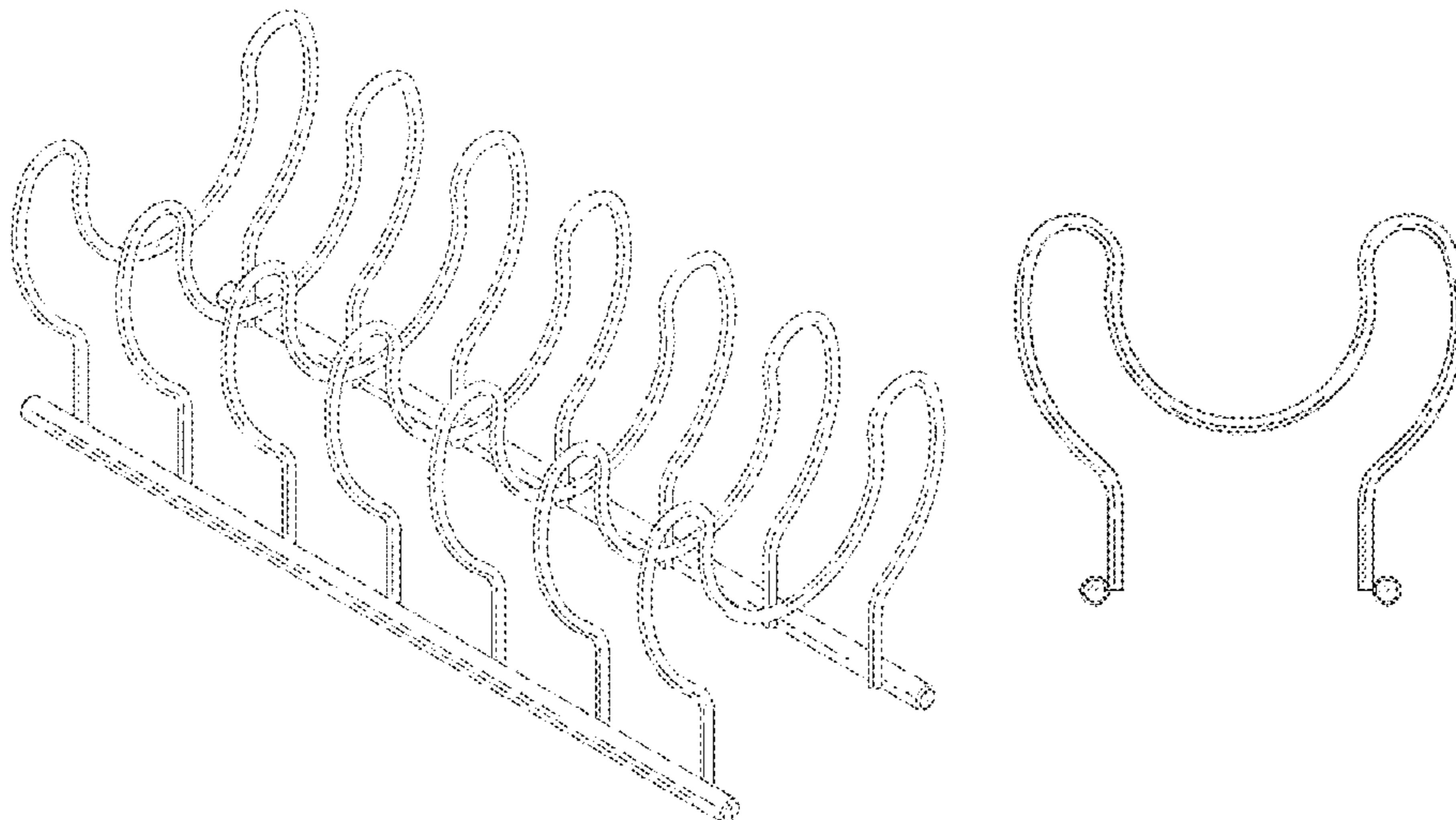
(57) **CLAIM**

The ornamental design for a lid organizer, as shown and described.

DESCRIPTION

FIG. 1 is a top, front, right perspective view of a lid organizer showing our new design;
FIG. 2 is a front elevational view thereof, the rear elevational view being a mirror image thereof;
FIG. 3 is right side view thereof, the opposite side view being a mirror image thereof;
FIG. 4 is a top plan view thereof; and,
FIG. 5 is a bottom plan view thereof.

1 Claim, 3 Drawing Sheets



(56)

References Cited

U.S. PATENT DOCUMENTS

D538,496 S * 3/2007 Plikuhn D32/55
D567,540 S * 4/2008 Klein et al. D6/462
D568,056 S * 5/2008 Yarborough D6/317
D572,939 S * 7/2008 Murray D6/566

D588,378 S * 3/2009 Goodman et al. D6/462
D628,856 S * 12/2010 Wang et al. D7/601
D639,613 S * 6/2011 Goodman et al. D7/632
D670,339 S * 11/2012 Mitchell D19/90
D677,077 S * 3/2013 Selby D6/678.4
2003/0213759 A1* 11/2003 Compagnucci 211/41.11
2009/0211994 A1* 8/2009 Yang et al. 211/41.4

* cited by examiner

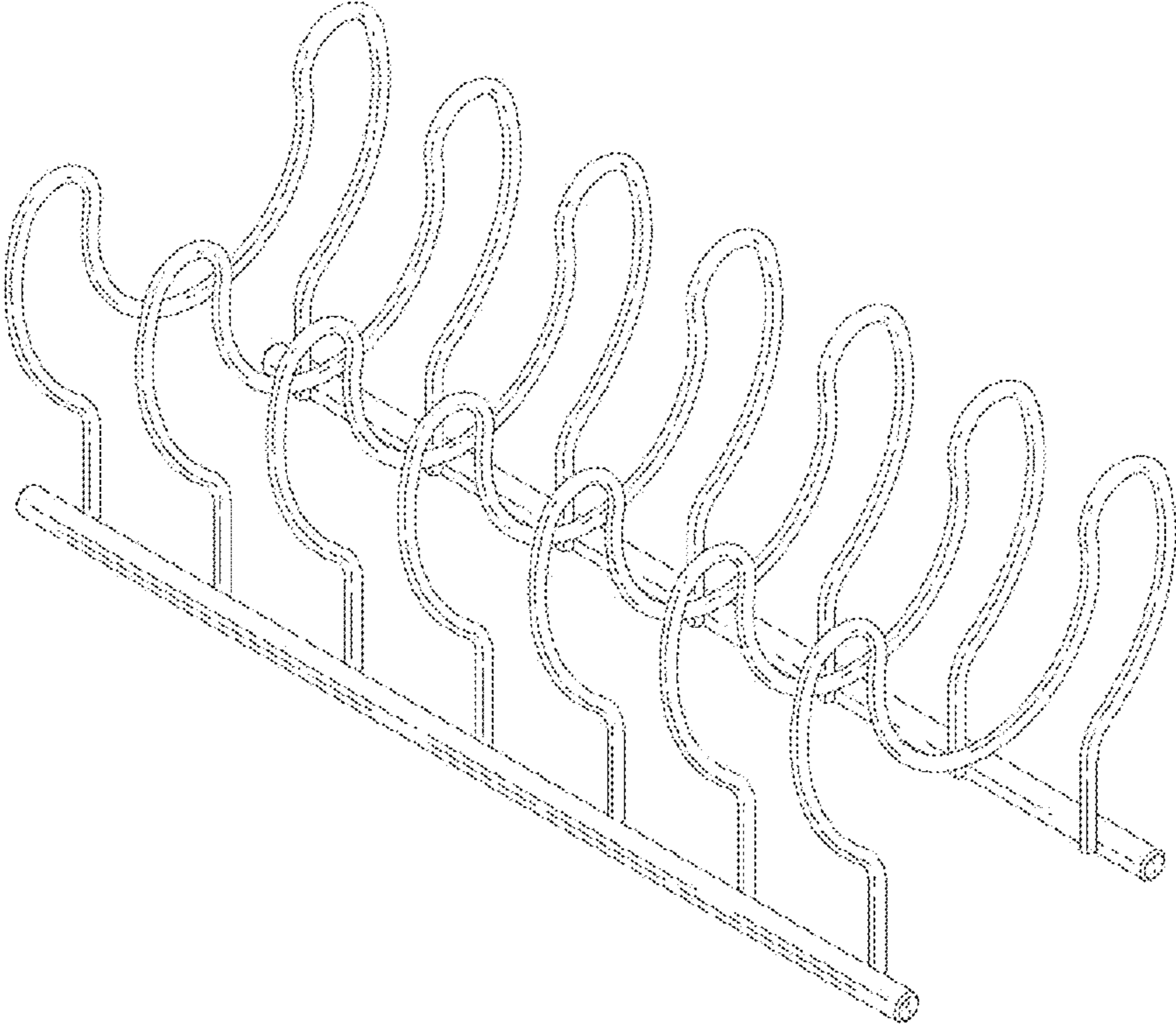


FIG. 1

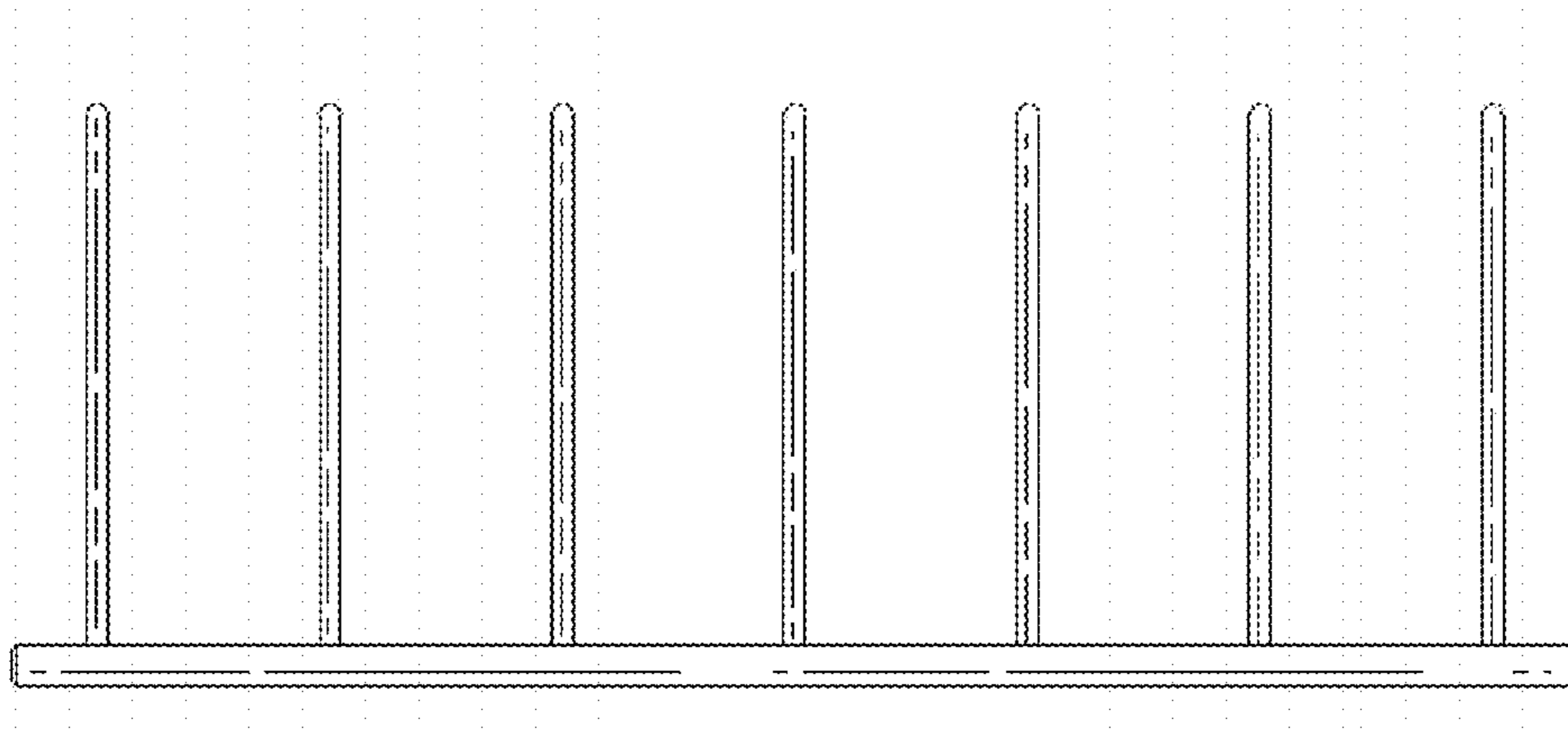


FIG. 2

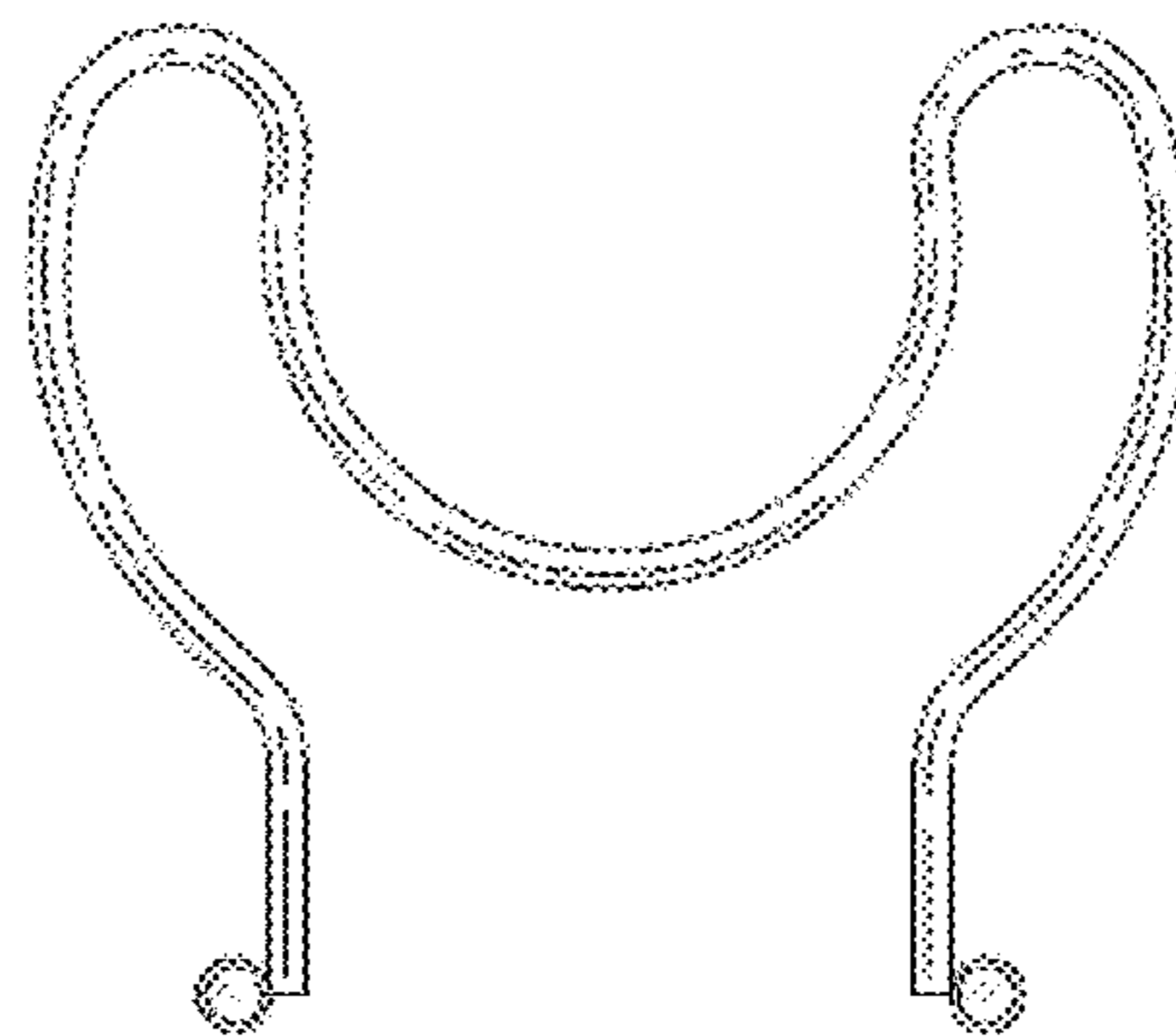


FIG. 3

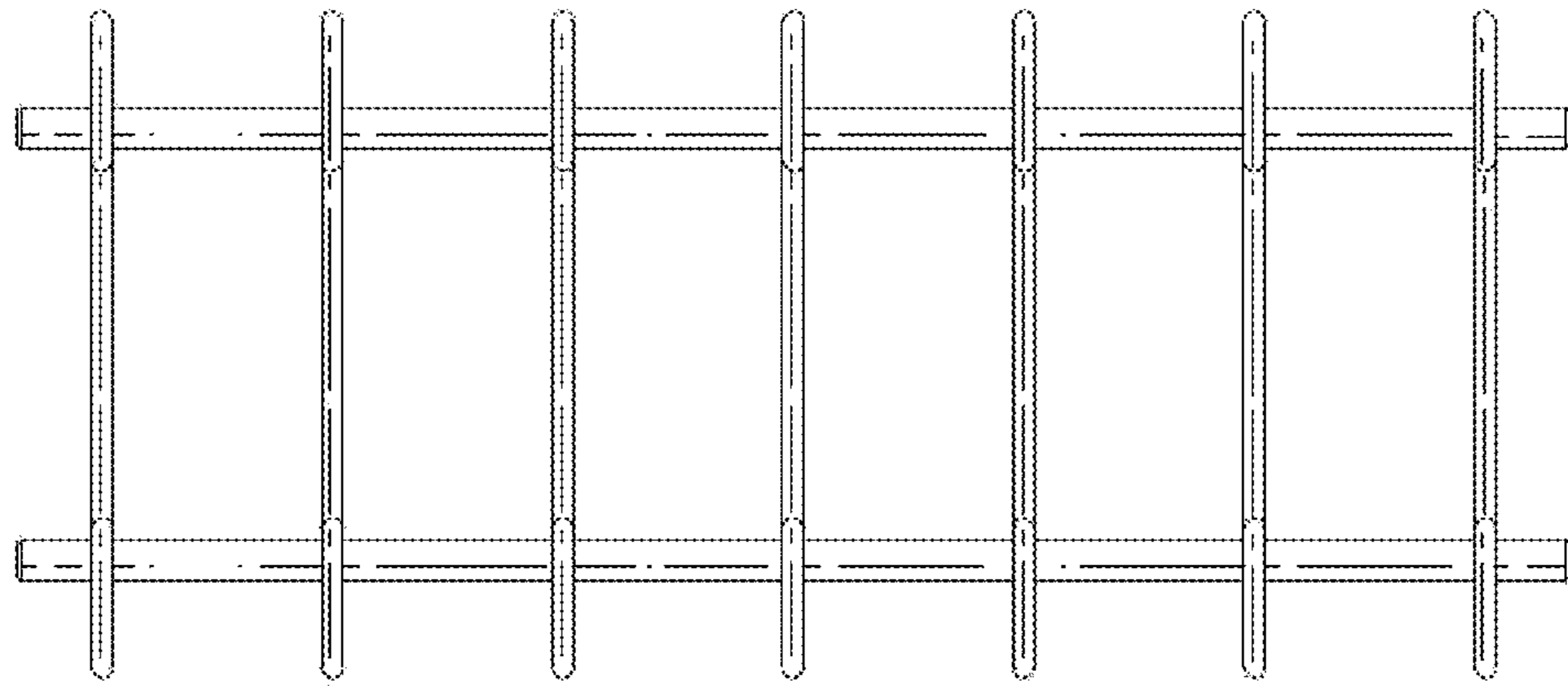


FIG. 4

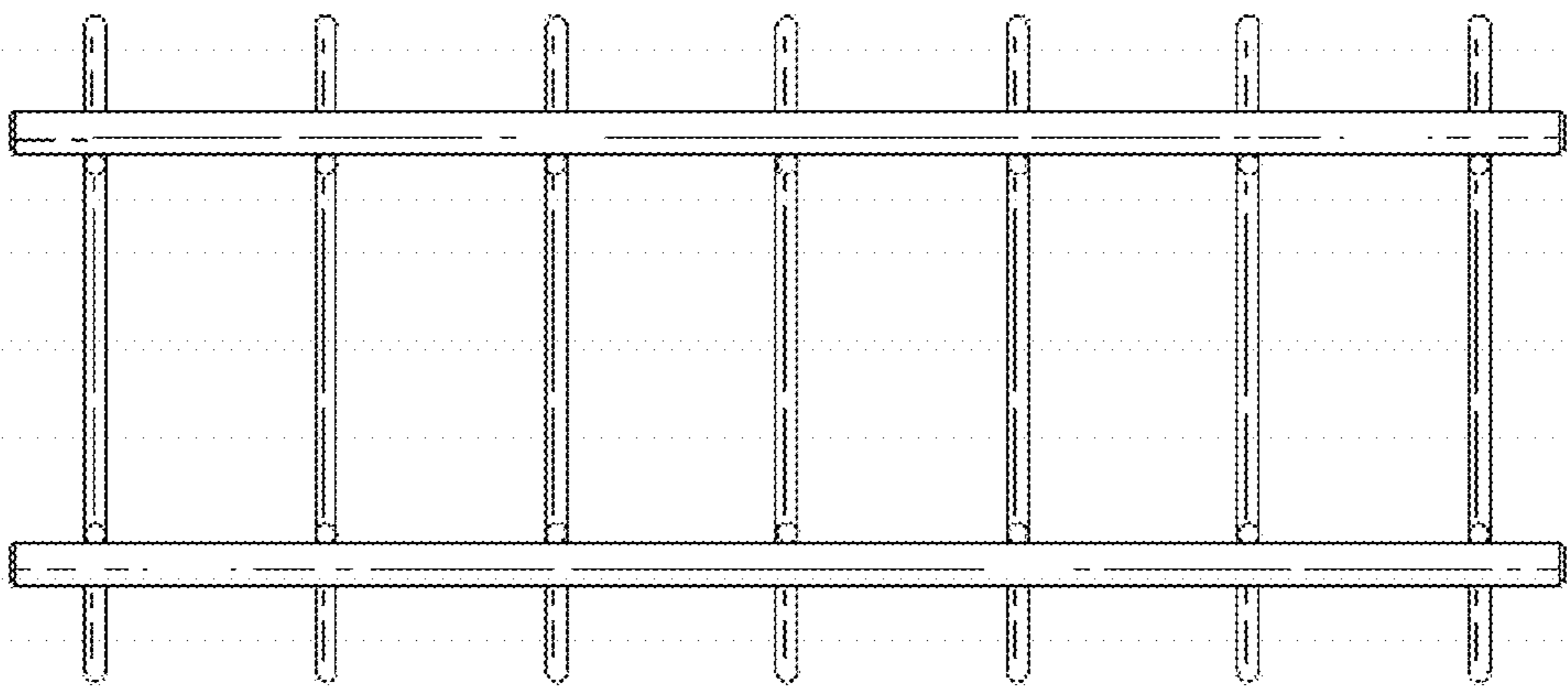


FIG. 5