



US00D729019S

(12) **United States Design Patent**
Kilduff et al.

(10) **Patent No.:** **US D729,019 S**

(45) **Date of Patent:** **** May 12, 2015**

(54) **STORAGE CONTAINER**

(71) Applicants: **Edward Kilduff**, New York, NY (US);
Shane Blomberg, Brooklyn, NY (US)

(72) Inventors: **Edward Kilduff**, New York, NY (US);
Shane Blomberg, Brooklyn, NY (US)

(73) Assignee: **Pollen Design, Inc.**, New York, NY (US)

(**) Term: **14 Years**

(21) Appl. No.: **29/510,534**

(22) Filed: **Nov. 30, 2014**

Related U.S. Application Data

(63) Continuation-in-part of application No. 29/477,409,
filed on Dec. 20, 2013.

(51) **LOC (10) Cl.** **07-07**

(52) **U.S. Cl.**
USPC **D7/630**; D7/629; D7/615

(58) **Field of Classification Search**
USPC D7/608, 612-615, 629, 630, 601, 602;
220/23.86, 780-806, 574-575; 215/6,
215/12.1, 12.2; D9/529, 530, 537, 541,
D9/549, 559, 574, 575

See application file for complete search history.

(56) **References Cited**

U.S. PATENT DOCUMENTS

D590,667 S * 4/2009 Trombly D7/629
D641,594 S * 7/2011 Huang D7/629

8,342,349 B2 * 1/2013 Lu 220/23.86
D686,885 S * 7/2013 Meyers et al. D7/629
2010/0200438 A1 * 8/2010 Davies 206/223

* cited by examiner

Primary Examiner — Terry Wallace

(74) *Attorney, Agent, or Firm* — Klauber & Jackson LLC

(57) **CLAIM**

The ornamental design for a storage container, as shown and described.

DESCRIPTION

FIG. 1 is a right side view of the storage container of our new design in the open position, the left side view being the mirror image thereof;

FIG. 2 is a front view of the storage container of FIG. 1;

FIG. 3 is a perspective view of the storage container in the open position, showing the bottom, front and right side of the lid;

FIG. 4 is a perspective view like that of FIG. 3, showing the top, front and right side of the lid;

FIG. 5 is a top view of the storage container of FIG. 1;

FIG. 6 is a bottom view thereof;

FIG. 7 is a top, front, left side perspective view of the lid, shown separately for clarity of illustration.

FIG. 8 is a bottom, front, left side perspective view of FIG. 7.

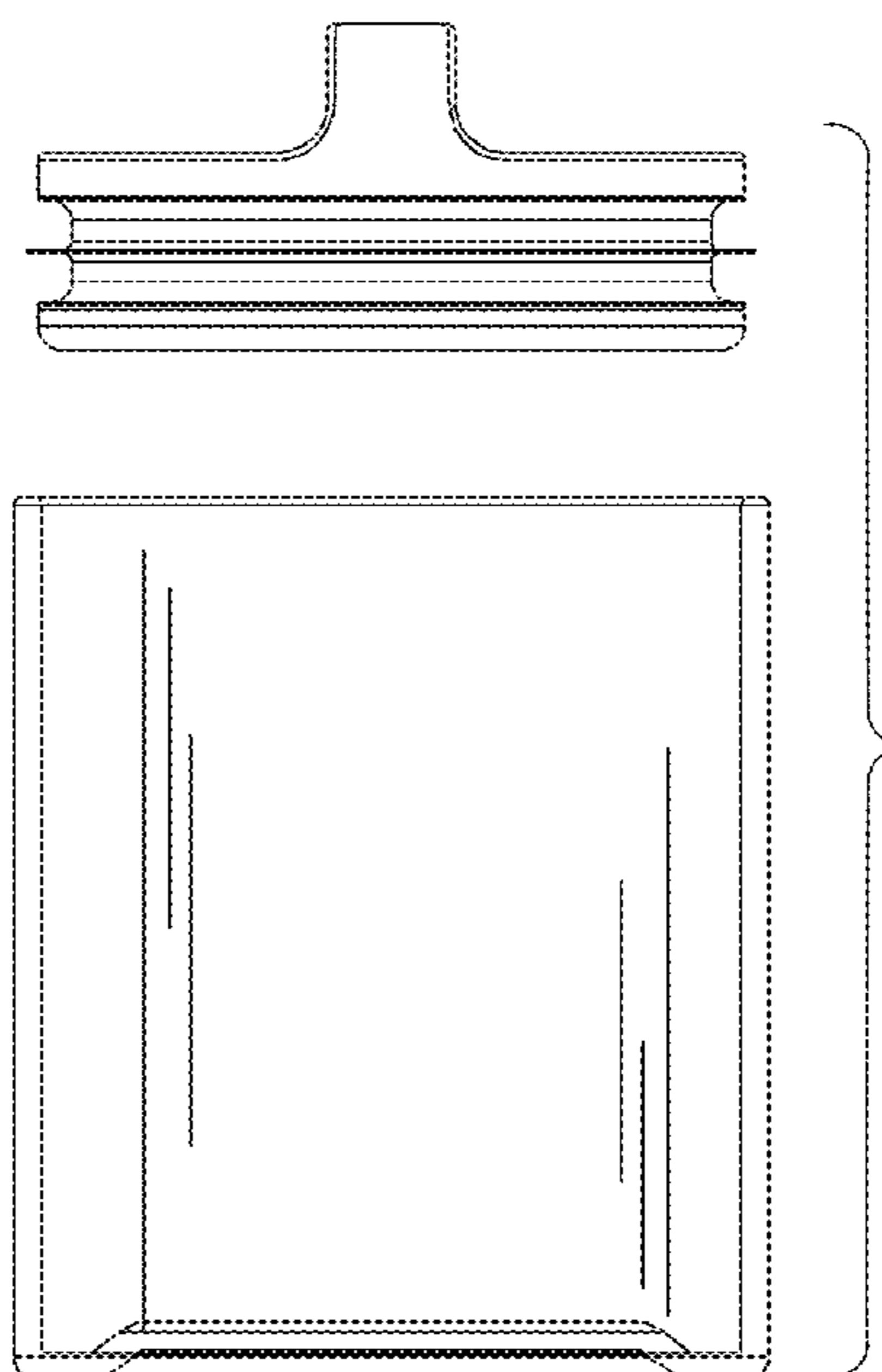
FIG. 9 is a side view of FIG. 7, the opposite side being a mirror image.

FIG. 10 is a front view of FIG. 7, the opposite side being a mirror image.

FIG. 11 is a top plan view of FIG. 7; and,

FIG. 12 is a bottom plan view of FIG. 7.

1 Claim, 6 Drawing Sheets



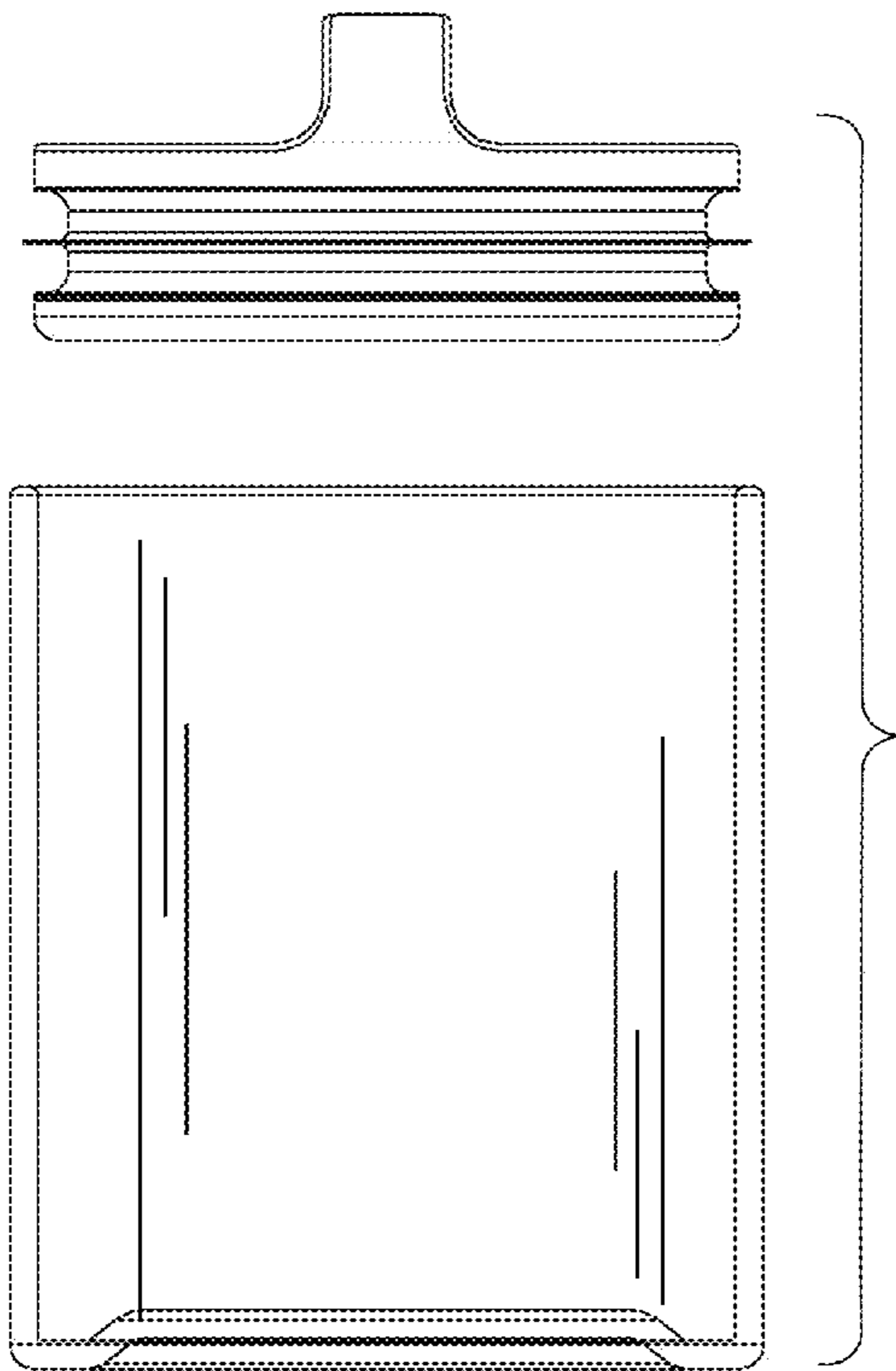


Fig. 1

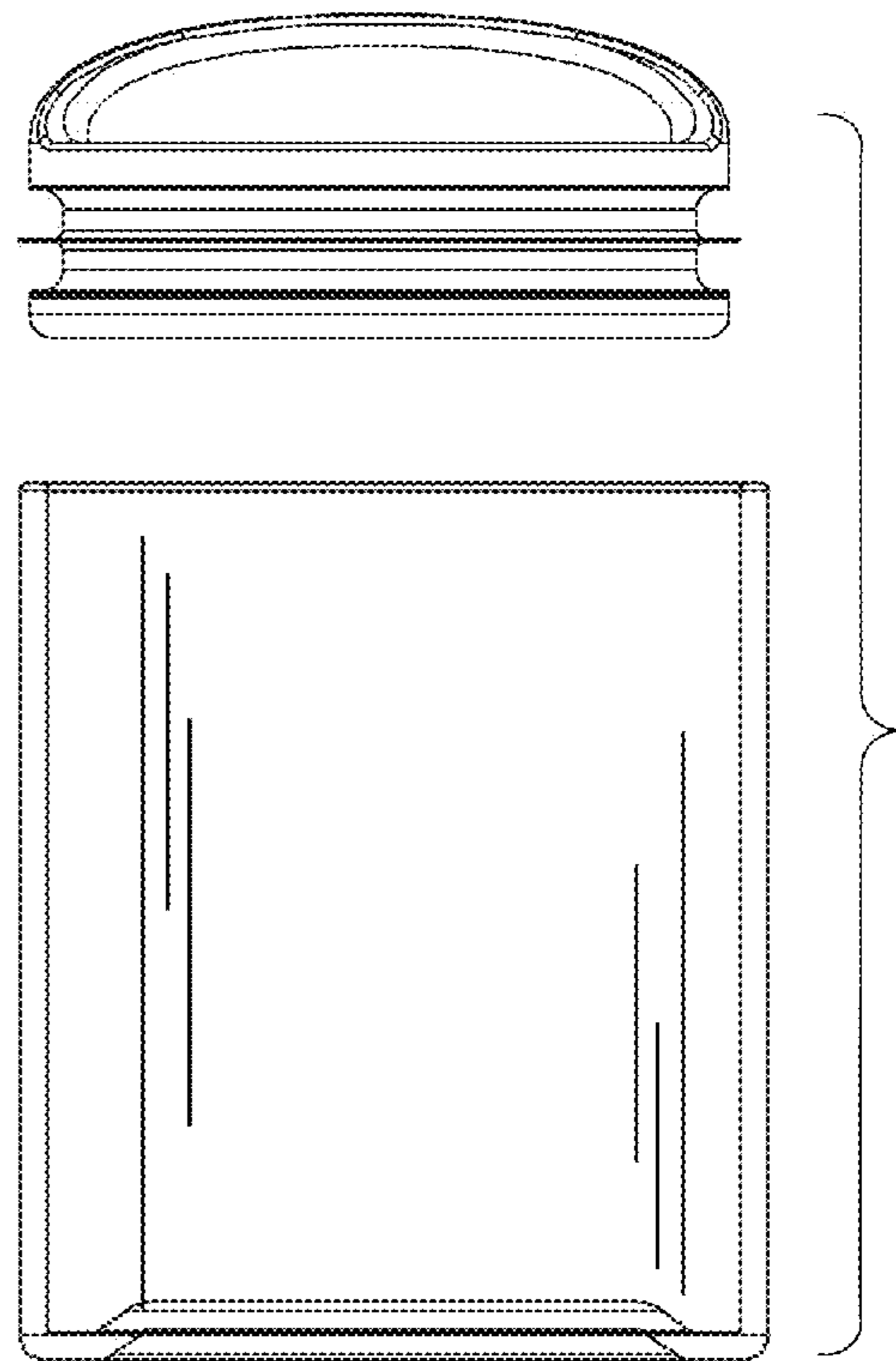


Fig. 2

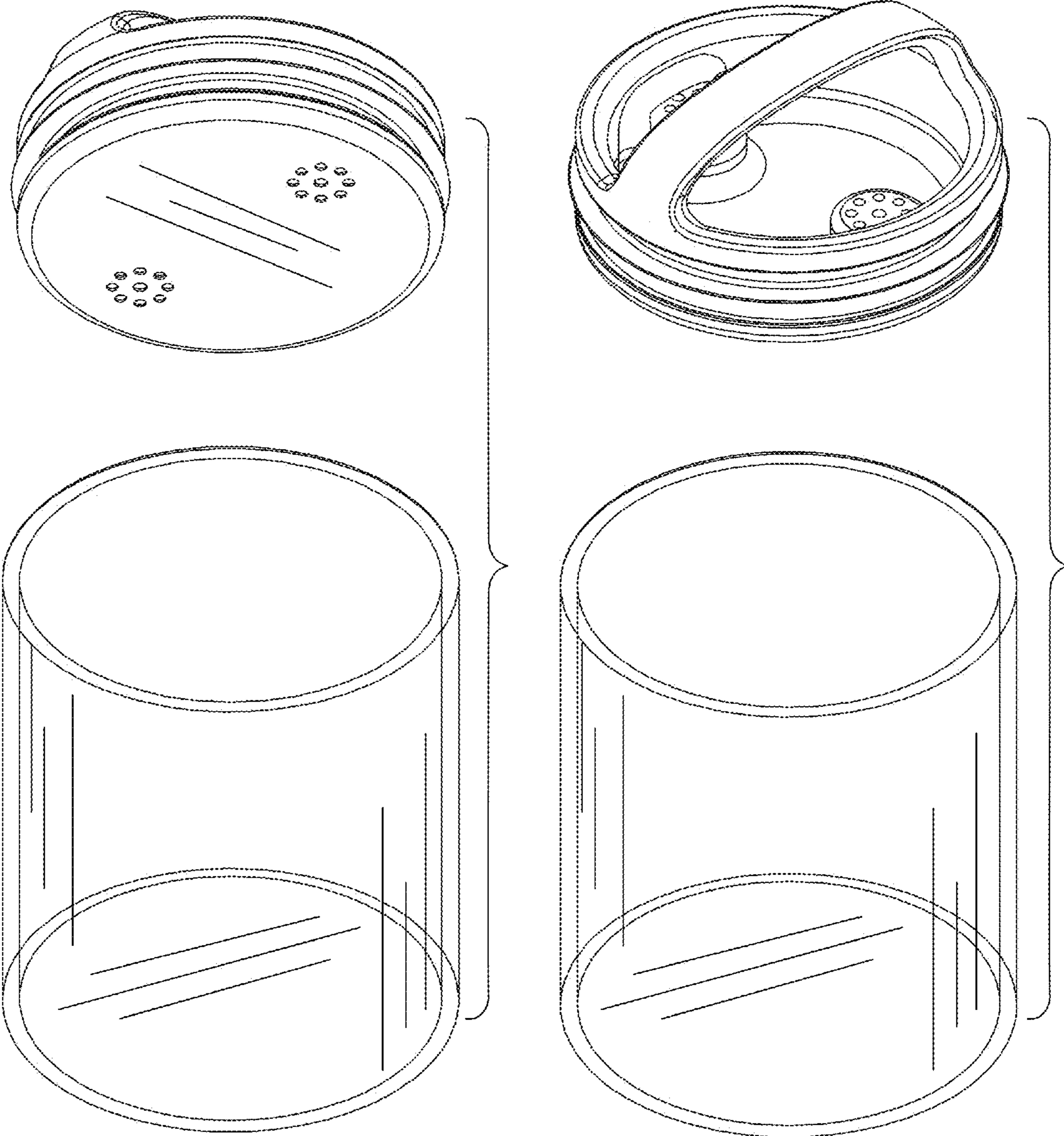


Fig. 3

Fig. 4

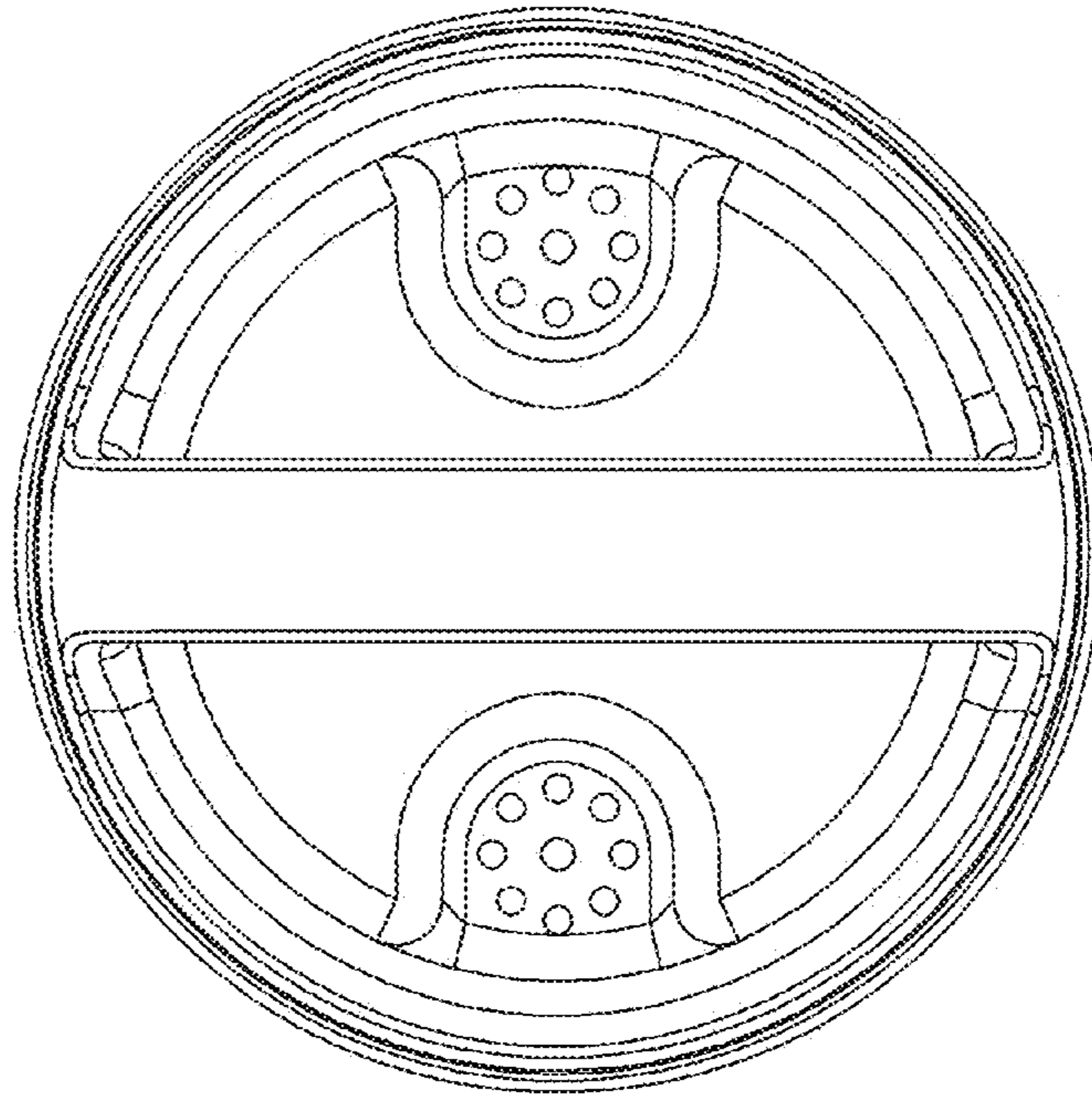


Fig. 5

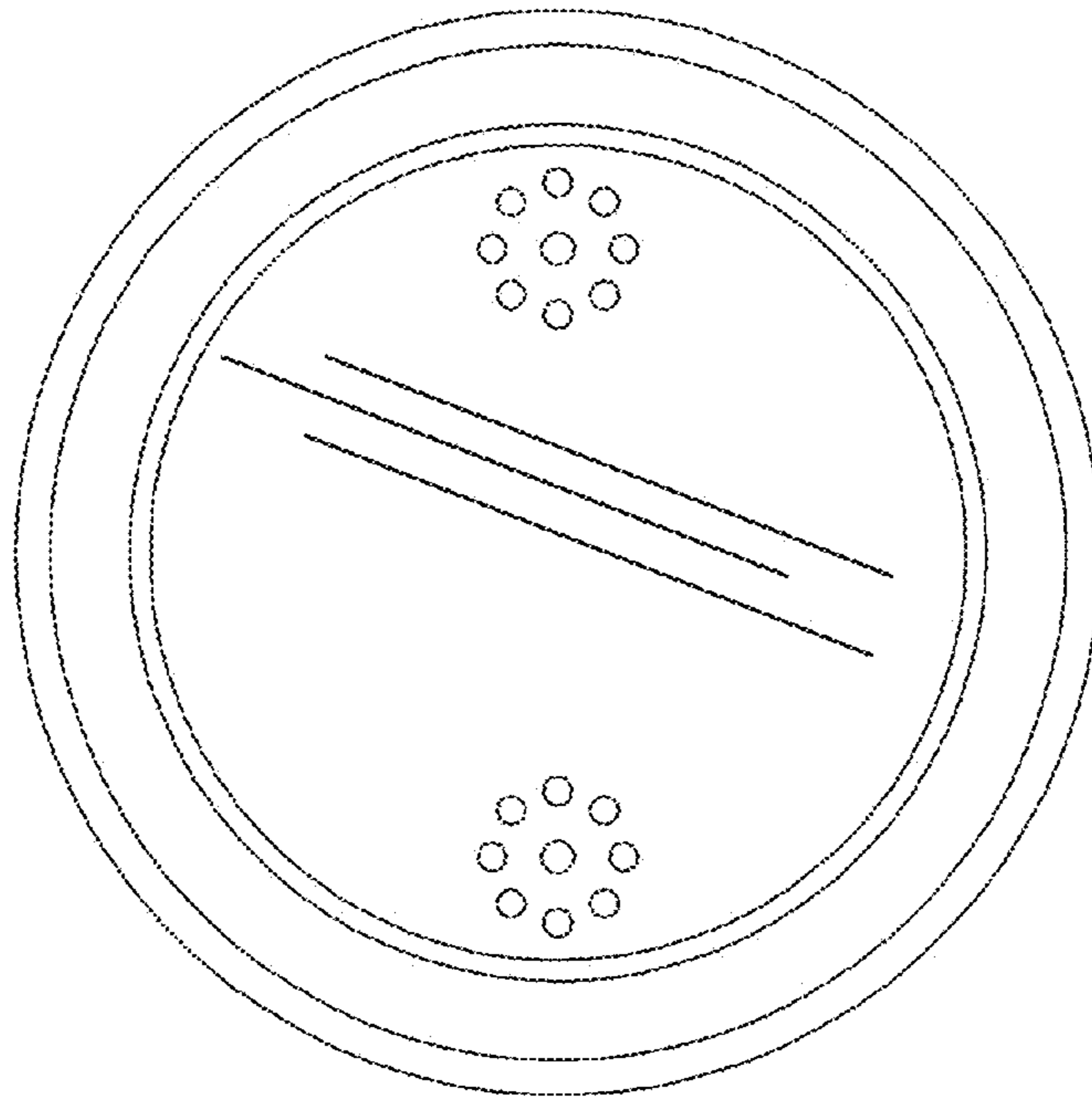


Fig. 6

Fig. 7

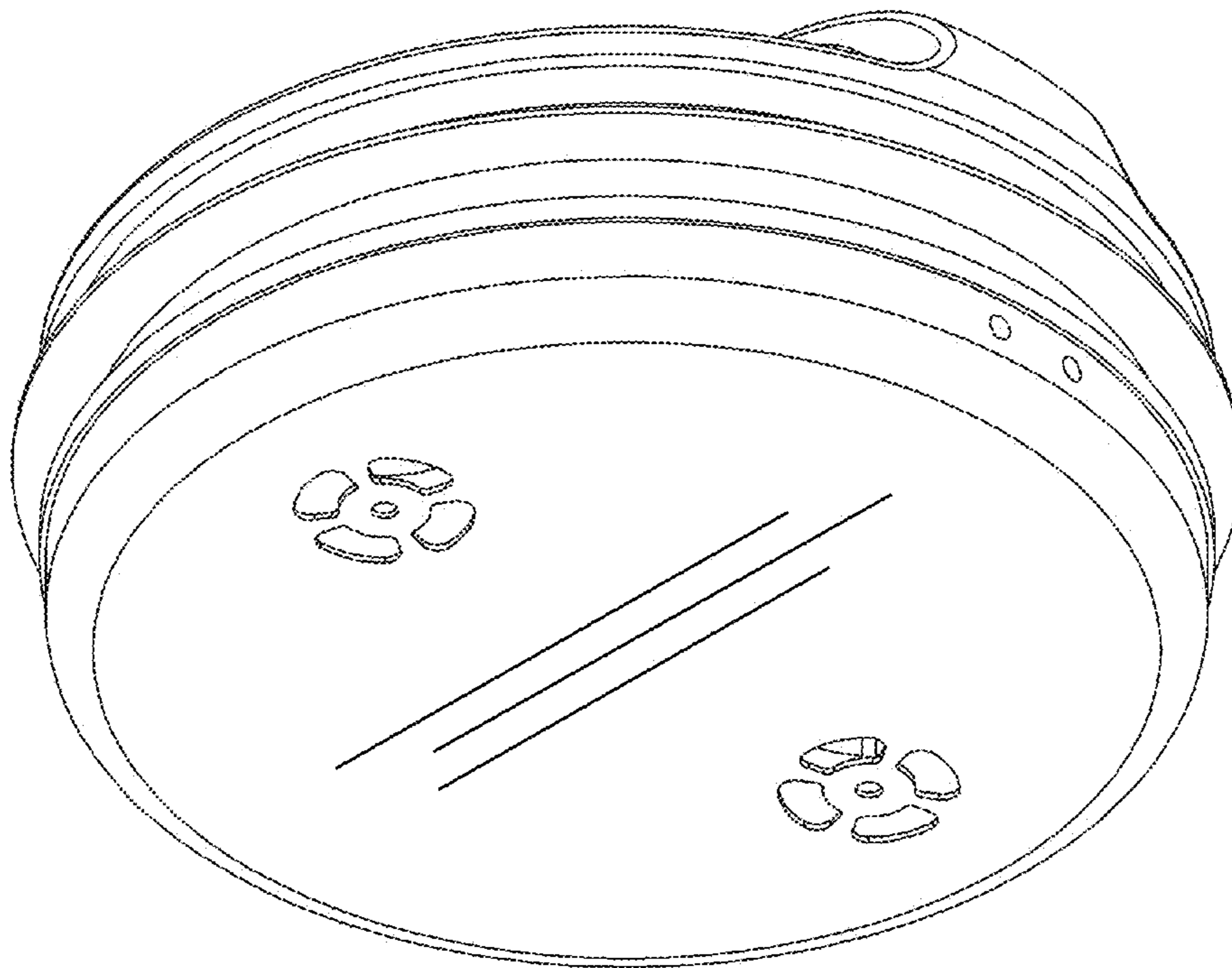
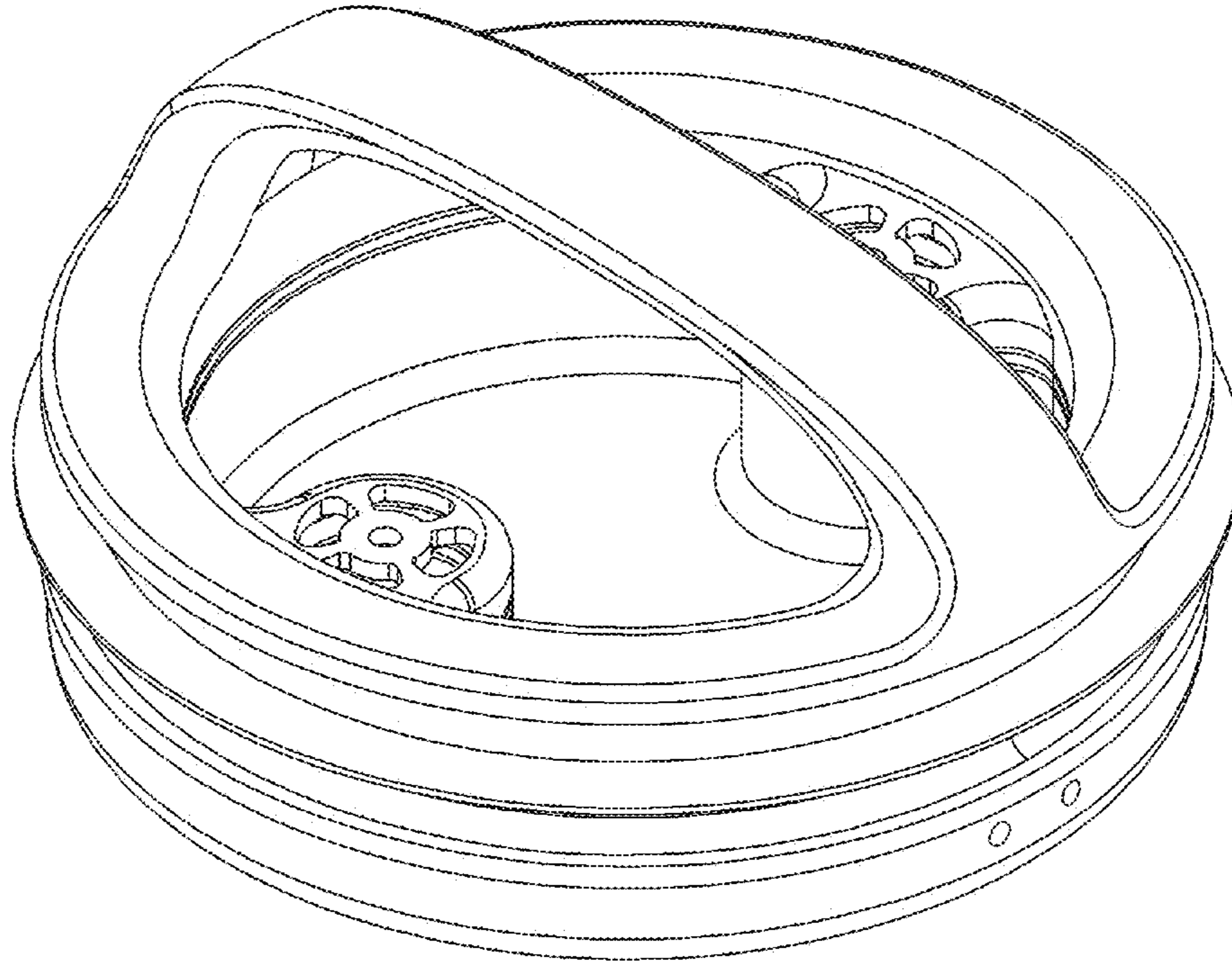


Fig. 8

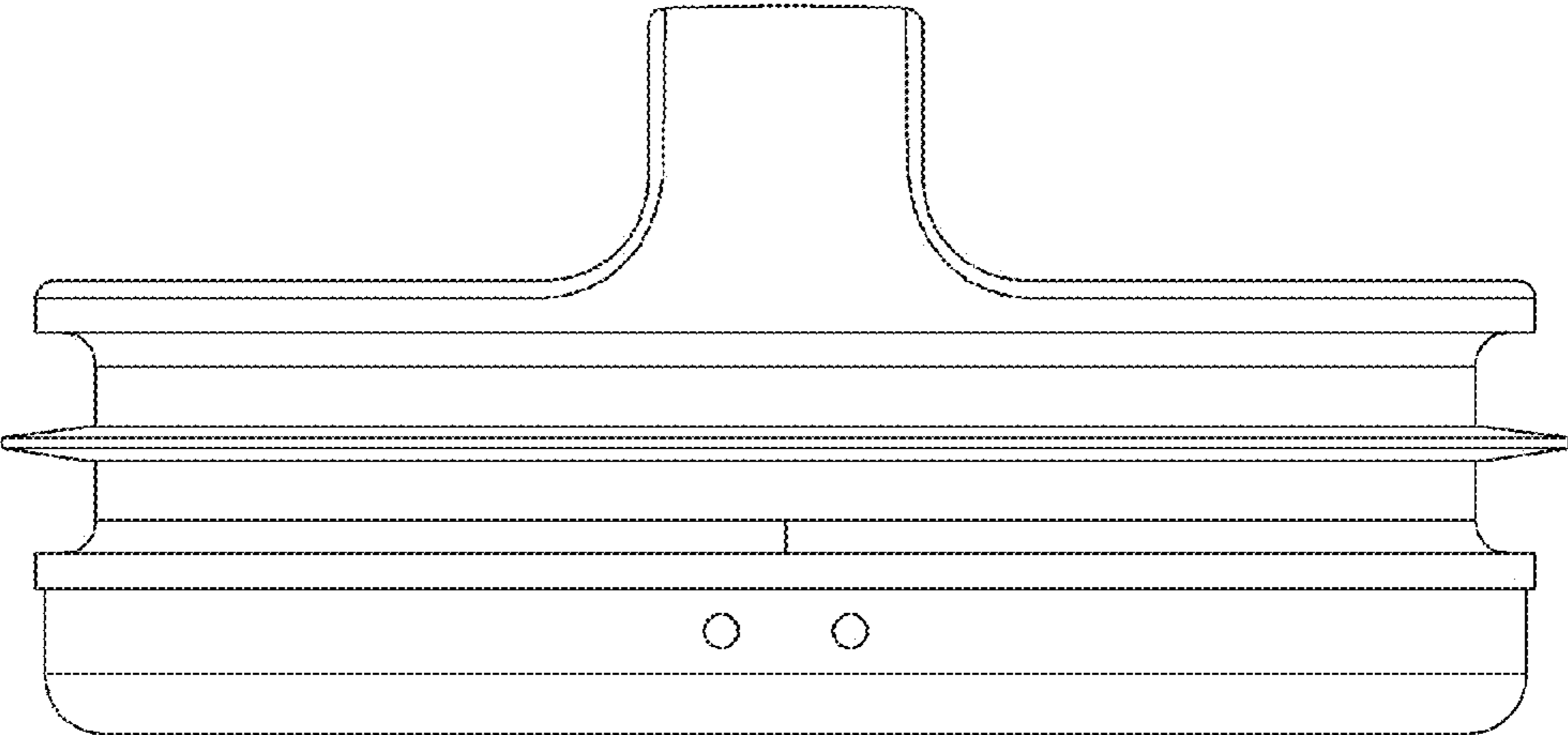


Fig. 9

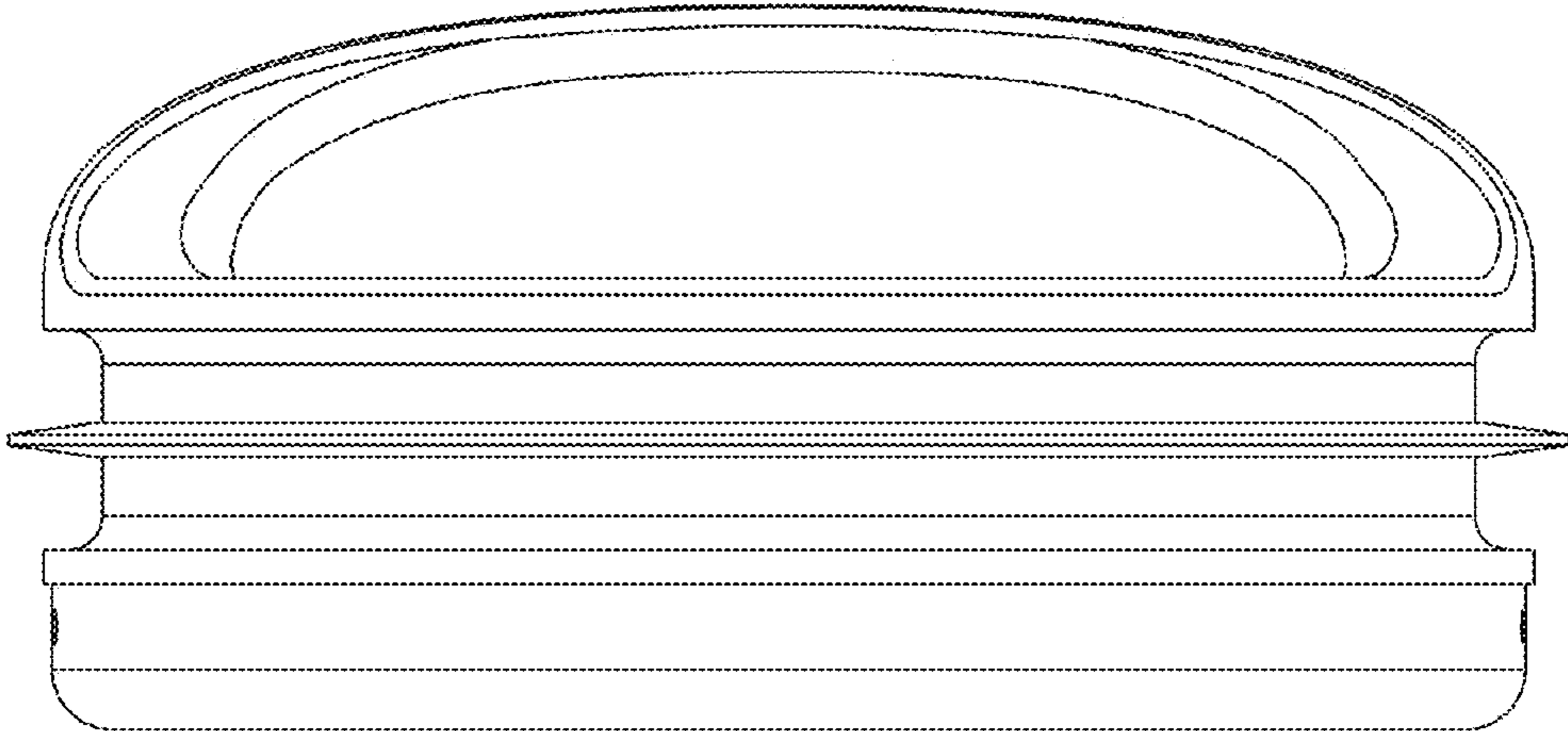


Fig. 10

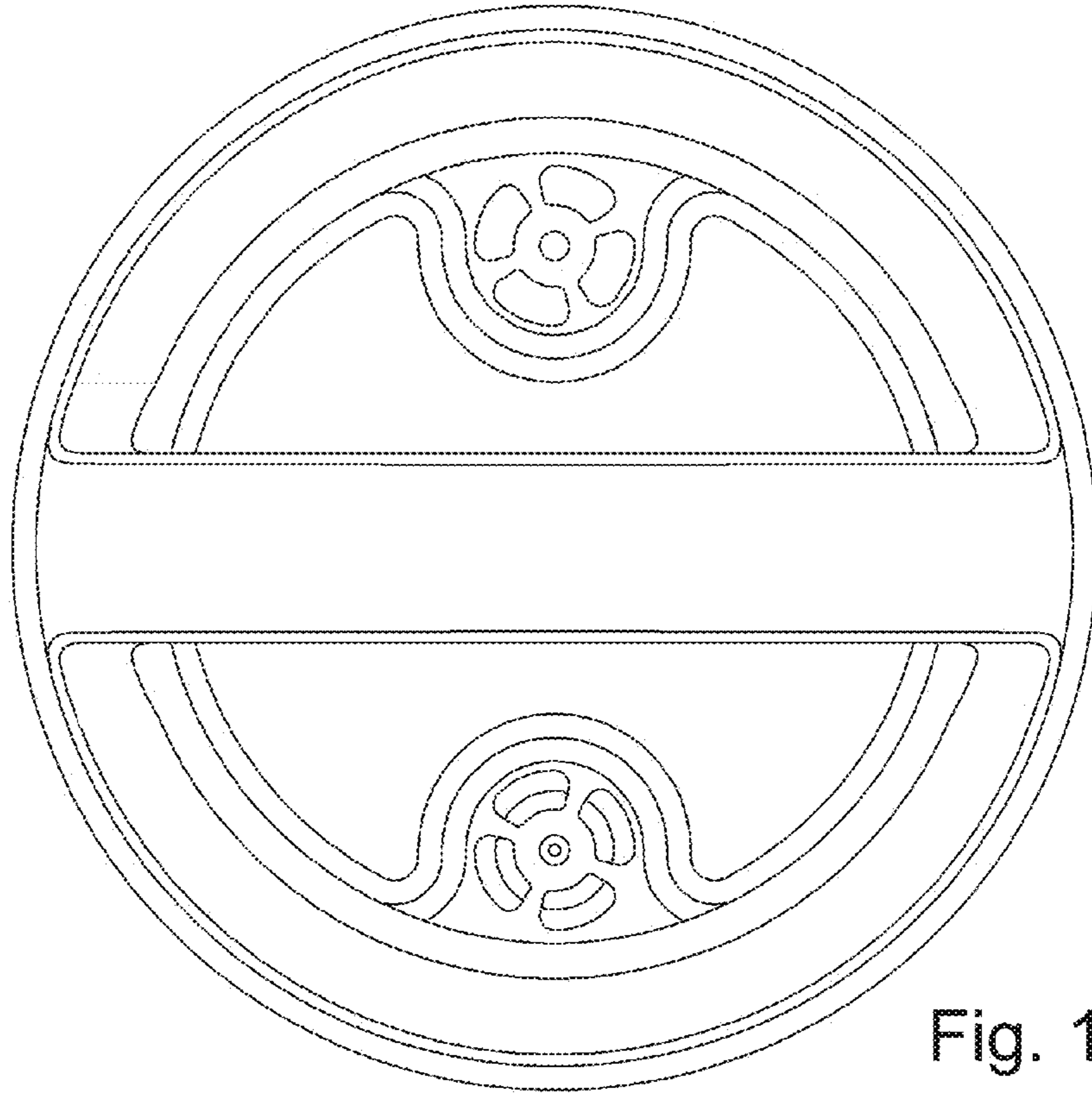


Fig. 11

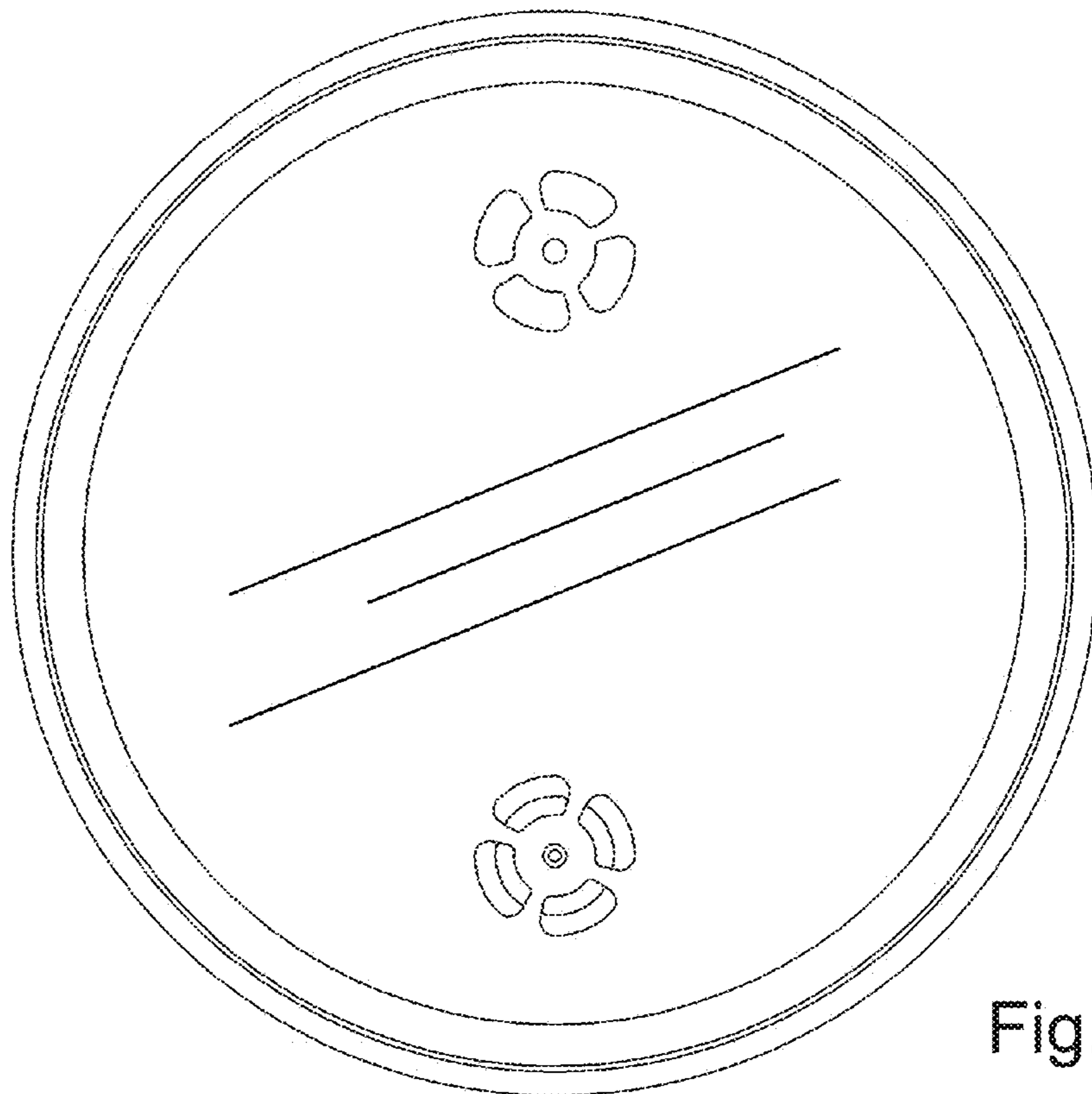


Fig. 12