



US00D729017S

(12) **United States Design Patent**  
**Woog**

(10) **Patent No.:** **US D729,017 S**

(45) **Date of Patent:** **\*\* May 12, 2015**

(54) **COOLER FOR BEVERAGE CONTAINERS**

(56) **References Cited**

(71) Applicant: **Gunter Woog**, West Bend, WI (US)

U.S. PATENT DOCUMENTS

(72) Inventor: **Gunter Woog**, West Bend, WI (US)

D283,317	S	*	4/1986	Stewart	.....	D12/423
4,704,875	A	*	11/1987	Kieler	.....	62/372
6,360,558	B1	*	3/2002	Woog	.....	62/457.5
D474,686	S		5/2003	Woog		
6,802,802	B2		10/2004	Woog		
7,097,034	B2		8/2006	Woog		
2011/0252824	A1	*	10/2011	Dallas et al.	.....	62/457.5

(\*\*) Term: **14 Years**

(21) Appl. No.: **29/490,848**

\* cited by examiner

(22) Filed: **May 14, 2014**

*Primary Examiner* — Terry Wallace

**Related U.S. Application Data**

(74) *Attorney, Agent, or Firm* — Donald J. Ersler

(63) Continuation of application No. 13/936,600, filed on Jul. 8, 2013, now abandoned.

(57) **CLAIM**

The ornamental design for the cooler for beverage containers, as shown and described.

(51) **LOC (10) Cl.** ..... **07-01**

**DESCRIPTION**

(52) **U.S. Cl.**

USPC ..... **D7/605**

FIG. 1 is a front perspective view of a cooler for beverage containers incorporating my new design; FIG. 2 is a bottom perspective view thereof; FIG. 3 is a top plan view thereof; FIG. 4 is a bottom plan view thereof; FIG. 5 is a right or left side view thereof; FIG. 6 is a front elevation view thereof; and, FIG. 7 is a top perspective view thereof.

(58) **Field of Classification Search**

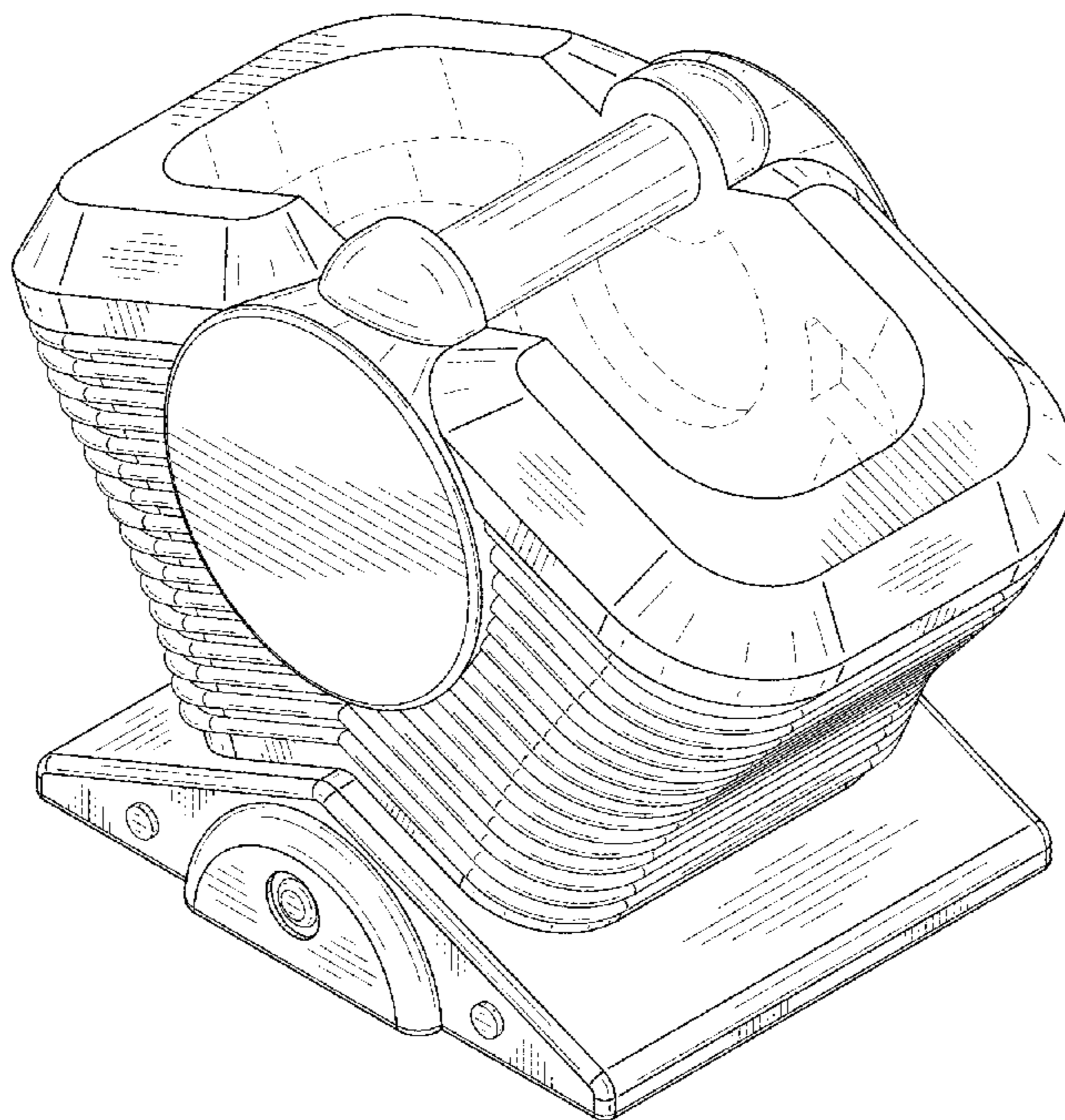
CPC ... F25D 31/007; F25D 3/06; F25D 2331/805; F25D 27/00

USPC ..... D7/605–608, 619.1–625; 62/457.1–457.9, 371, 372, 458; 220/592.16, 592.2, 592.25, 515, 513, 220/509, 507, 592.17, 592.03, 672, 670, 220/915.1, 915.2, 669, 628, 675; 206/457, 206/139, 427, 429; 215/392–396; 211/74, 211/71.01; 248/346.11

The broken lines shown in the drawings illustrate portions of the cooler for beverage containers that forms no part of the claimed design.

See application file for complete search history.

**1 Claim, 6 Drawing Sheets**



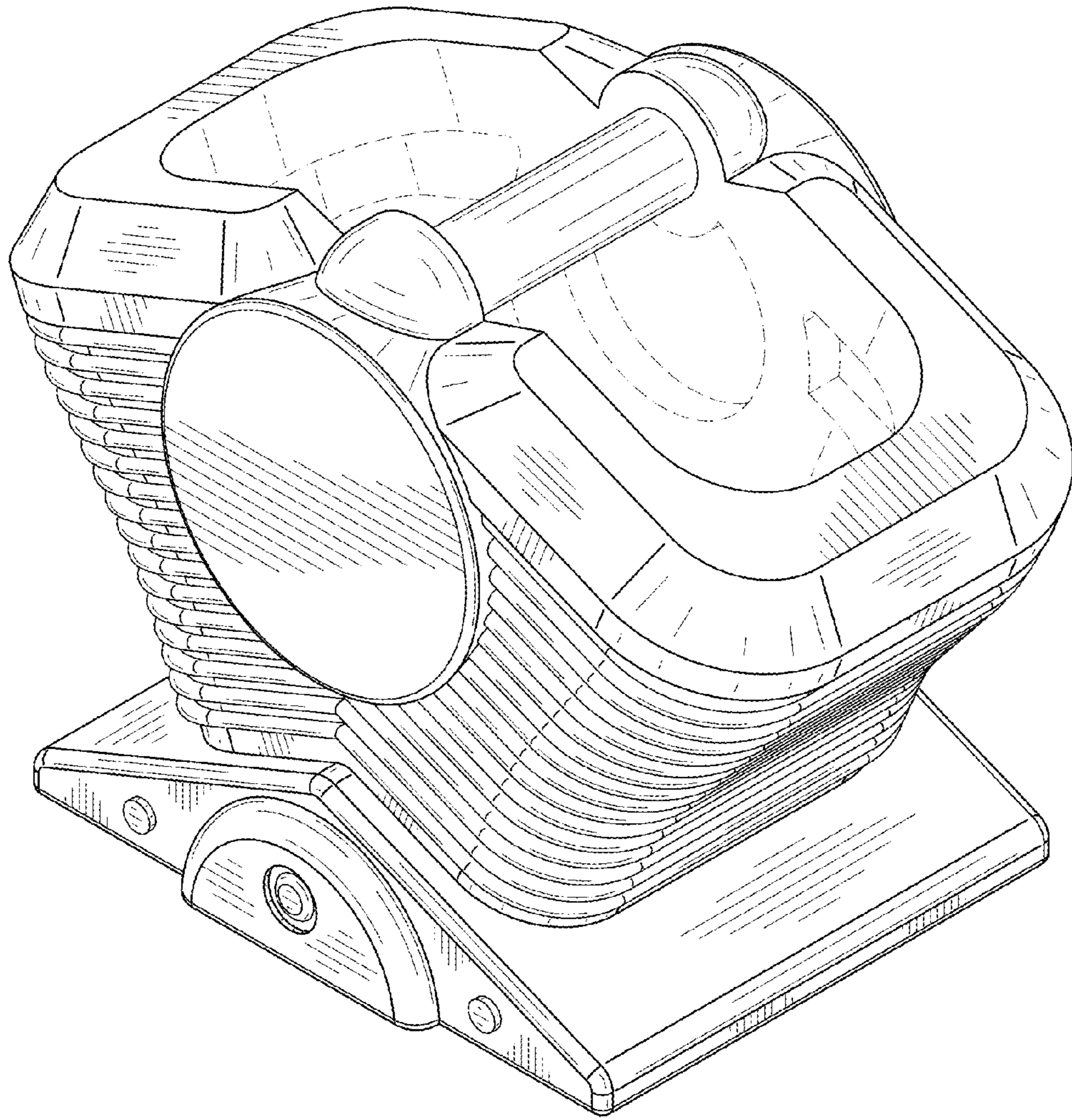


FIG. 1

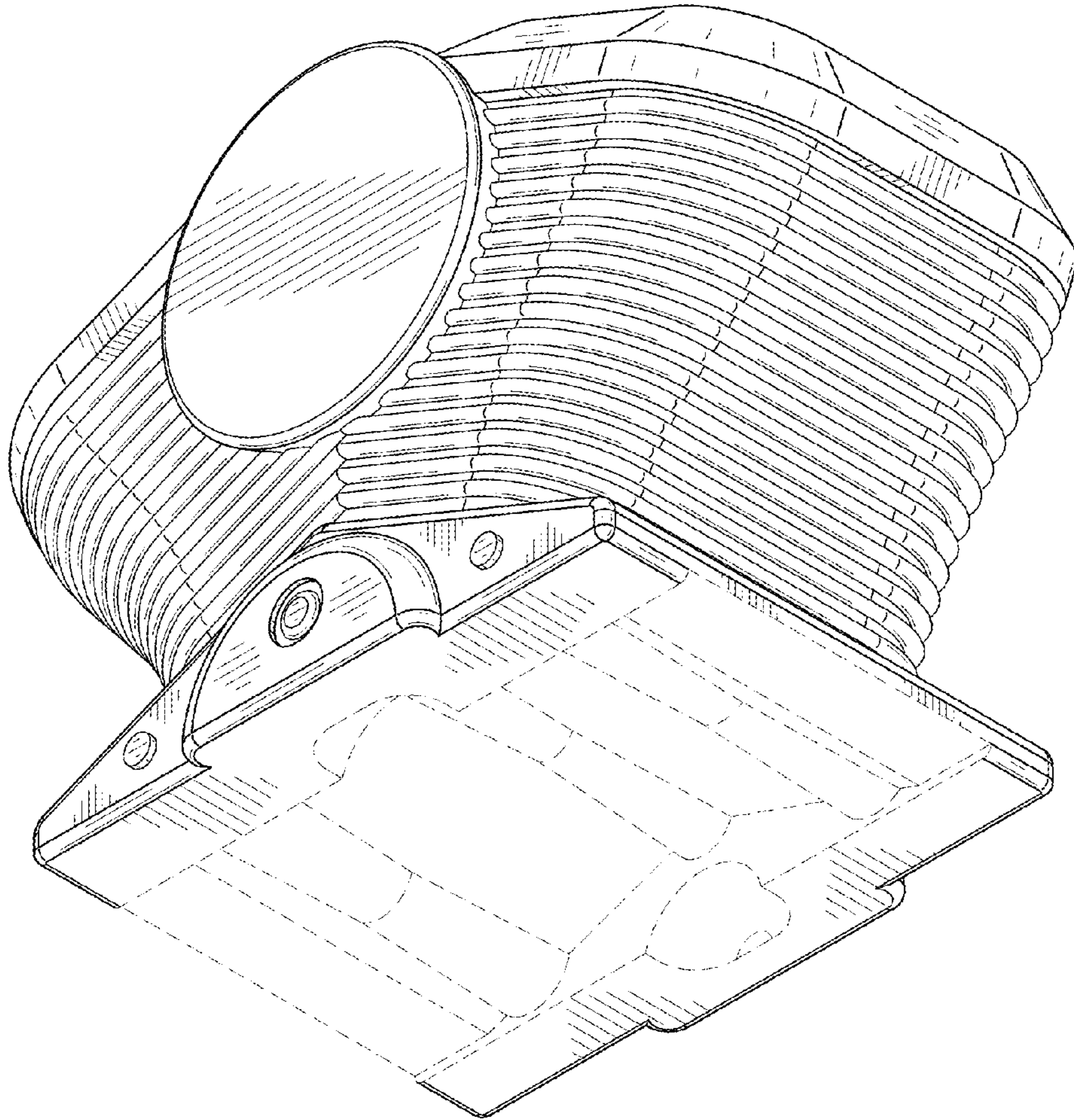


FIG. 2

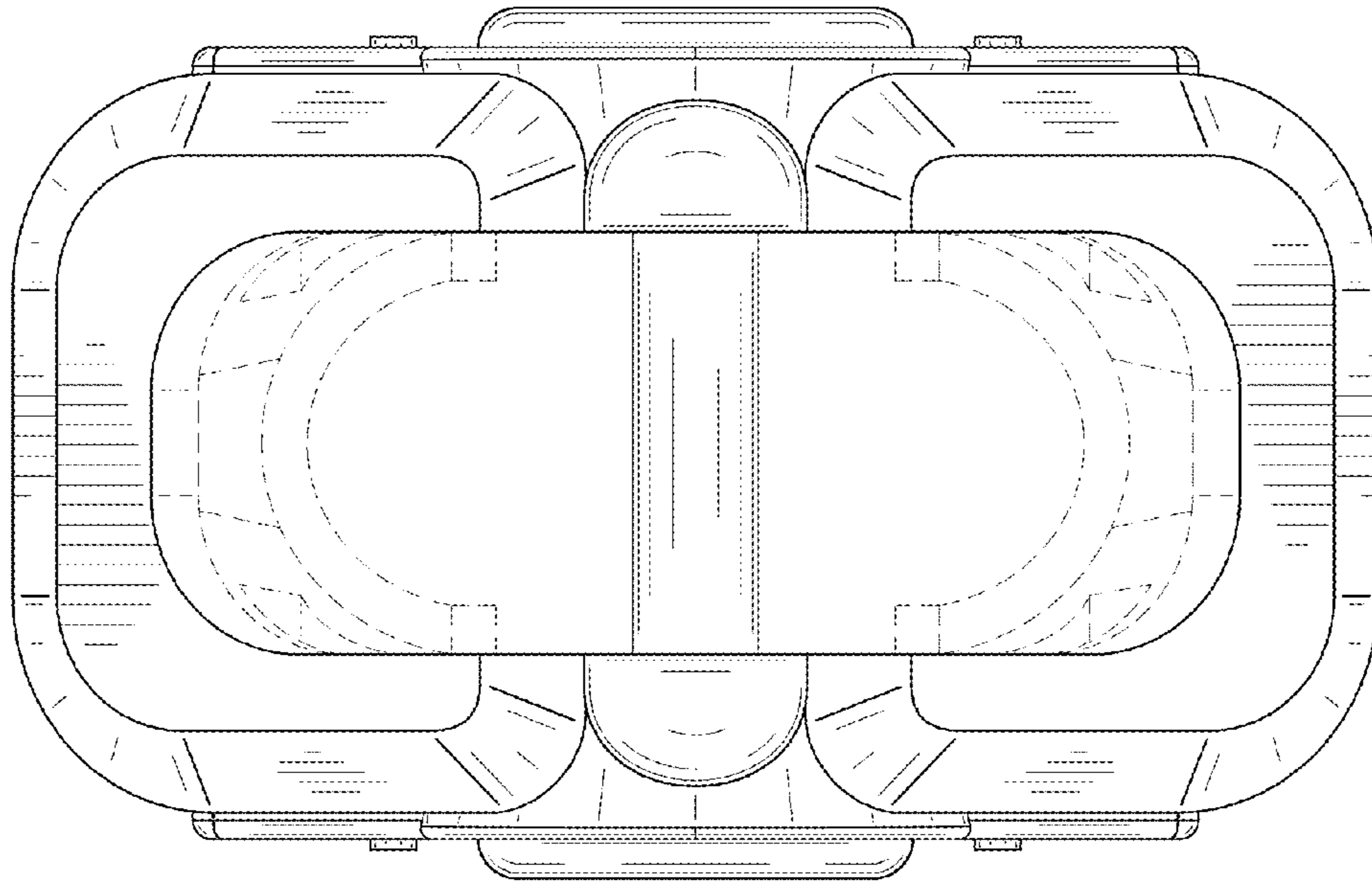


FIG. 3

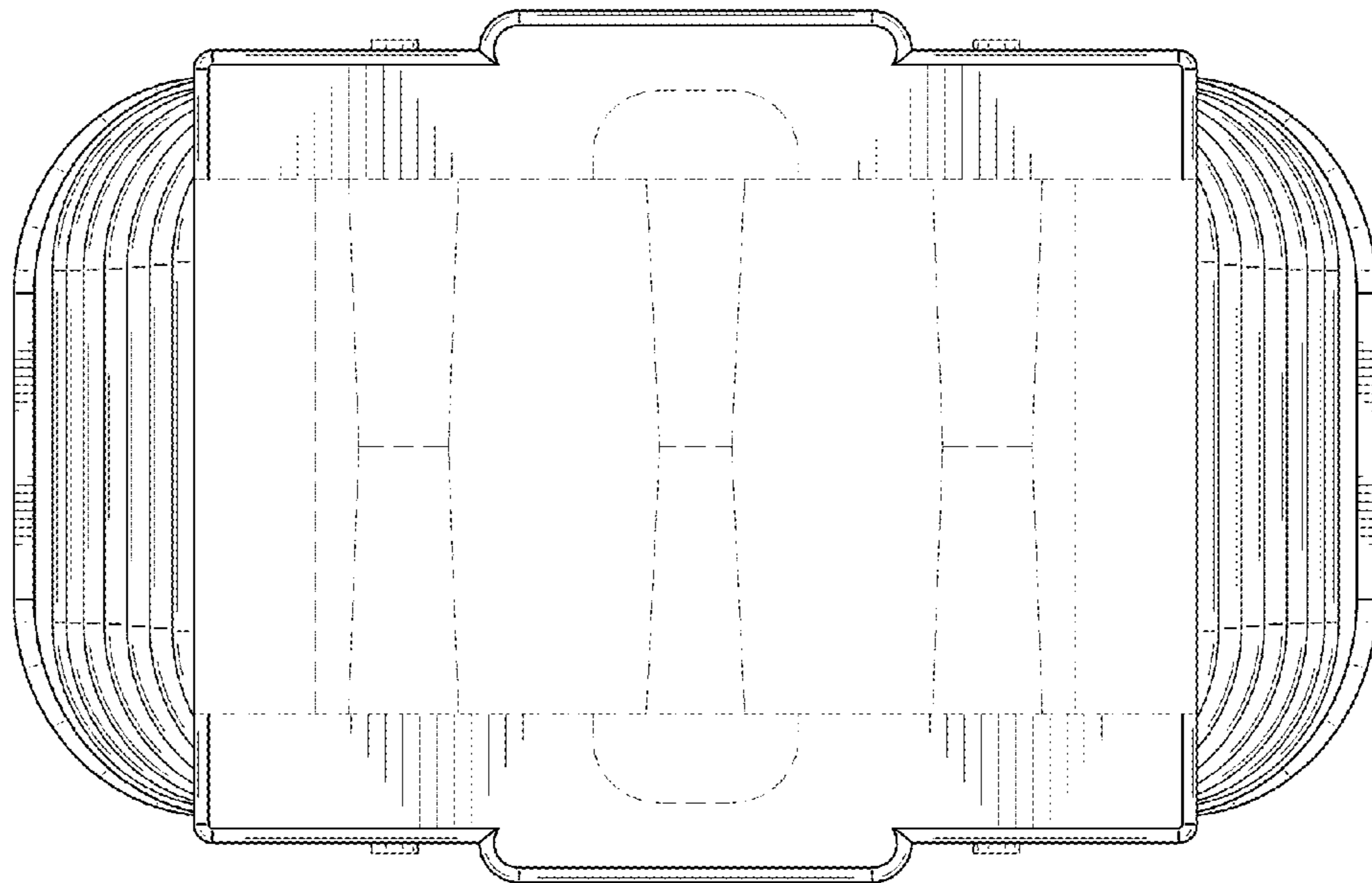


FIG. 4

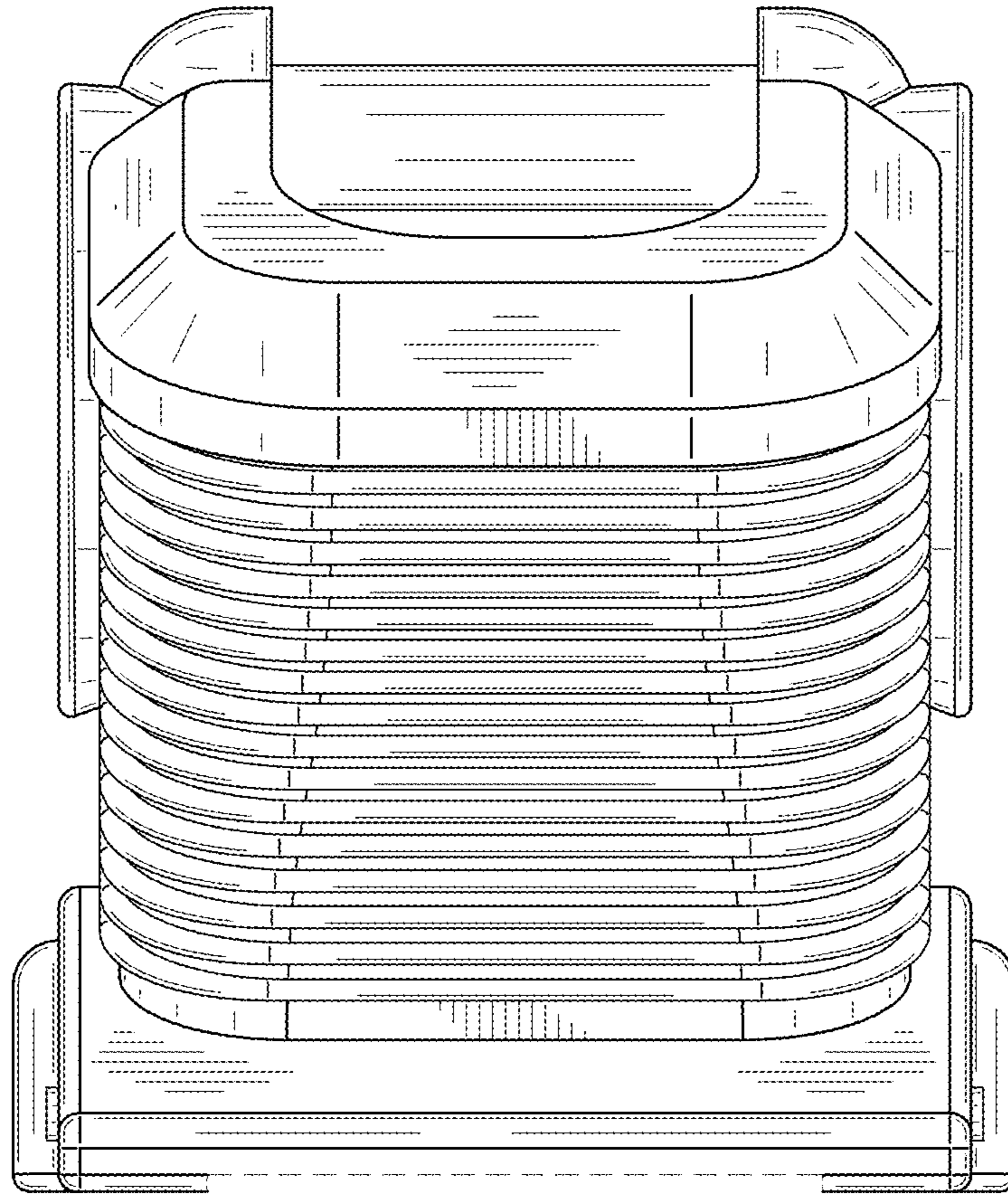


FIG. 5

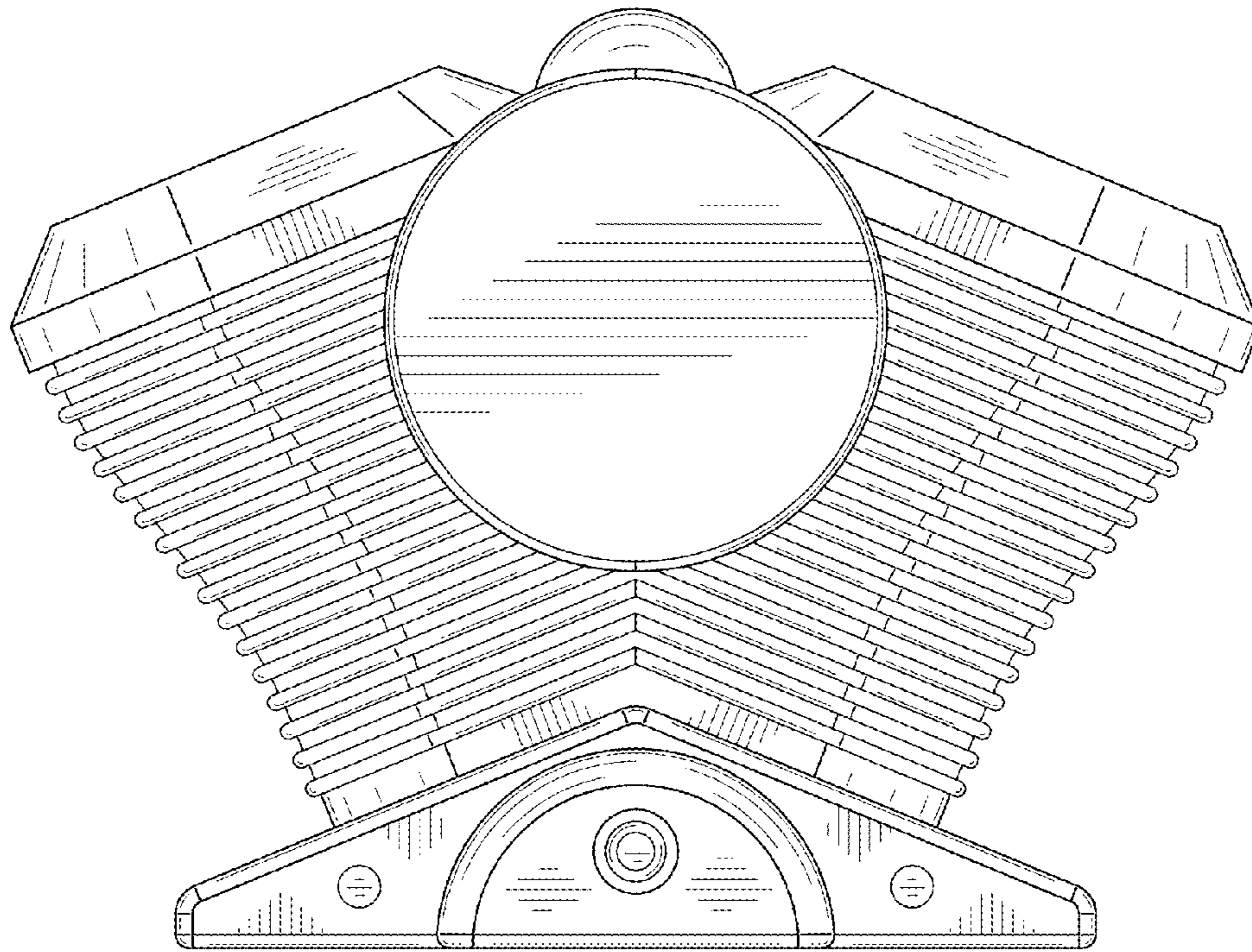


FIG. 6

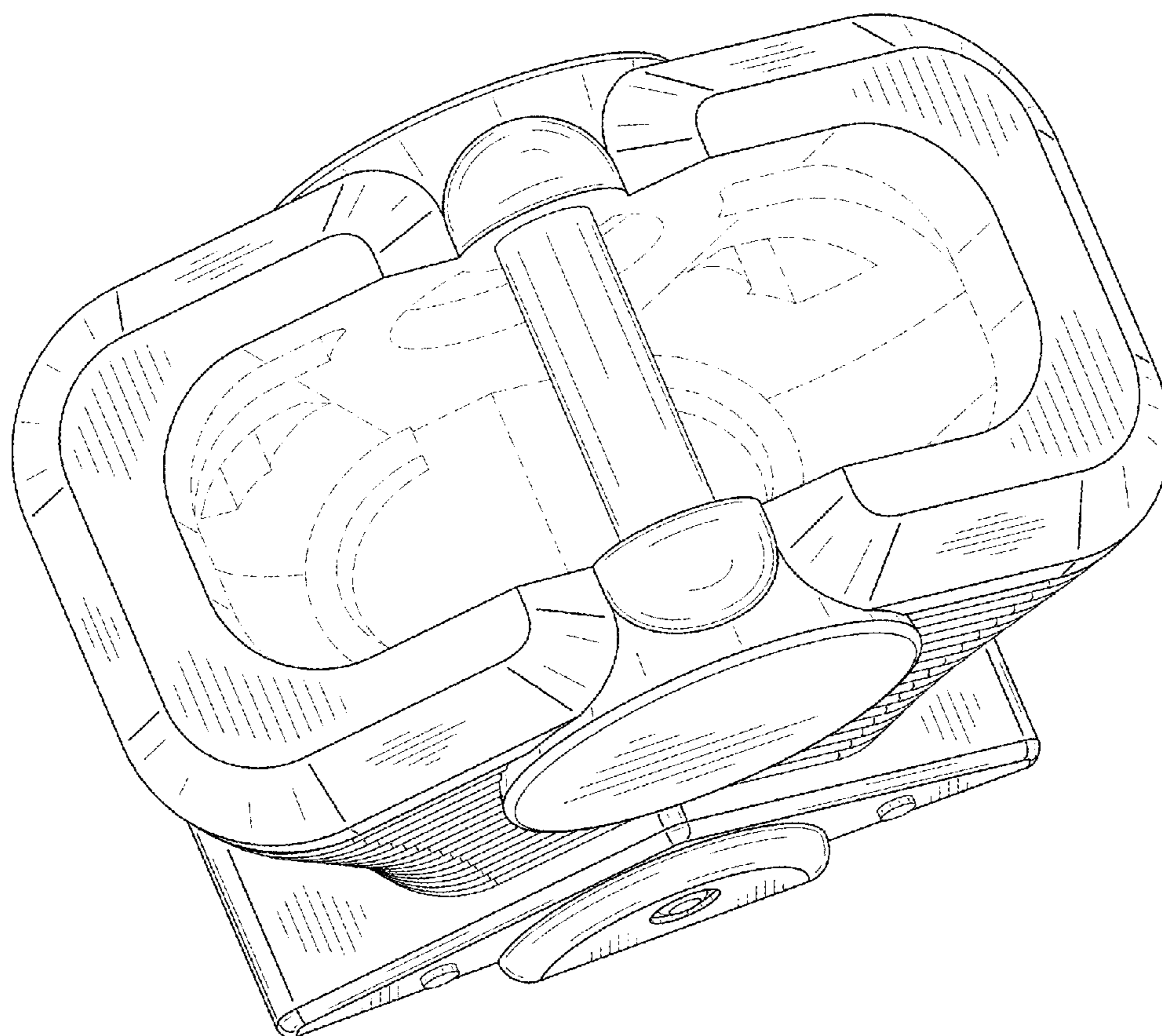


FIG. 7