



US00D729015S

(12) **United States Design Patent**
Haidar-Daoud et al.

(10) **Patent No.:** **US D729,015 S**
(45) **Date of Patent:** **** May 12, 2015**

(54) **DISPENSER**

(71) Applicants: **Joy Farrah Haidar-Daoud**, Lynnfield, MA (US); **Abdullah Daoud**, Lynnfield, MA (US)

(72) Inventors: **Joy Farrah Haidar-Daoud**, Lynnfield, MA (US); **Abdullah Daoud**, Lynnfield, MA (US)

(**) Term: **14 Years**

(21) Appl. No.: **29/433,508**

(22) Filed: **Oct. 1, 2012**

(51) **LOC (10) Cl.** **07-06**

(52) **U.S. Cl.**
USPC **D7/589**

(58) **Field of Classification Search**

CPC G01F 11/00; G01F 11/003; G01F 11/10; G01F 11/12; G01F 11/14; G01F 11/16; G01F 11/18; G01F 11/20; G01F 11/22; G01F 11/24; G01F 11/26; G01F 11/261; G01F 11/262; G01F 11/263; A47G 19/34; A47G 19/32; A47G 19/30; C11D 17/041; C11D 17/042; C11D 17/043; C11D 17/044; C11D 17/046; C11D 17/047
USPC D7/589, 590, 592, 593, 594, 596, 597, D7/600, 601, 602, 605, 606, 608, 300, D7/300.1, 301, 302, 303, 304, 305, 312, D7/313, 314, 315, 316, 317, 318, 319, 320, D7/321, 322; D9/516, 523, 525, 526, 527, D9/528, 539, 541, 542, 545, 546, 547, D9/549; 222/14, 17, 20, 40, 48, 47, 41, 96, 222/129, 129.1-129.3, 144, 142.9, 145.4, 222/145.7, 145.8, 630, 631, 427, 424.5, 222/526, 529, 548, 549, 550, 566, 572, 368, 222/367, 306, 363; D24/107, 197; 215/11.1, 16, 17, 18, 19, 24, 27, 208, 215/235, 236, 11.4, 11.5, 11.6

See application file for complete search history.

(56) **References Cited**

U.S. PATENT DOCUMENTS

2,054,743 A	9/1936	Fend	
2,575,967 A	11/1951	May	
2,841,312 A	7/1958	Bello	
3,204,834 A	9/1965	Gadenne	
D213,670 S *	4/1969	Waddington et al.	D9/526
4,074,832 A	2/1978	McCarthy	
4,144,989 A	3/1979	Joy	
4,188,984 A	2/1980	Lyall	
4,957,219 A	9/1990	Robbins et al.	
D313,348 S *	1/1991	Ali	D9/524
5,169,036 A	12/1992	Tong	
5,228,488 A	7/1993	Fletcher	
5,346,105 A	9/1994	Onneweer	
5,667,109 A	9/1997	Yu-Mei	
5,758,803 A	6/1998	Liao et al.	
5,791,528 A	8/1998	Robbins, III et al.	

(Continued)

Primary Examiner — Ian Simmons

Assistant Examiner — Shannon Morgan

(74) *Attorney, Agent, or Firm* — Brown Rudnick LLP; Mark S. Leonardo

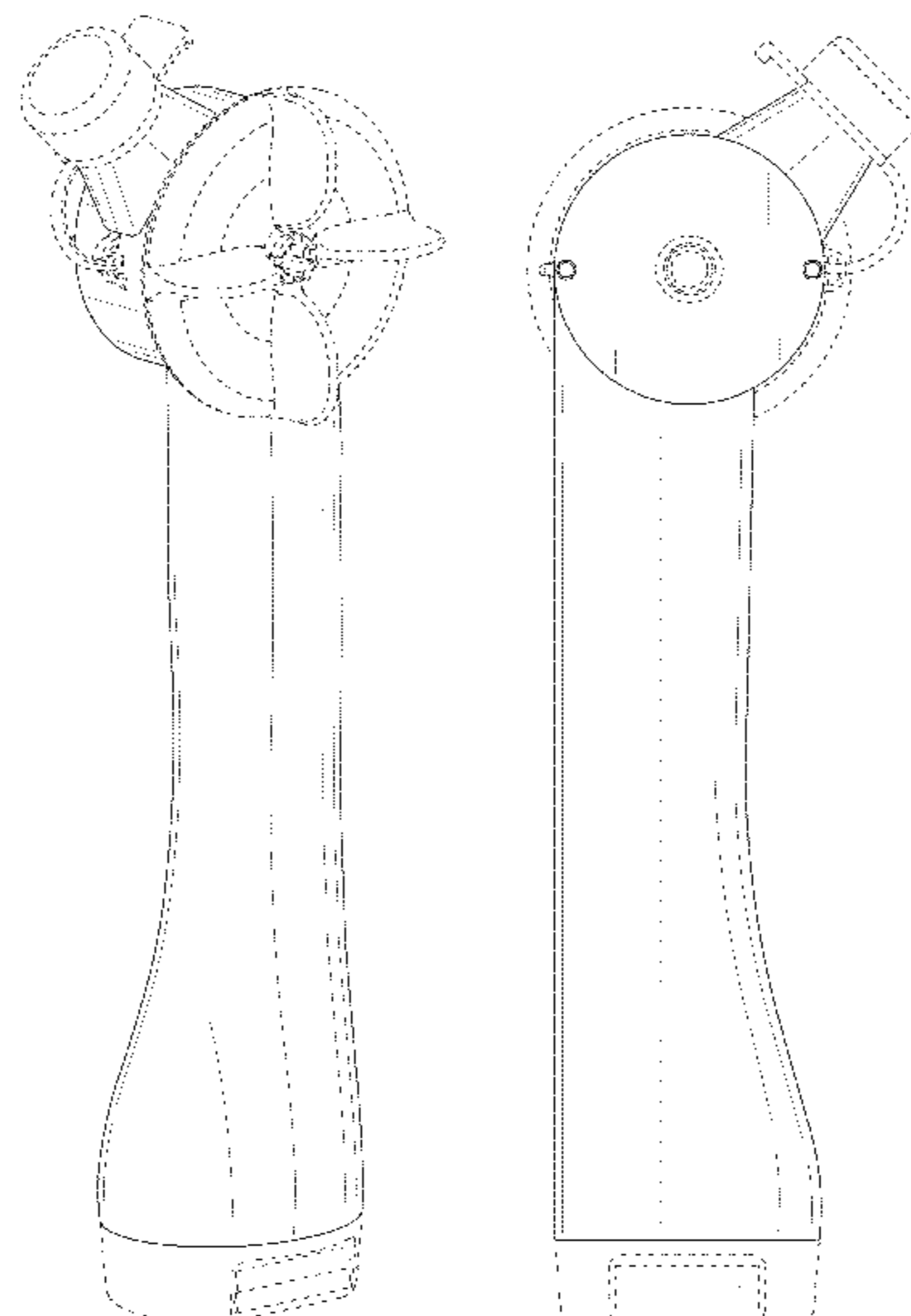
(57) **CLAIM**

The ornamental design for a dispenser, as shown and described.

DESCRIPTION

FIG. 1 is a front, left side perspective view of a dispenser showing our new design;
FIG. 2 is a left side elevational view thereof;
FIG. 3 is a right side elevational view thereof;
FIG. 4 is a front side elevational view thereof;
FIG. 5 is a rear side elevational view thereof;
FIG. 6 is a top plan view thereof; and,
FIG. 7 is a bottom plan view thereof.
The broken lines in FIGS. 1-7 of the dispenser are for purposes of illustrating environment, and form no part of the claimed design.

1 Claim, 6 Drawing Sheets



(56)

References Cited

U.S. PATENT DOCUMENTS

5,851,106 A * 12/1998 Steiner et al. 416/63
5,947,336 A 9/1999 Thompson
6,112,942 A 9/2000 Deacon
6,293,440 B1 9/2001 Weaver
6,425,500 B2 7/2002 McNally
6,484,905 B1 11/2002 Swackhamer et al.
6,583,103 B1 * 6/2003 Klinkhammer 510/478
6,666,167 B1 12/2003 Carlson

6,964,355 B2 11/2005 Landau
D552,475 S * 10/2007 Muhlhausen D9/526
D554,242 S * 10/2007 Chen D23/328
D554,511 S * 11/2007 Muhlhausen D9/526
D604,073 S * 11/2009 Lochen D6/515
D613,558 S * 4/2010 Gold et al. D7/589
7,731,063 B2 6/2010 Rusch
7,878,376 B2 2/2011 Ben Shlomo et al.
2004/0035880 A1 * 2/2004 Coleman et al. 222/95
2012/0060968 A1 * 3/2012 Geerse et al. 141/2

* cited by examiner



FIG.1

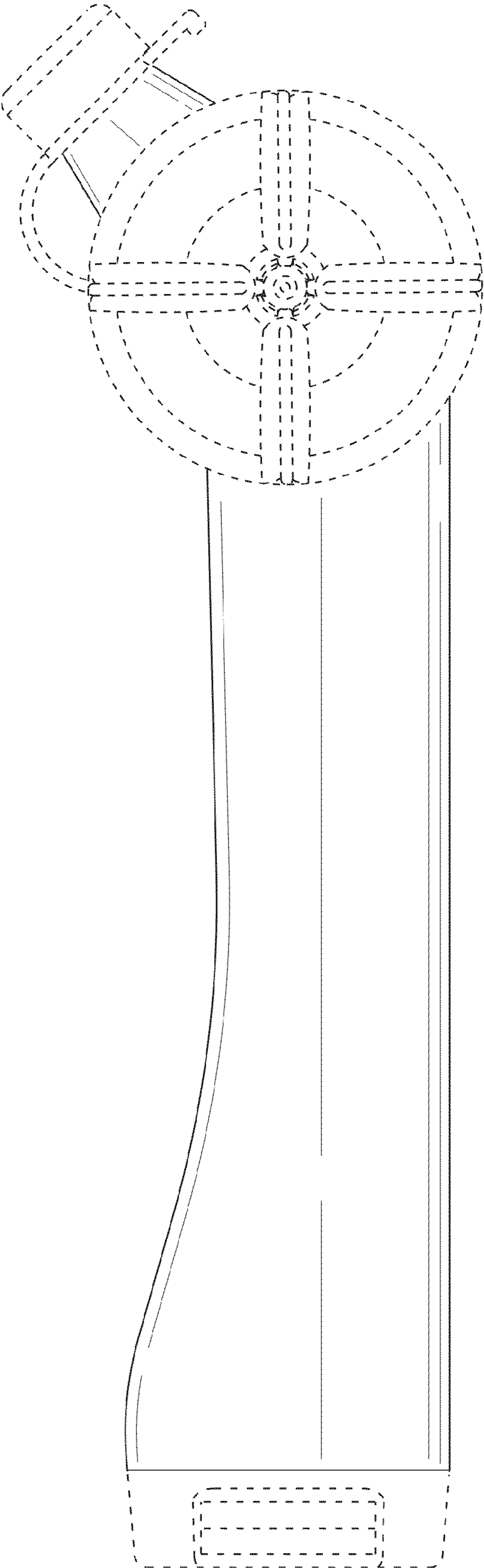


FIG.2



FIG.3

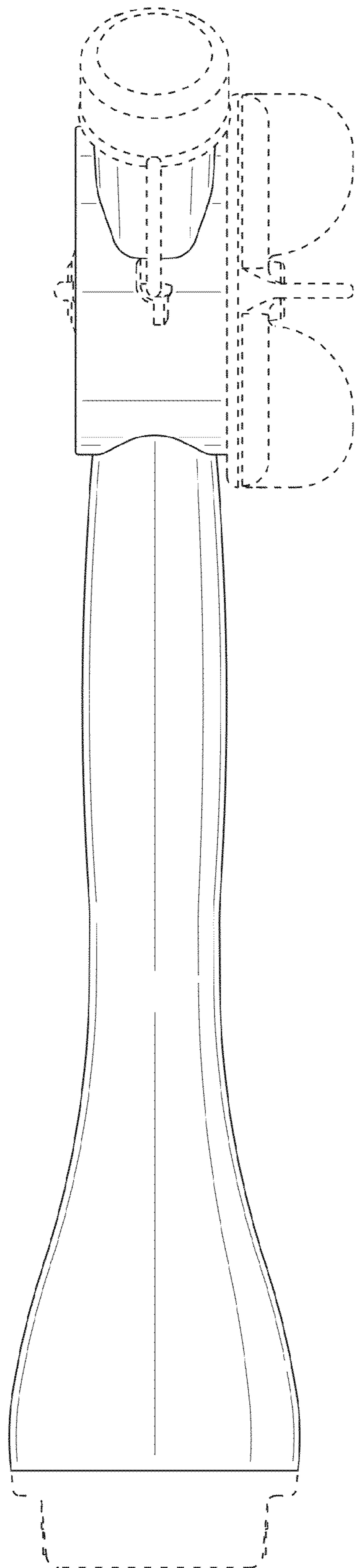


FIG. 4

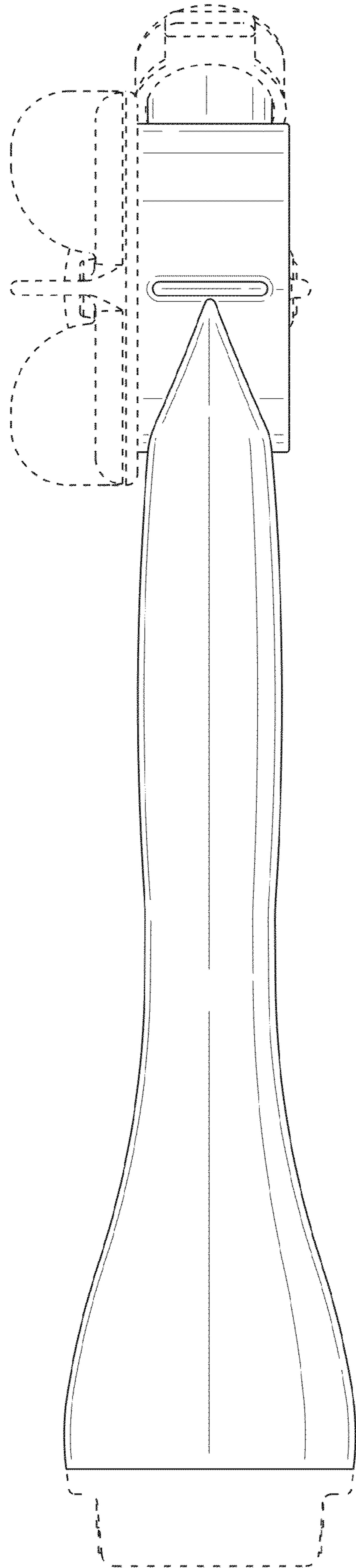


FIG. 5

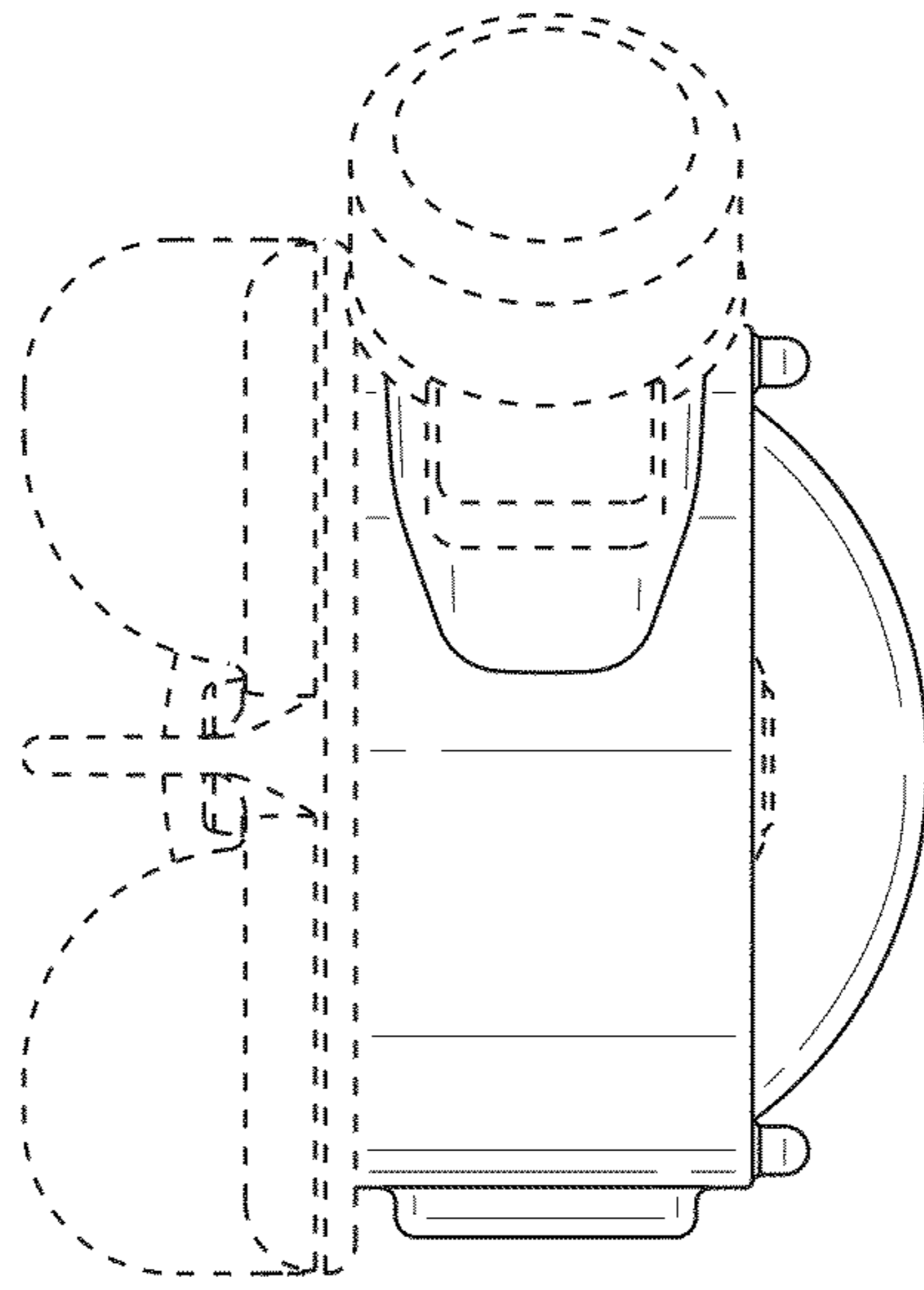


FIG. 6

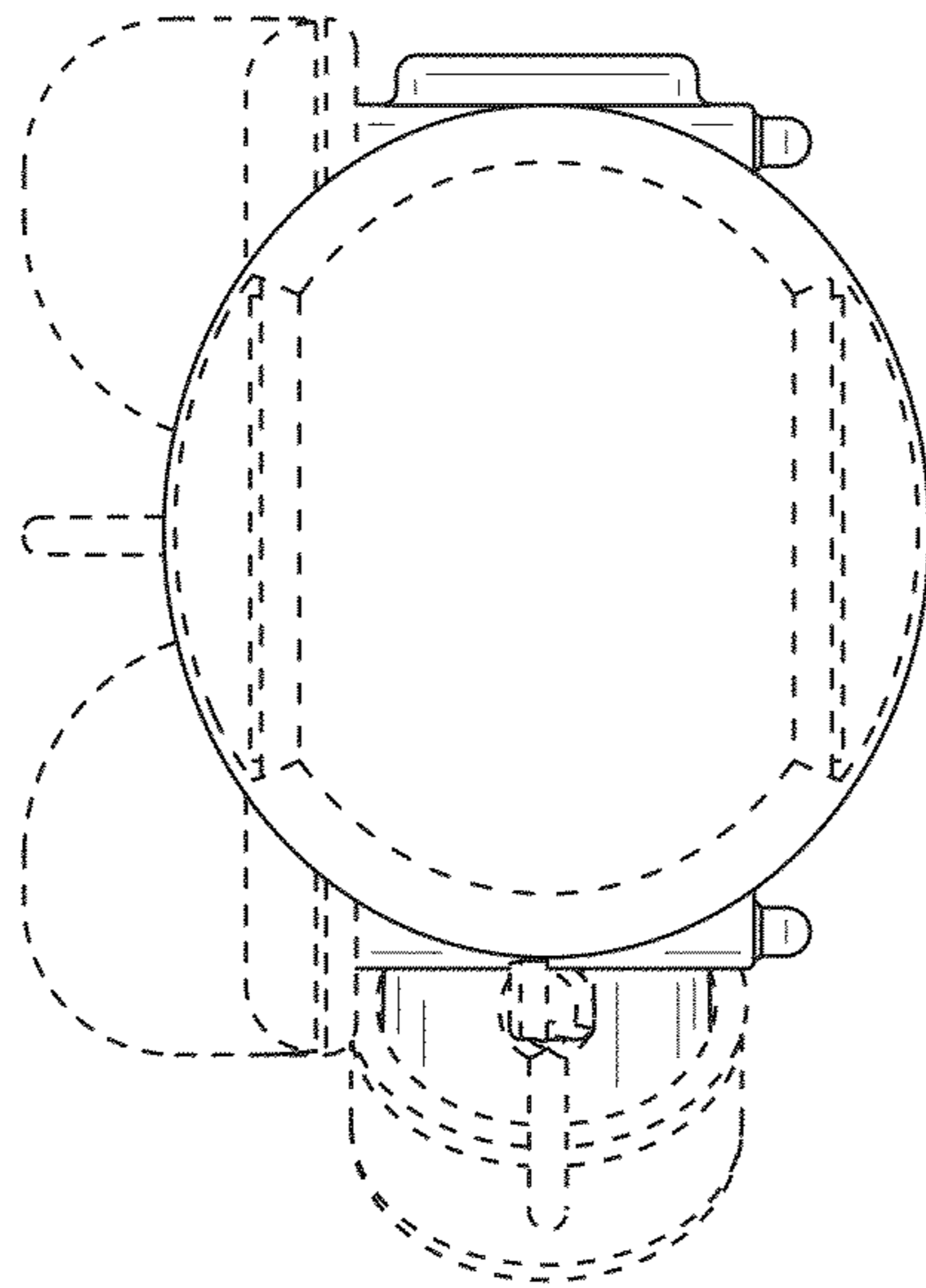


FIG. 7