



US00D729010S

(12) **United States Design Patent**
Logel et al.

(10) **Patent No.:** **US D729,010 S**

(45) **Date of Patent:** **** May 12, 2015**

(54) **CONTAINER**

(71) Applicant: **Clariant Productions (France) SAS**,
Trosly Breuil (FR)

(72) Inventors: **Valere Logel**, Levallois Perret (FR);
Jacquy Lebon, Challands (FR);
Caroline Pot, Montgeron (FR)

(73) Assignee: **Clariant Productions (France) SAS**,
Trosly Breuil (FR)

(**) Term: **14 Years**

(21) Appl. No.: **29/471,205**

(22) Filed: **Oct. 29, 2013**

(30) **Foreign Application Priority Data**

Apr. 29, 2013 (EM) 002228940-0001

Apr. 29, 2013 (EM) 002228940-0002

(51) **LOC (10) Cl.** **07-01**

(52) **U.S. Cl.**
USPC **D7/510**

(58) **Field of Classification Search**

USPC D3/201, 203.1, 203.2; D7/300, 321,
D7/322, 500, 505, 510, 511, 538, 542, 601,
D7/602, 619.1, 629; D9/420, 435, 436,
D9/440, 449, 454, 500, 503; D24/216,
D24/224; D28/73, 76, 77; 206/265;
215/200, 224, 316; 220/200, 244, 315,
220/810; 222/630, 631; 422/500, 501, 521,
422/547, 549, 550

See application file for complete search history.

(56) **References Cited**

U.S. PATENT DOCUMENTS

D279,651 S * 7/1985 Freeman D9/503
D401,115 S * 11/1998 Huang D7/589

(Continued)

FOREIGN PATENT DOCUMENTS

WO D067982-001 * 4/2006
WO D069747-001 * 2/2008
WO D070355-002 * 7/2008

Primary Examiner — Susan Bennett Hattan

Assistant Examiner — Leanne Was

(74) *Attorney, Agent, or Firm* — Knobbe Martens Olson &
Bear LLP

(57) **CLAIM**

The ornamental design for a container, as shown and
described.

DESCRIPTION

FIG. 1 is a perspective front view of a container according to
the new design.

FIG. 2 is a perspective rear view of the design of FIG. 1.

FIG. 3 is a bottom plan view of the design of FIG. 1.

FIG. 4 is a front elevational view of the design of FIG. 1.

FIG. 5 is a side elevational view of the design of FIG. 1. The
opposite view is a mirror image thereof.

FIG. 6 is a rear elevational view of the design of FIG. 1.

FIG. 7 is a top plan view of the design of FIG. 1.

FIG. 8 is a perspective view of a container.

FIG. 9 is a perspective underside view of the design of FIG. 8.

FIG. 10 is a bottom plan view of the design of FIG. 8.

FIG. 11 is a front plan view of the design of FIG. 8.

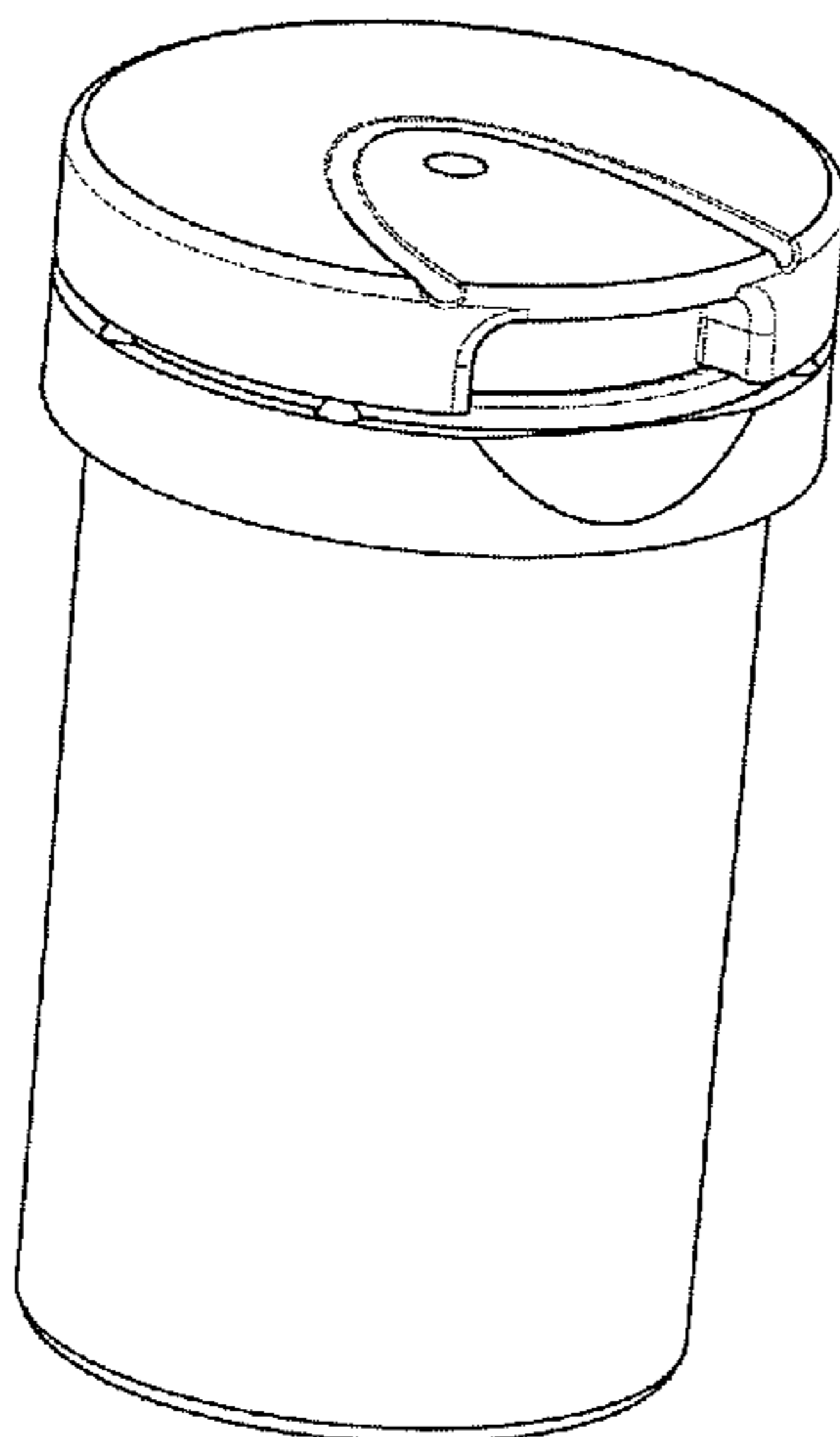
FIG. 12 is a side plan view of the design of FIG. 8.

FIG. 13 is a rear plan view of the design of FIG. 8; and,

FIG. 14 is a top plan view of the design of FIG. 8.

The broken lines in the drawing depict portions of the con-
tainer that form no part of the claimed design.

1 Claim, 6 Drawing Sheets



(56)

References Cited

U.S. PATENT DOCUMENTS

D427,069 S * 6/2000 Carter D9/436
D599,655 S * 9/2009 Friebe et al. D9/420
D604,608 S * 11/2009 Lourenco D9/440
D644,337 S * 8/2011 Belfance et al. D24/224

D644,739 S * 9/2011 Belfance et al. D24/224
D644,740 S * 9/2011 John et al. D24/224
D654,366 S * 2/2012 Presche et al. D9/529
D694,100 S * 11/2013 Schneider et al. D9/420
2010/0224646 A1* 9/2010 Incorvia et al. 220/839

* cited by examiner

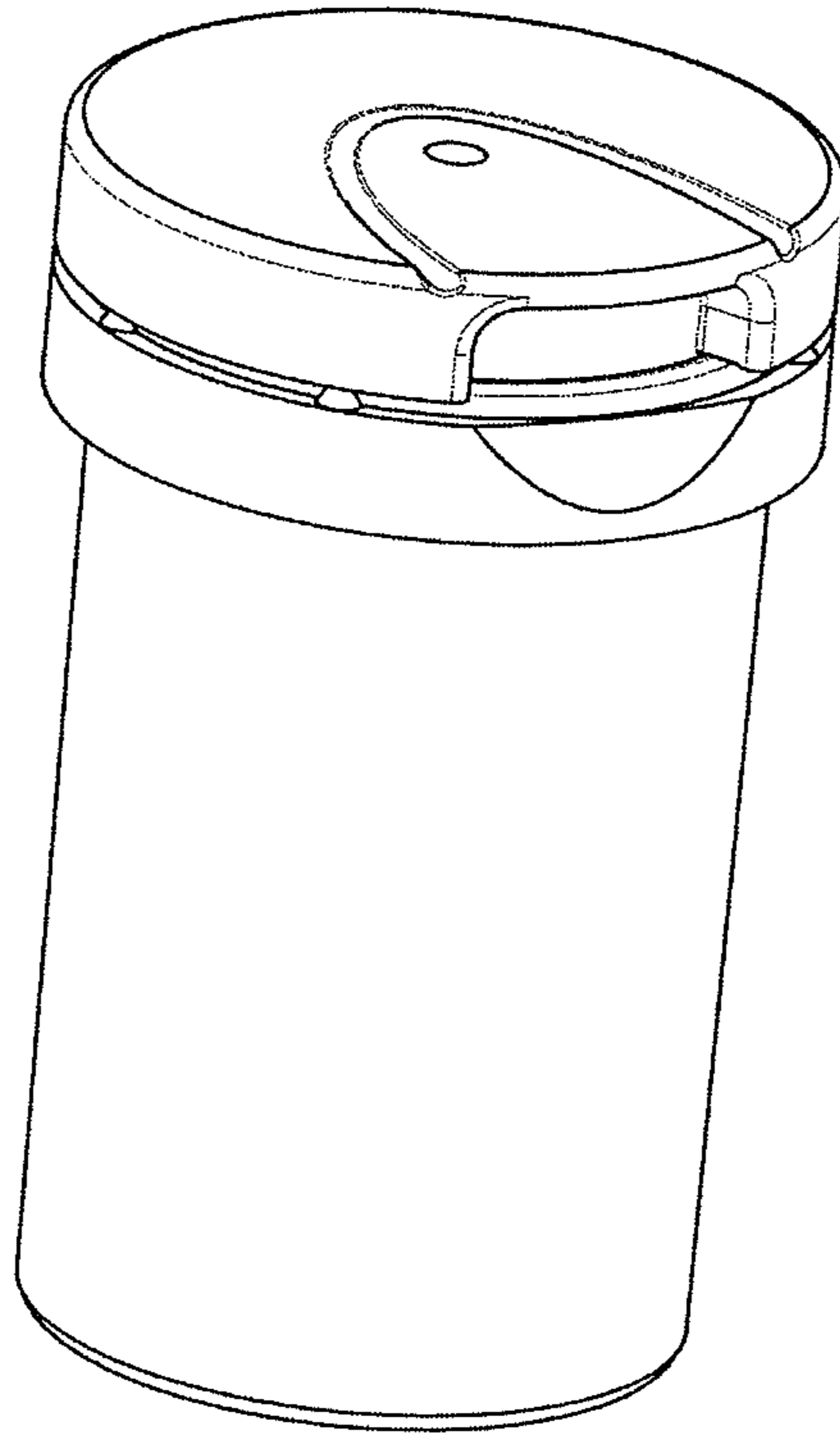


FIG. 1

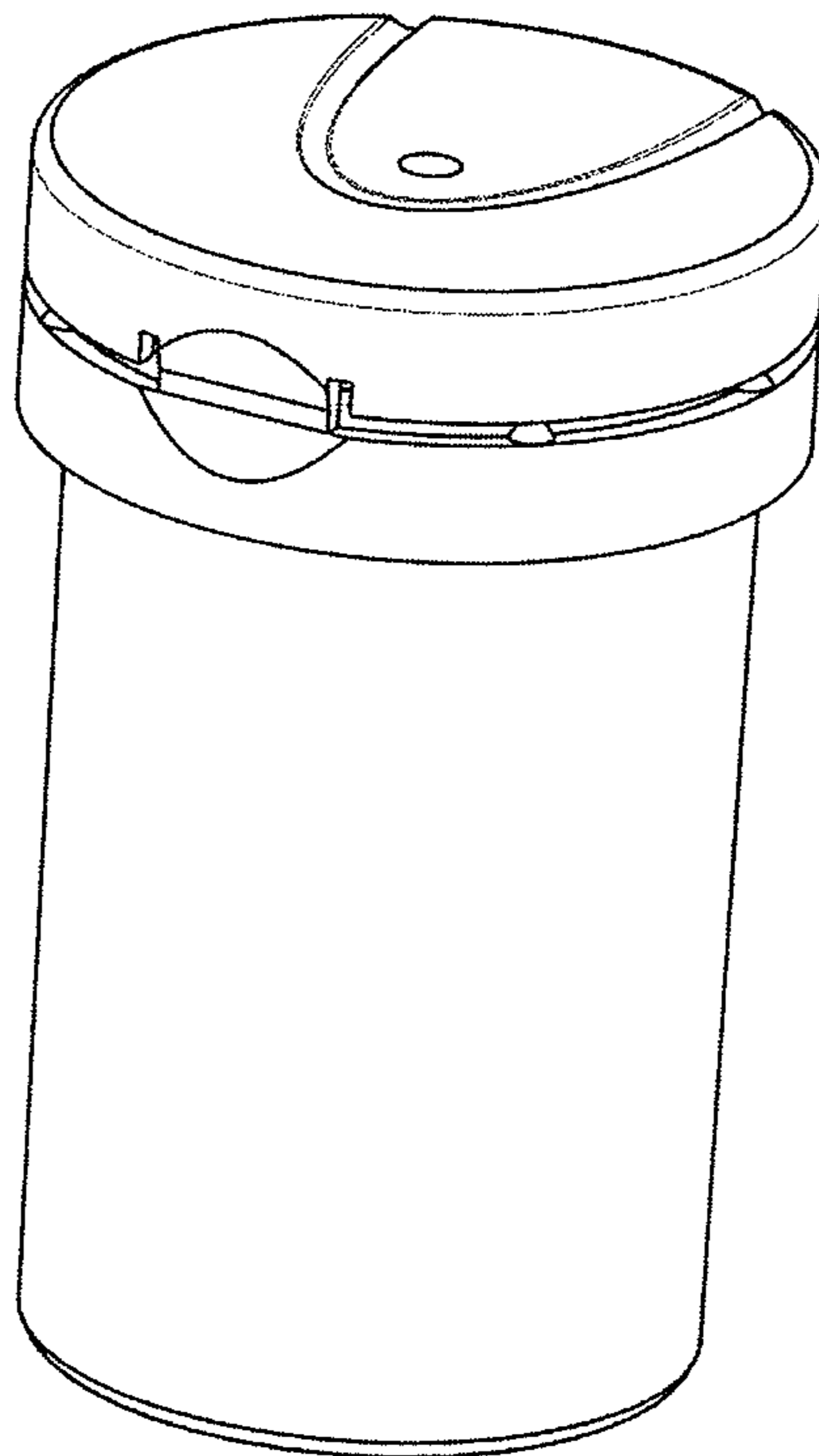


FIG. 2

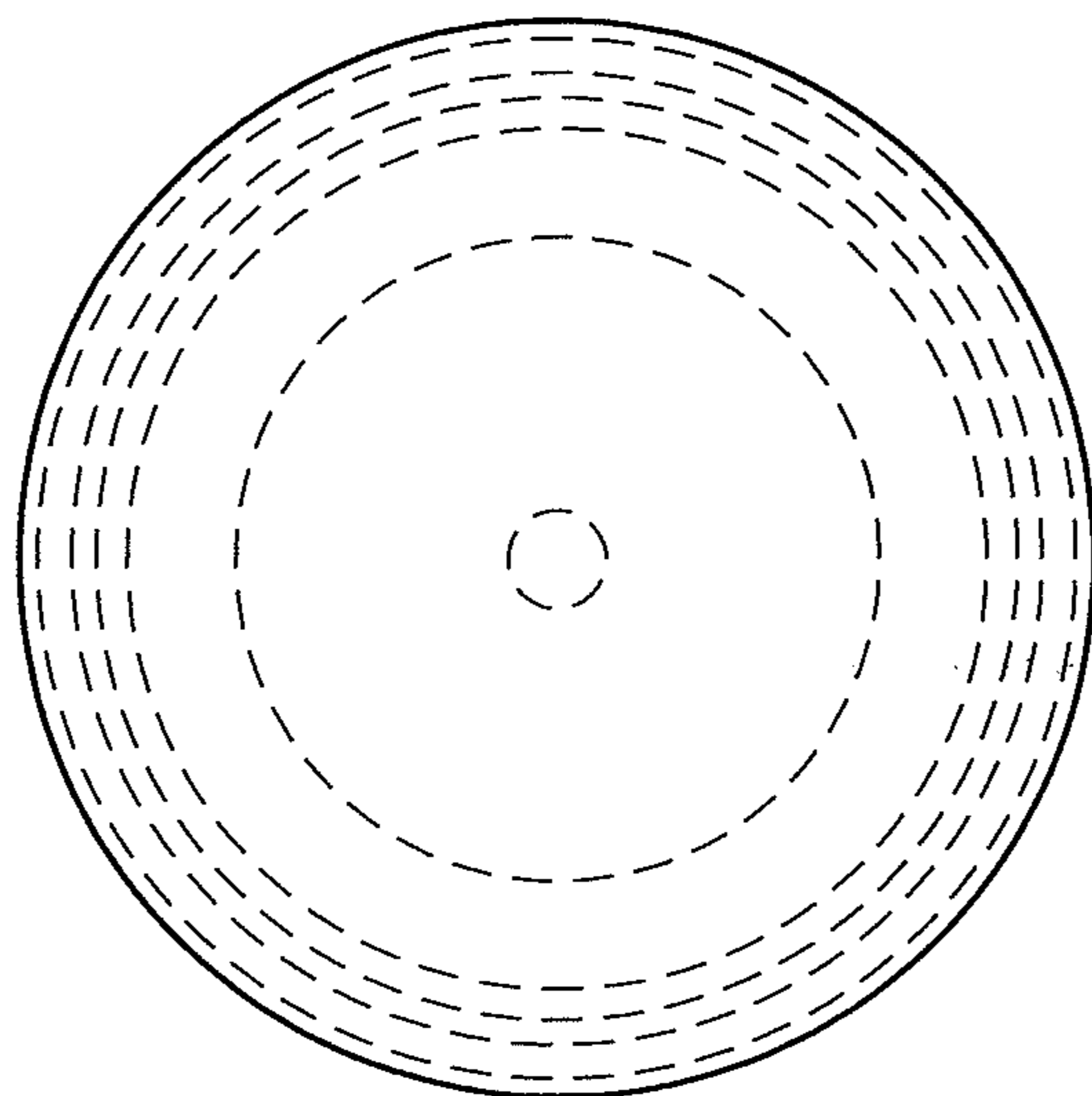


FIG. 3

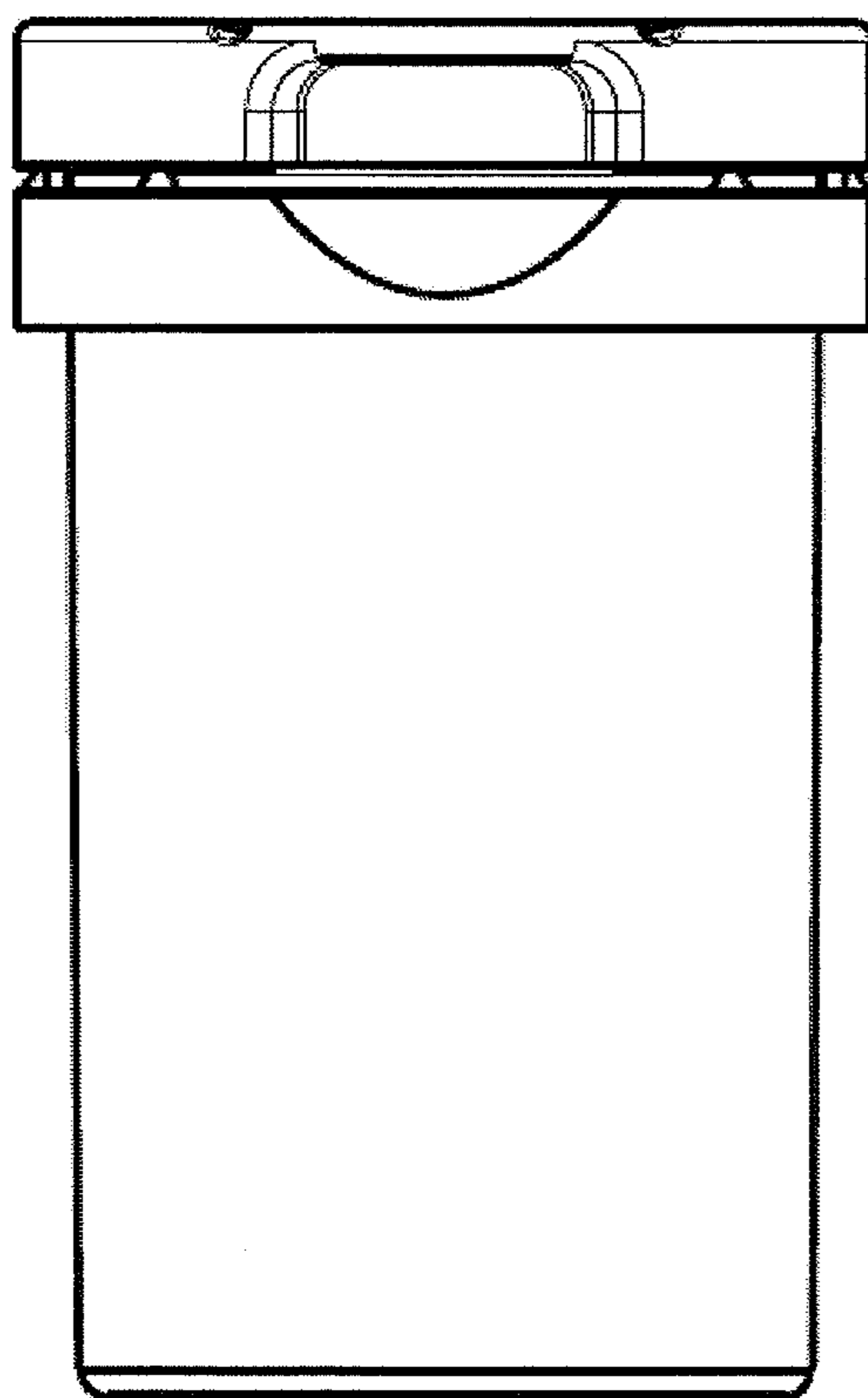


FIG. 4

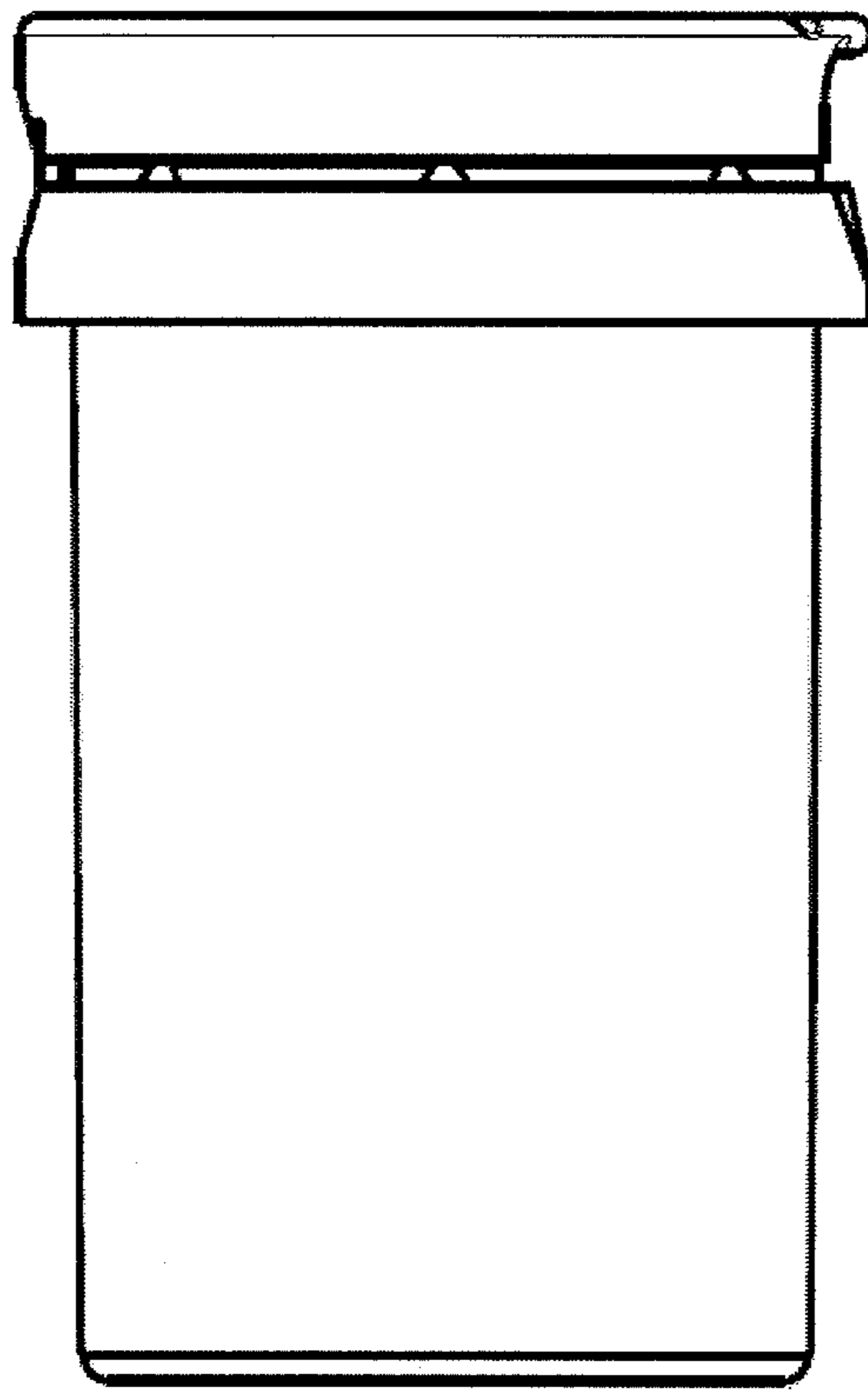


FIG. 5

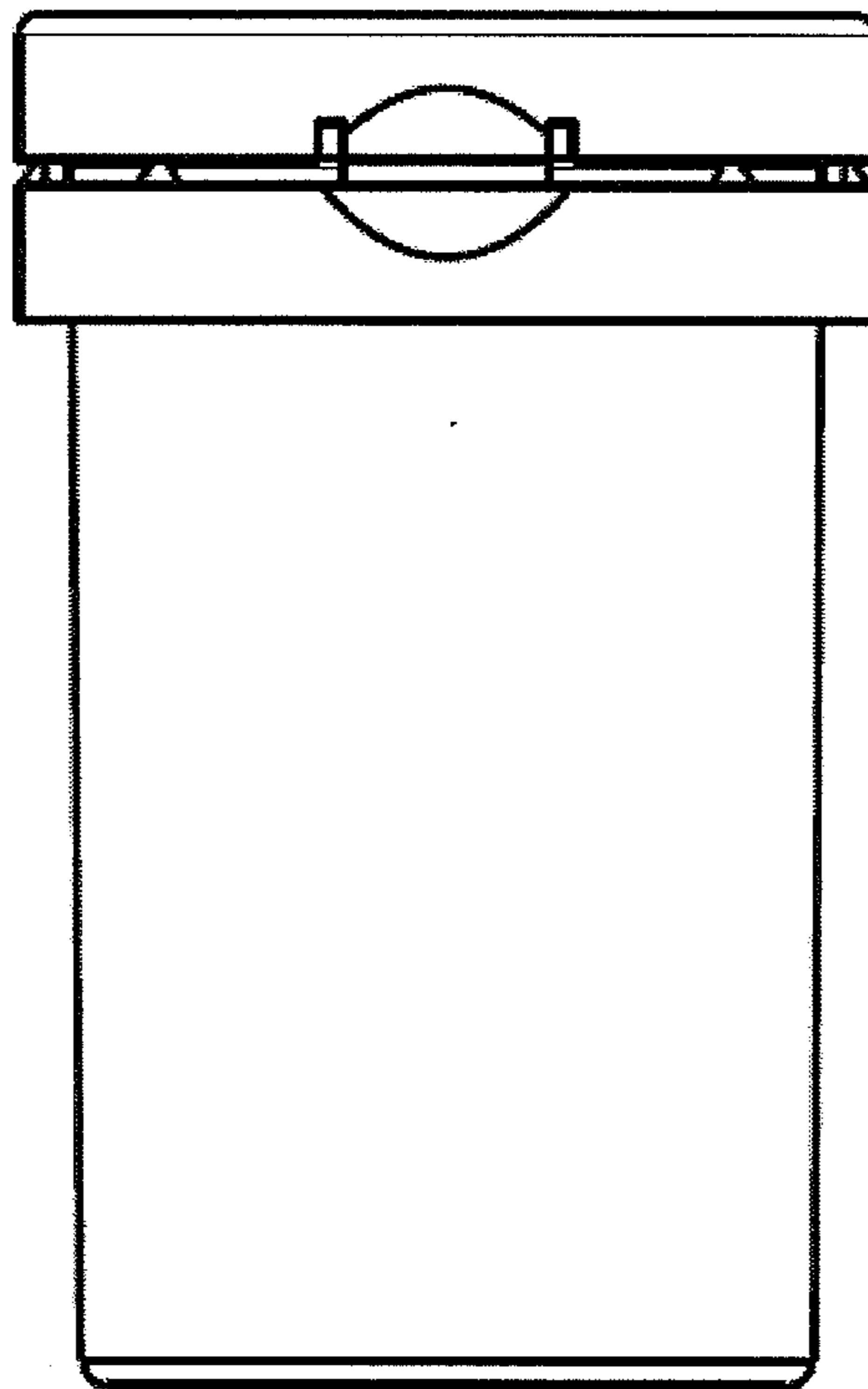


FIG. 6

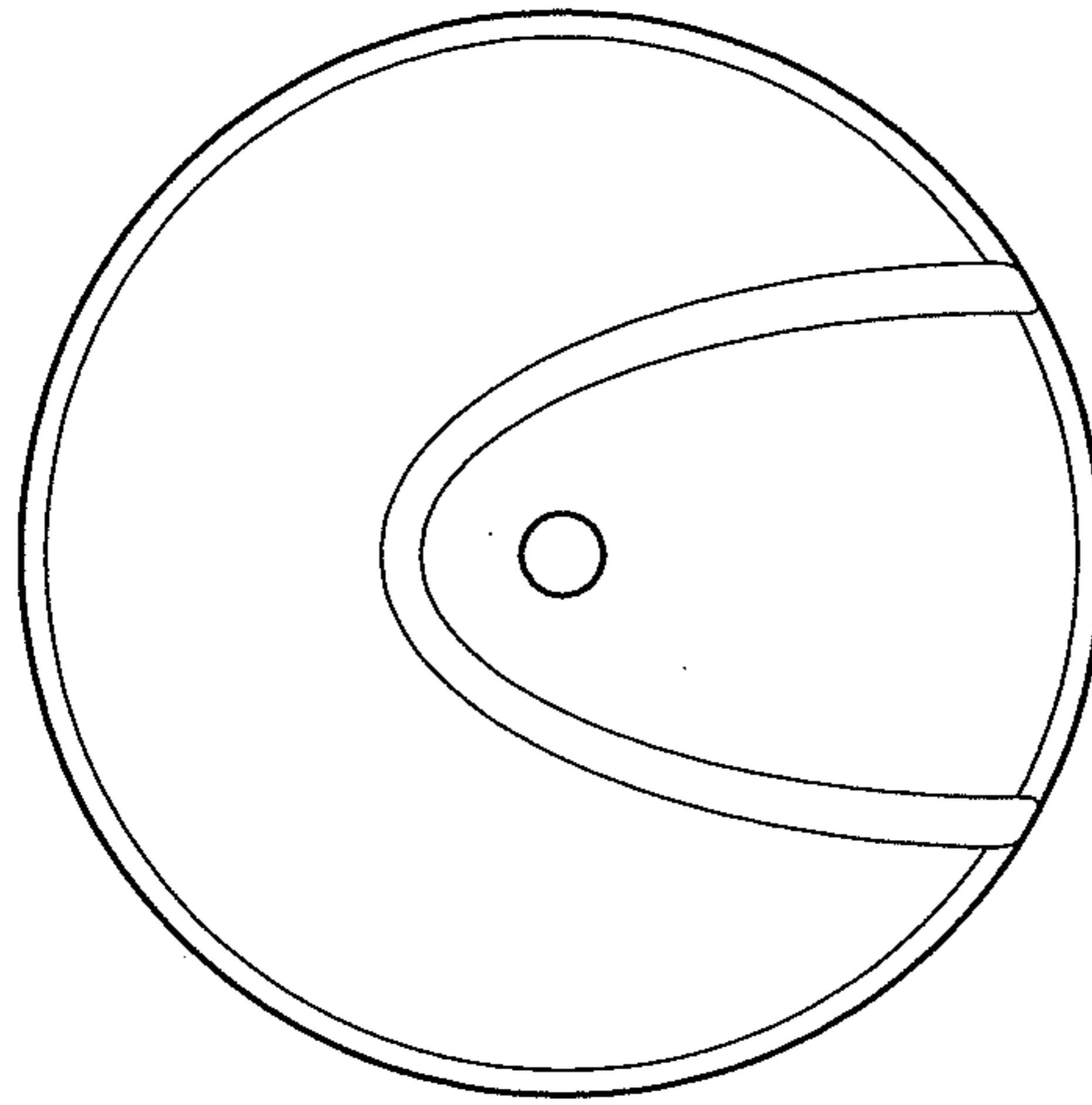


FIG. 7

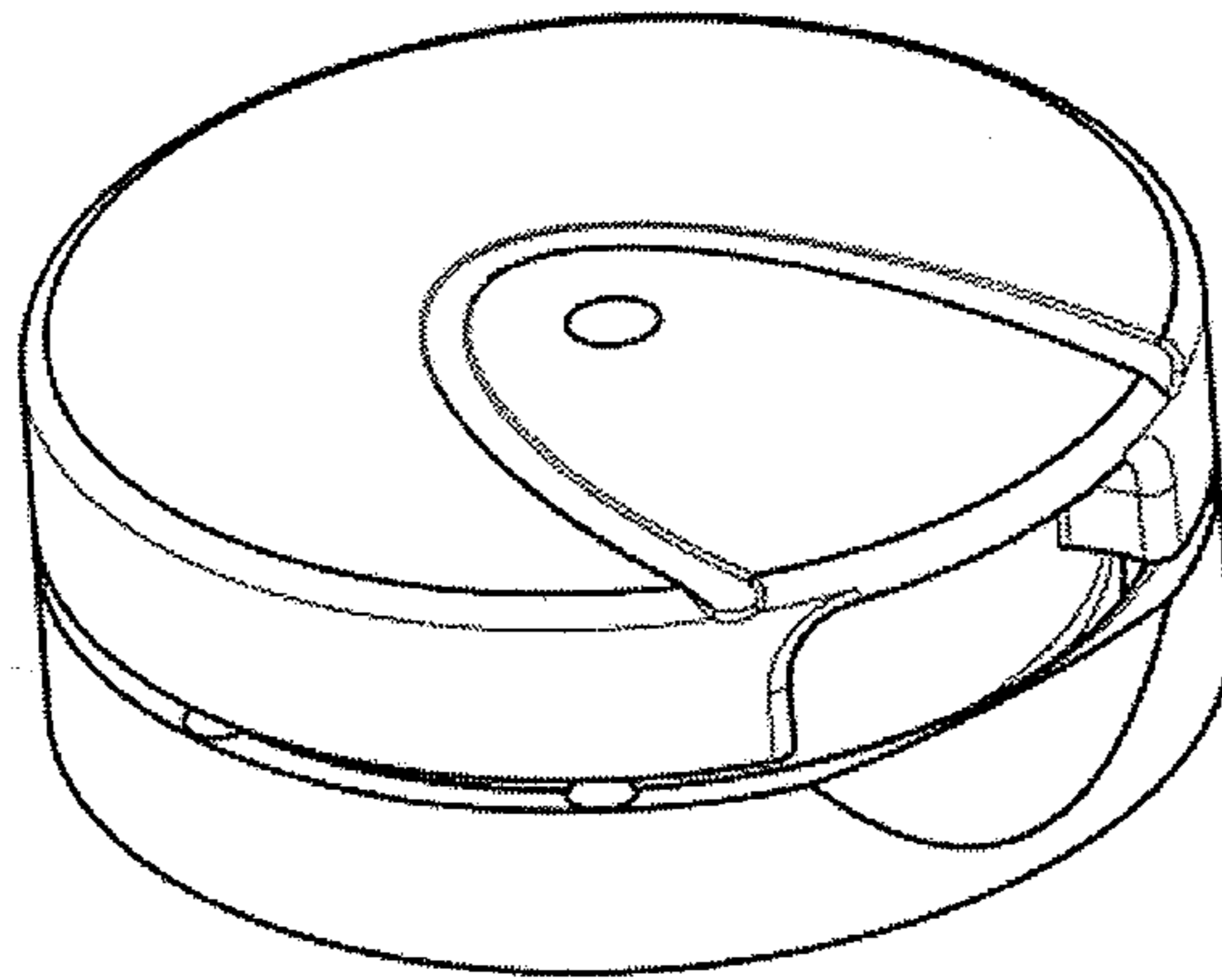


FIG. 8

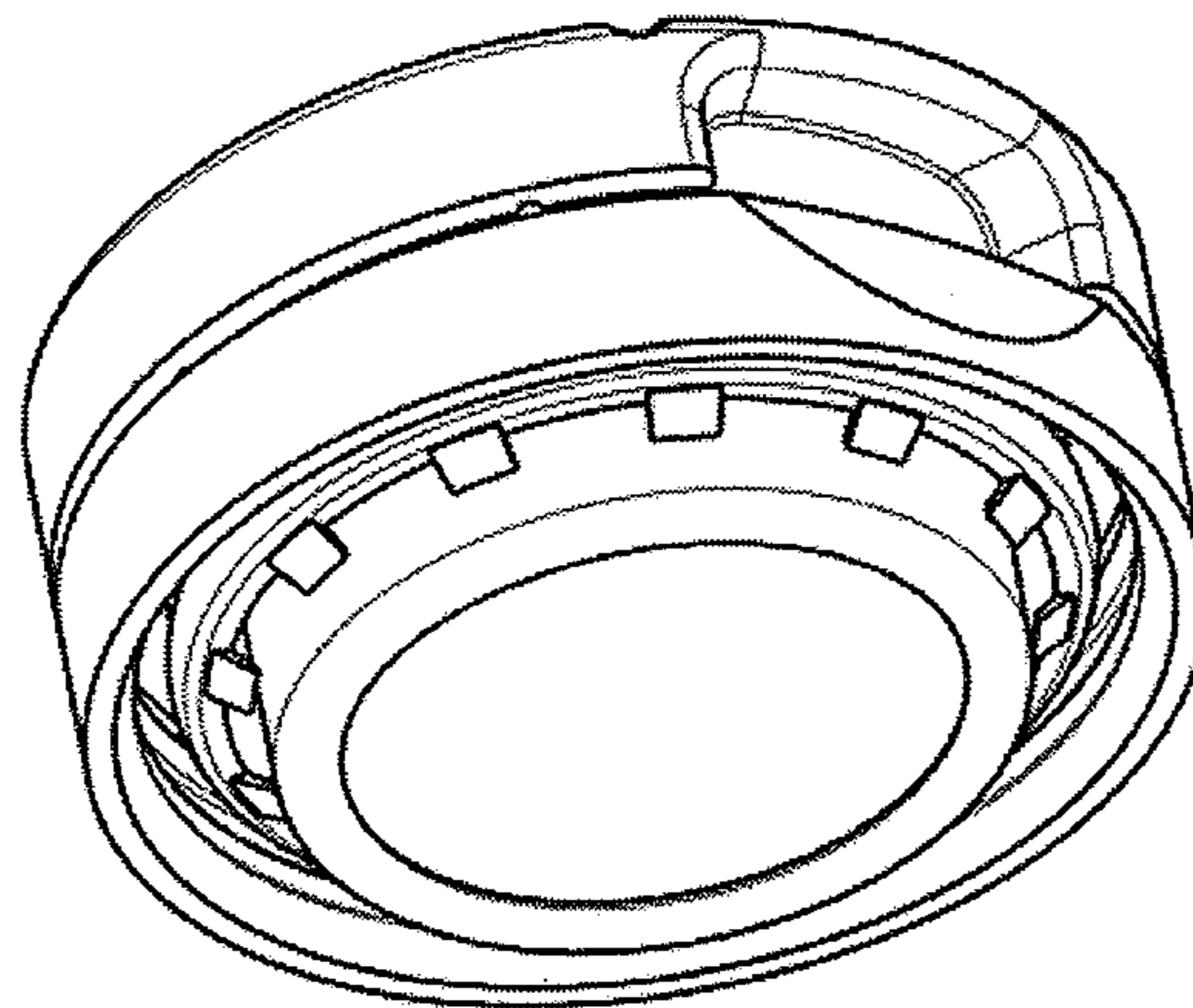


FIG. 9

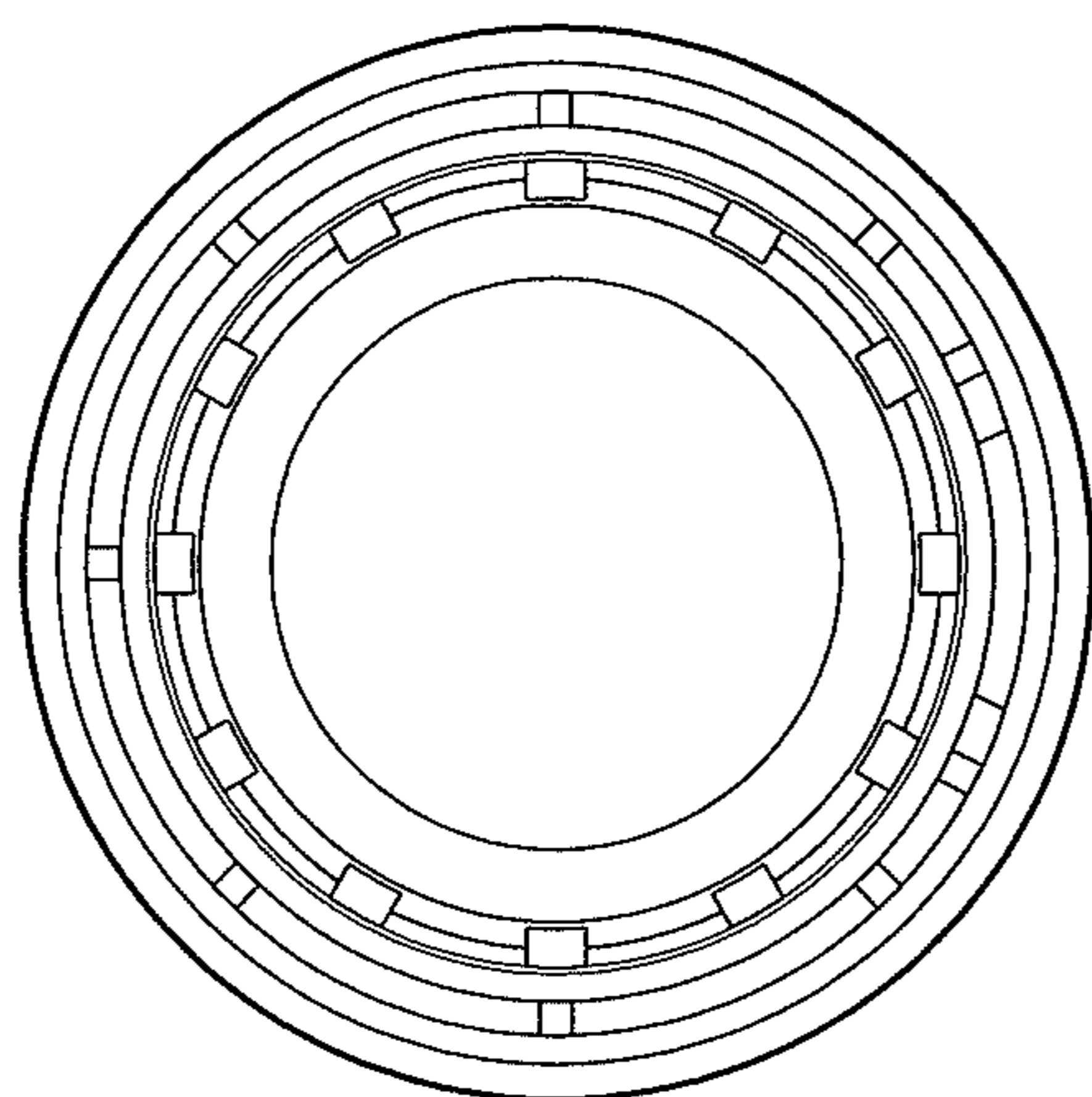


FIG. 10

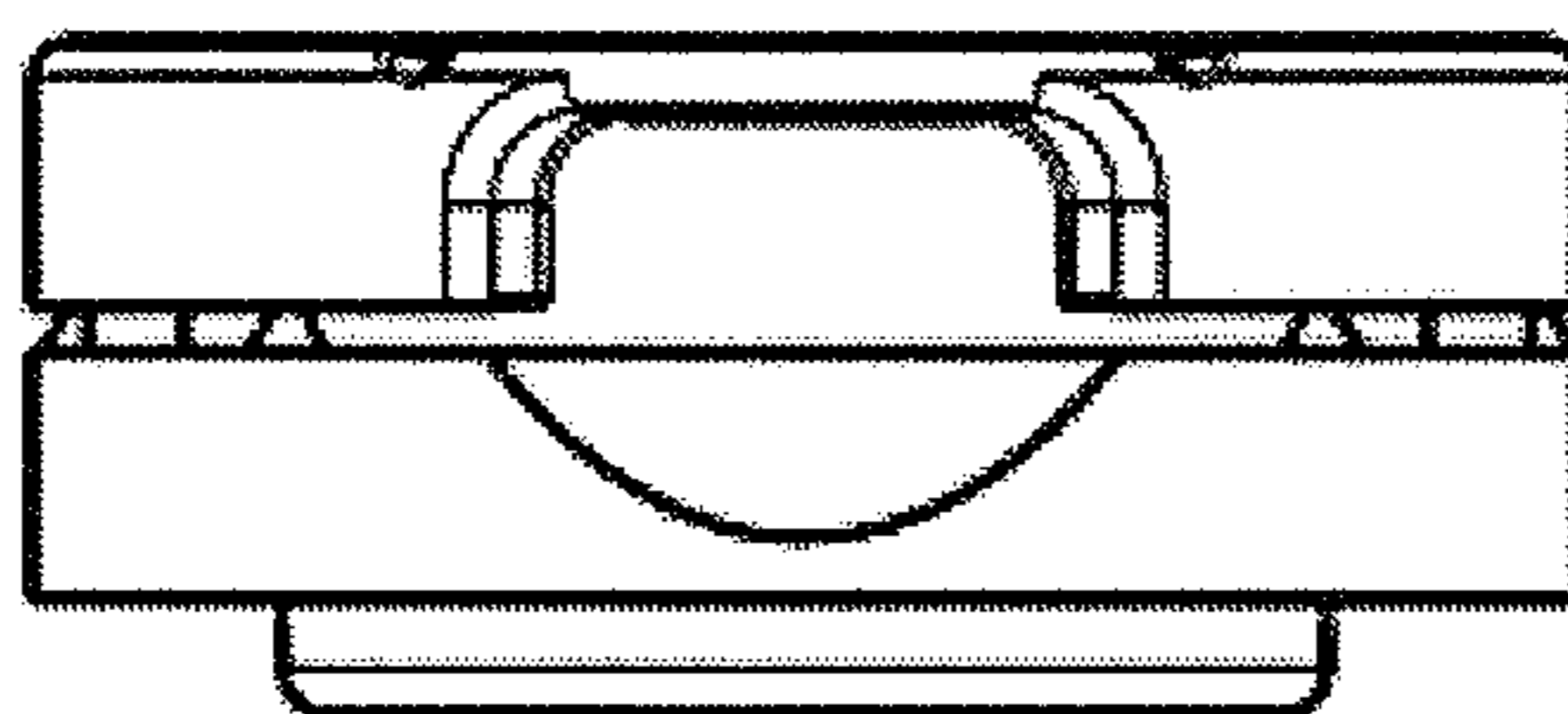


FIG. 11

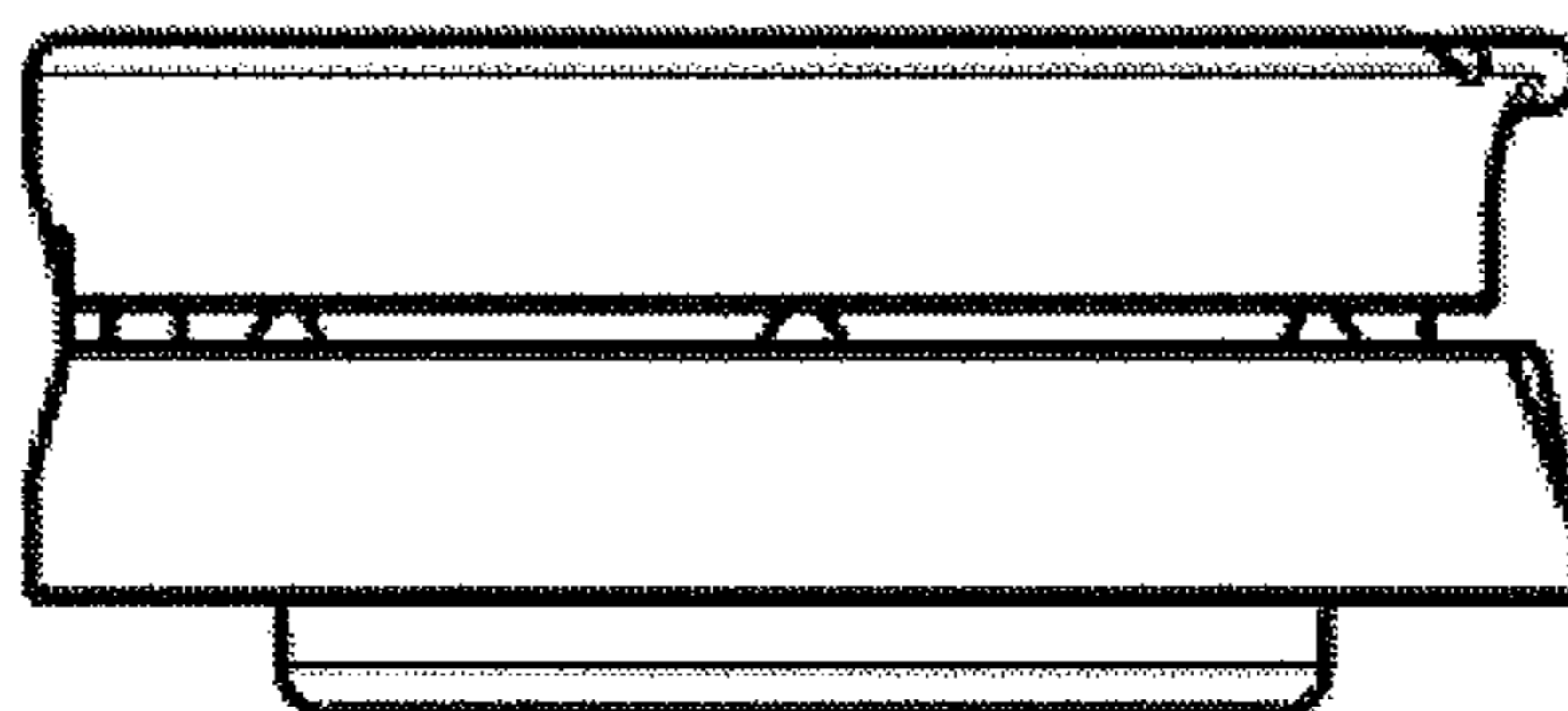


FIG. 12

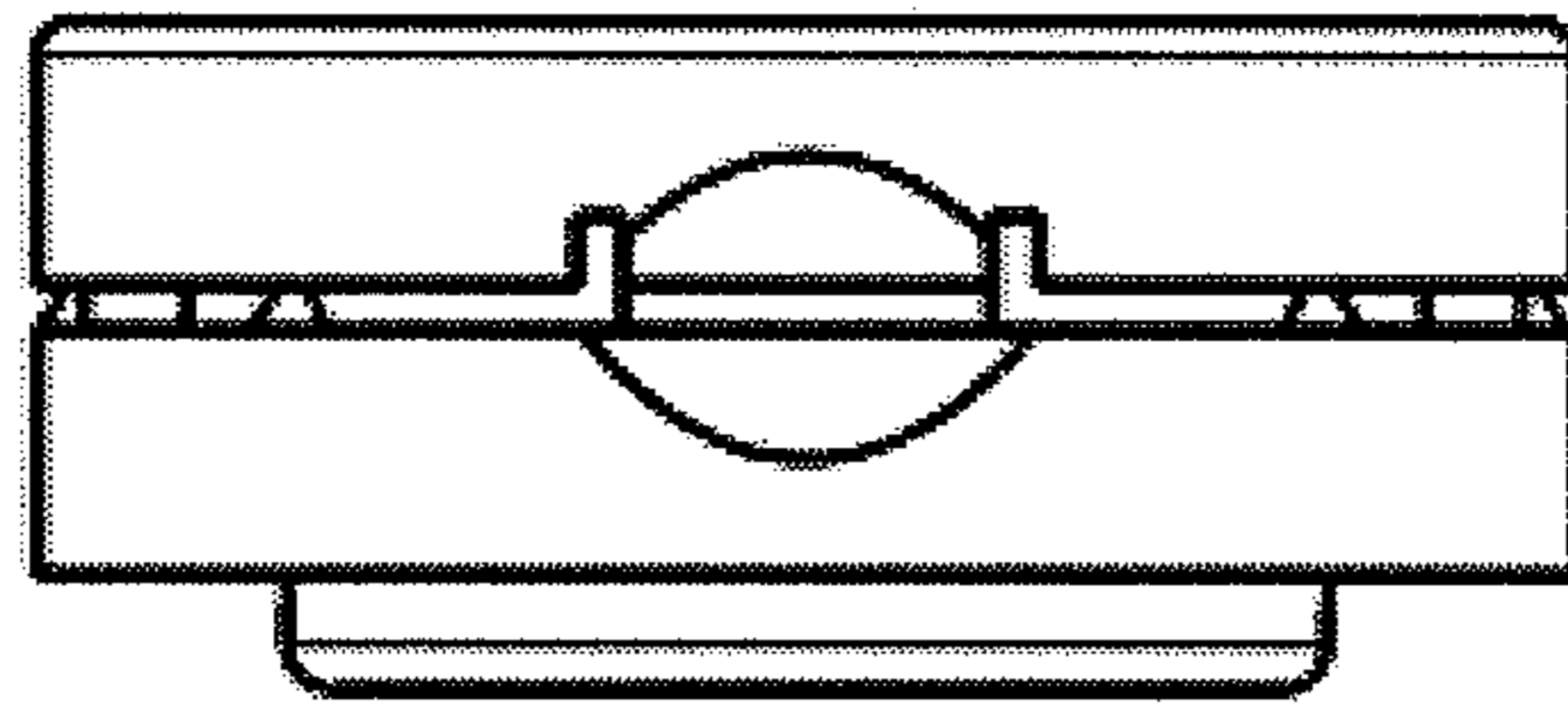


FIG. 13

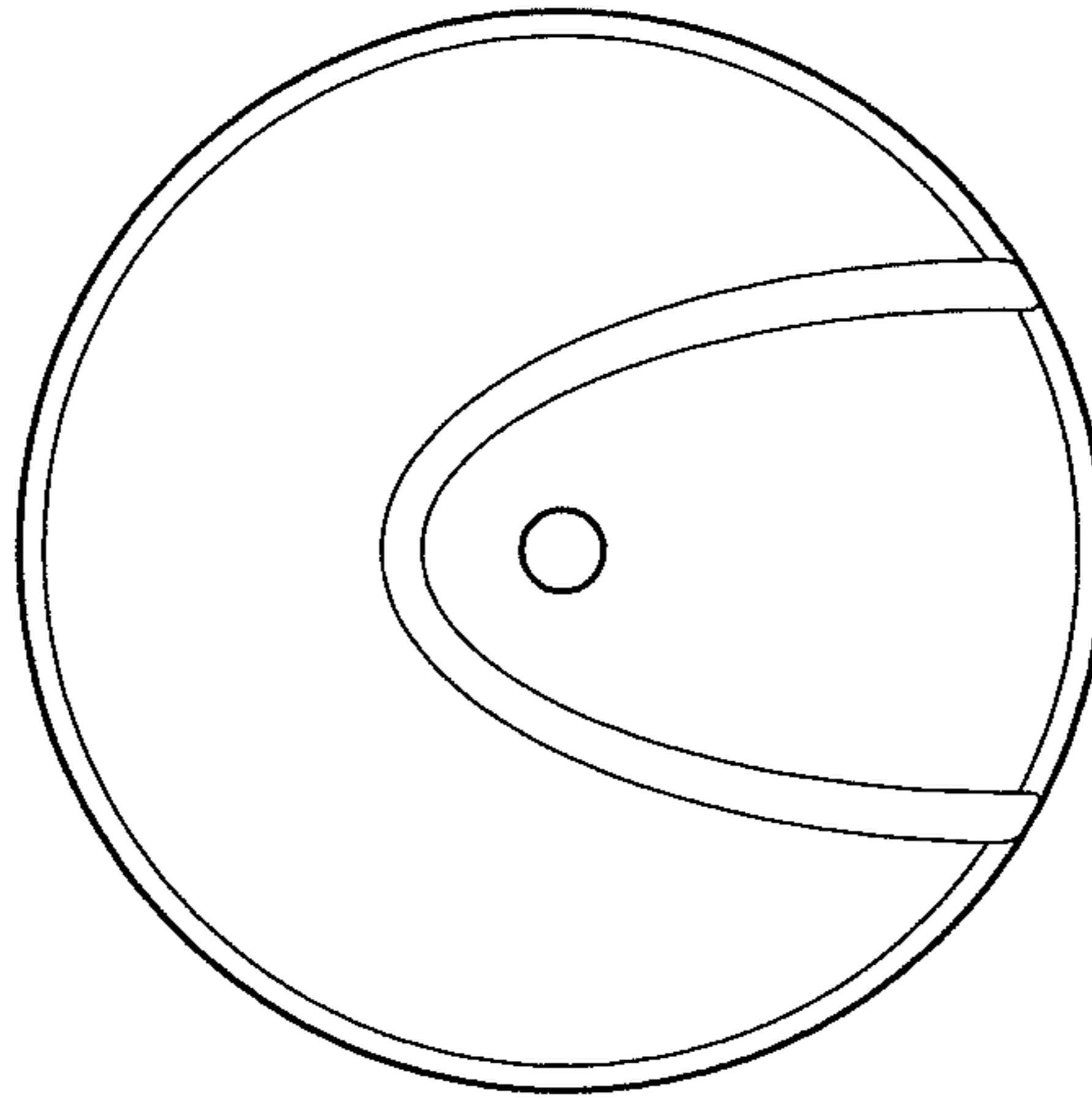


FIG. 14