



US00D729009S

(12) **United States Design Patent**  
**Merten**

(10) **Patent No.:** **US D729,009 S**  
(45) **Date of Patent:** **\*\* May 12, 2015**

(54) **TRAVEL MUG WITH ATTACHED RING**

(71) Applicant: **Gary Domenic Merten**, Torrence, CA  
(US)

(72) Inventor: **Gary Domenic Merten**, Torrence, CA  
(US)

(\*\*) Term: **14 Years**

(21) Appl. No.: **29/460,311**

(22) Filed: **Jul. 9, 2013**

(51) **LOC (10) Cl.** ..... **07-01**

(52) **U.S. Cl.**  
USPC ..... **D7/510**

(58) **Field of Classification Search**  
CPC ..... A47G 19/22-19/2222; A47G  
19/2266-19/2272; B65D 1/0223; B65D 1/023;  
B65D 1/265; B65D 81/3865-81/3874  
USPC ..... D7/509-511, 523, 529, 533, 608,  
D7/300.1; D9/537, 538, 545, 500,  
D9/503-505

See application file for complete search history.

(56) **References Cited**

**U.S. PATENT DOCUMENTS**

D232,010	S	*	7/1974	Steinmann	.....	D7/533
4,712,698	A	*	12/1987	Greenberg	.....	215/398
D399,392	S	*	10/1998	Husted	.....	D7/511
D417,589	S	*	12/1999	Parker	.....	D7/510
D466,371	S	*	12/2002	Parker	.....	D7/510
D469,658	S	*	2/2003	Norris et al.	.....	D7/523
D470,015	S	*	2/2003	Kortleven et al.	.....	D7/536
D471,763	S	*	3/2003	Hurlbut et al.	.....	D7/510
D483,615	S	*	12/2003	Norris et al.	.....	D7/533
D485,730	S	*	1/2004	Thun	.....	D7/511
D495,186	S	*	8/2004	Poupel et al.	.....	D7/300.1
D512,269	S	*	12/2005	Trombly	.....	D7/510
D523,692	S	*	6/2006	Meehan	.....	D7/510
D528,861	S	*	9/2006	Herrera	.....	D7/510
D531,454	S	*	11/2006	Zerillo et al.	.....	D7/533
D533,402	S	*	12/2006	Bin	.....	D7/510

D540,124	S	*	4/2007	Ross	.....	D7/608
D545,128	S	*	6/2007	Liu et al.	.....	D7/507
D547,121	S	*	7/2007	Friedman	.....	D7/511
D558,523	S	*	1/2008	Bhavnani	.....	D7/510
D567,025	S	*	4/2008	Claffey	.....	D7/536
D589,751	S	*	4/2009	Liu et al.	.....	D7/510
D598,242	S	*	8/2009	Kusher	.....	D7/507
D621,220	S	*	8/2010	Lown et al.	.....	D7/510
D621,666	S	*	8/2010	Wahl	.....	D7/608
D628,439	S	*	12/2010	LeVere	.....	D7/533
D628,440	S	*	12/2010	LeVere	.....	D7/533
D628,441	S	*	12/2010	LeVere	.....	D7/533
RE42,172	E	*	3/2011	Trombly	.....	D7/523
D665,227	S	*	8/2012	Cason	.....	D7/510
D683,591	S	*	6/2013	Cahen	.....	D7/536

\* cited by examiner

*Primary Examiner* — Susan Bennett Hattan  
*Assistant Examiner* — Brett Miller

(57) **CLAIM**

The ornamental design for a travel mug with attached ring, as shown and described.

**DESCRIPTION**

FIG. 1 is a perspective front view of the travel mug with attached ring;

FIG. 2 is a front elevation view of the travel mug with attached ring;

FIG. 3 is a rear elevation view of the travel mug with attached ring;

FIG. 4 is a left side elevation view of the travel mug with attached ring;

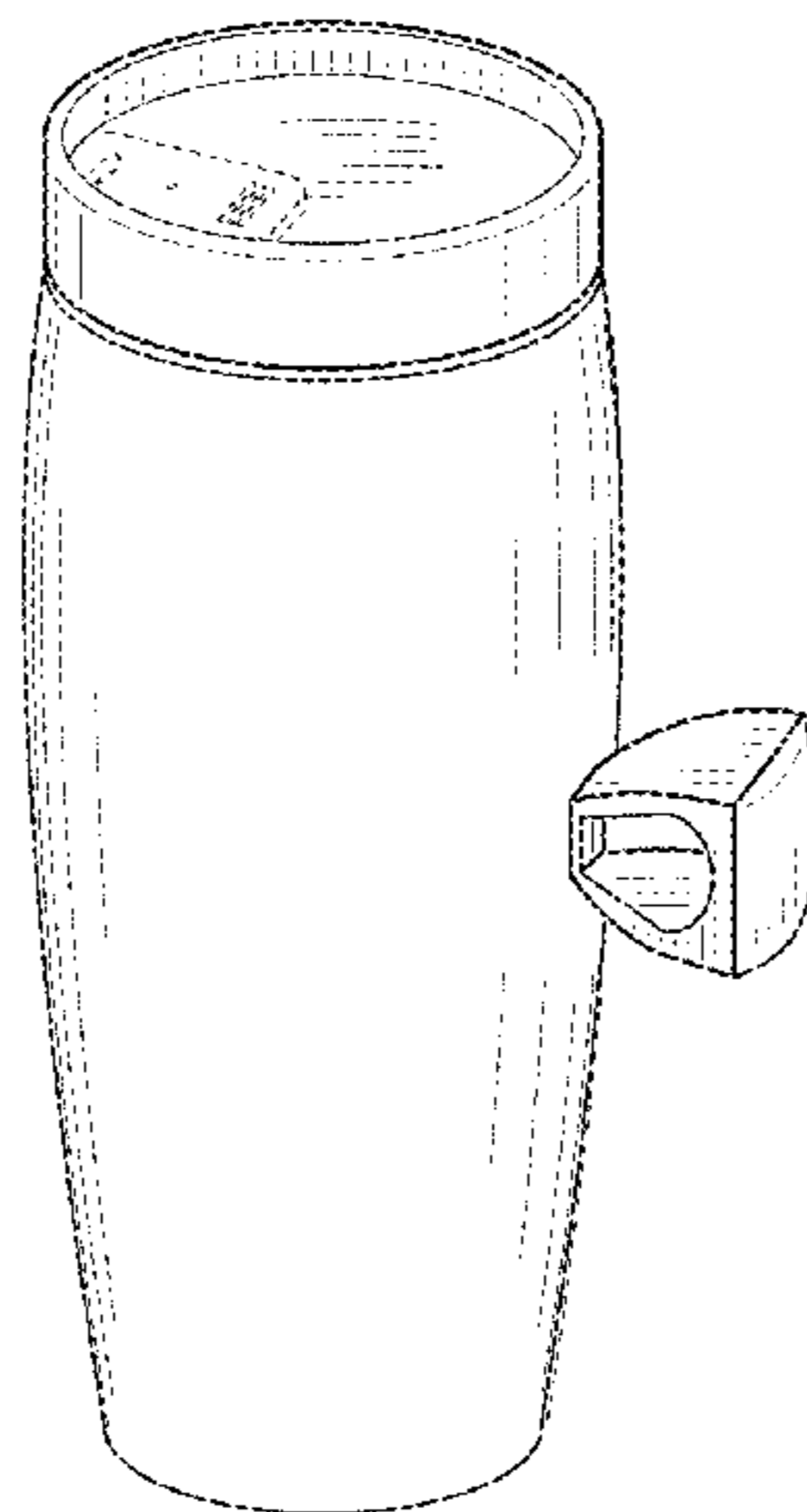
FIG. 5 is a right side elevation view of the travel mug with attached ring;

FIG. 6 is a top elevation view of the travel mug with attached ring; and,

FIG. 7 is a bottom elevation view of the travel mug with attached ring.

The contents access panel in FIG. 1 and FIG. 6 is shown in broken lines for illustrative purposes only and forms no part of the claimed design.

**1 Claim, 3 Drawing Sheets**



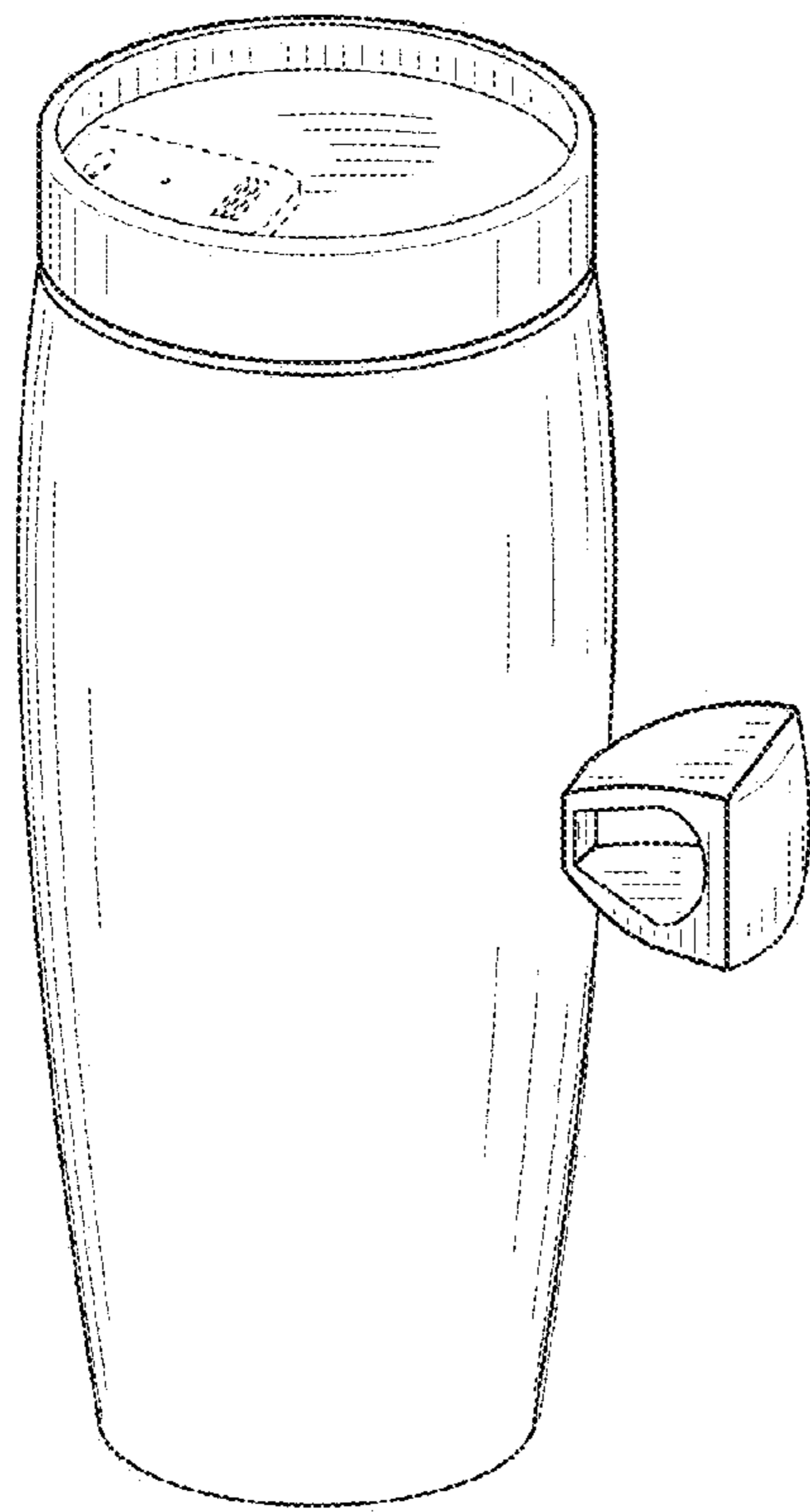


FIG. 1

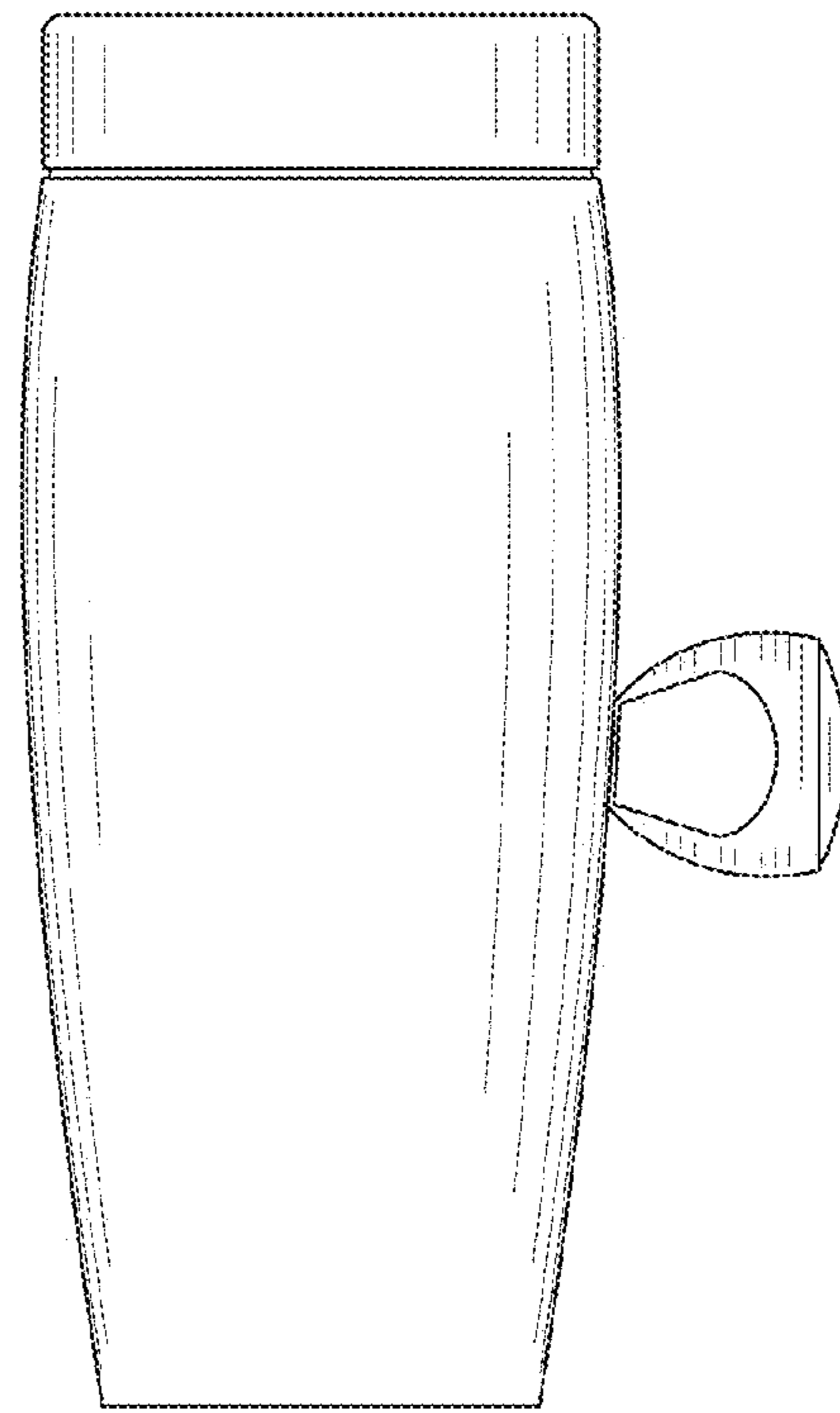


FIG. 2

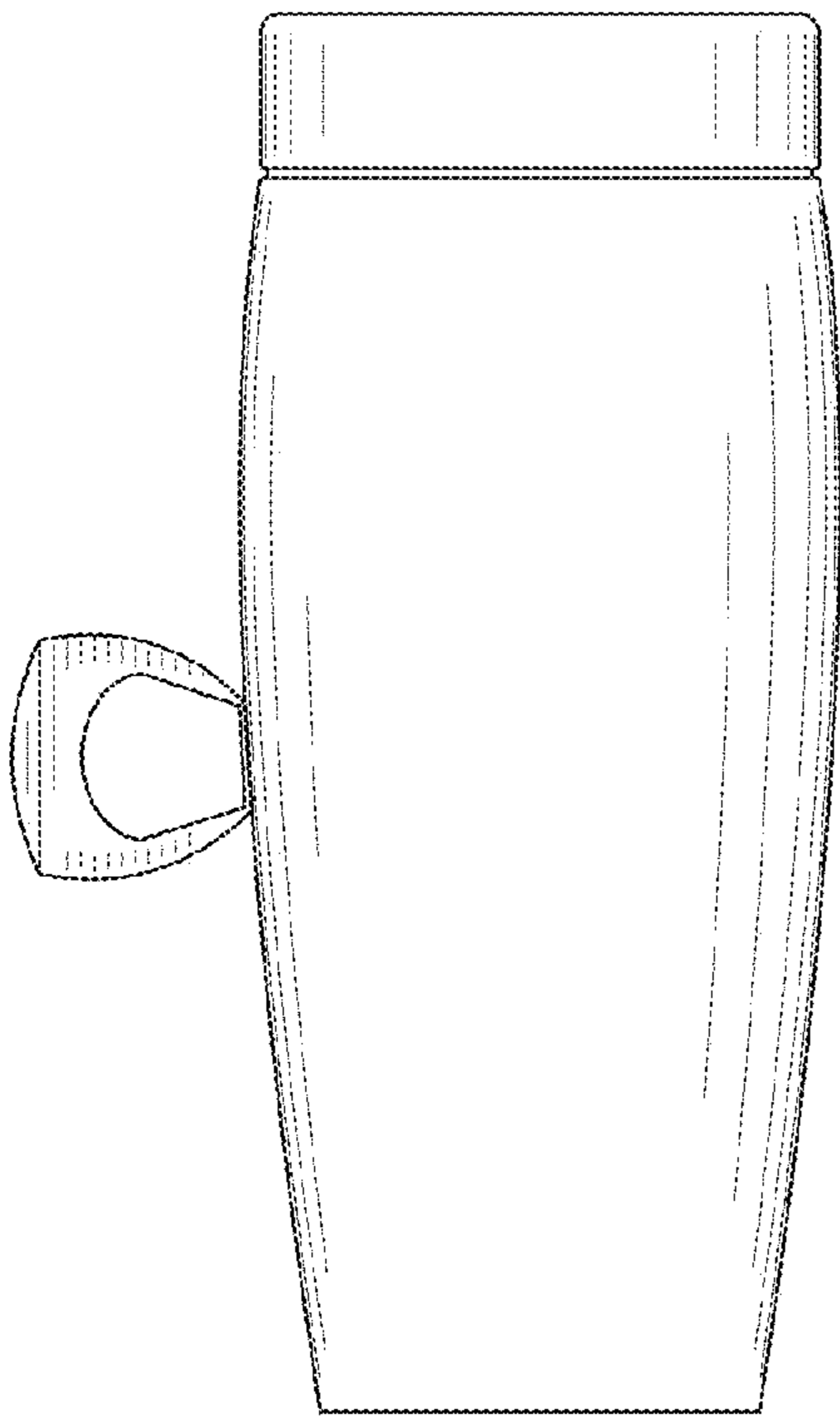


FIG. 3

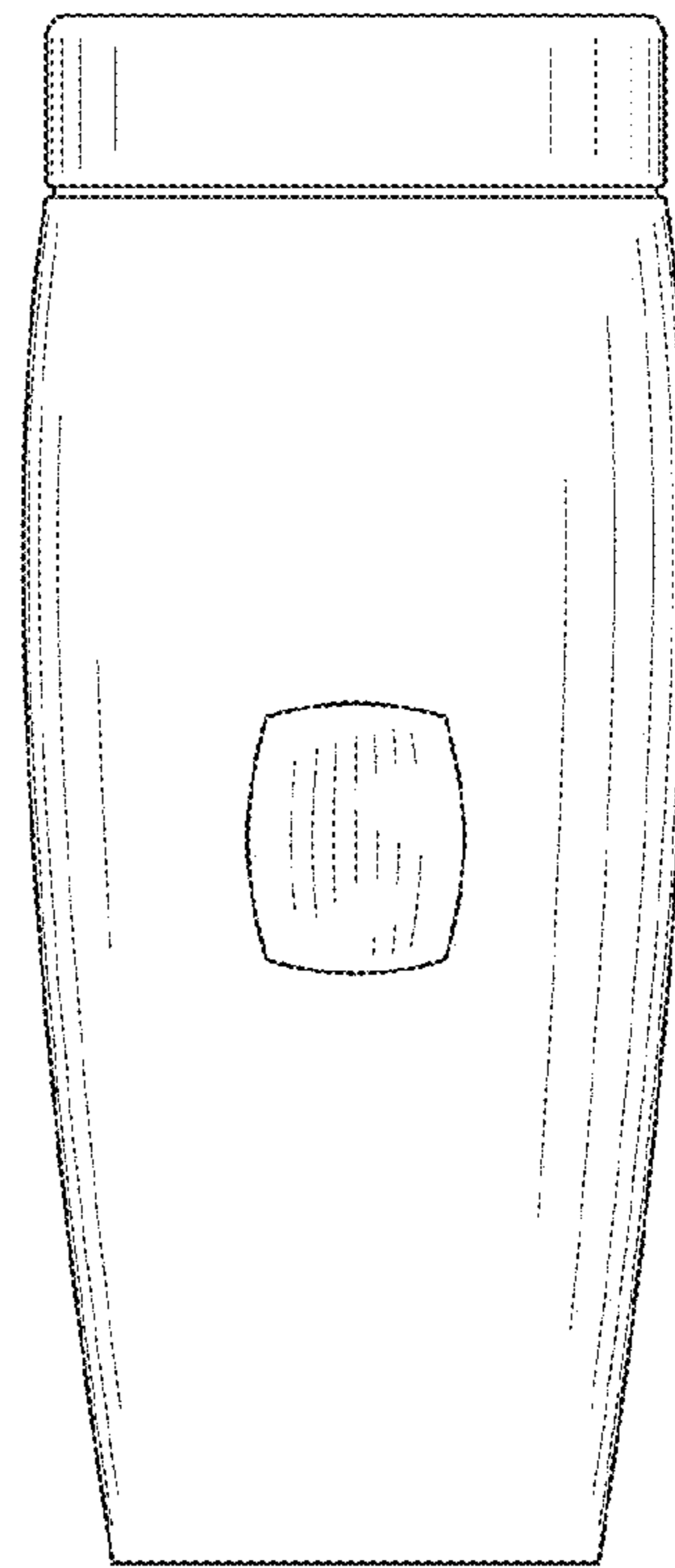


FIG. 4

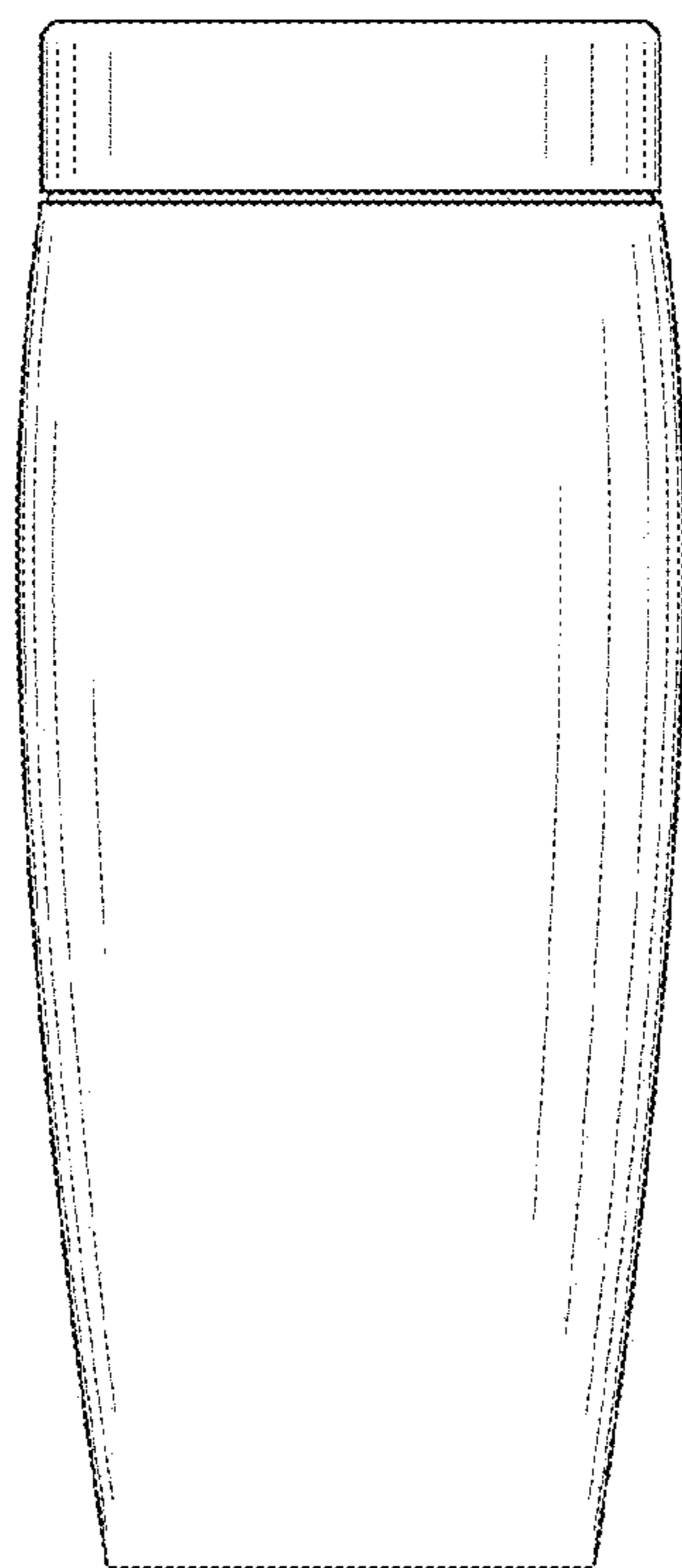


FIG. 5

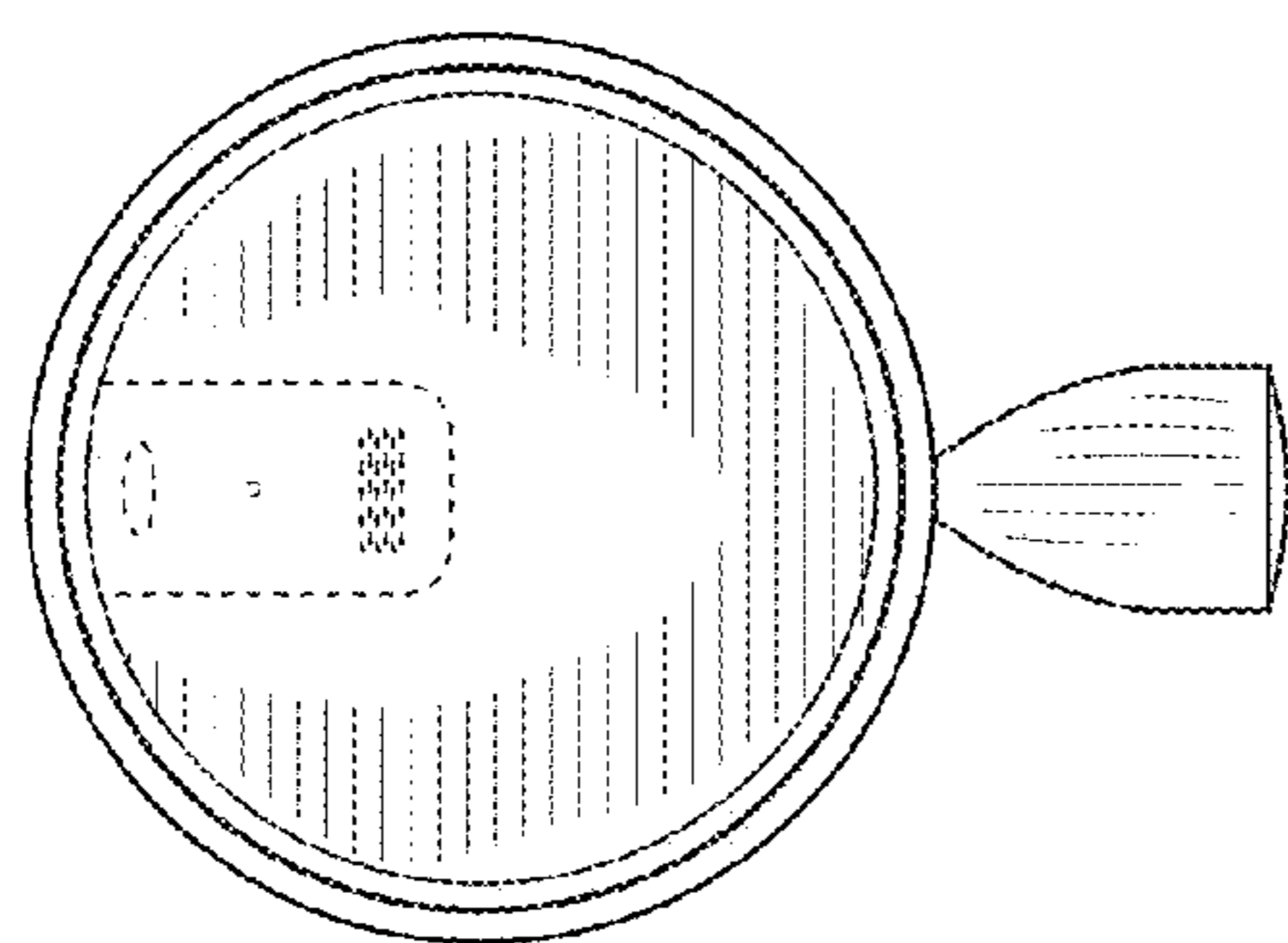


FIG. 6

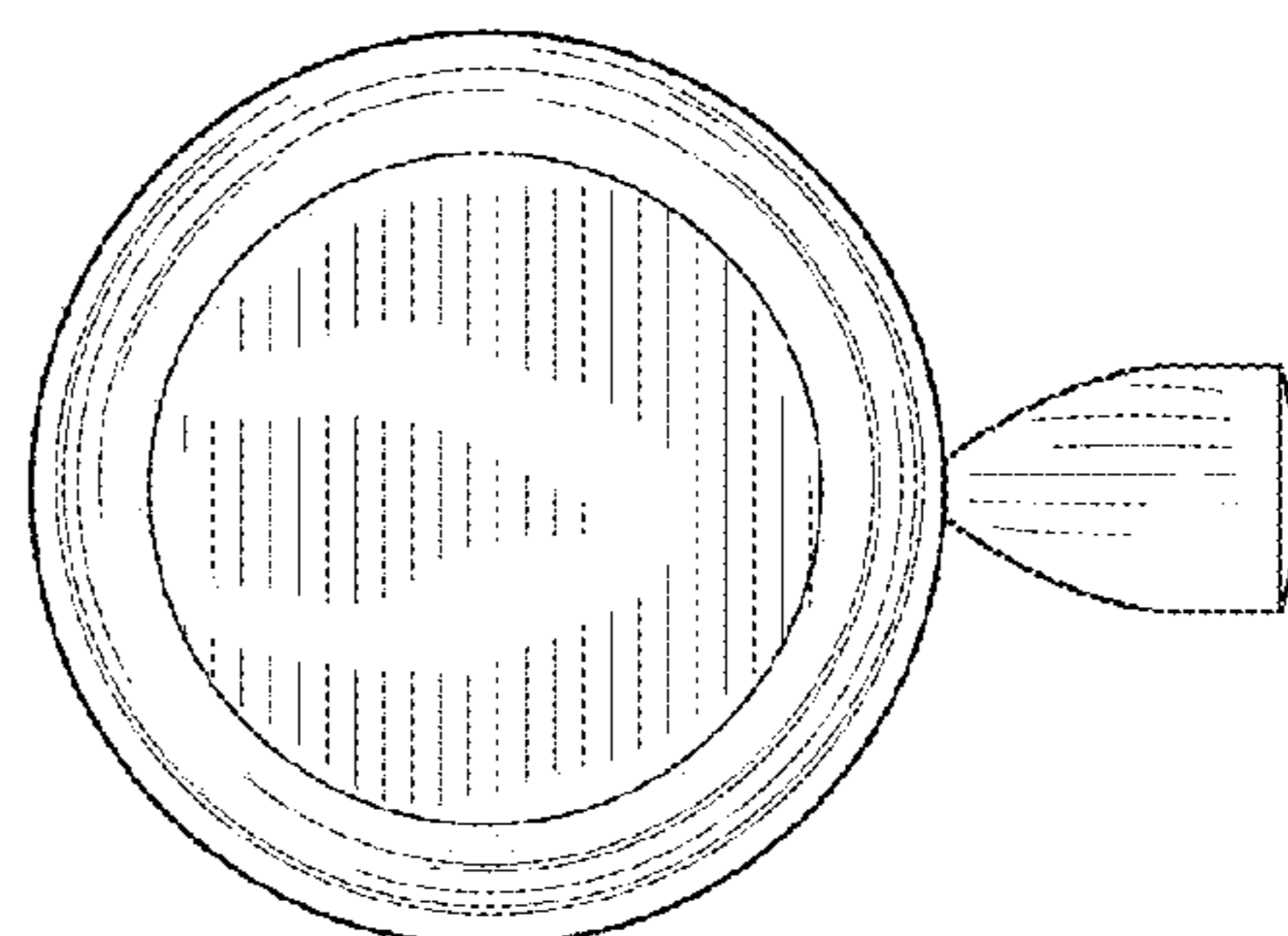


FIG. 7