

US00D729008S

(12) **United States Design Patent**  
**Rankin**

(10) **Patent No.:** **US D729,008 S**  
(45) **Date of Patent:** **\*\* May 12, 2015**

(54) **MEGAPHONE AND SCREW-ON CUP BASE**

(71) Applicant: **Kevin Rankin**, Indianapolis, IN (US)

(72) Inventor: **Kevin Rankin**, Indianapolis, IN (US)

(\*\*) Term: **14 Years**

(21) Appl. No.: **29/490,746**

(22) Filed: **May 13, 2014**

(51) **LOC (10) Cl.** ..... **07-01**

(52) **U.S. Cl.**  
USPC ..... **D7/507; D7/515; D7/536**

(58) **Field of Classification Search**  
CPC ..... **A47G 19/22**  
USPC ..... **D7/507, 515, 533, 536, 509, 523;**  
**D14/187; 181/178; 446/74; 220/625,**  
**220/630**

See application file for complete search history.

(56) **References Cited**

**U.S. PATENT DOCUMENTS**

D46,404 S *	9/1914	Lougee	.....	D14/187
1,767,358 A *	6/1930	Gottshall	.....	181/188
4,125,218 A	11/1978	DeBoer		
D283,772 S *	5/1986	Vail	.....	D7/536
4,618,066 A *	10/1986	Vail	.....	215/13.1
D333,409 S *	2/1993	Dietzmann	.....	D7/507
5,501,363 A *	3/1996	Muller et al.	.....	220/630
D377,738 S *	2/1997	Thorne	.....	D7/536
D403,399 S *	12/1998	Montgomery et al.	.....	D24/120
5,859,915 A	1/1999	Norris		

5,967,875 A *	10/1999	Graef	.....	446/74
D502,056 S *	2/2005	Bakti	.....	D7/507
D559,830 S *	1/2008	Lintern	.....	D14/187
D596,899 S *	7/2009	Spiller	.....	D7/507
D620,314 S *	7/2010	Dorsey et al.	.....	D7/507
D647,140 S *	10/2011	Ray	.....	D19/73
D649,836 S *	12/2011	Dooley et al.	.....	D7/536
D650,236 S *	12/2011	Schmidt	.....	D7/536
8,191,673 B1 *	6/2012	Peaslee	.....	181/178
D664,810 S *	8/2012	Borrello et al.	.....	D7/515
8,439,221 B2 *	5/2013	Davis	.....	220/592.01

**FOREIGN PATENT DOCUMENTS**

WO WO2009061938 5/2009

\* cited by examiner

*Primary Examiner* — Marianne Pandozzi

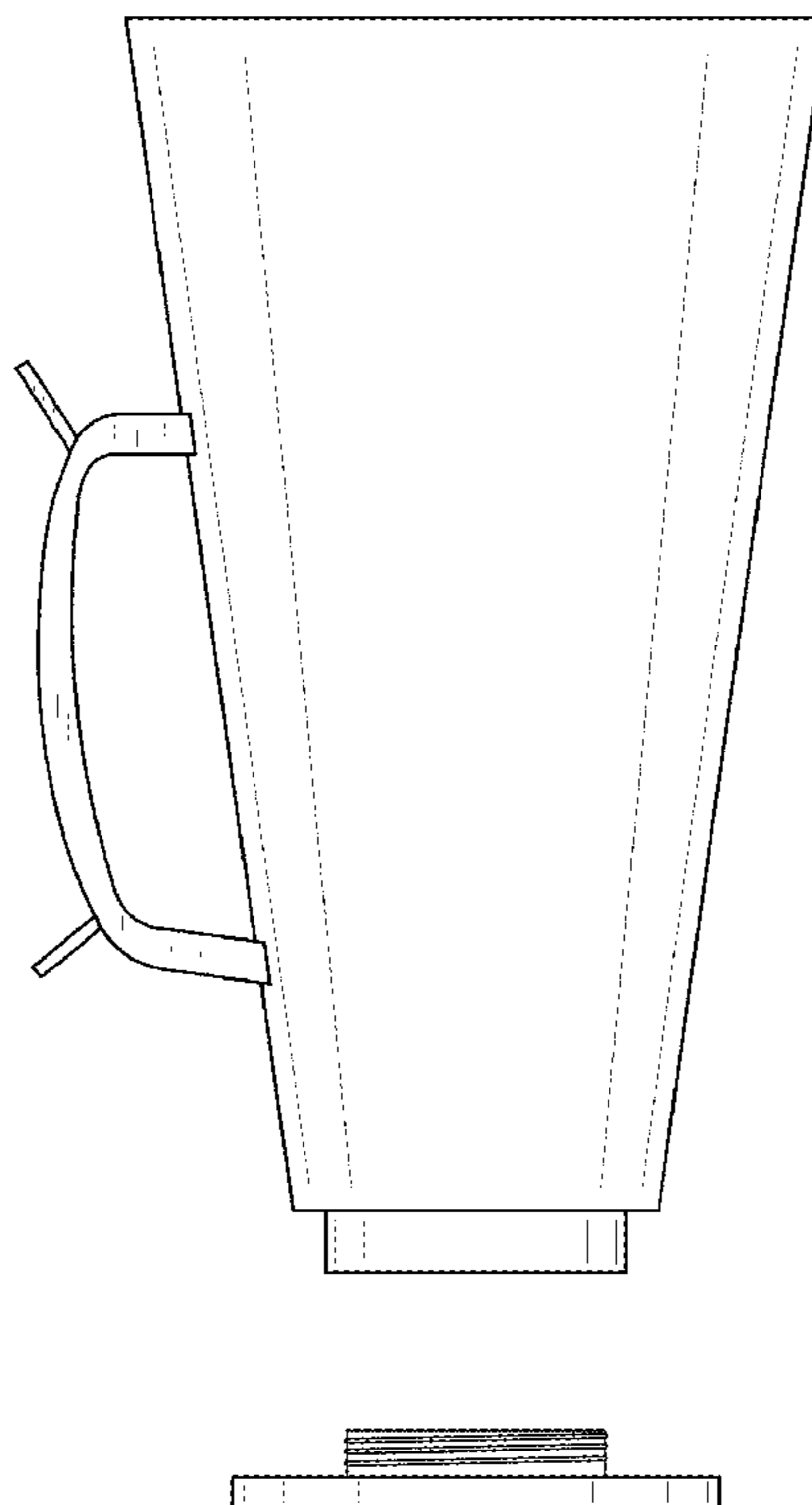
(57) **CLAIM**

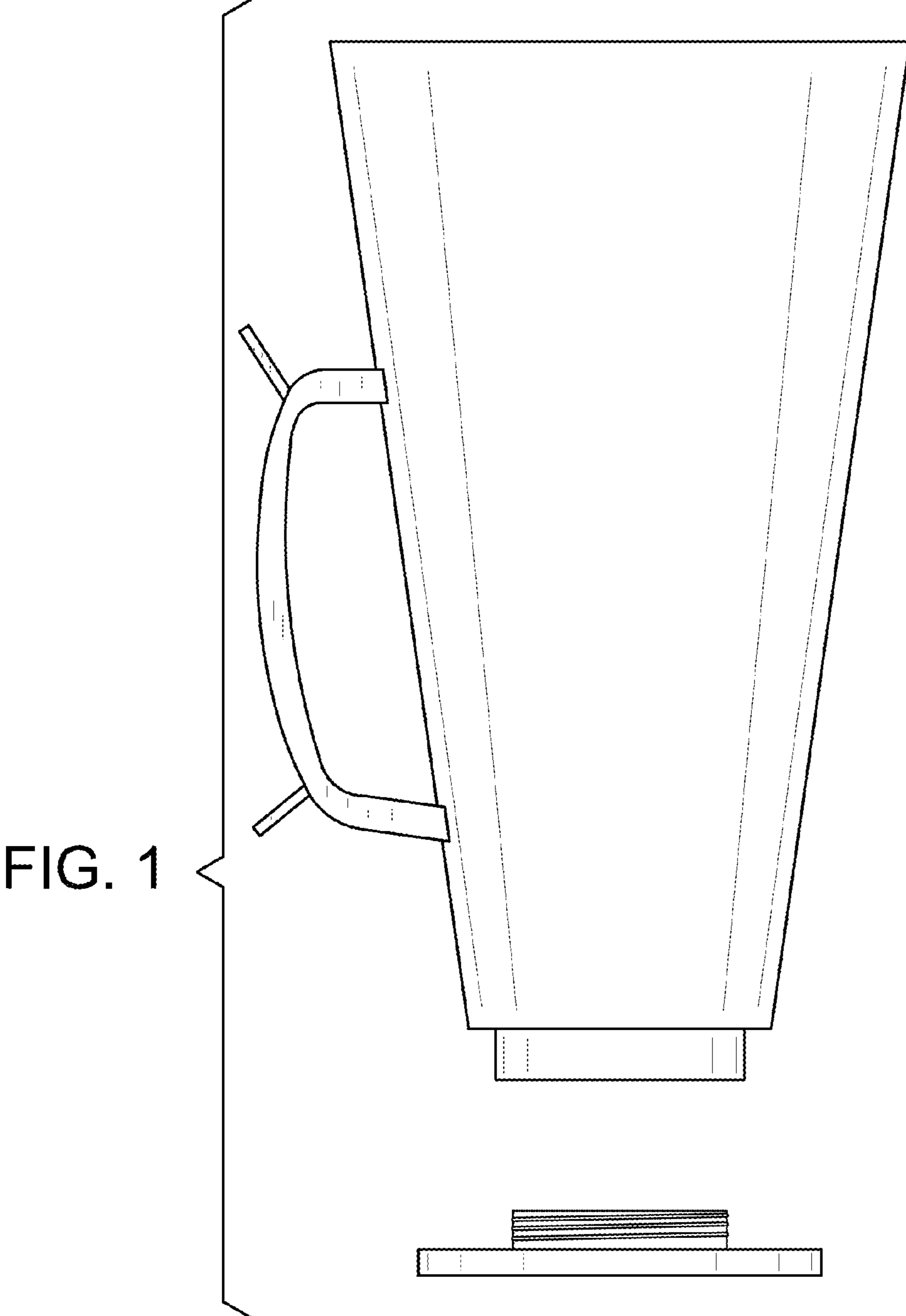
I claim the ornamental design for the megaphone and screw-on cup base, as shown and described.

**DESCRIPTION**

FIG. 1 is an exploded front view of the megaphone and screw-on cup base;  
FIG. 2 is a left side view thereof;  
FIG. 3 is a right side view thereof;  
FIG. 4 is a top view thereof;  
FIG. 5 is a bottom view thereof; and,  
FIG. 6 is a perspective view thereof.

**1 Claim, 6 Drawing Sheets**





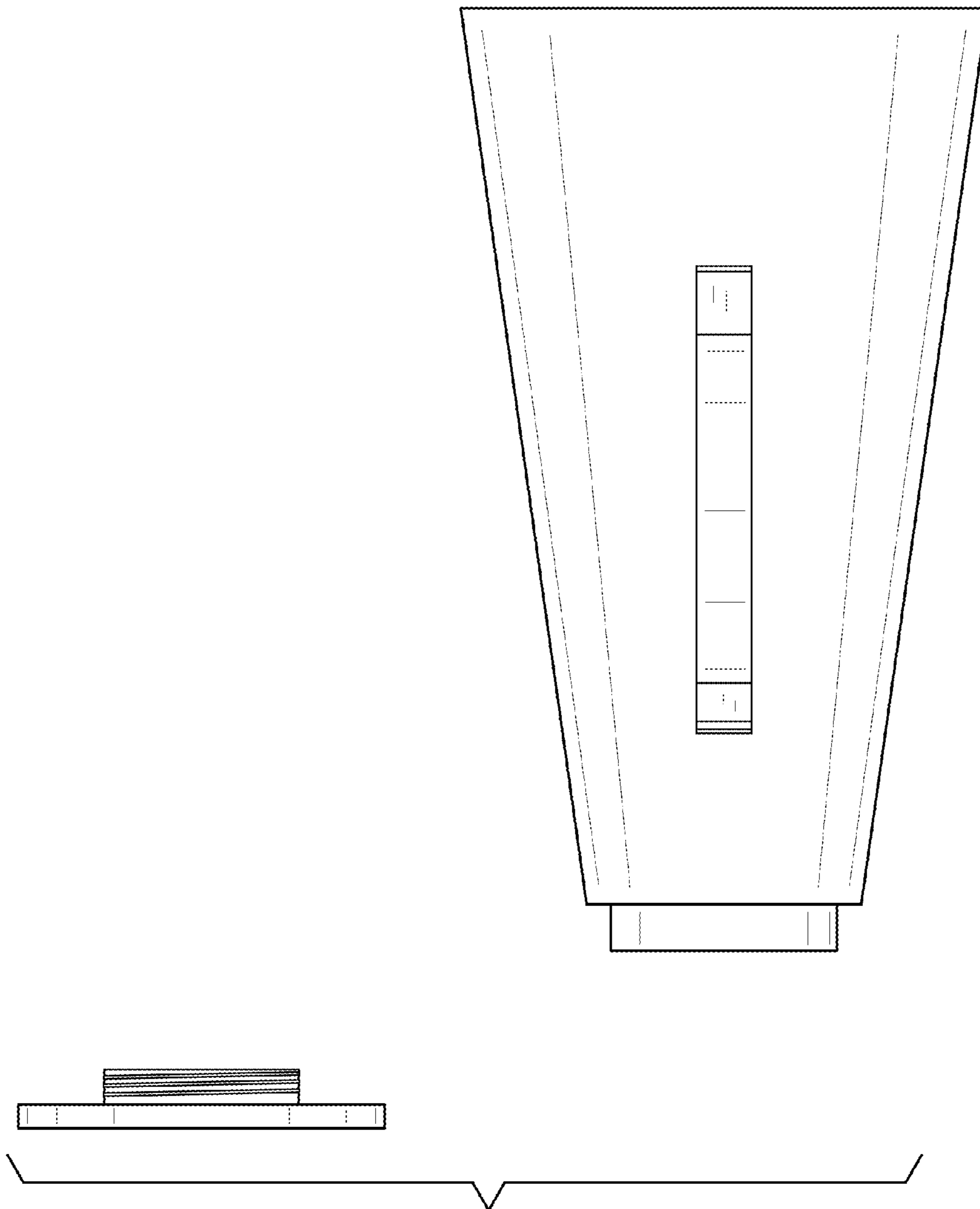


FIG. 2

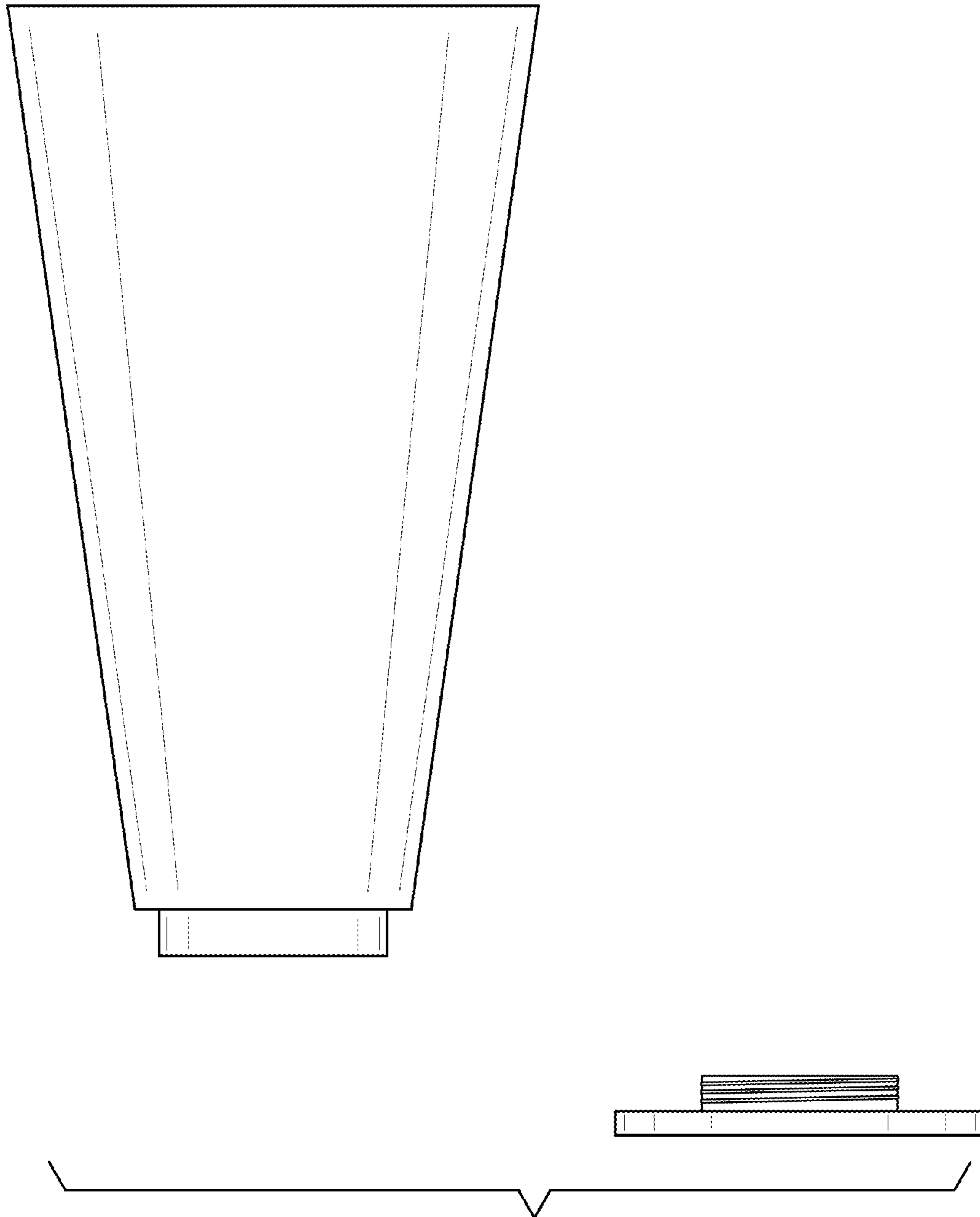


FIG. 3

FIG. 4

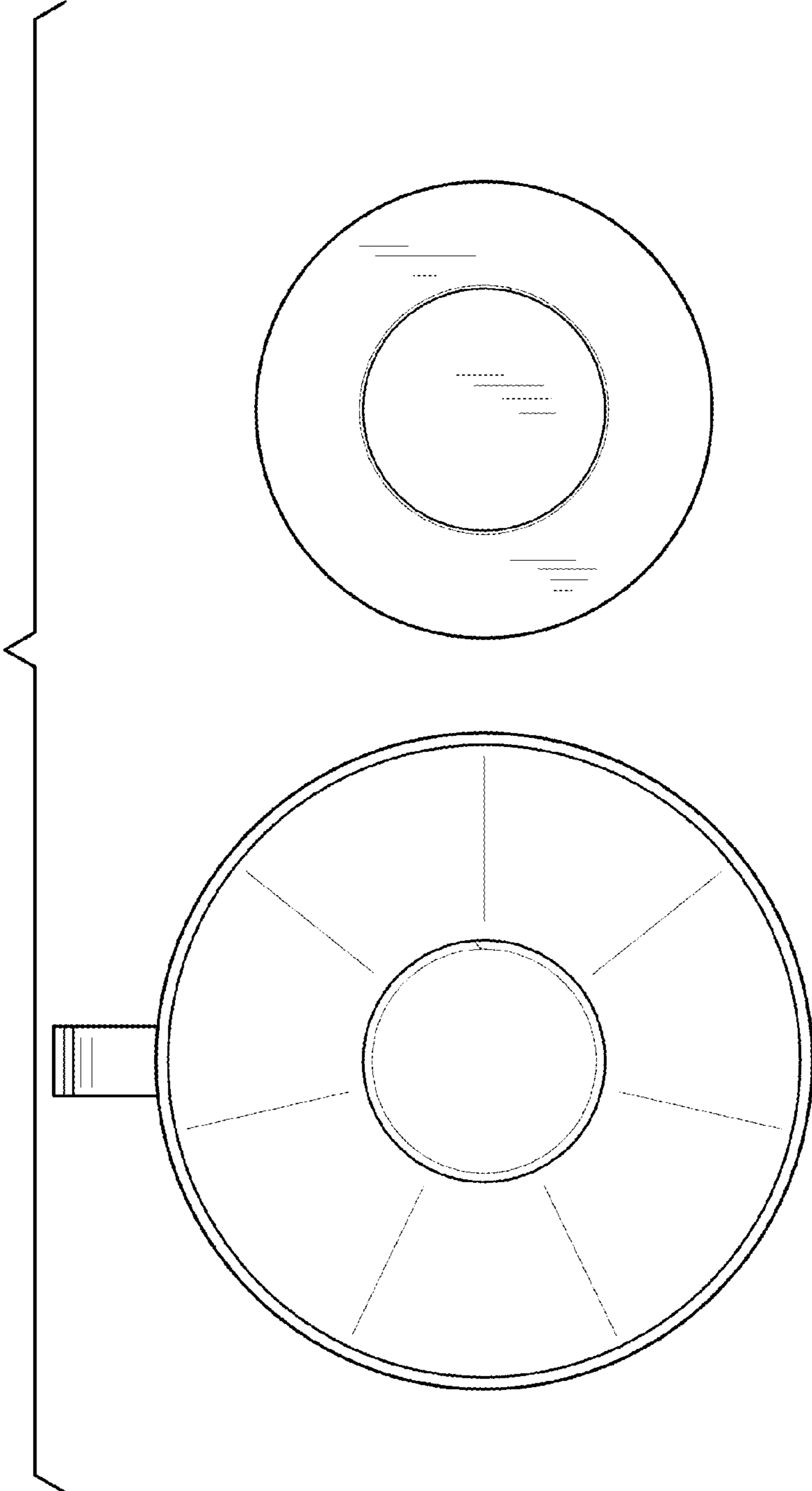


FIG. 5

