



US00D729005S

(12) **United States Design Patent**
Lee et al.

(10) **Patent No.:** **US D729,005 S**
(45) **Date of Patent:** **** May 12, 2015**

(54) **TEA INFUSER**

(71) Applicant: **Robinson Home Products Inc.**,
Williamsville, NY (US)

(72) Inventors: **Stuart Harvey Lee**, Forest Hills, NY
(US); **Inbal Zahava Aderka**, Brooklyn,
NY (US)

(73) Assignee: **Robinson Home Products Inc.**,
Williamsville, NY (US)

(**) Term: **14 Years**

(21) Appl. No.: **29/481,059**

(22) Filed: **Jan. 31, 2014**

(51) **LOC (10) Cl.** **07-99**

(52) **U.S. Cl.**
USPC **D7/400**; D7/399; D7/512

(58) **Field of Classification Search**
CPC A47J 31/005; A47J 31/06; A47J 31/00;
A47G 19/16; A47G 19/14; A23F 5/26;
A23F 3/18; B65D 51/18; B65D 81/34; B65B
29/02; B29C 51/10; B29C 51/32; B26F 1/02
USPC D7/399, 400, 401, 387, 700, 667, 669,
D7/668, 512, 619, 608, 392; D9/428, 440,
D9/424, 439; 99/323, 316, 317; 220/254.6;
426/435, 80, 77, 553; 210/464, 473,
210/482; 4/290

See application file for complete search history.

(56) **References Cited**

U.S. PATENT DOCUMENTS

2,257,944	A	*	10/1941	Fischbein	210/497.3
D226,531	S	*	3/1973	Beckman	D7/400
D279,379	S	*	6/1985	Uram	D15/138
5,424,083	A	*	6/1995	Lozito	426/82
D396,603	S	*	8/1998	Gasser	D7/400
D415,552	S	*	10/1999	Malorni	D23/200
D447,911	S	*	9/2001	Jørgensen	D7/400
D483,225	S	*	12/2003	Gain	D7/512

D563,161	S	*	3/2008	Bodum	D7/400
D565,350	S	*	4/2008	Gauger	D7/400
D567,020	S	*	4/2008	Bodum	D7/400
D569,176	S	*	5/2008	Bodum	D7/400
D593,383	S	*	6/2009	Pallotto et al.	D7/700
D608,161	S	*	1/2010	Olivari	D7/669

(Continued)

OTHER PUBLICATIONS

The Tea Spot, Inc, Tuffy Steeper, <http://theteaspot.com/tuffy-tea-steep-steepware.html>, viewed Mar. 4, 2014.

Primary Examiner — Marianne Pandozzi

Assistant Examiner — Jae Liang

(74) *Attorney, Agent, or Firm* — Florek & Endres PLLC

(57) **CLAIM**

We claim the ornamental design for a tea infuser, as shown and described.

DESCRIPTION

FIG. 1 is a perspective view of the tea infuser of the present invention.

FIG. 2 is a front elevation of the tea infuser of the present invention.

FIG. 3 is a rear elevation of the tea infuser of the present invention.

FIG. 4 is a right side elevation of the tea infuser of the present invention.

FIG. 5 is a left side elevation of the tea infuser of the present invention.

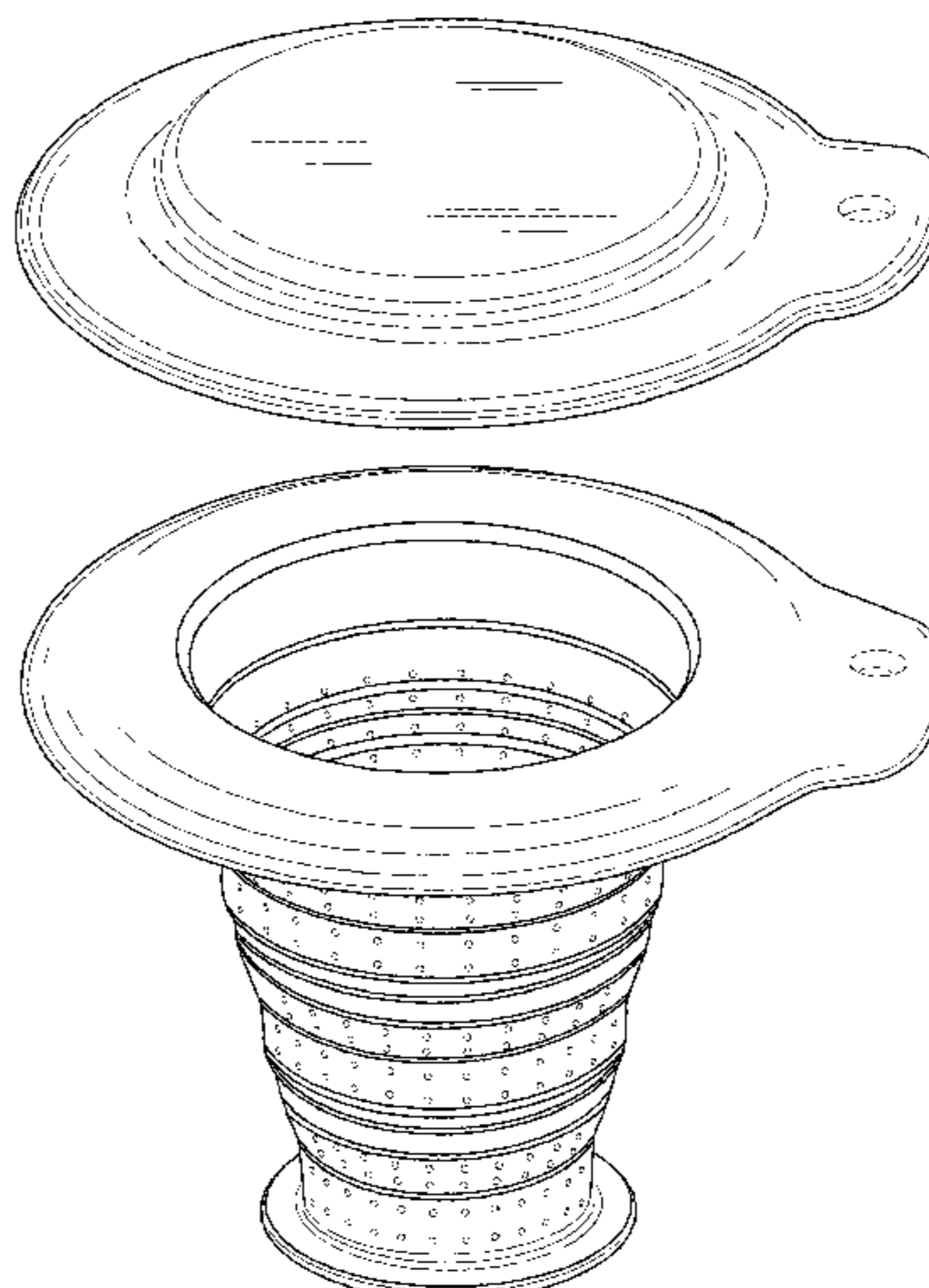
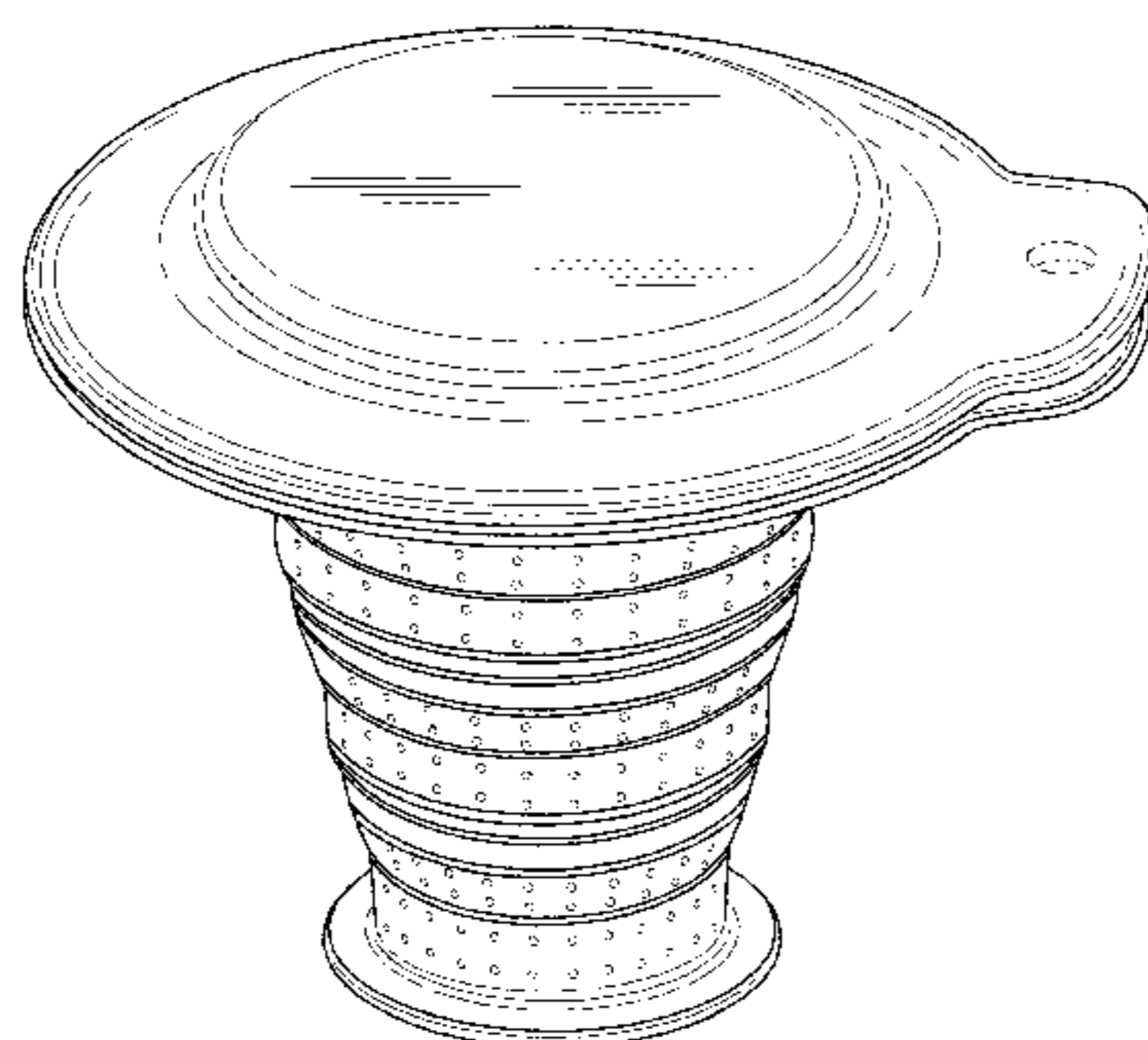
FIG. 6 is a top plan view of the tea infuser of the present invention.

FIG. 7 is a bottom plan view of the tea infuser of the present invention; and,

FIG. 8 is an exploded perspective view of the tea infuser of the present invention.

The broken line showing in the figure drawings are included for the purpose of illustration and form no part of the claimed design.

1 Claim, 8 Drawing Sheets



(56)

References Cited

U.S. PATENT DOCUMENTS

D635,398 S *	4/2011	Watabe	D7/400	D664,003 S *	7/2012	Nagoya	D7/512
D642,433 S *	8/2011	Tuan	D7/400	D669,750 S *	10/2012	Lee et al.	D7/700
D644,072 S *	8/2011	McDonald et al.	D7/667	D671,379 S *	11/2012	Lion et al.	D7/700
D652,745 S *	1/2012	Lee et al.	D10/46.2	D675,482 S *	2/2013	Heggestad et al.	D7/512
D656,800 S *	4/2012	Lee et al.	D7/667	D688,924 S *	9/2013	Enghard	D7/700
D660,661 S *	5/2012	Lee et al.	D7/667	8,808,778 B2 *	8/2014	Dakis	426/431
D661,955 S *	6/2012	Lee et al.	D7/667	D712,209 S *	9/2014	Hager et al.	D7/700
D662,794 S *	7/2012	Enghard	D7/700	D718,579 S *	12/2014	Lee et al.	D7/667
				D718,580 S *	12/2014	Lee et al.	D7/667
				2014/0246360 A1 *	9/2014	Lee et al.	209/233
				2014/0352127 A1 *	12/2014	Dakis	29/428

* cited by examiner

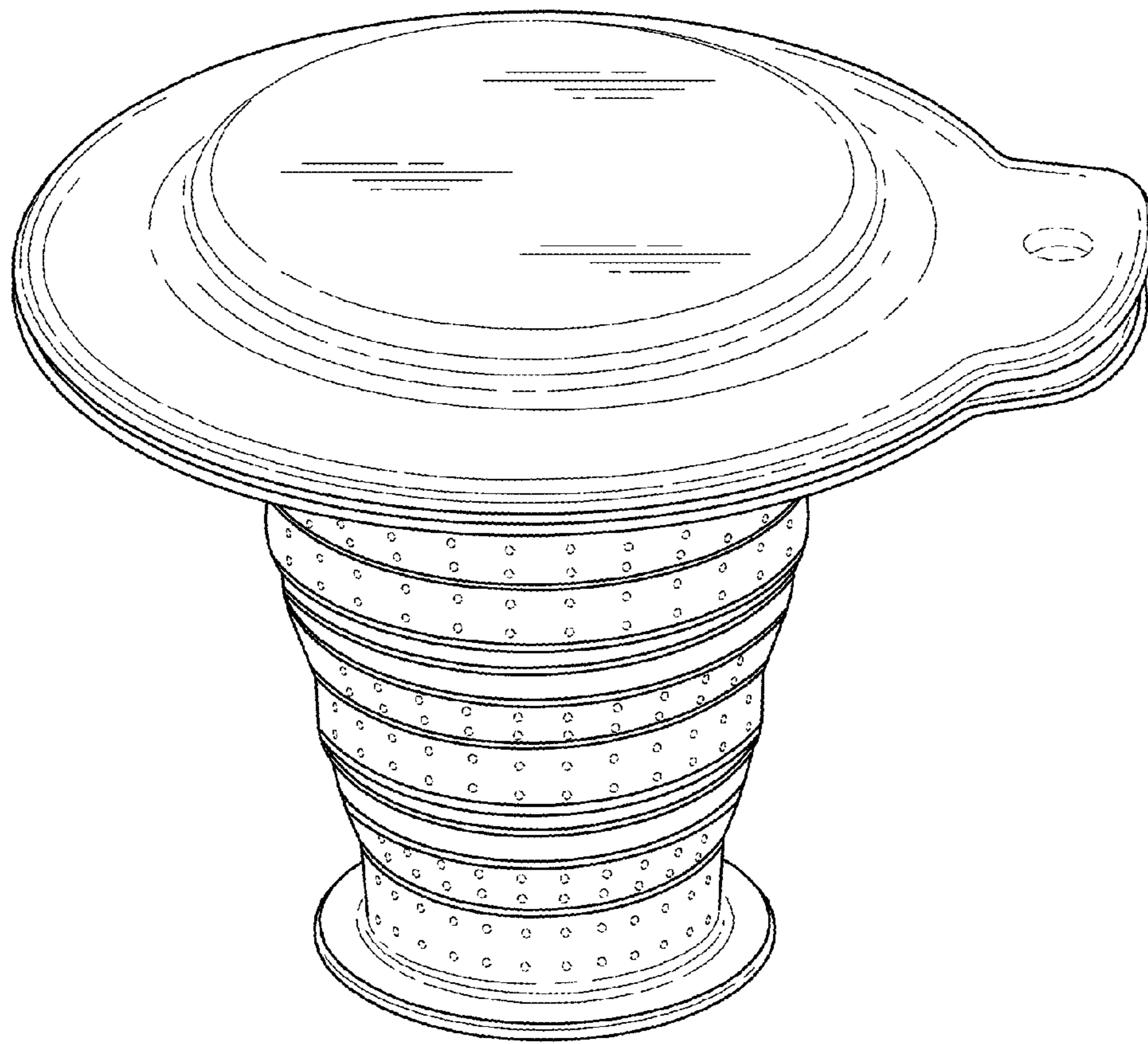


FIG. 1

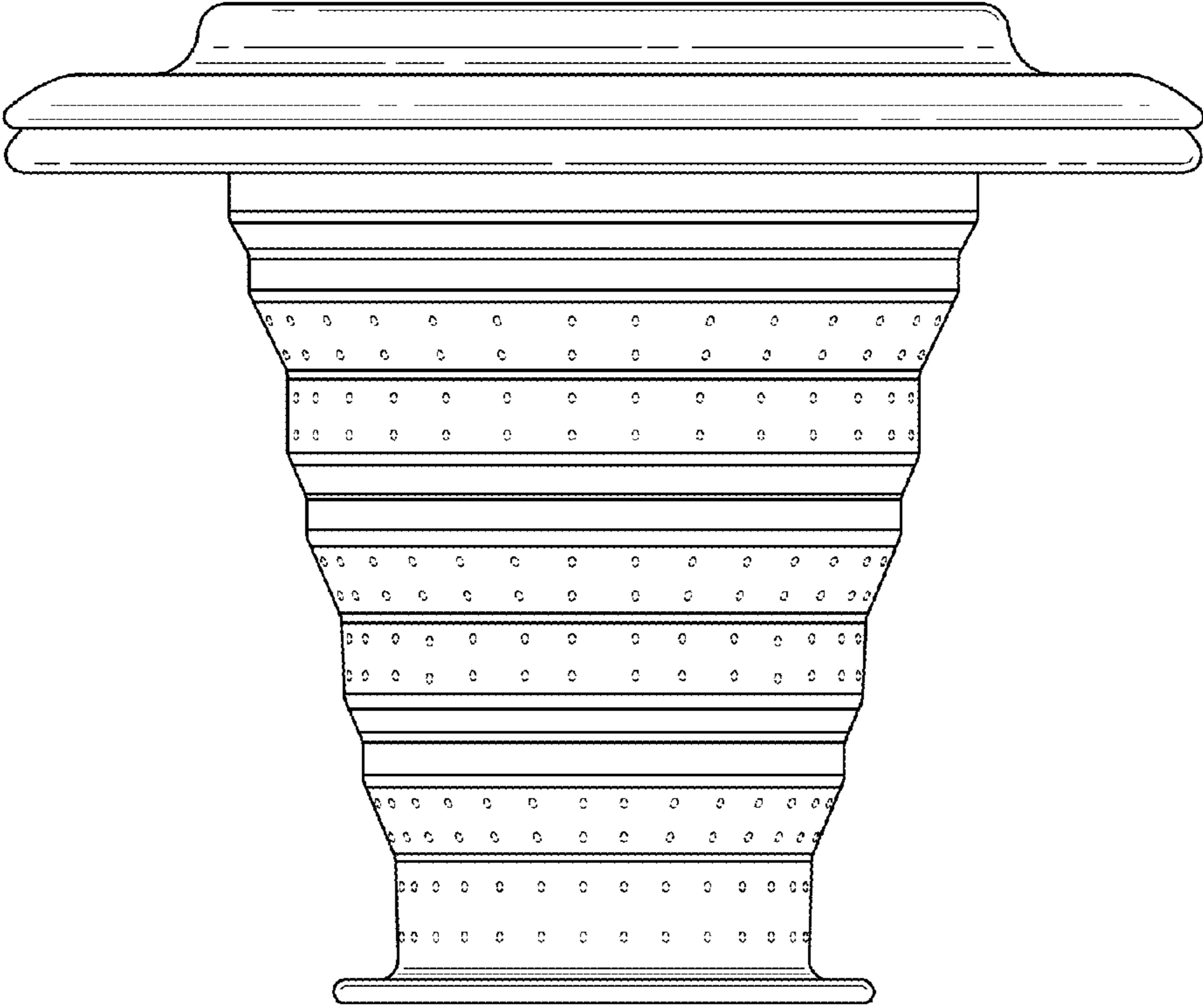


FIG. 2

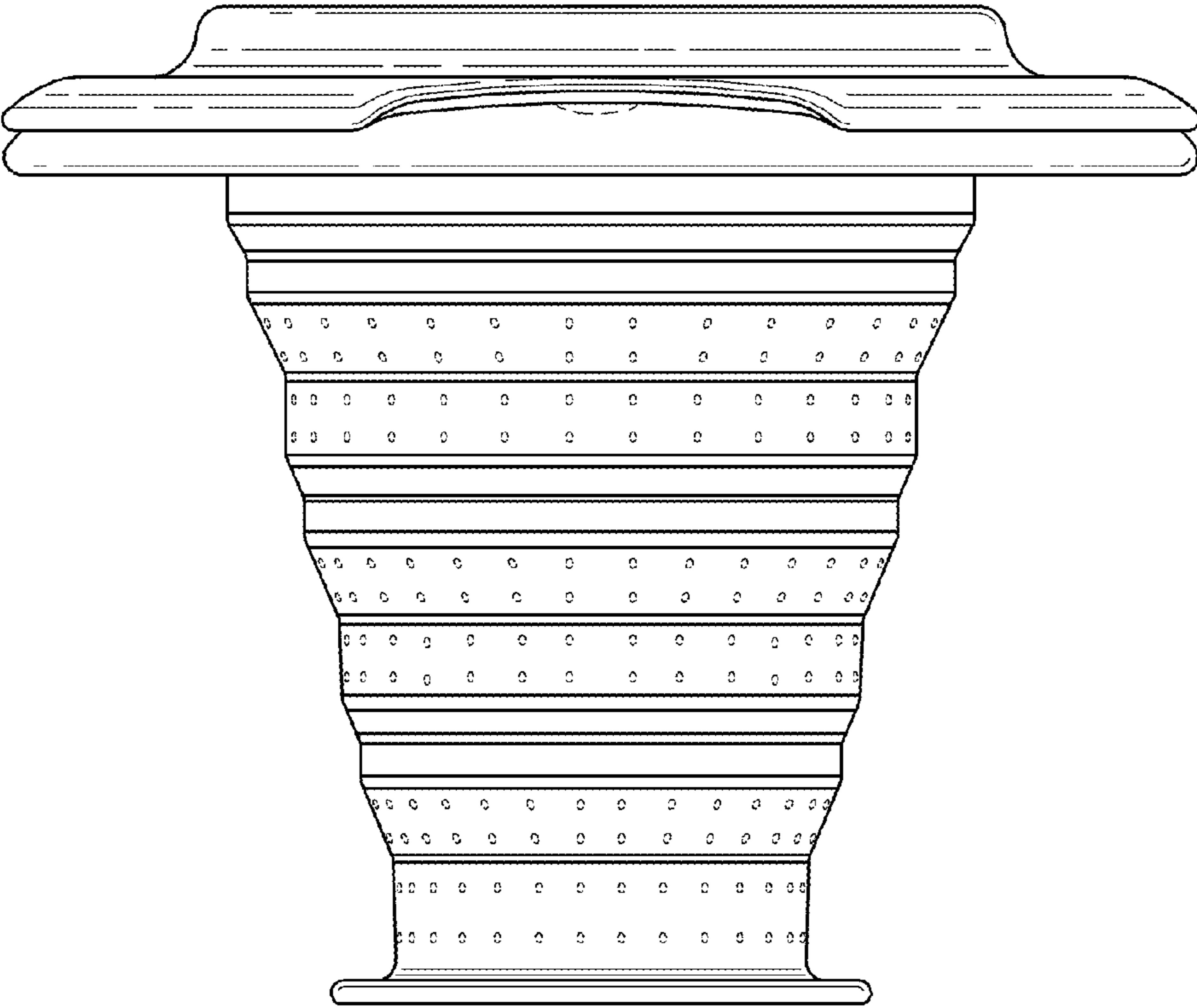


FIG. 3

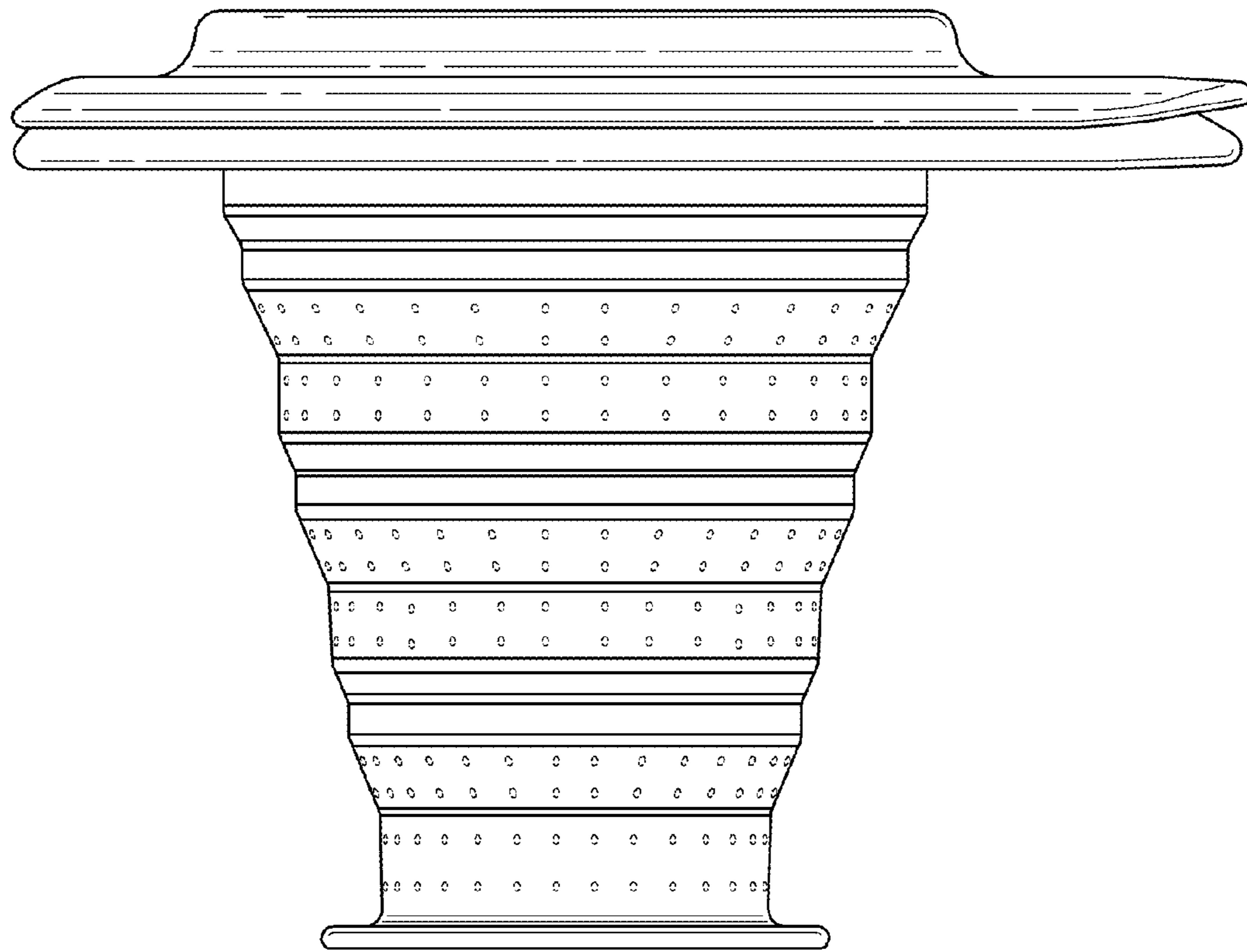


FIG. 4

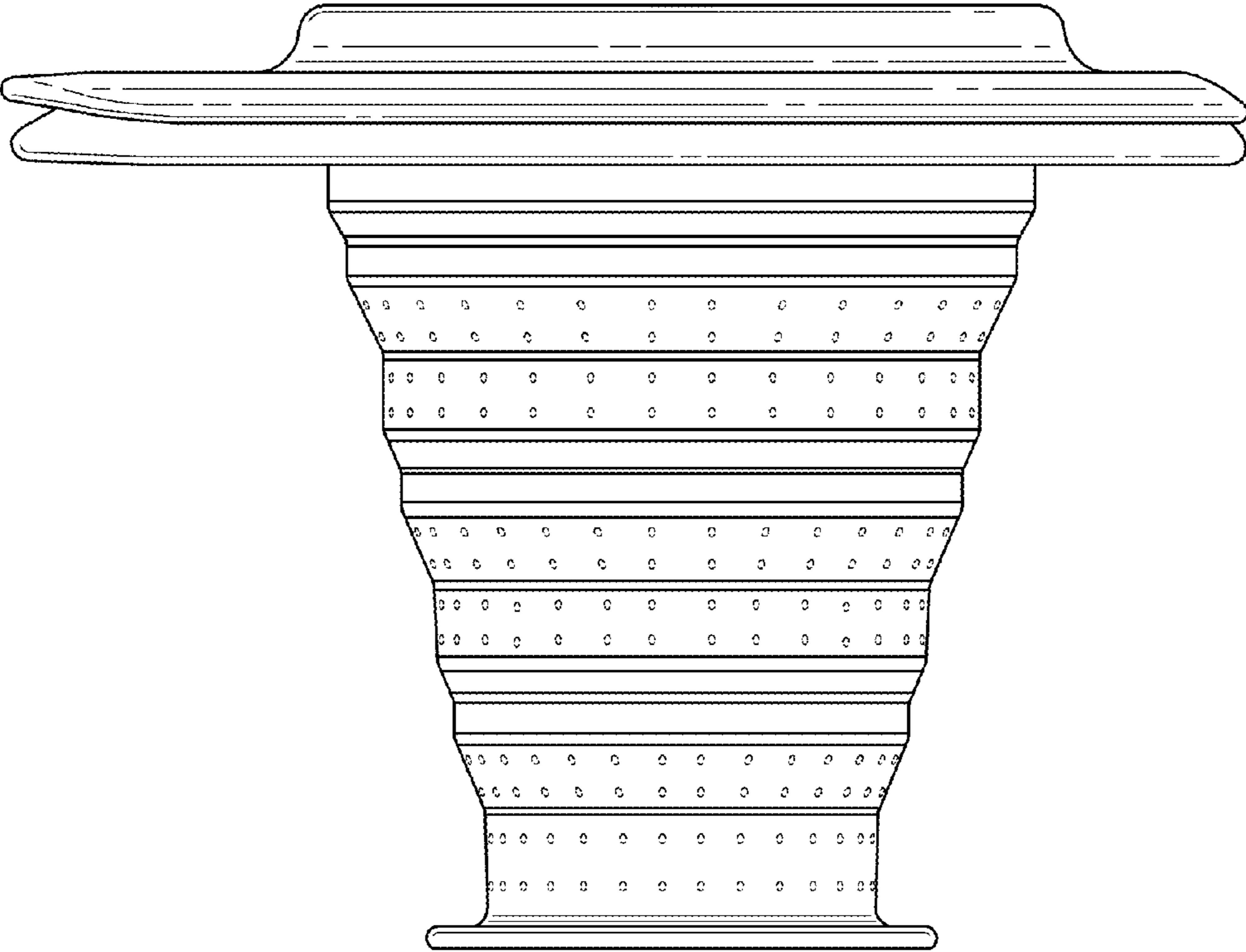


FIG. 5

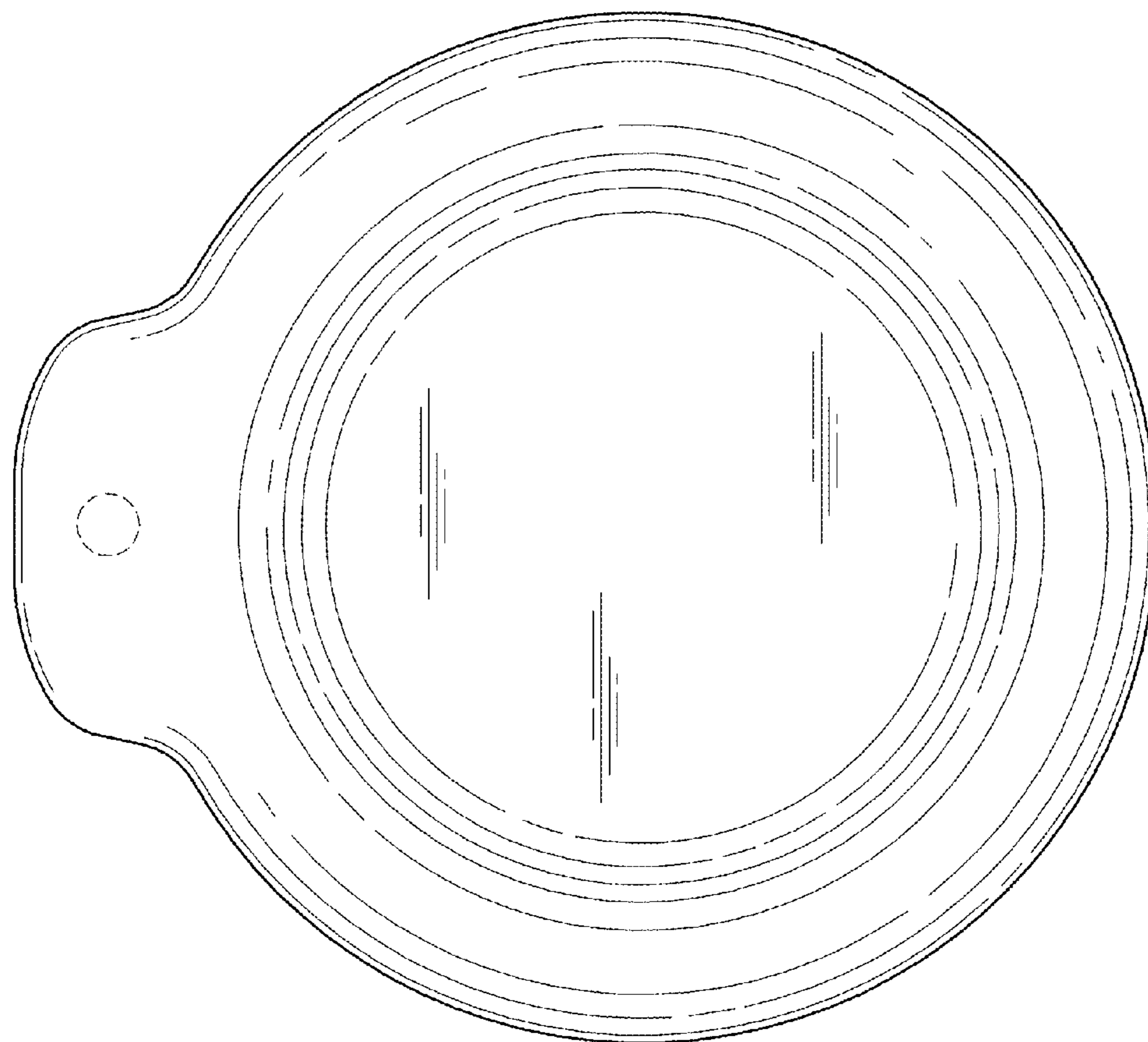


FIG. 6

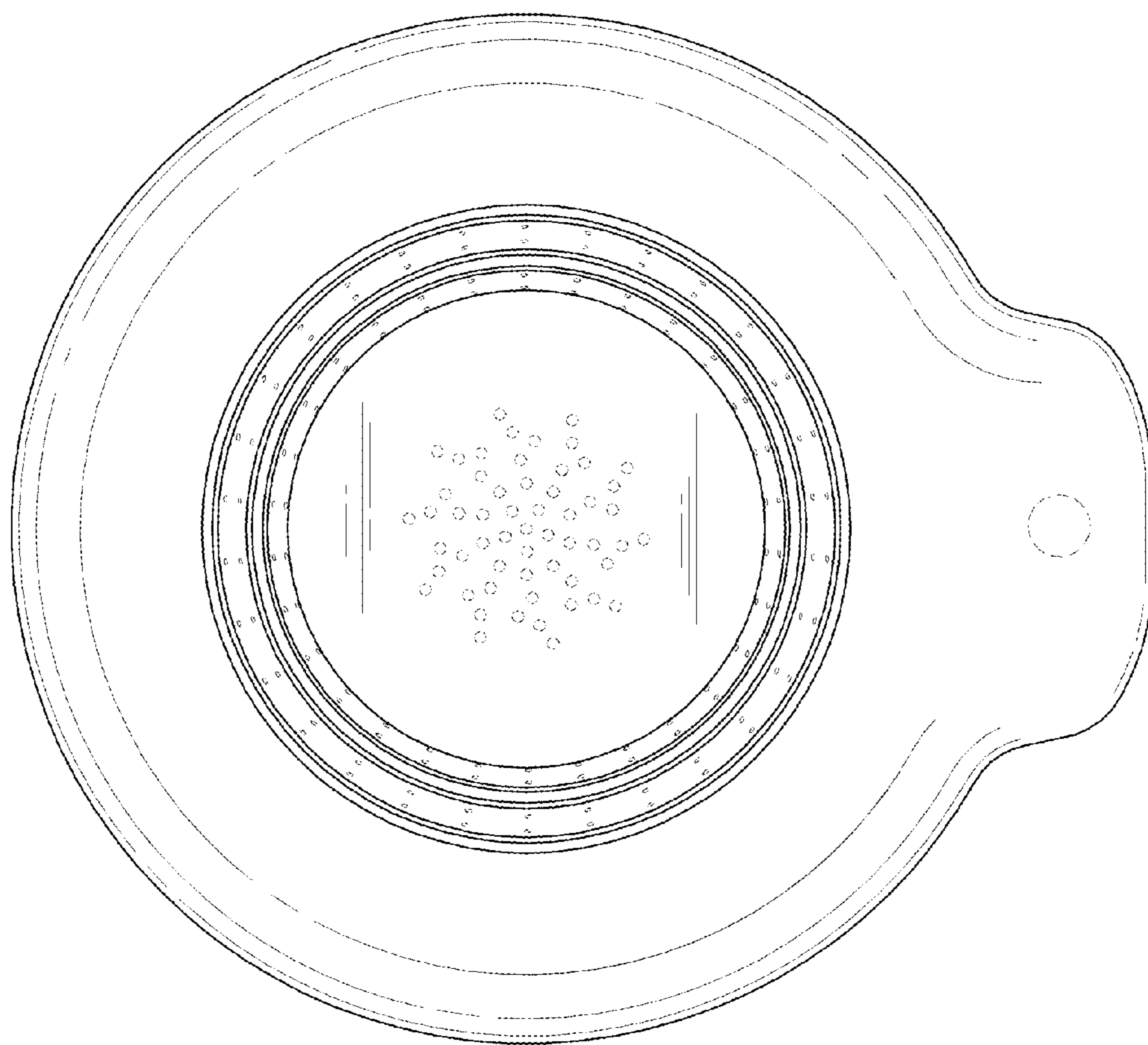


FIG. 7

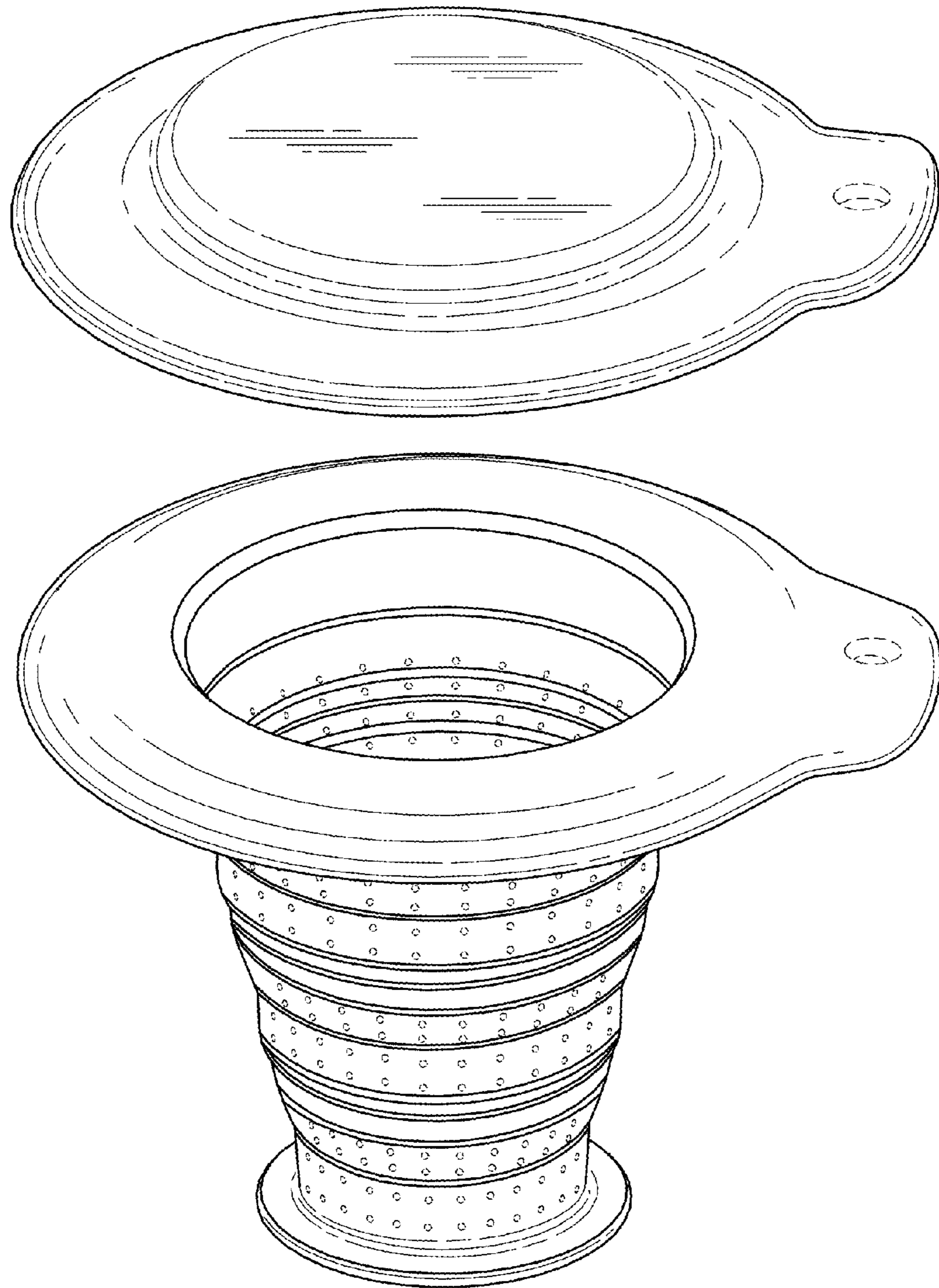


FIG. 8