



US00D729004S

(12) **United States Design Patent**
Deuber et al.

(10) **Patent No.:** **US D729,004 S**

(45) **Date of Patent:** **** *May 12, 2015**

(54) **CARTRIDGE FOR A COFFEE MACHINE**

(56) **References Cited**

(71) Applicant: **Luna Technology Systems LTS GmbH,**
Wallisellen (CH)

U.S. PATENT DOCUMENTS

(72) Inventors: **Louis Deuber,** Richterswil (CH);
Rudiger Ternite, Hamburg (DE)

2,695,645	A *	11/1954	Tupper	220/797
D258,097	S *	2/1981	Wistrand	D3/203.1
D279,251	S *	6/1985	Daenen et al.	D7/629
D367,403	S *	2/1996	Rivlin et al.	D7/602
D479,127	S *	9/2003	Jowett	D9/425
7,051,550	B2 *	5/2006	Roth et al.	62/457.2
D557,601	S *	12/2007	Minidis et al.	D9/425
D578,830	S *	10/2008	Freeman	D7/586
D585,734	S *	2/2009	Doliwa	D9/425
D600,966	S *	9/2009	Weng et al.	D6/632

(73) Assignee: **Luna Technology Systems LTS GmbH,**
Wallisellen (CH)

(*) Notice: This patent is subject to a terminal disclaimer.

(Continued)

(**) Term: **14 Years**

Primary Examiner — Marianne Pandozzi

Assistant Examiner — Jae Liang

(21) Appl. No.: **29/476,651**

(74) *Attorney, Agent, or Firm* — Rankin, Hill & Clark LLP

(22) Filed: **Dec. 16, 2013**

(30) **Foreign Application Priority Data**

(57) **CLAIM**

We claim the ornamental design for a cartridge for a coffee machine, as shown and described.

Sep. 12, 2013 (WO) DM/081 819

(51) **LOC (10) Cl.** **07-99**

(52) **U.S. Cl.**
USPC **D7/400; D7/538; D7/540; D7/601;**
D9/424

DESCRIPTION

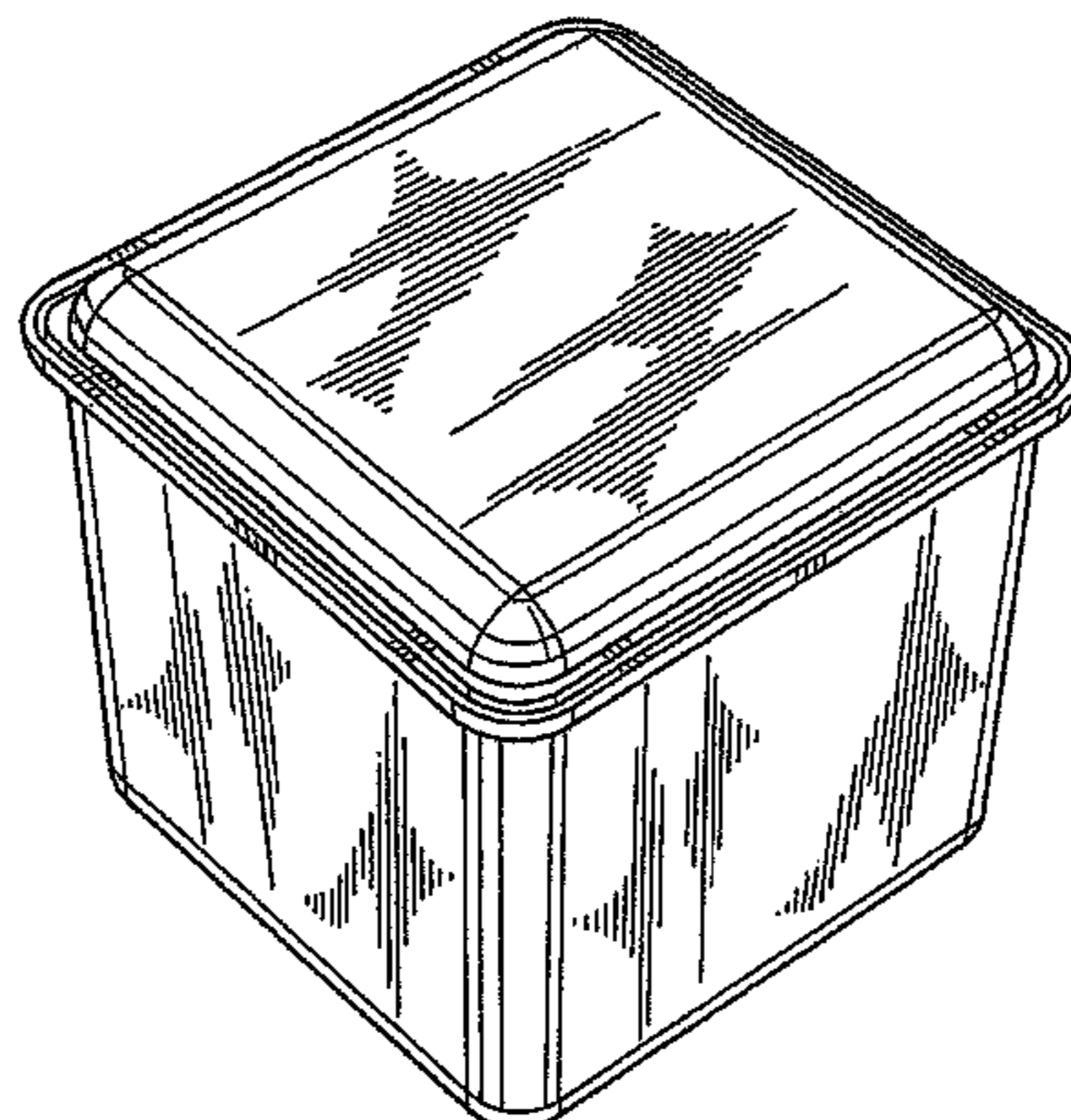
(58) **Field of Classification Search**

CPC . A47J 27/21166; A47J 31/06; A47J 31/0605;
A47J 31/061; A47J 31/0626; A47J 31/0684;
A47J 31/08; A47J 31/10; A47G 7/00; A47G
7/04; A47G 19/2283; A47G 19/14
USPC D7/213, 400-410, 412, 417, 354, 359,
D7/387, 388, 391, 399, 600.1, 600.2,
D7/600.3, 600.4, 602, 603-606, 609, 610,
D7/612, 614, 619.1, 629, 665, 667, 553.2,
D7/555, 538, 540; D9/349, 366, 351, 529,
D9/153, 453, 734, 424, 425, 432; D5/1, 2;
D11/155, 164; 99/289 R, 323, 285;
73/426, 427; D10/46.1, 46.2; 210/474;
220/781

FIG. 1 is a top perspective view of a cartridge for a coffee machine;
FIG. 2 is a bottom perspective view of the cartridge for the coffee machine shown in FIG. 1;
FIG. 3 is a front view of the cartridge for the coffee machine shown in FIG. 1;
FIG. 4 is a rear view of the cartridge for the coffee machine shown in FIG. 1;
FIG. 5 is a right side view of the cartridge for the coffee machine shown in FIG. 1;
FIG. 6 is a left side view of the cartridge for the coffee machine shown in FIG. 1.
FIG. 7 is a top view of the cartridge for the coffee machine shown in FIG. 1; and,
FIG. 8 is a bottom view of the cartridge for the coffee machine shown in FIG. 1.

See application file for complete search history.

1 Claim, 4 Drawing Sheets



US D729,004 S

Page 2

(56)

References Cited

U.S. PATENT DOCUMENTS

D698,869 S *	2/2014	Strzelewicz et al.	D21/499	
D708,913 S *	7/2014	Ng	D7/629	
2012/0090475 A1 *	4/2012	Deuber	99/295	
D646,119 S *	10/2011	Deuber	D7/400	
D655,576 S *	3/2012	Samartgis	D7/602	* cited by examiner

FIG. 1

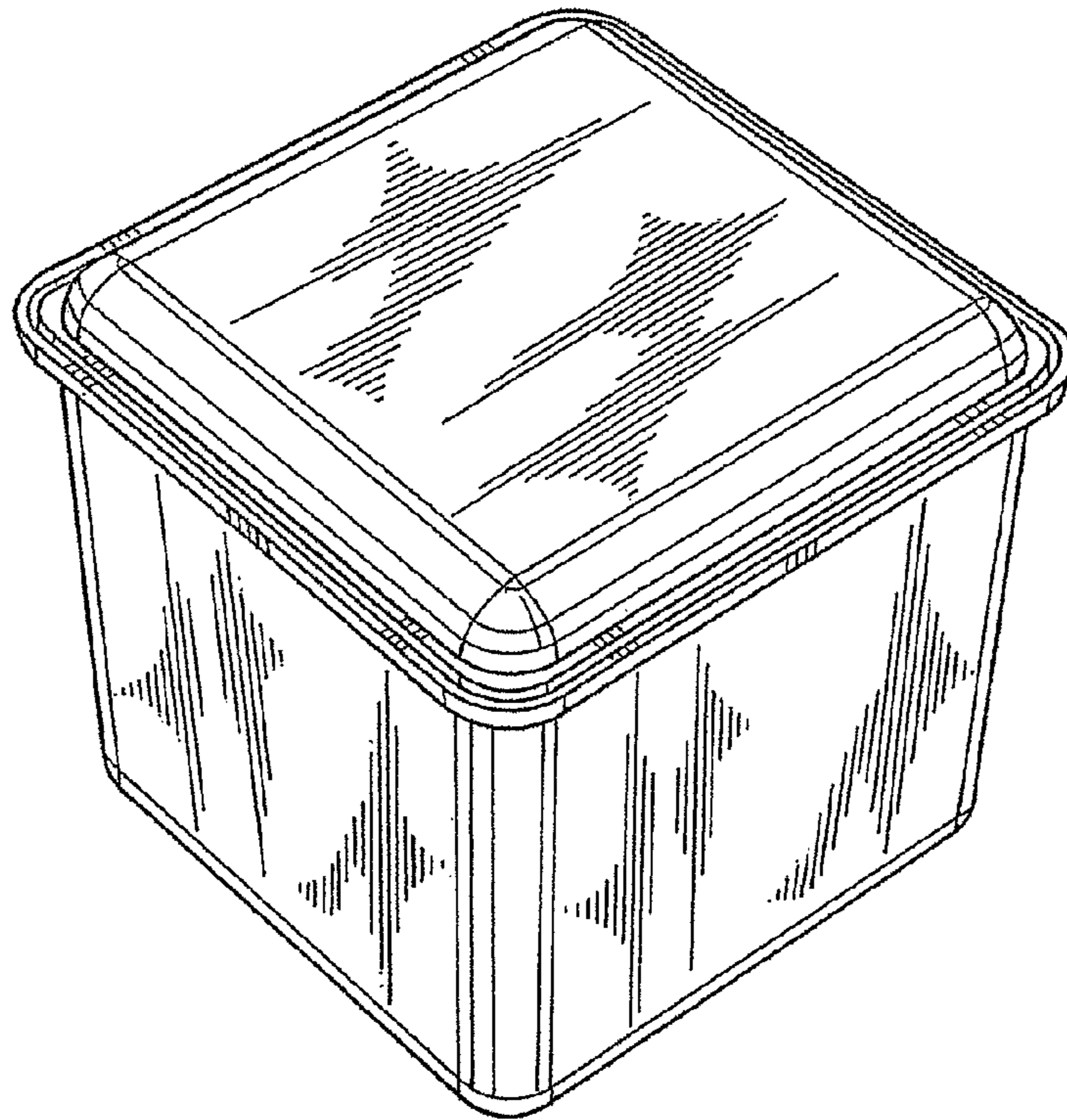


FIG. 2

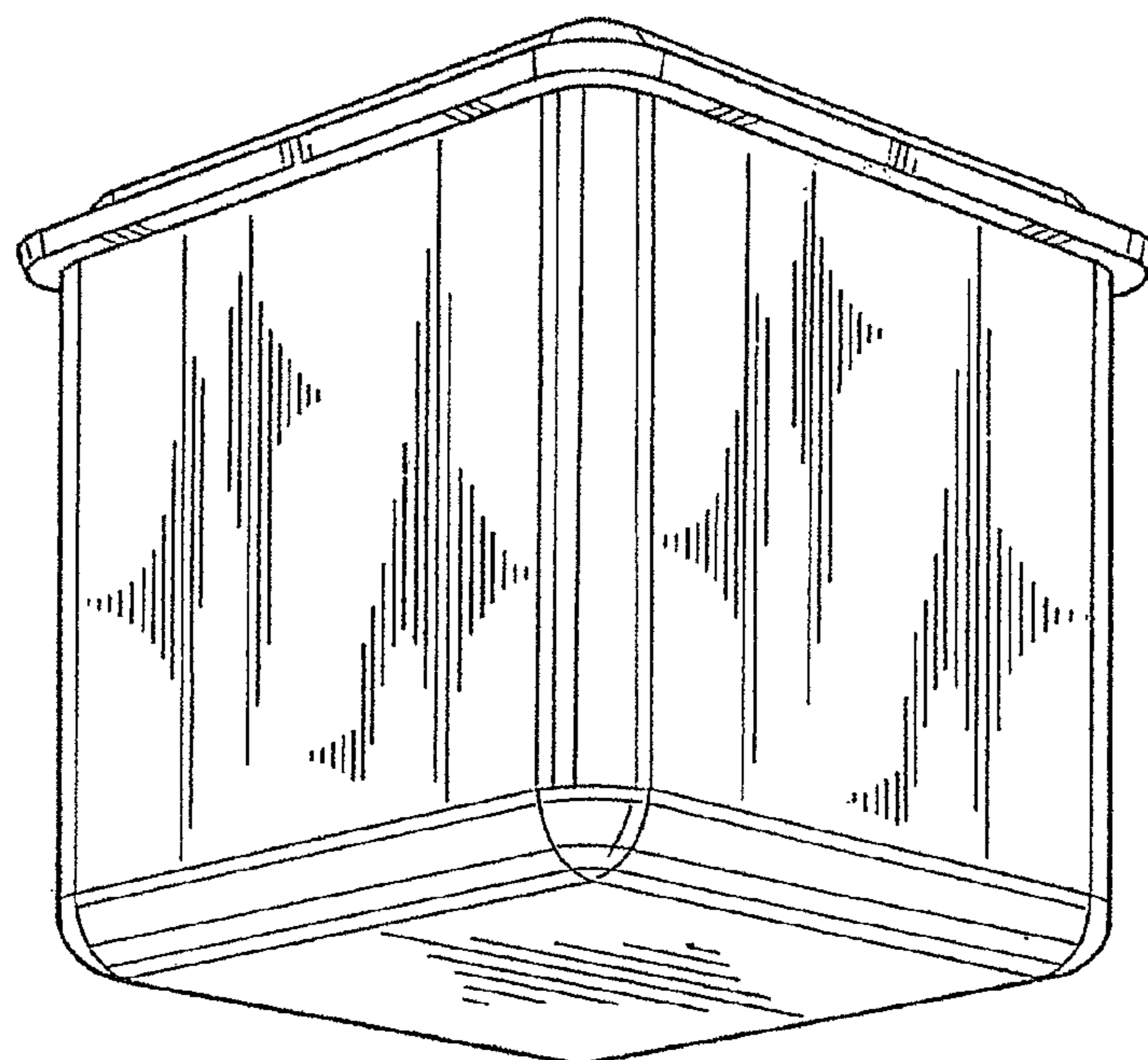


FIG. 3

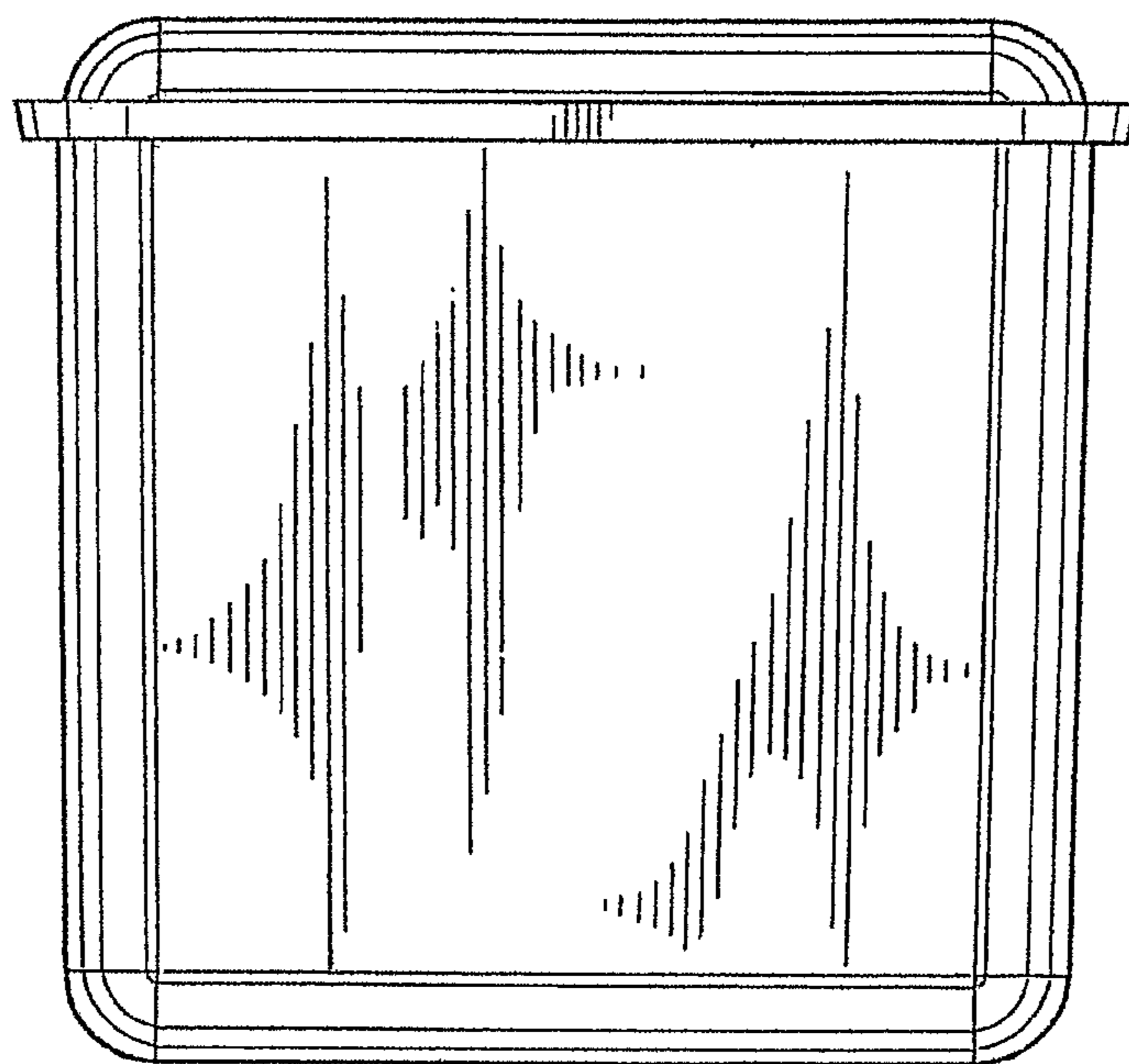


FIG. 4

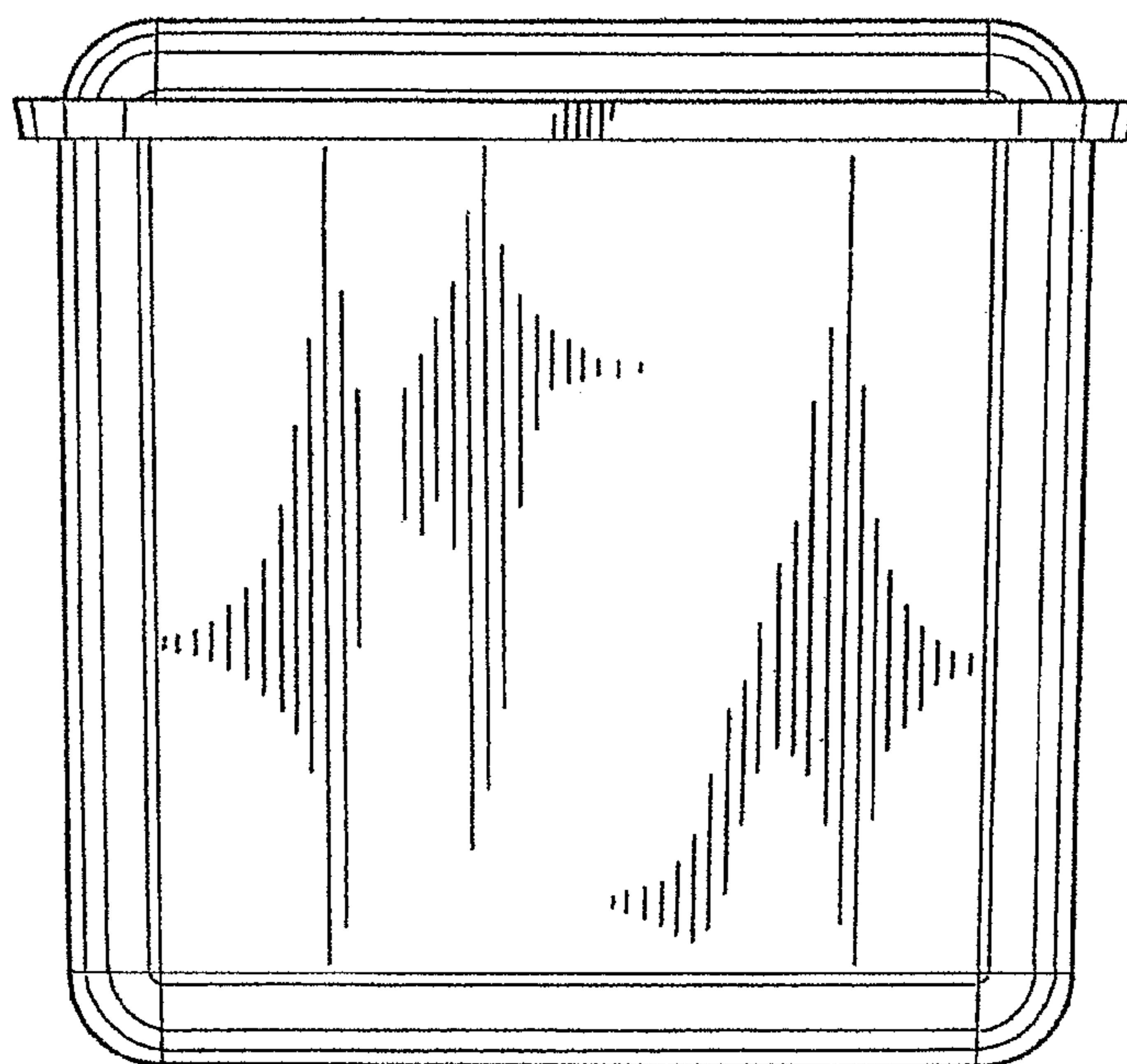


FIG. 5

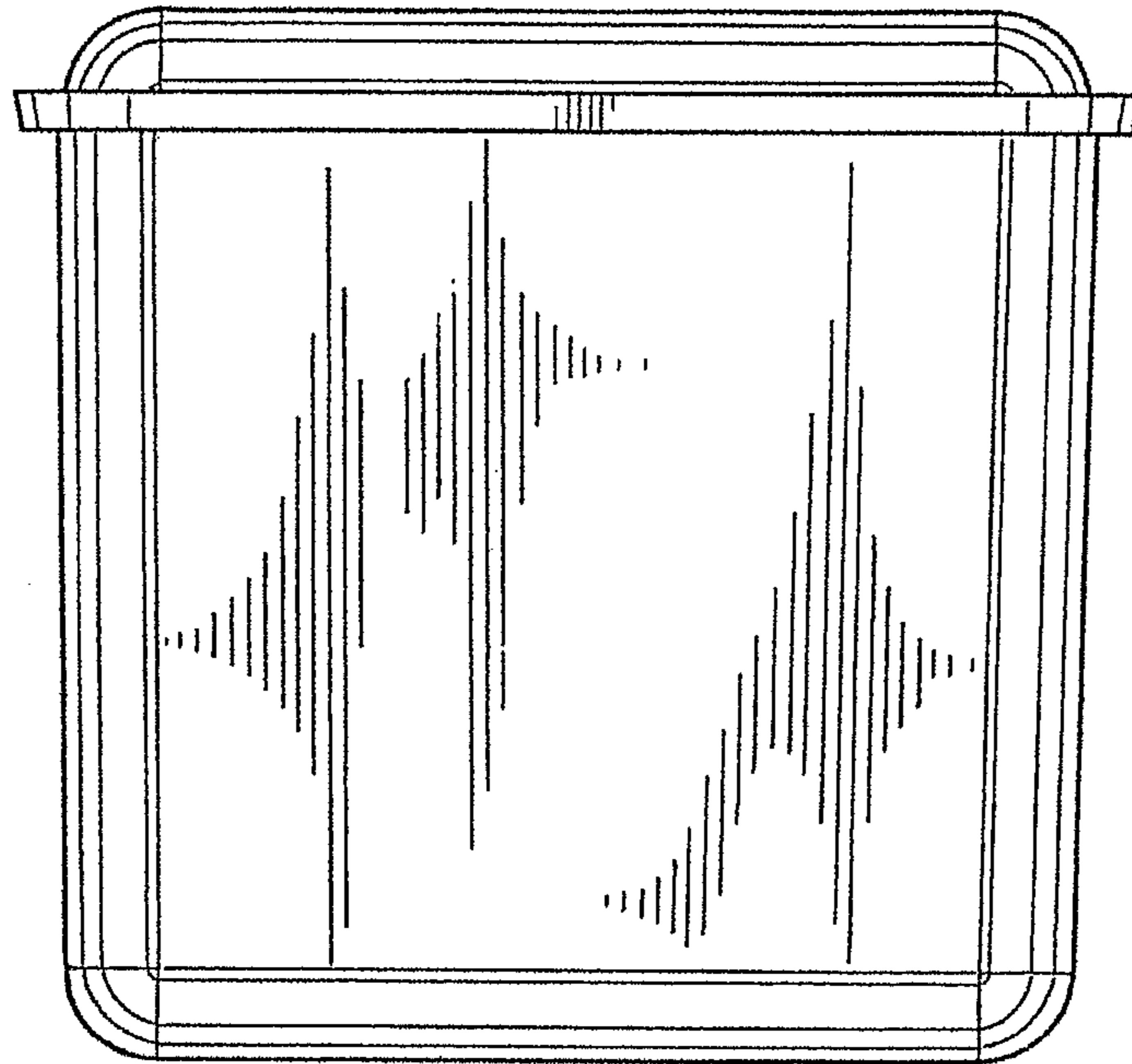


FIG. 6

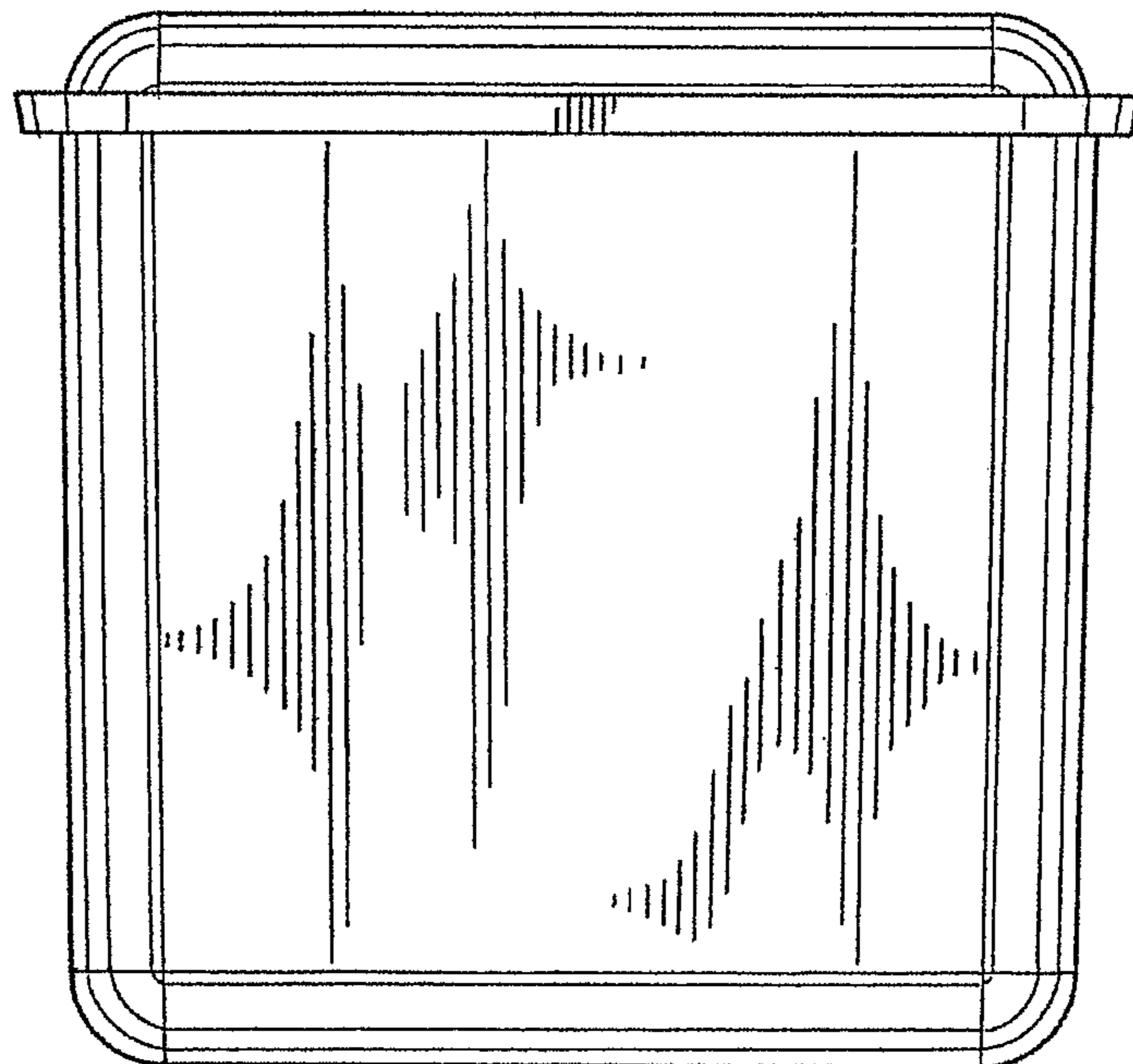


FIG. 7

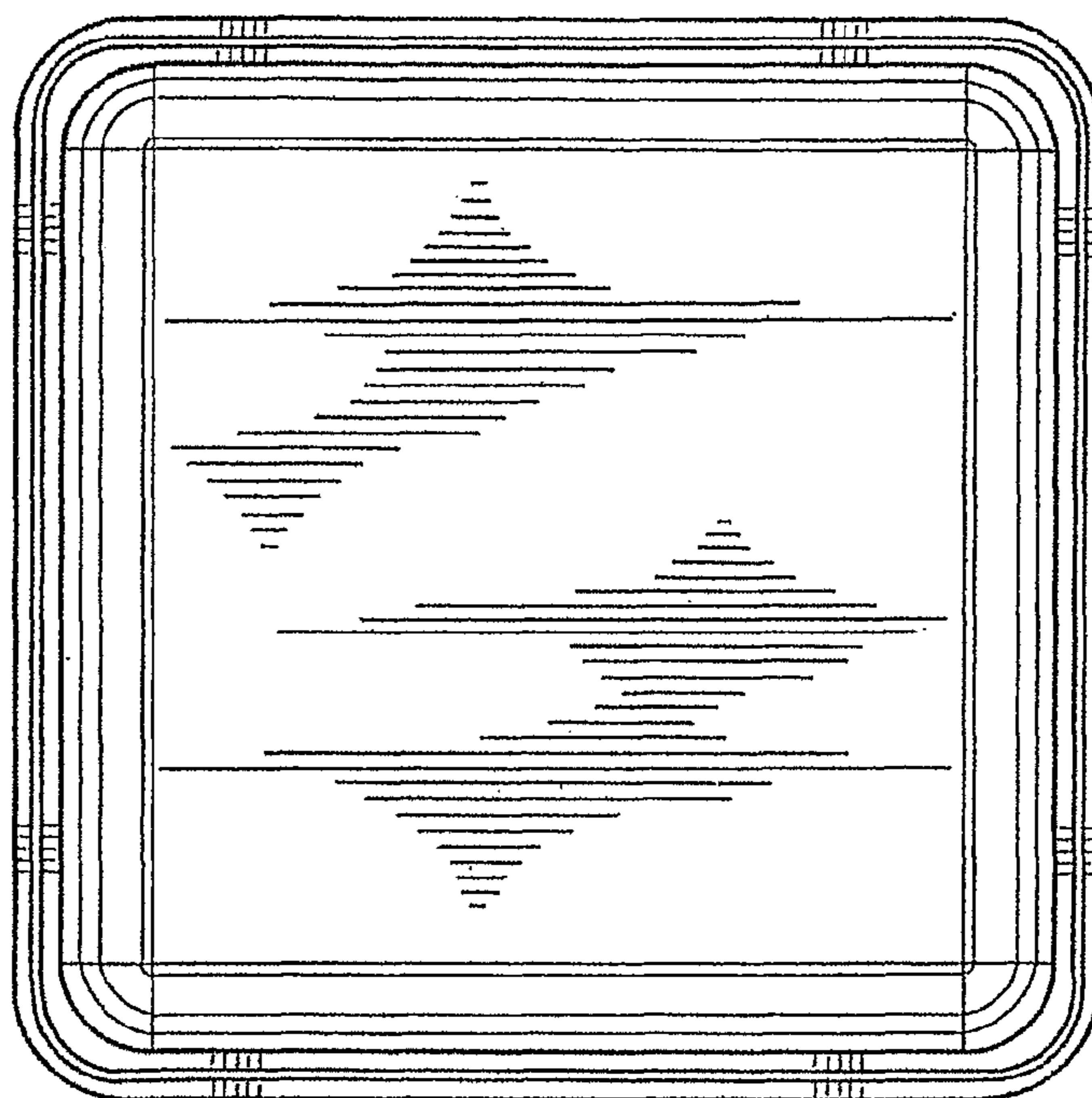


FIG. 8

