



US00D729003S

(12) **United States Design Patent**
Manly et al.

(10) **Patent No.:** **US D729,003 S**
(45) **Date of Patent:** **** May 12, 2015**

- (54) **BEVERAGE CARAFE**
- (71) Applicant: **Green Mountain Coffee Roasters, Inc.**,
Waterbury, VT (US)
- (72) Inventors: **David Manly**, Duxbury, MA (US);
Karen Gallagher, Andover, MA (US);
Scott M. Vogel, Salem, MA (US); **Jaime Zuri**,
Essex Junction, MA (US); **James E. Shepard**,
Marblehead, MA (US); **Gregory Hurley**,
Dracut, MA (US); **Da Deng**, Somerville, MA (US);
Steffen F. Koury, Everett, MA (US); **Paul K. Metaxatos**,
Swampscott, MA (US); **Ian Tinkler**, Wakefield, MA (US)

D245,058	S	*	7/1977	Hauenstein	D7/318
D257,938	S	*	1/1981	Danley et al.	D7/402
4,308,445	A	*	12/1981	Offutt	219/755
4,330,696	A	*	5/1982	Pomeroy et al.	219/755
D354,879	S	*	1/1995	Ullmann	D7/317
D369,714	S	*	5/1996	Huang	D7/319
D411,404	S	*	6/1999	Littmann	D7/319
D413,222	S	*	8/1999	Applegate et al.	D7/319
D419,028	S	*	1/2000	Mork et al.	D7/321
D421,871	S	*	3/2000	Klosinski et al.	D7/309
D422,831	S	*	4/2000	Lucas et al.	D7/319
6,050,175	A		4/2000	Mirand et al.		
D438,749	S	*	3/2001	Joergensen	D7/309
D442,014	S	*	5/2001	Haring et al.	D7/319
6,561,390	B2	*	5/2003	Boyte et al.	222/475.1
D479,087	S	*	9/2003	Yao	D7/309
D479,091	S	*	9/2003	Glucksman et al.	D7/319
D480,254	S	*	10/2003	Hirose	D7/318

(Continued)

- (73) Assignee: **Keurig Green Mountain, Inc.**,
Waterbury, VT (US)

Primary Examiner — Marianne Pandozzi

Assistant Examiner — Jae Liang

- (**) Term: **14 Years**

(74) *Attorney, Agent, or Firm* — Wolf, Greenfield & Sacks, P.C.

- (21) Appl. No.: **29/479,693**

(57) **CLAIM**

The ornamental design for a beverage carafe, as shown and described.

- (22) Filed: **Jan. 17, 2014**

DESCRIPTION

- (51) **LOC (10) Cl.** **07-01**

- (52) **U.S. Cl.**

USPC **D7/399**; D7/319; D7/397

- (58) **Field of Classification Search**

CPC A47J 27/21; A47J 27/06; A47J 27/21008;
A47J 27/21041

USPC D7/310, 311, 312, 313, 314, 315, 316,
D7/317, 318, 319, 320, 321, 322, 392, 397,
D7/600, 598, 402, 403, 401.1, 404, 399;
D23/207; 210/85, 232; 220/528, 529,
220/532, 533, 552

See application file for complete search history.

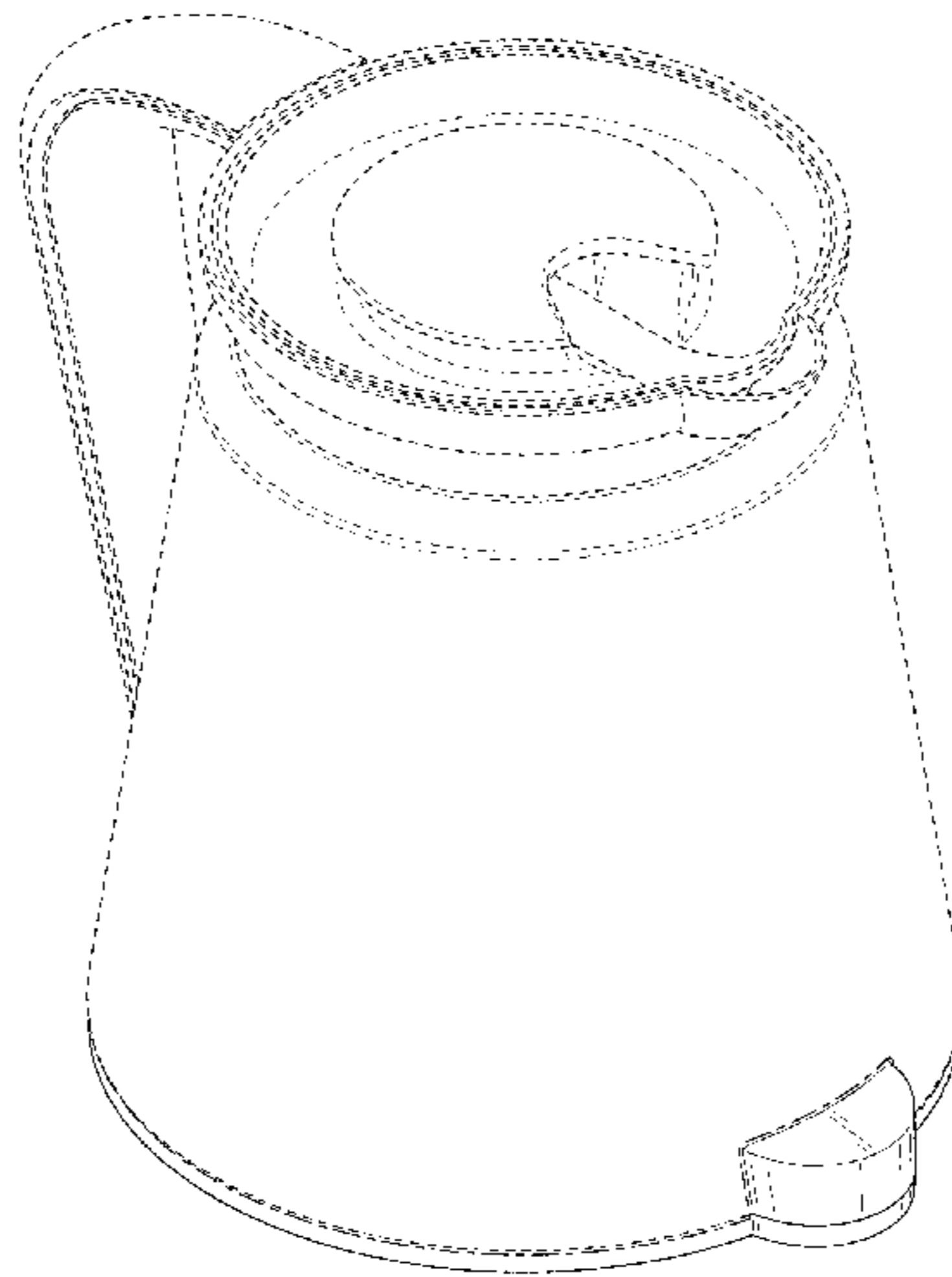
FIG. 1 is a top, front, left perspective view of a beverage carafe showing our new design;
 FIG. 2 is a front elevational view thereof;
 FIG. 3 is a rear elevational view thereof;
 FIG. 4 is a left side elevational view thereof;
 FIG. 5 is a right side elevational view thereof;
 FIG. 6 is a top plan view thereof;
 FIG. 7 is a bottom plan view thereof; and,
 FIG. 8 is a top, rear, right perspective view thereof.
 Features shown in dashed broken lines form no part of the claimed invention. The dash-dot-dash broken lines shown in FIGS. 1-8 define boundaries of the claimed design and form no part of the claimed design.

- (56) **References Cited**

U.S. PATENT DOCUMENTS

1,143,484 A * 6/1915 Beach 220/759
3,311,399 A * 3/1967 Holton 294/31.2

1 Claim, 8 Drawing Sheets



(56)

References Cited

U.S. PATENT DOCUMENTS

D482,934 S *	12/2003	Liu	D7/602	D655,563 S *	3/2012	Kern et al.	D7/319
D491,417 S *	6/2004	Bodum	D7/505	D668,095 S *	10/2012	Green et al.	D7/319
D511,432 S *	11/2005	Babkes	D7/319	D669,307 S *	10/2012	Makhanlall et al.	D7/397
D512,597 S *	12/2005	Bjørn	D7/318	D683,584 S *	6/2013	Gross et al.	D7/397
D515,349 S *	2/2006	Gillisie	D7/319	D685,219 S *	7/2013	Ciampa	D7/319
D541,099 S *	4/2007	Lebowitz	D7/319	D686,034 S *	7/2013	Bodum	D7/318
D598,715 S *	8/2009	Foss	D7/602	8,671,826 B2	3/2014	Smit		
D643,242 S *	8/2011	Butler	D7/319	D714,586 S *	10/2014	Grasselli et al.	D7/399
					2009/0090246 A1 *	4/2009	Spencer	99/290
					2009/0308878 A1 *	12/2009	Rosskelly	220/592.16

* cited by examiner

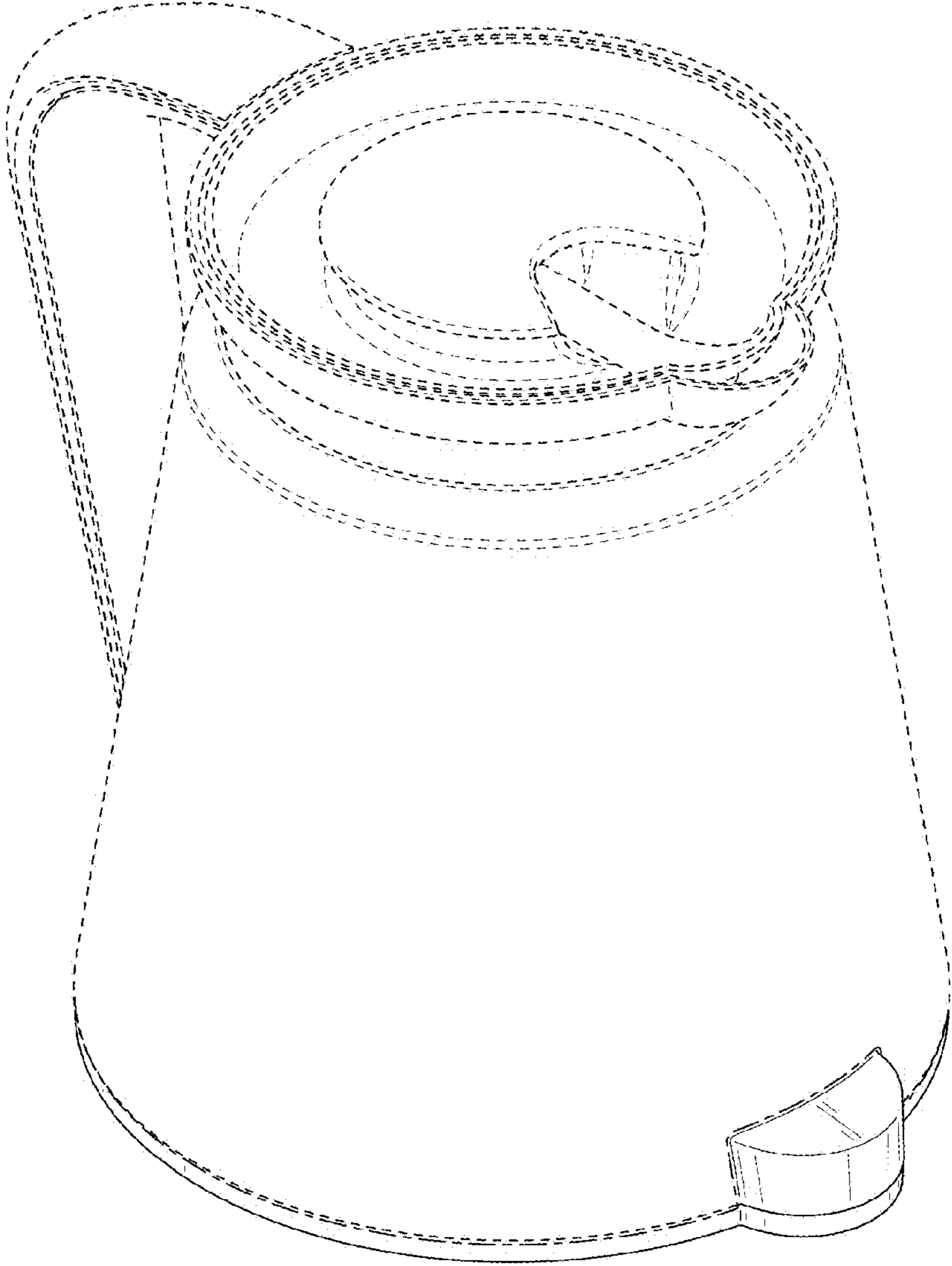


FIG. 1

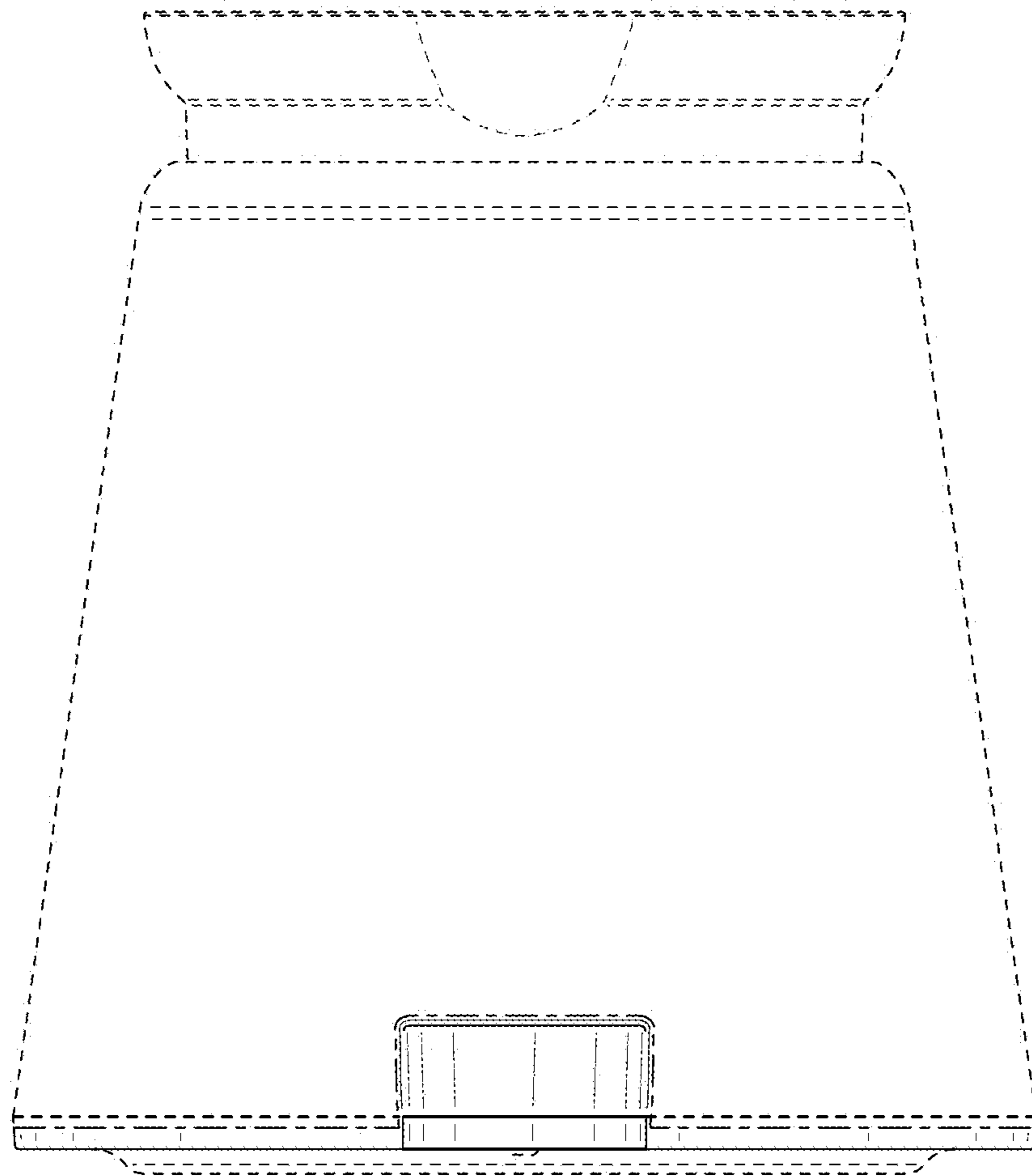


FIG. 2

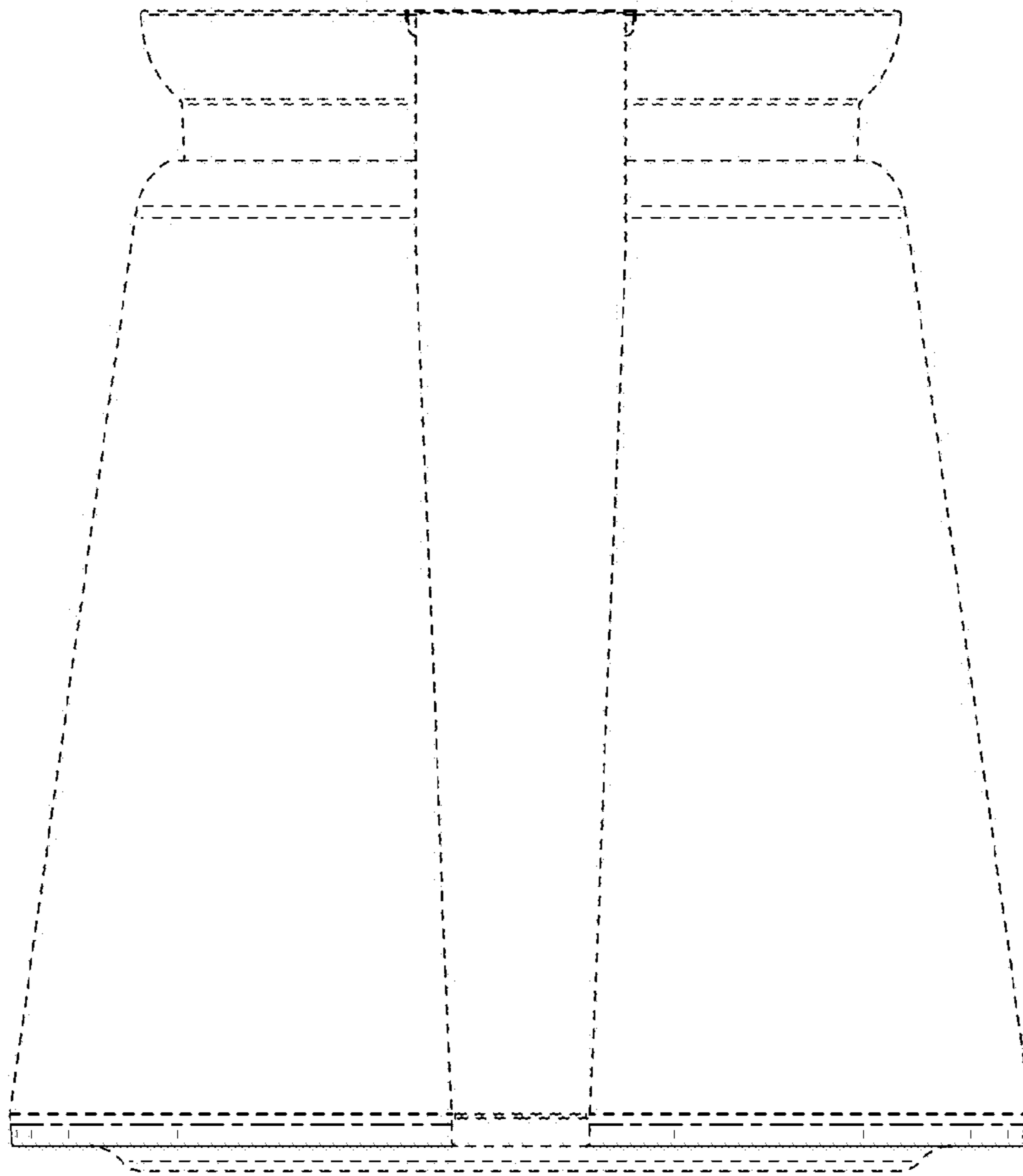


FIG. 3

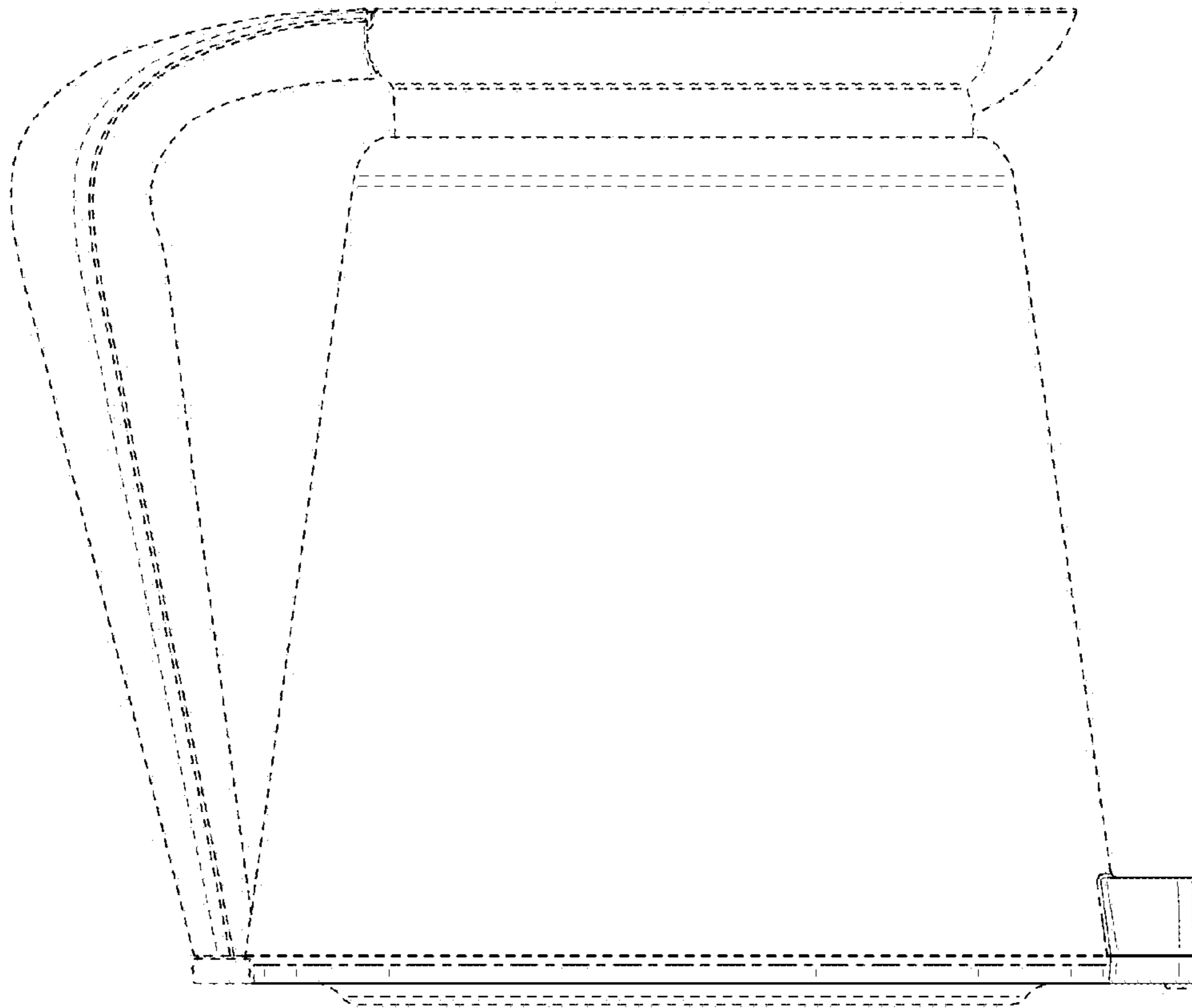


FIG. 4

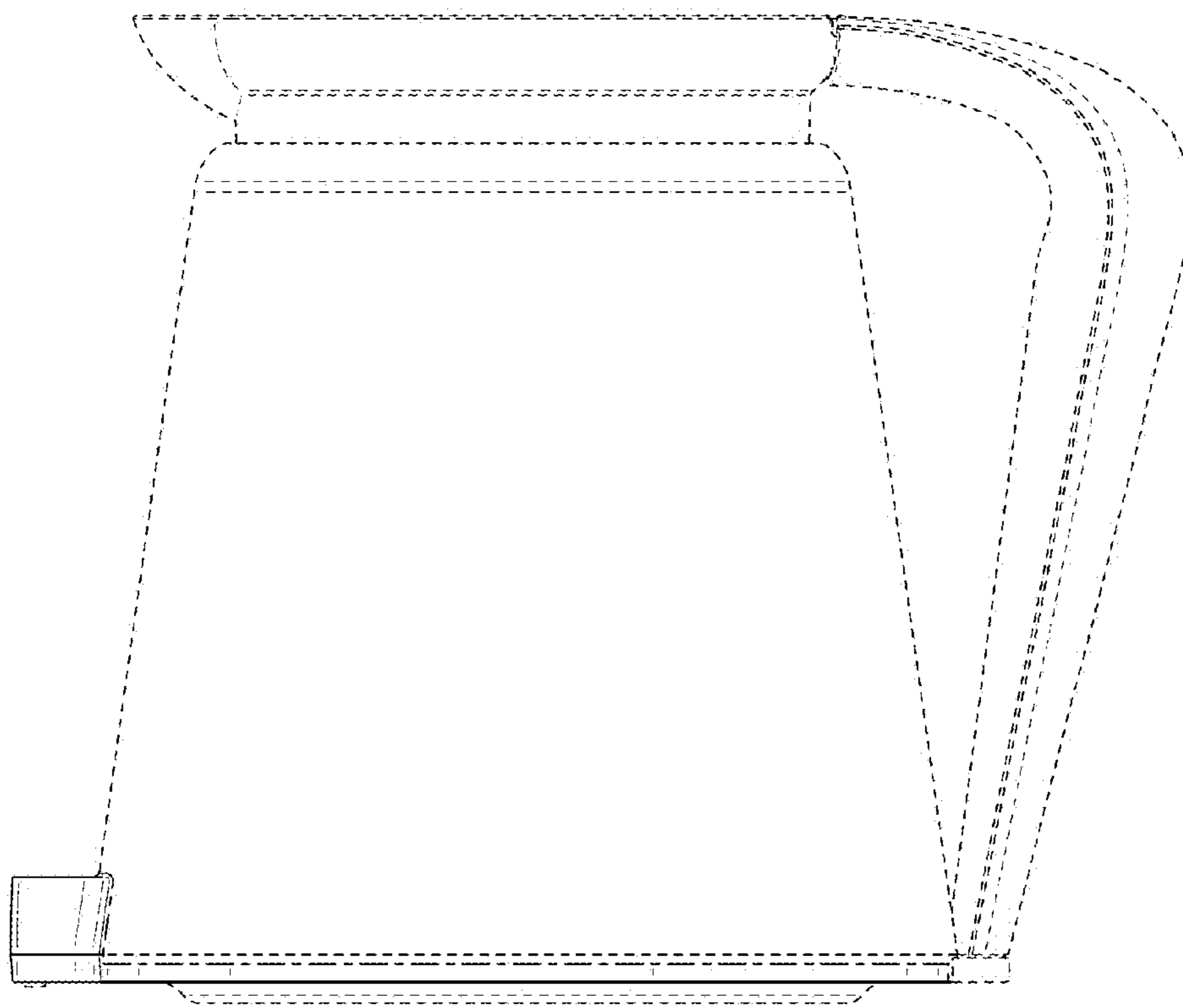


FIG. 5

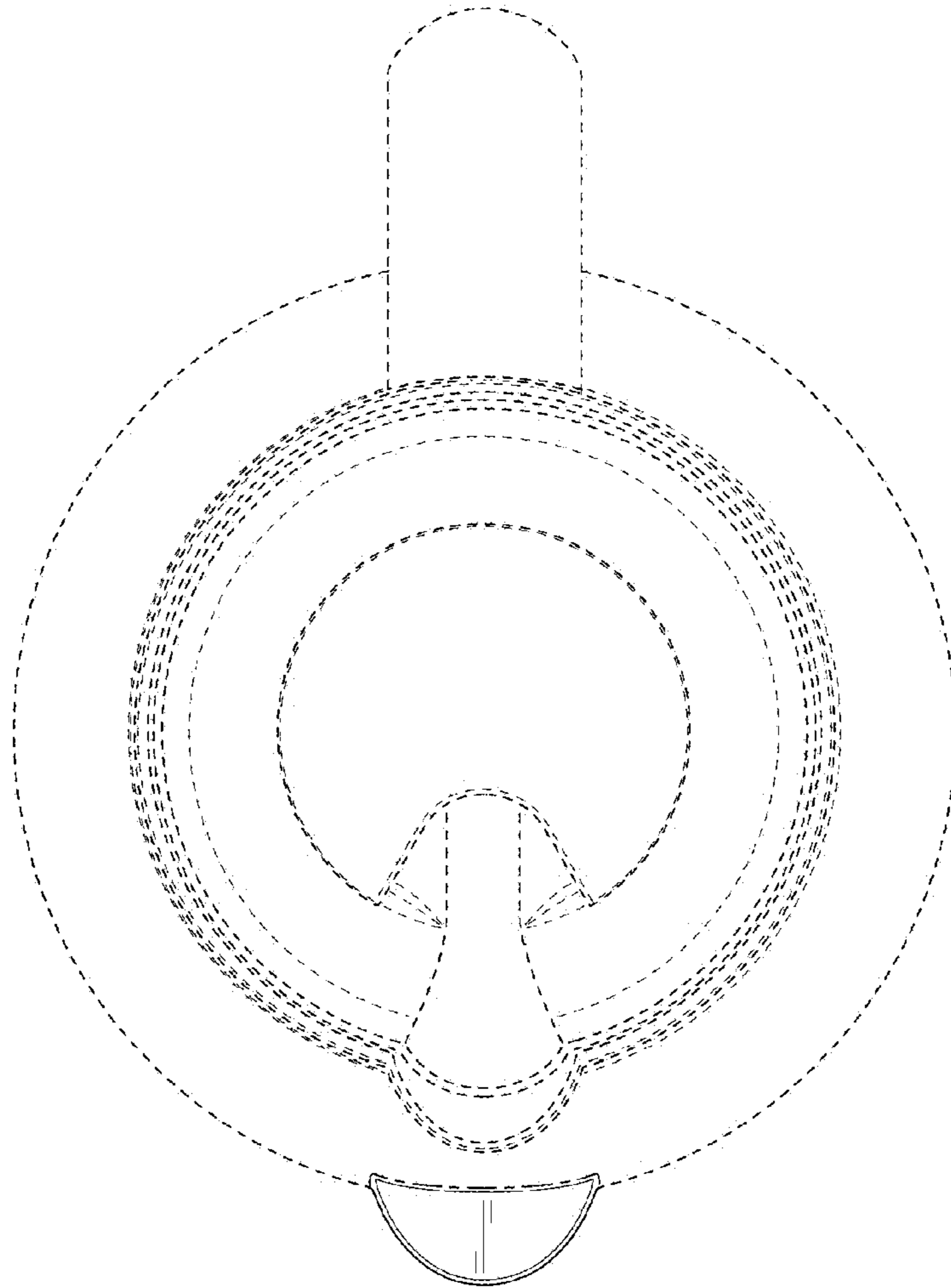


FIG. 6

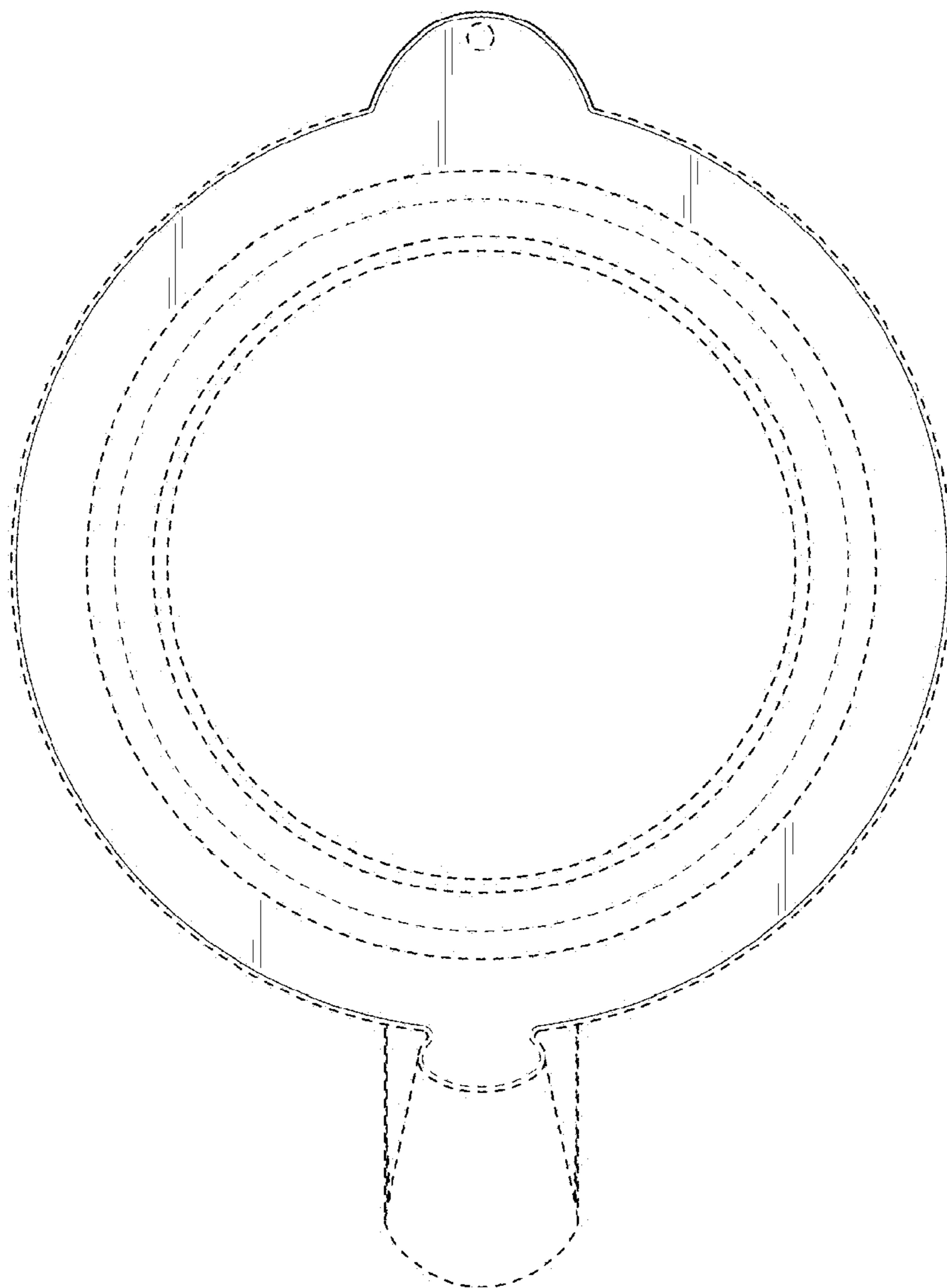


FIG. 7

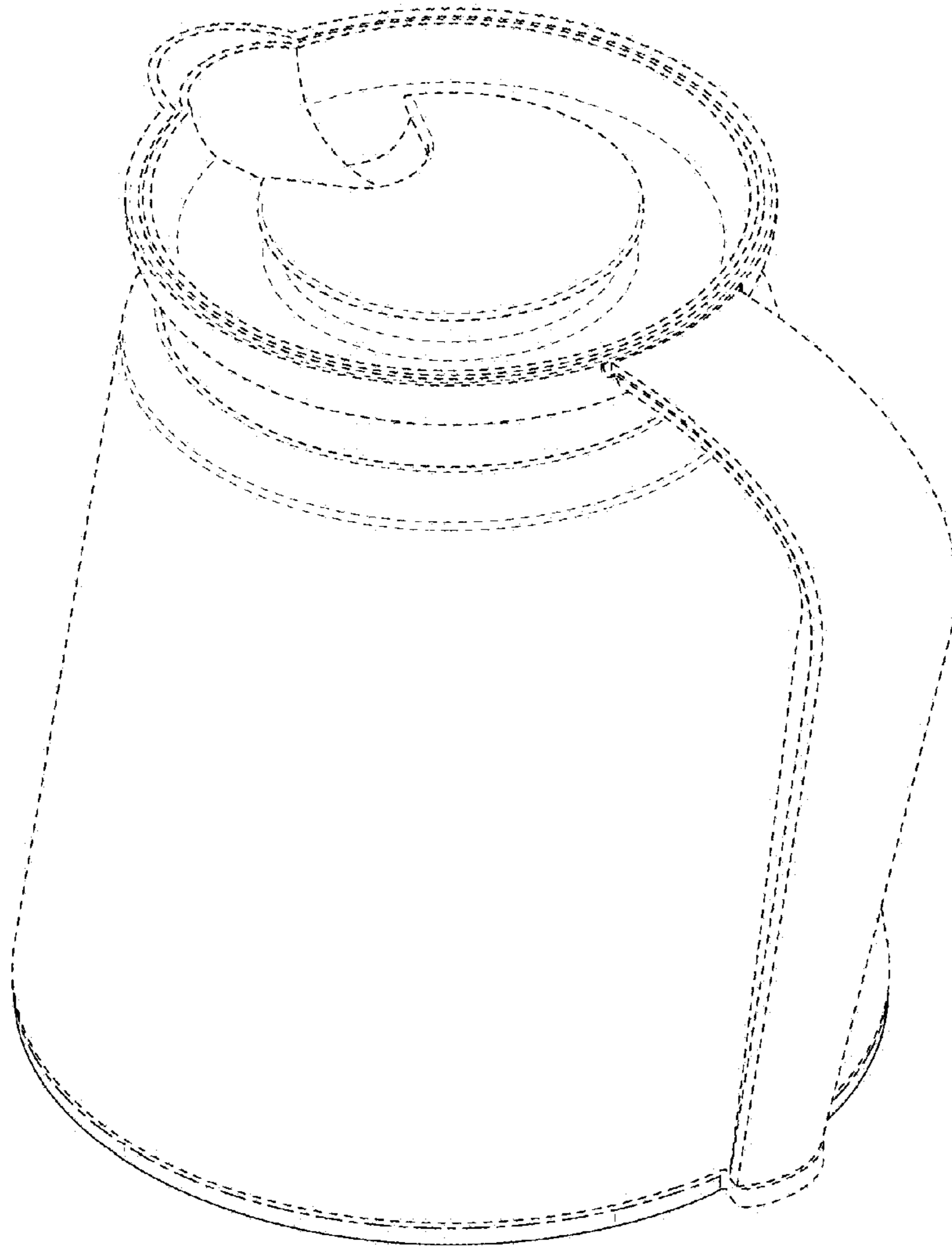


FIG. 8