



US00D729002S

(12) **United States Design Patent**
Barberi

(10) **Patent No.:** **US D729,002 S**
(45) **Date of Patent:** **** May 12, 2015**

(54) **ELONGATED SIDE HANDLE FOR COOKWARE**

(71) Applicant: **Meyer Intellectual Properties Limited,**
Kowloon (HK)

(72) Inventor: **Philip D. Barberi,** San Ramon, CA (US)

(73) Assignee: **Meyer Intellectual Properties Limited**
(VG)

(**) Term: **14 Years**

(21) Appl. No.: **29/499,462**

(22) Filed: **Aug. 15, 2014**

(51) **LOC (10) Cl.** **07-02**

(52) **U.S. Cl.**
USPC **D7/395**

(58) **Field of Classification Search**

CPC .. A47J 45/071; A47J 45/072; B65D 25/2802;
B65D 25/2882; B65D 25/2885; B65D
25/2888; B65D 25/2894; Y10S 220/912
USPC D7/354-361, 393-395, 401.2, 664;
D8/107, 300, 303, 307, 313, 321;
D4/138, 129; 16/421, 430, 431, 110.1,
16/407; 220/573.1-573.5, 752, 753, 755,
220/756, 759, 767, 771, 912

See application file for complete search history.

(56) **References Cited**

U.S. PATENT DOCUMENTS

| | | | | |
|--------------|---------|---------------|-------|--------|
| D483,990 S * | 12/2003 | Munari | | D7/395 |
| D520,811 S * | 5/2006 | Spagnolo | | D7/395 |
| D579,265 S * | 10/2008 | Munari | | D7/393 |
| D590,206 S * | 4/2009 | Munari | | D7/395 |
| D617,606 S * | 6/2010 | Munari | | D7/395 |
| D618,961 S * | 7/2010 | Chafai et al. | | D7/395 |
| D686,873 S * | 7/2013 | Rae | | D7/395 |
| D693,171 S * | 11/2013 | Munari | | D7/395 |
| D696,552 S * | 12/2013 | Rae | | D7/395 |
| D699,071 S * | 2/2014 | Munari | | D7/395 |
| D705,597 S * | 5/2014 | Howie | | D7/395 |

* cited by examiner

Primary Examiner — Cynthia M Chin

(74) *Attorney, Agent, or Firm* — Miller Canfield

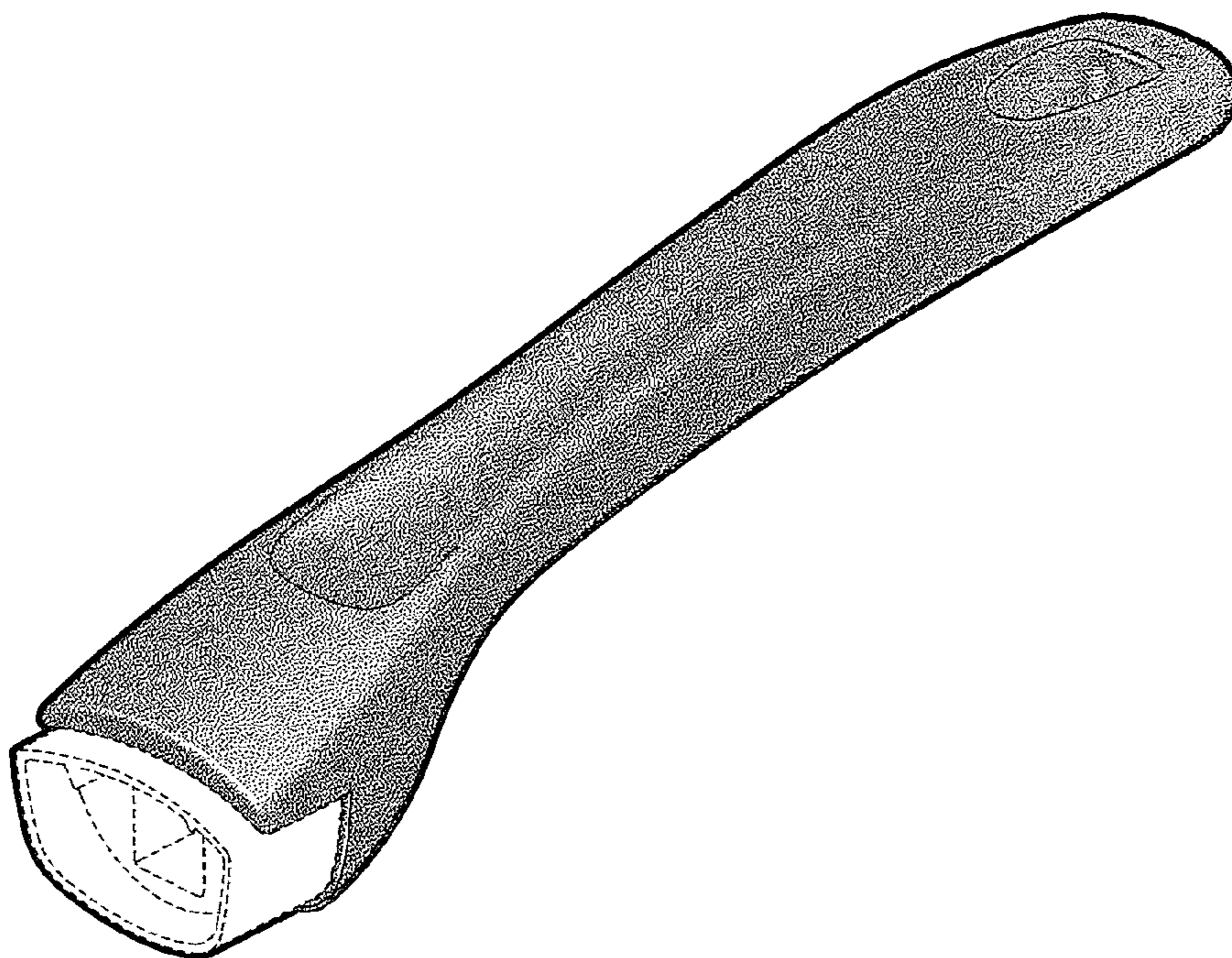
(57) **CLAIM**

The ornamental design for an elongated side handle for cookware, as shown and described.

DESCRIPTION

FIG. 1 is a perspective view of the elongated side handle for cookware showing my new design; FIG. 2 is a right side elevation view thereof; the left side elevation view being the mirror image thereof; FIG. 3 is a top plan view thereof; FIG. 4 is a bottom plan view thereof; FIG. 5 is a front elevation view thereof; and, FIG. 6 is a rear elevation view thereof. The broken lines in FIGS. 1, 2 and 4-6 are for illustrative purposes only, depicting the environment of the new design, forming no part thereof as claimed.

1 Claim, 3 Drawing Sheets



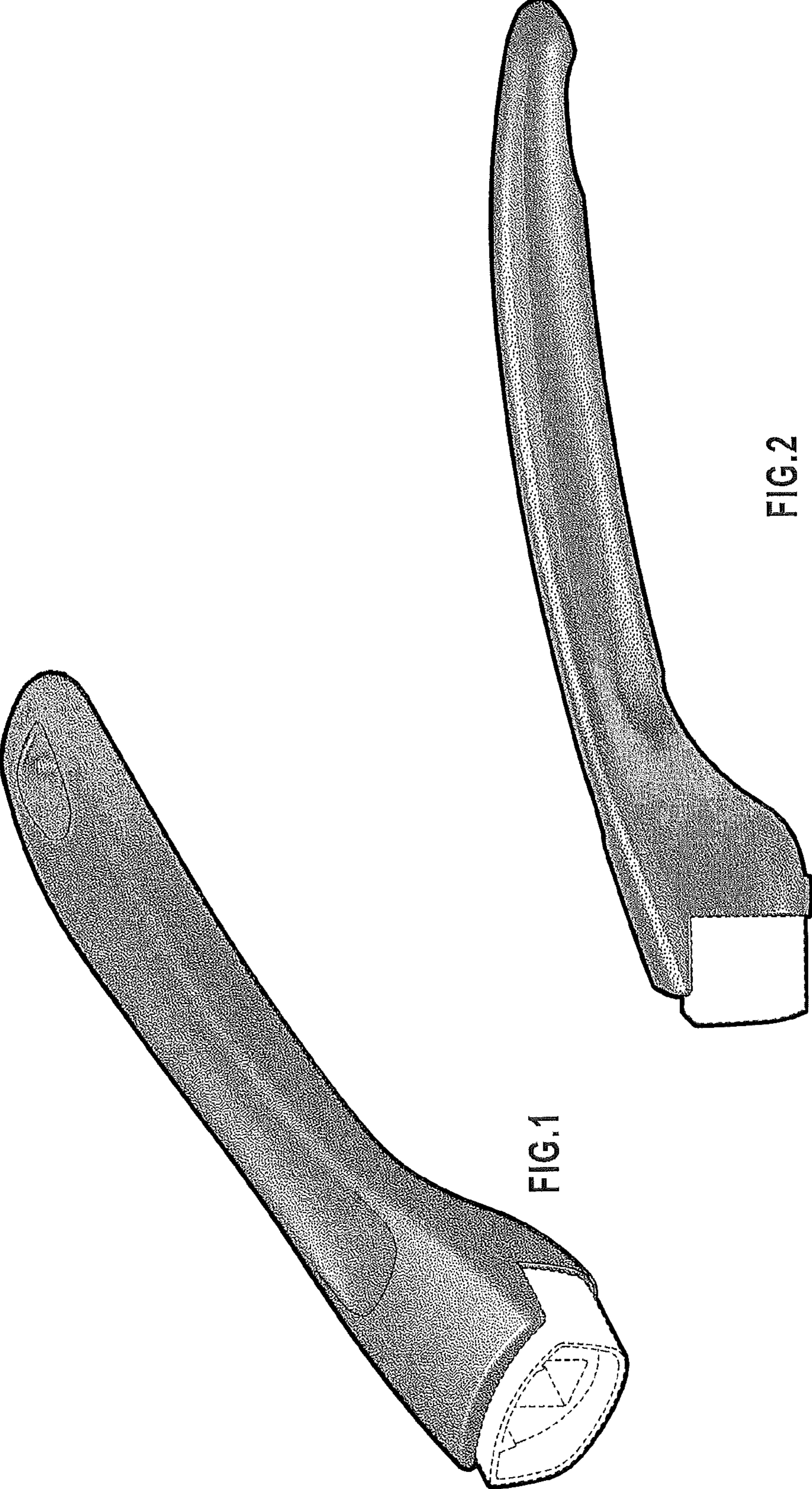


FIG.1

FIG.2

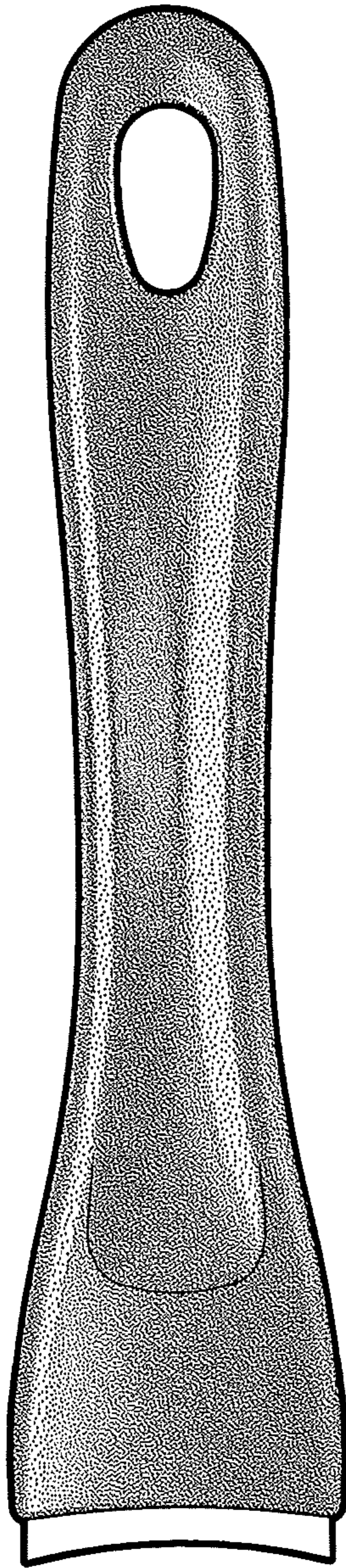


FIG.3

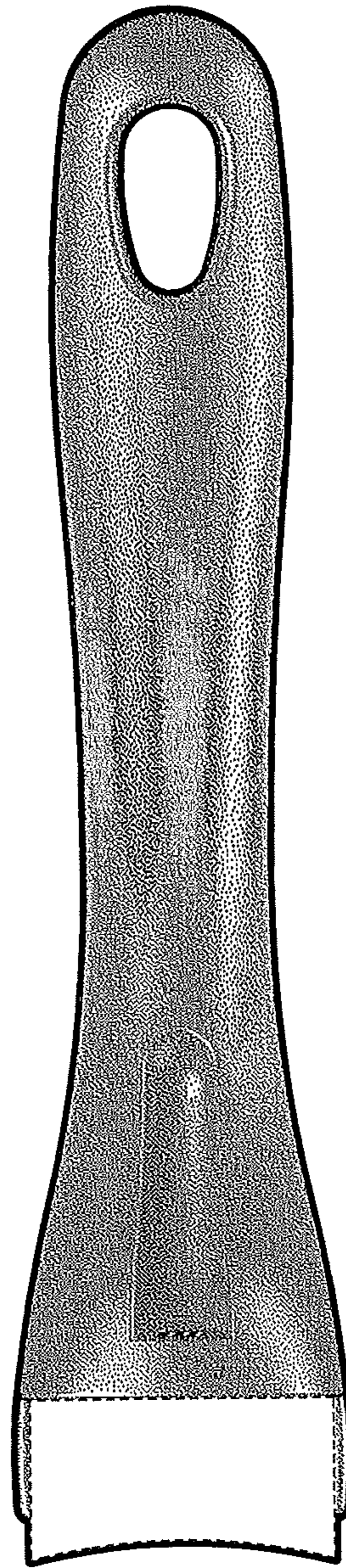


FIG.4

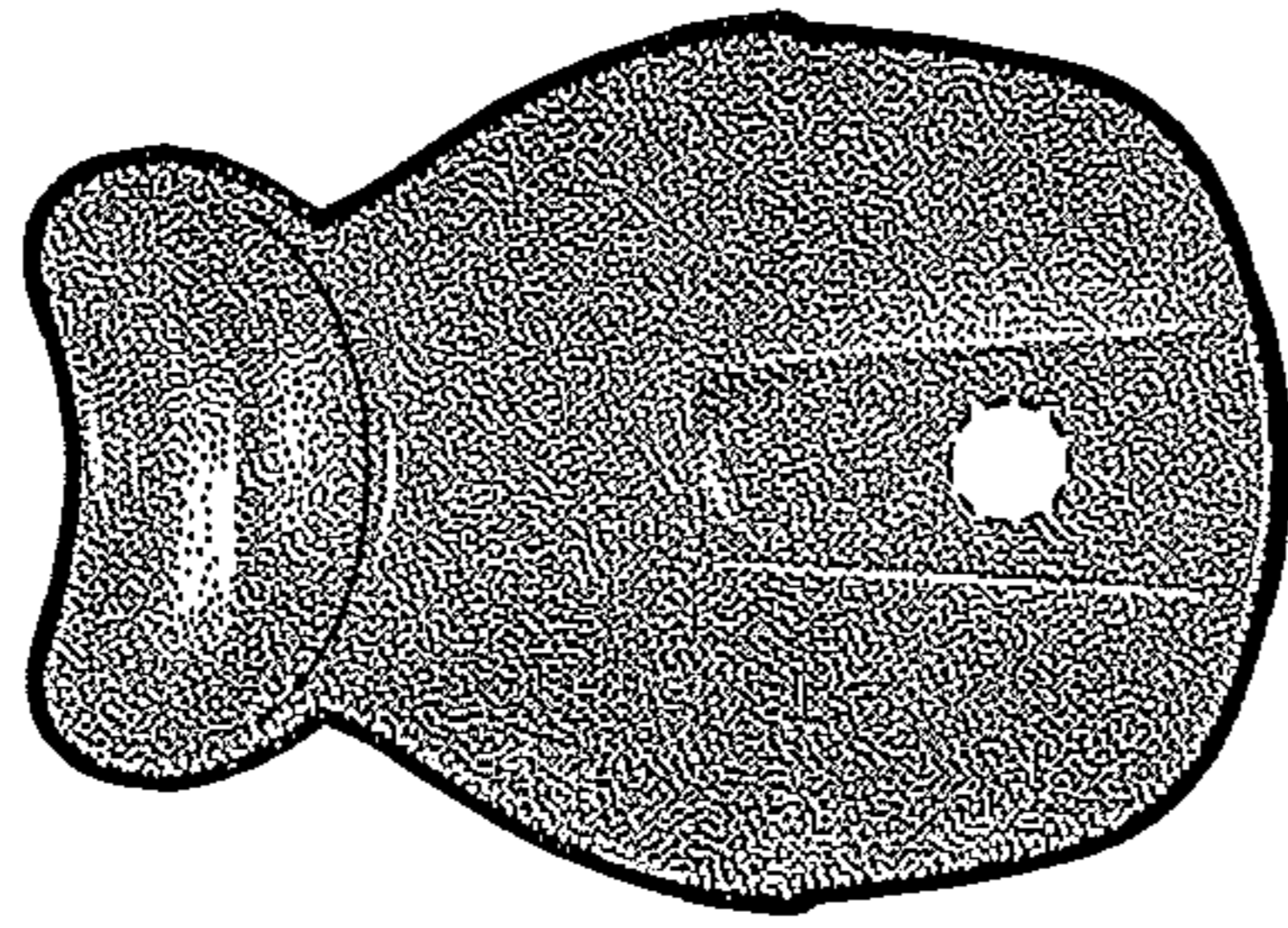


FIG. 6

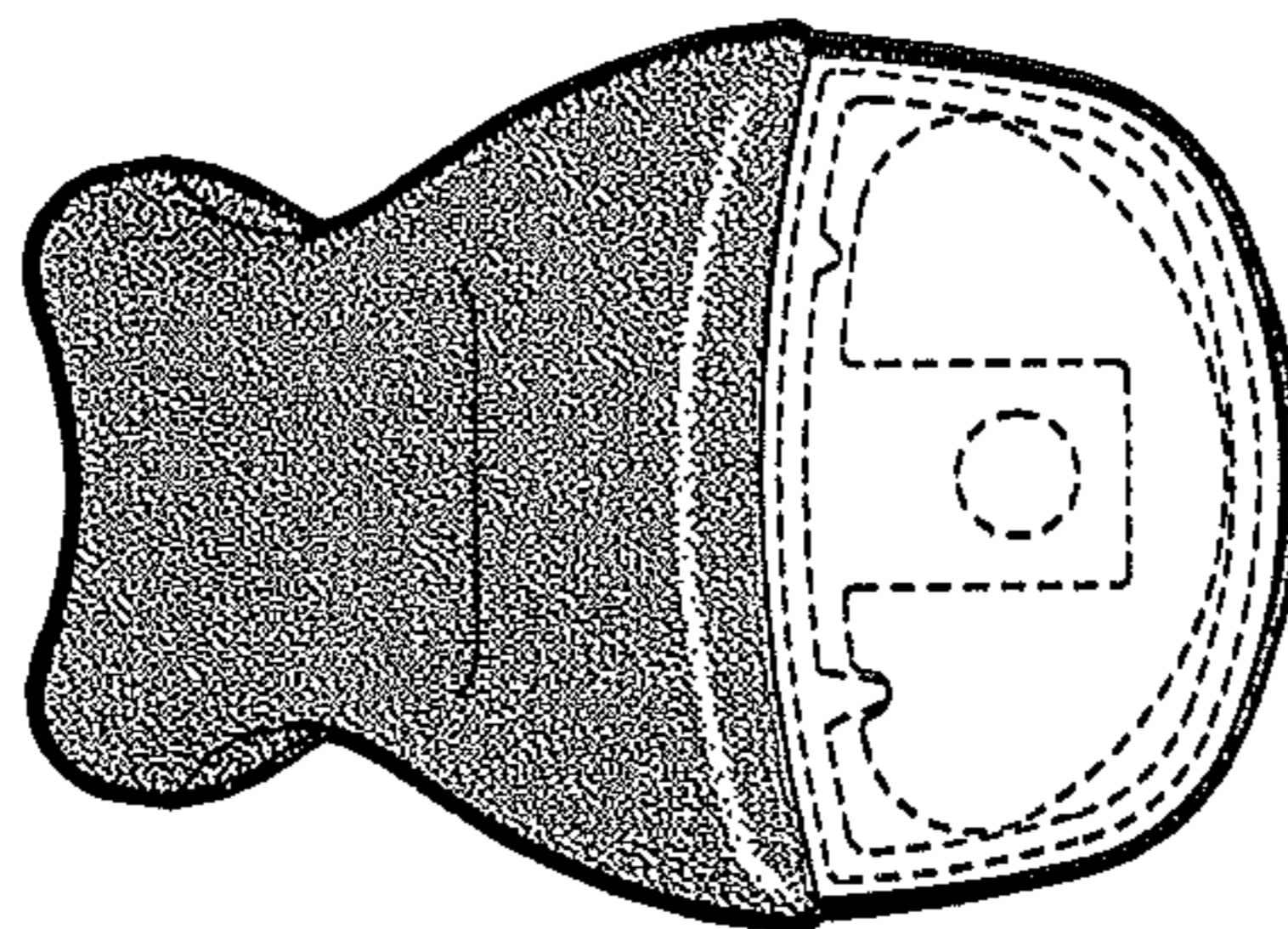


FIG. 5