



US00D729001S

(12) **United States Design Patent**
Barberi

(10) **Patent No.:** **US D729,001 S**

(45) **Date of Patent:** **** May 12, 2015**

- (54) **SIDE HANDLE FOR COOKWARE**
- (71) Applicant: **Meyer Intellectual Properties Limited,**
Kowloon (HK)
- (72) Inventor: **Philip D. Barberi,** San Ramon, CA (US)
- (73) Assignee: **Meyer Intellectual Properties Limited**
(VG)
- (**) Term: **14 Years**
- (21) Appl. No.: **29/499,471**

- (22) Filed: **Aug. 15, 2014**
- (51) **LOC (10) Cl.** **07-02**
- (52) **U.S. Cl.**
USPC **D7/394**
- (58) **Field of Classification Search**
USPC D7/354-361, 391, 393-395, 396.2, 514,
D7/664; D8/107, 300, 301, 306, 315, 316,
D8/317, 319, 320, 321; 16/430, 431,
16/110.1, 114.1, 407, 416, 429, 443, 441;
220/377, 573.1-573.5, 752, 753, 755,
220/756, 760, 772, 773, 912; 138/121, 145,
138/173

See application file for complete search history.

(56) **References Cited**

U.S. PATENT DOCUMENTS

D391,444 S *	3/1998	Munari	D7/394
D395,376 S *	6/1998	Montgelard	D7/393
D462,570 S *	9/2002	Munari	D7/394
D470,011 S *	2/2003	Munari	D7/394
D527,220 S *	8/2006	Scipioni	D7/394
D532,651 S *	11/2006	Giugiaro	D7/394
D561,524 S *	2/2008	Munari	D7/394
D584,920 S *	1/2009	Munari	D7/394
D607,270 S *	1/2010	Munari	D7/394

D615,350 S *	5/2010	Munari	D7/394
D617,138 S *	6/2010	Munari	D7/394
D680,806 S *	4/2013	Munari	D7/394
D683,582 S *	6/2013	Rae	D7/394

* cited by examiner

Primary Examiner — Cynthia M Chin

(74) *Attorney, Agent, or Firm* — Miller Canfield

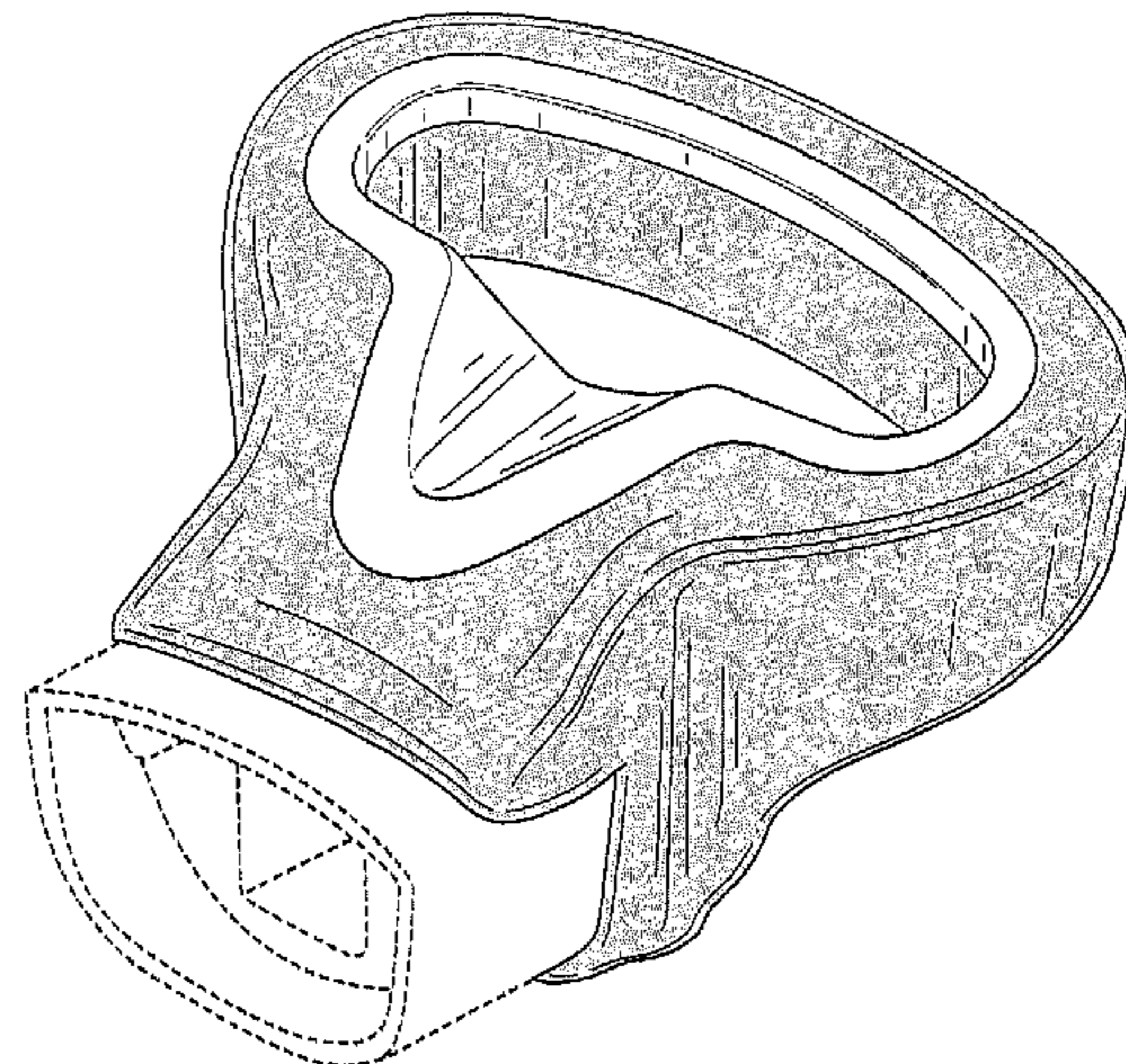
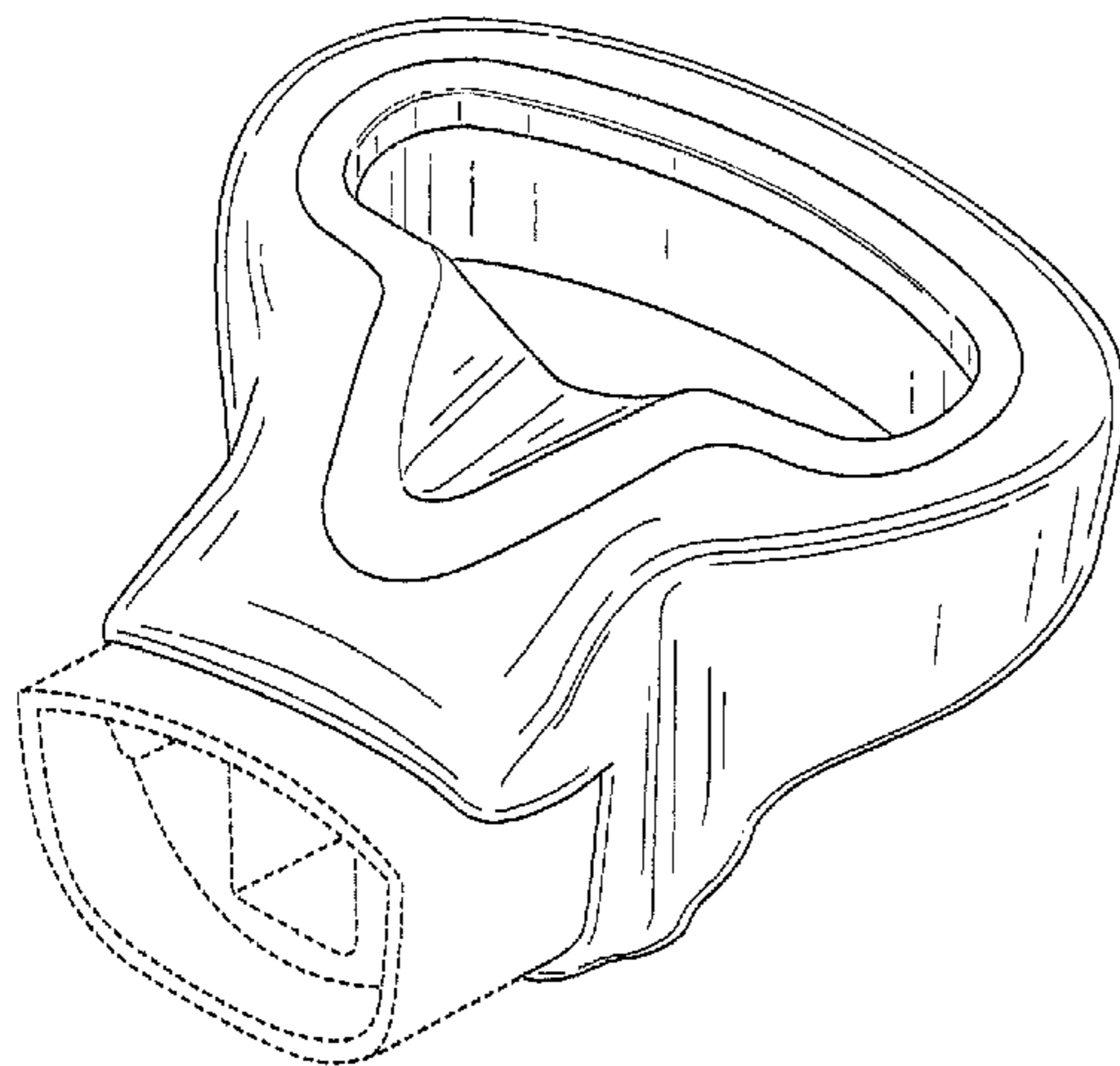
(57) **CLAIM**

The ornamental design for a side handle for cookware, as shown and described.

DESCRIPTION

FIG. 1 is a perspective view of a first embodiment of the side handle for cookware showing my new design; FIG. 2 is a right side elevation view thereof; the left side elevation view being the mirror image thereof; FIG. 3 is a top plan view thereof; FIG. 4 is a bottom plan view thereof; FIG. 5 is a front elevation view thereof; FIG. 6 is a rear elevation view thereof; FIG. 7 is a perspective view of a second embodiment of the side handle for cookware showing my new design; FIG. 8 is a right side elevation view of the second embodiment; the left side elevation view being the mirror image thereof; FIG. 9 is a top plan view of the second embodiment; FIG. 10 is a bottom plan view of the second embodiment; FIG. 11 is a front elevation view of the second embodiment; and, FIG. 12 is a rear elevation view of the second embodiment. The broken lines in FIGS. 1-12 are for illustrative purposes only, depicting the environment of the new design, forming no part thereof as claimed.

1 Claim, 6 Drawing Sheets



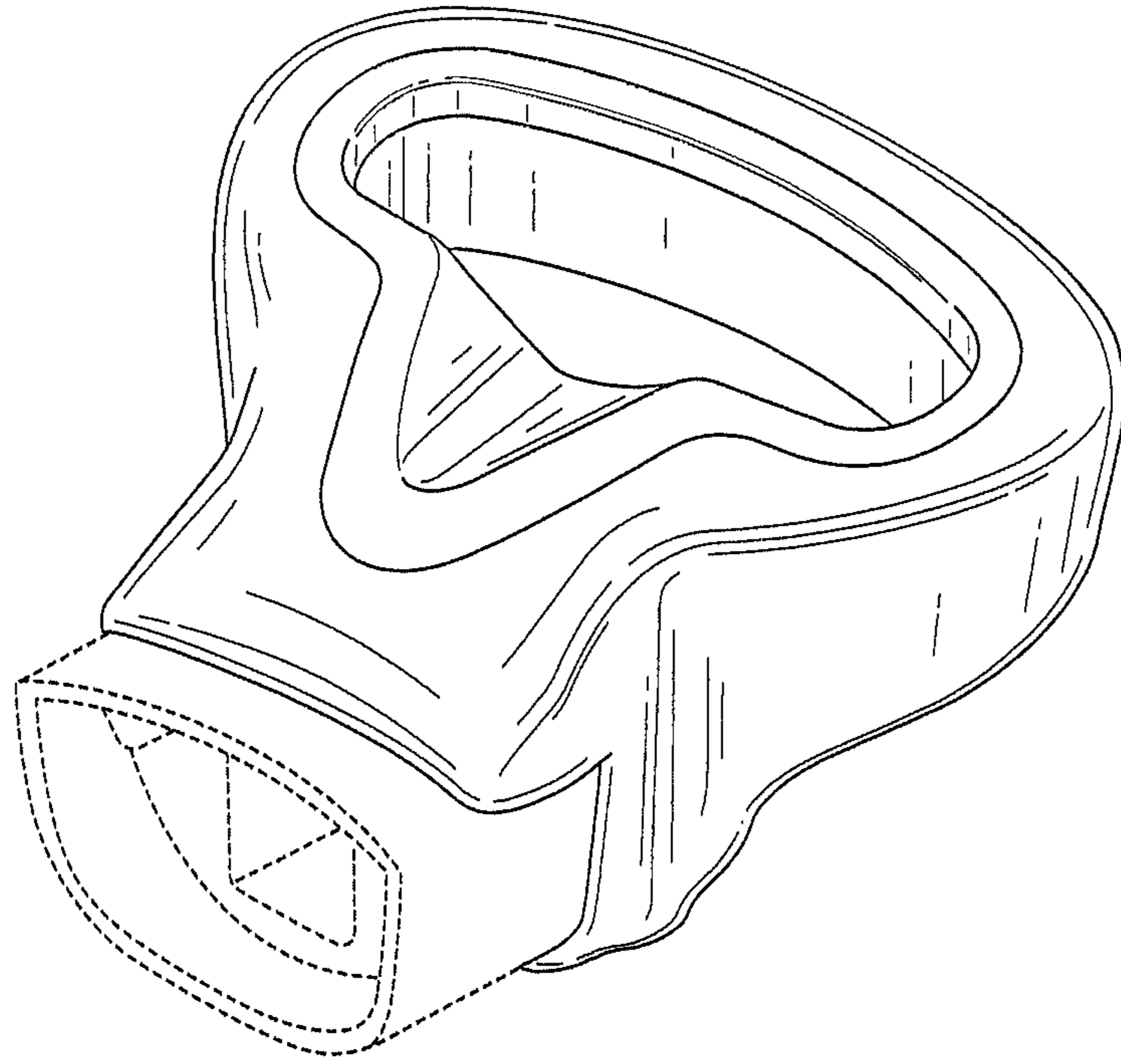


FIG. 1

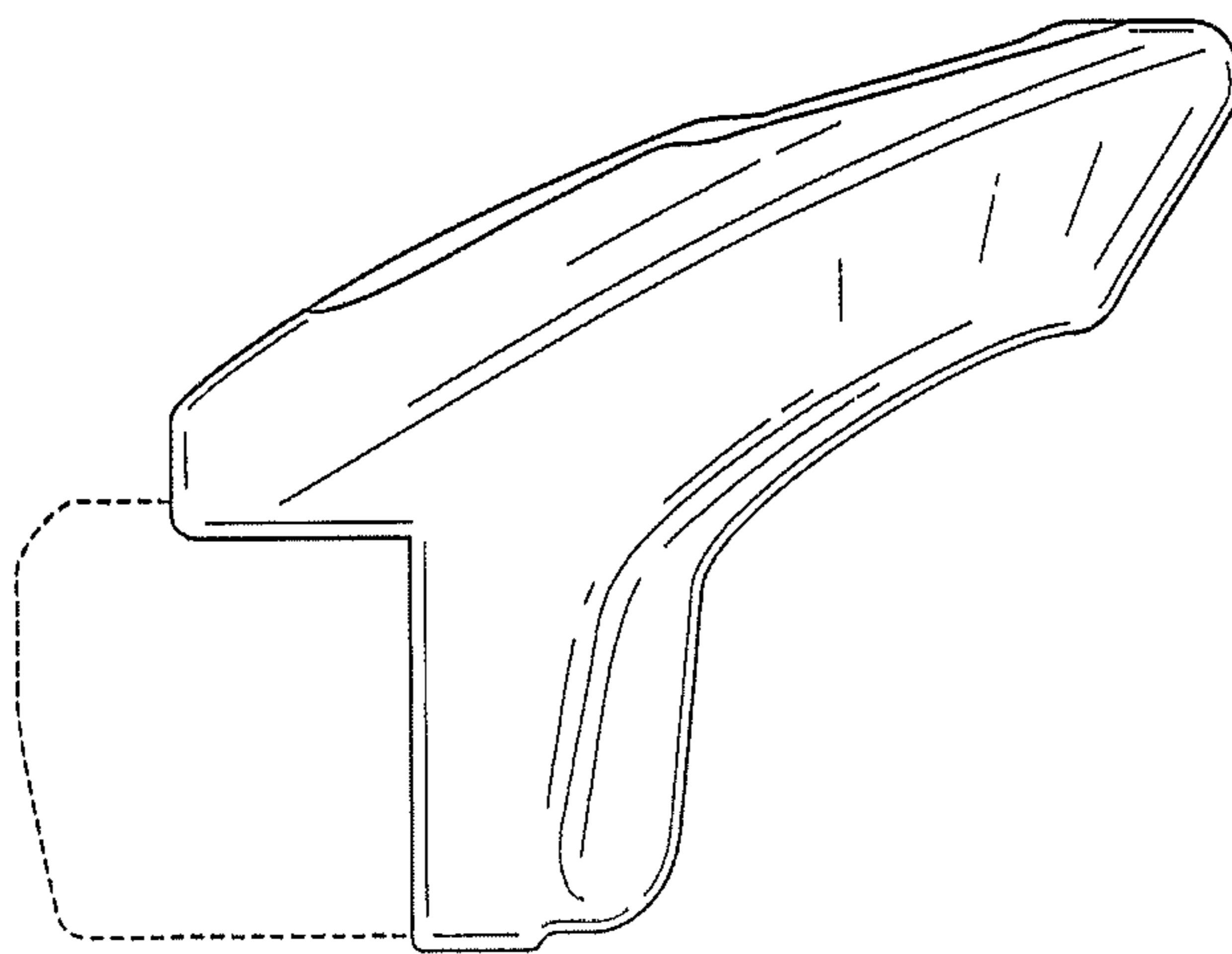


FIG. 2

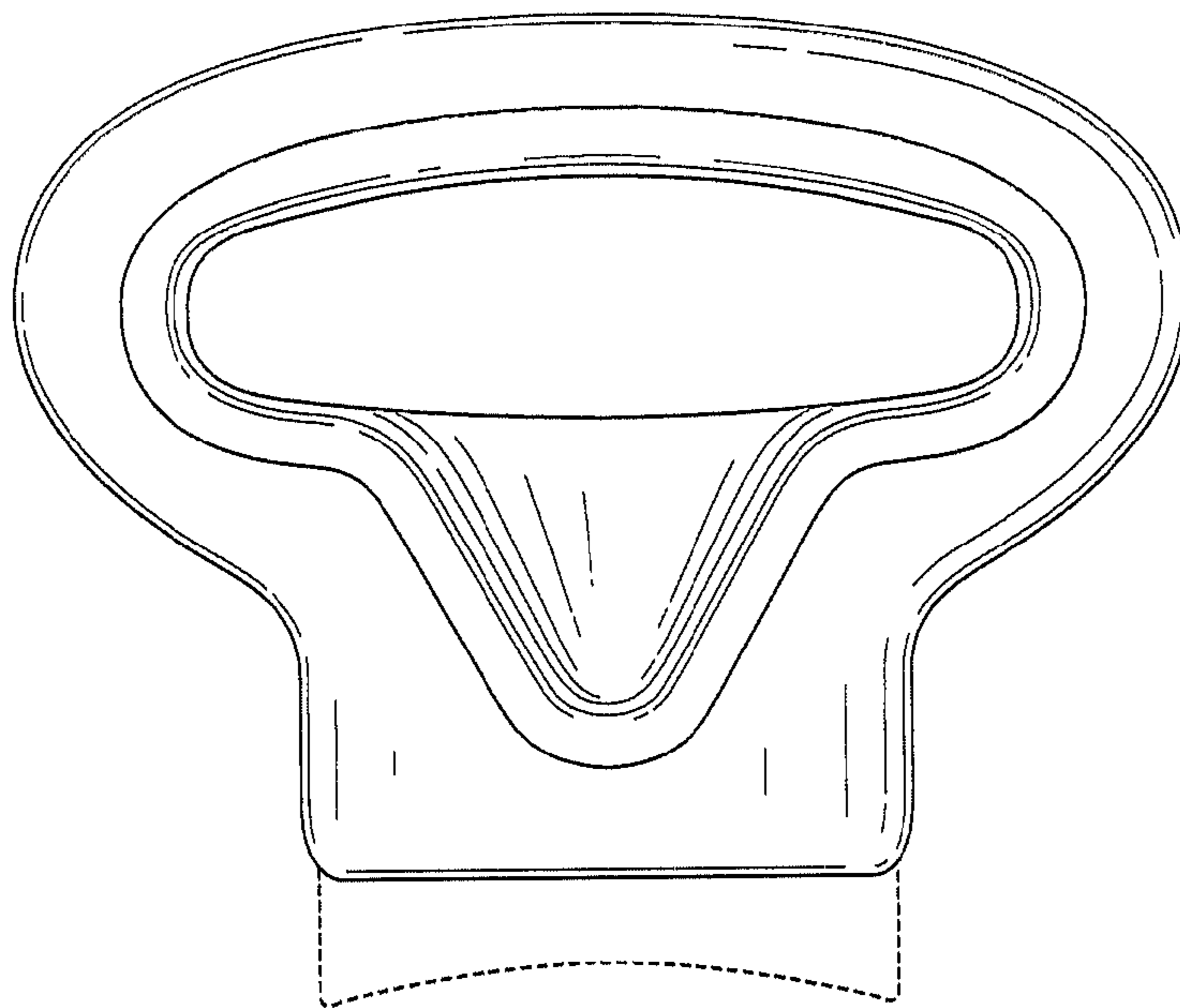


FIG. 3

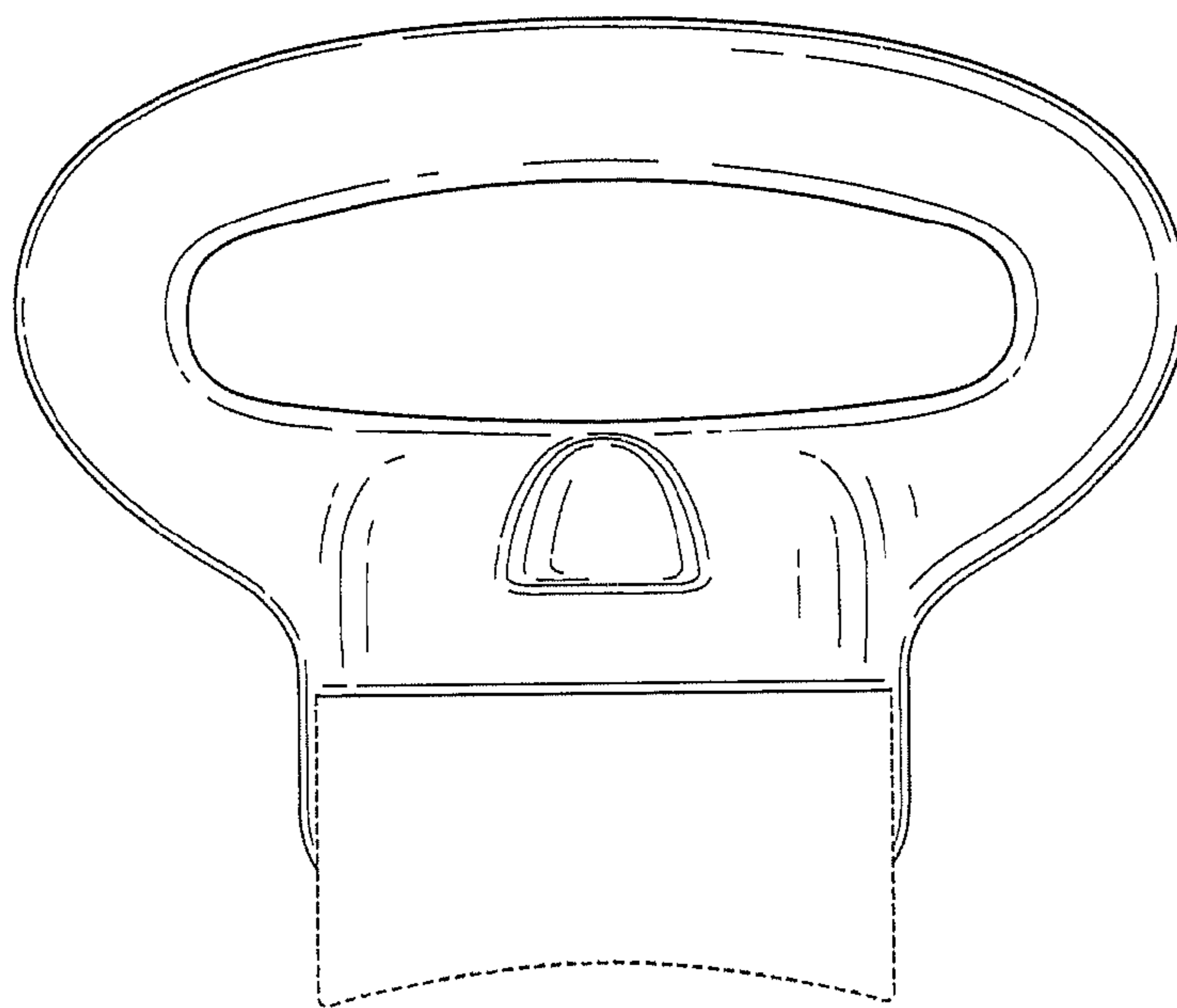


FIG. 4

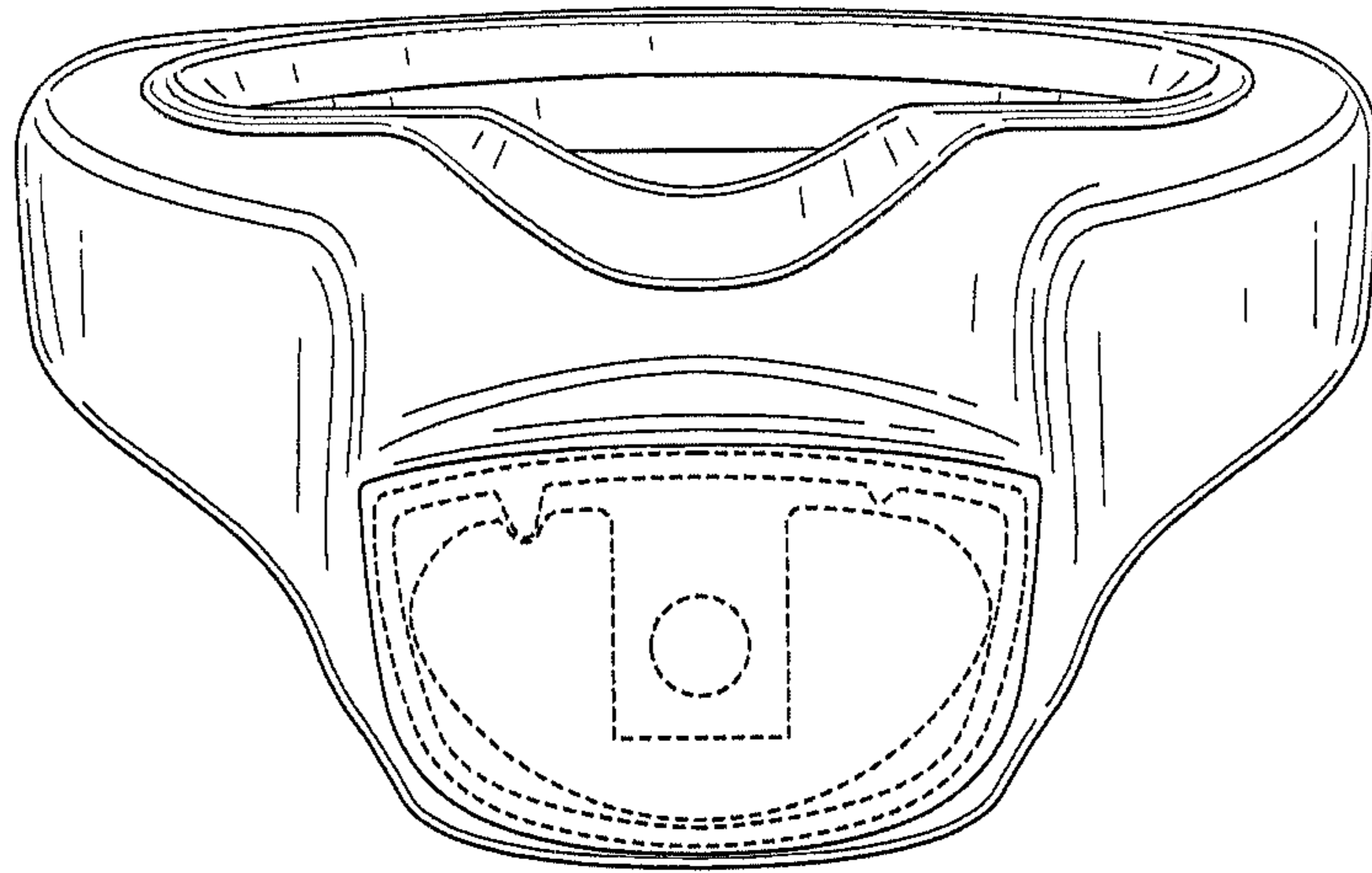


FIG. 5

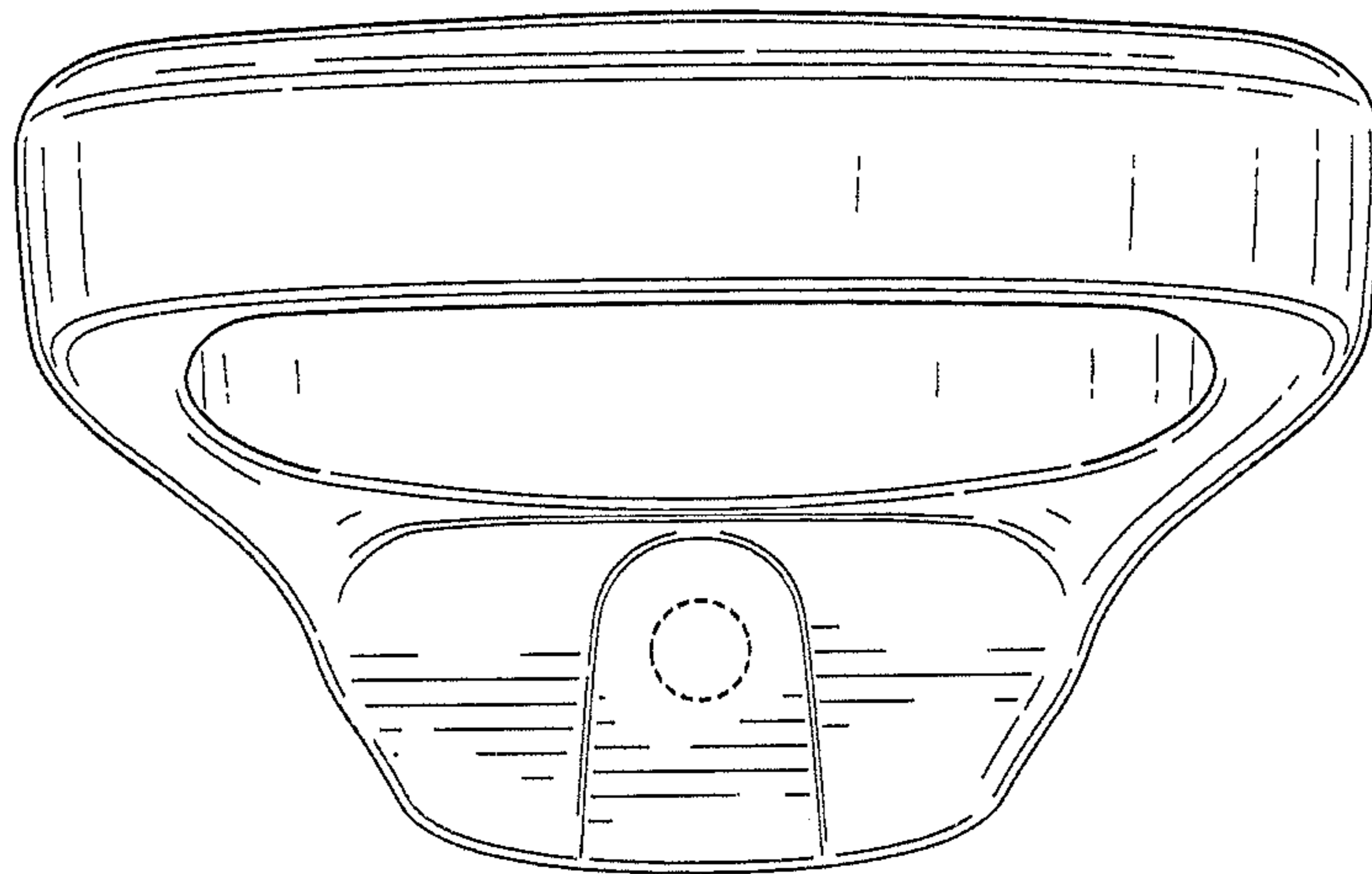


FIG. 6

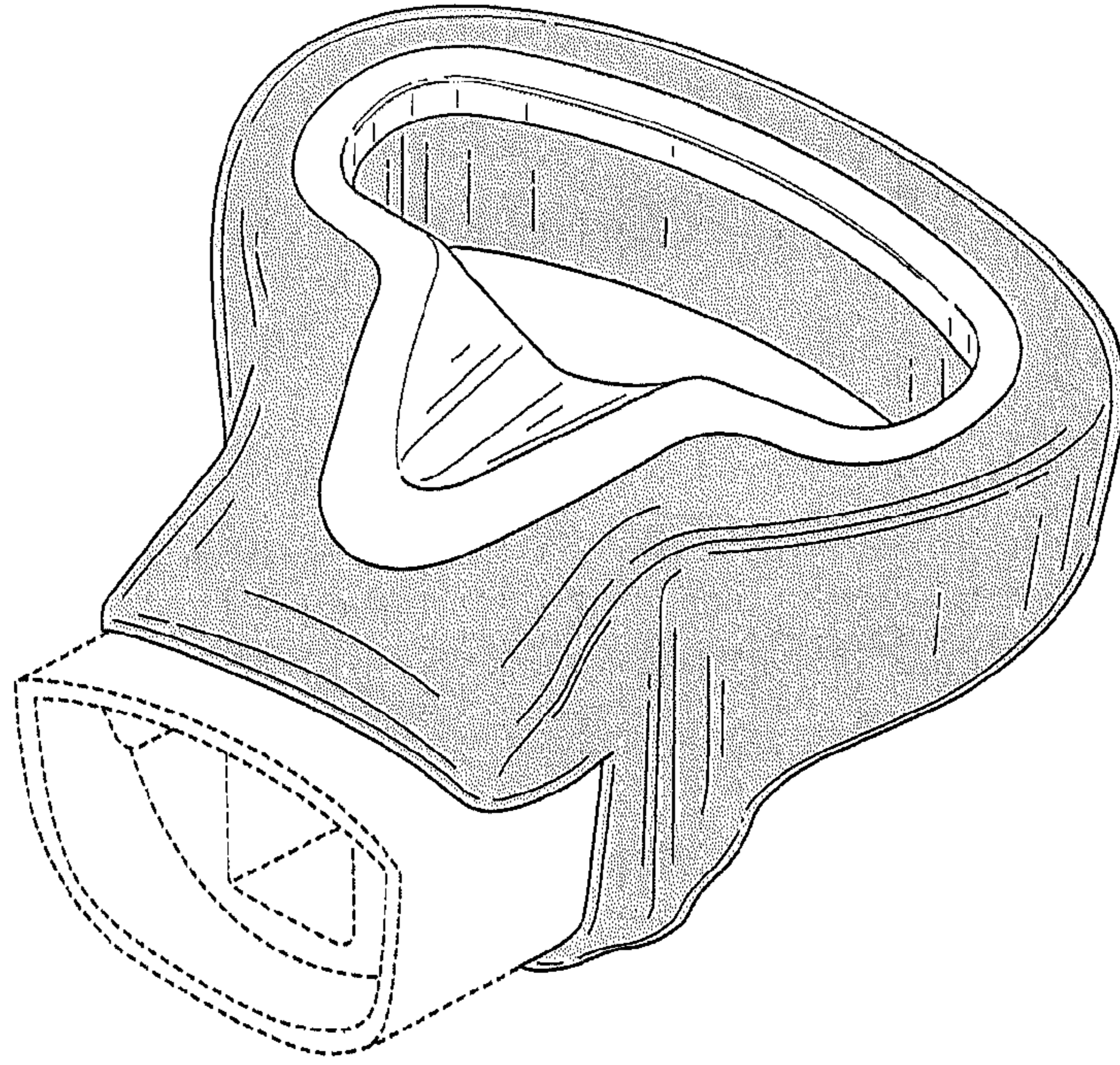


FIG. 7

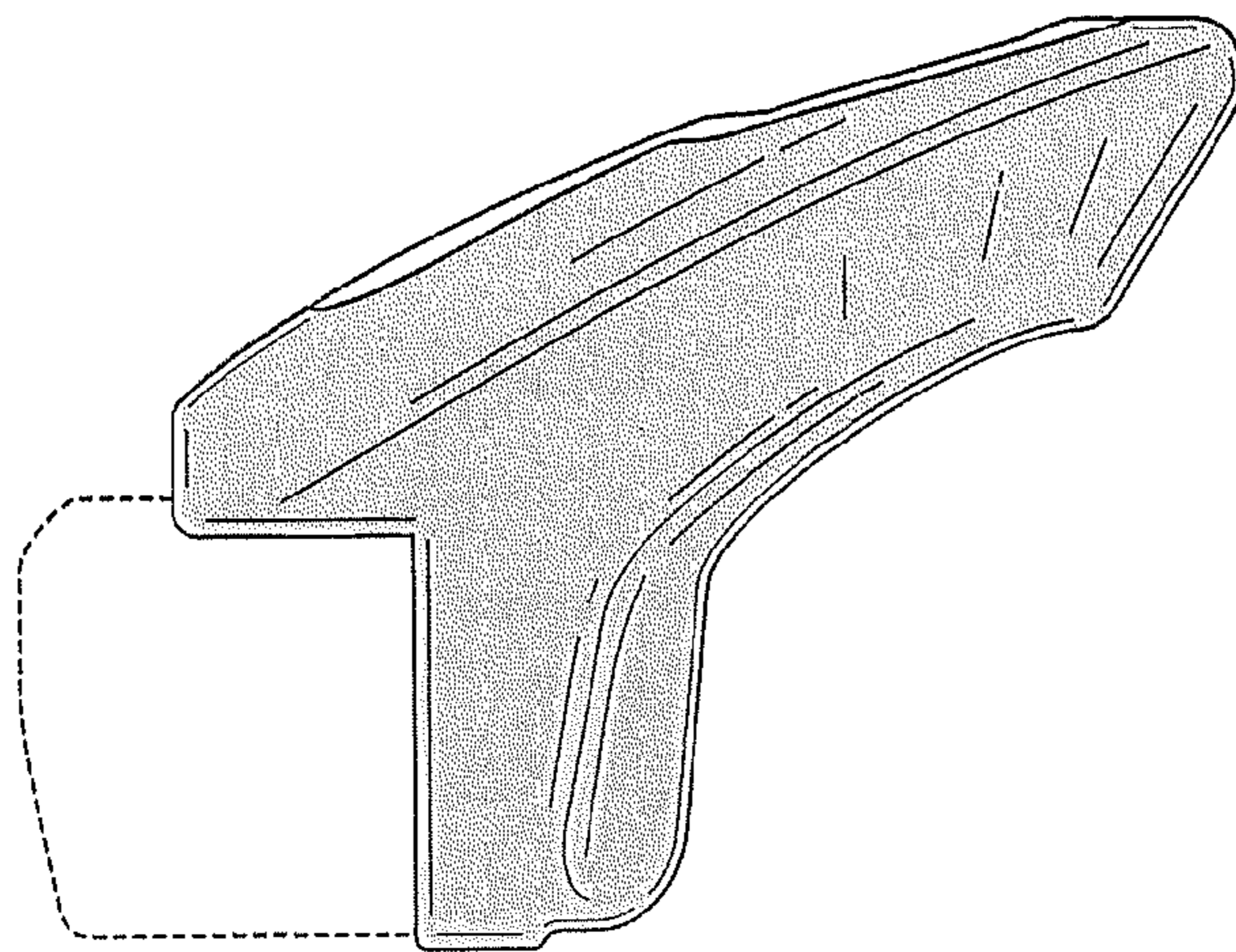


FIG. 8

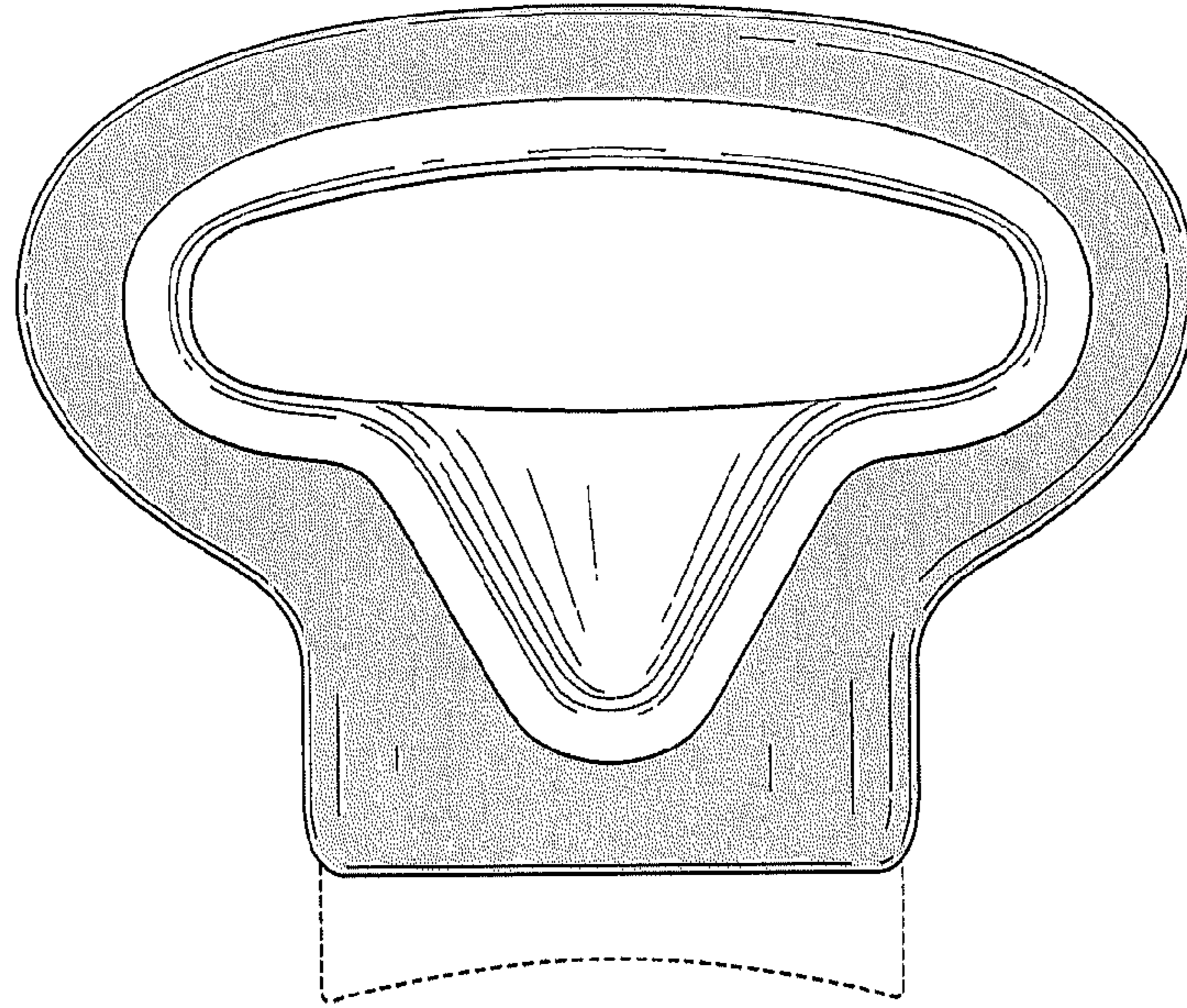


FIG. 9

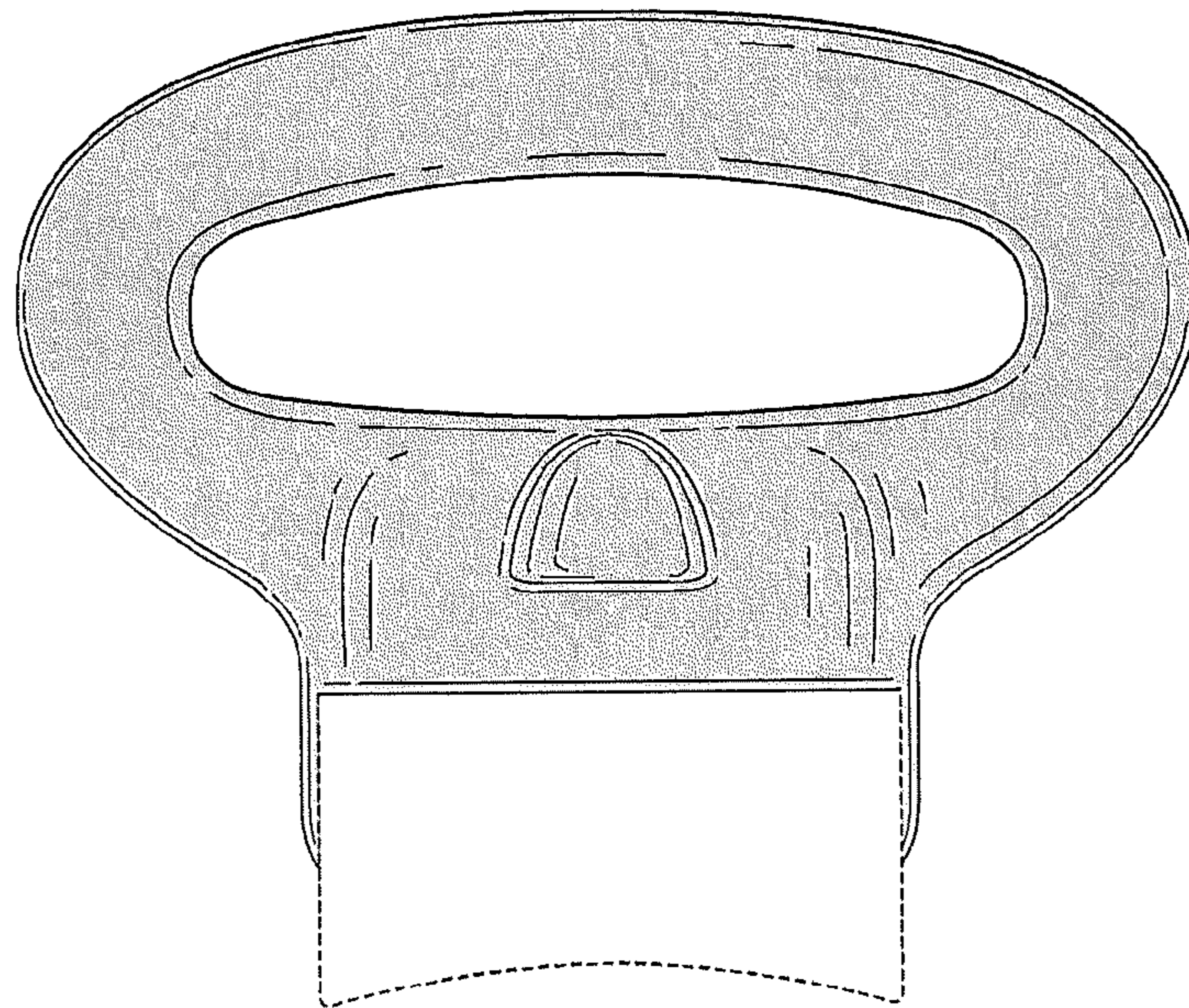


FIG. 10

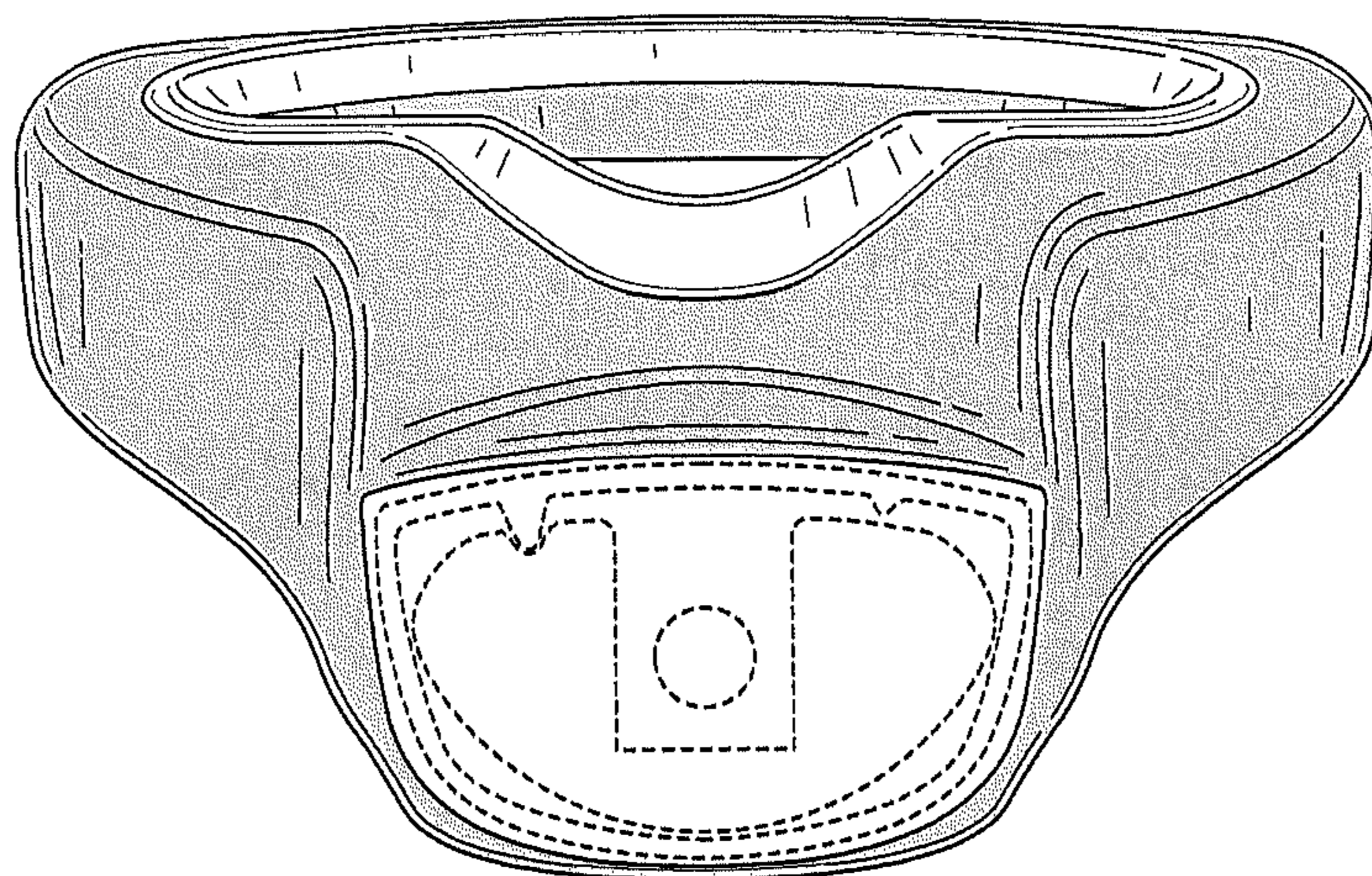


FIG. 11

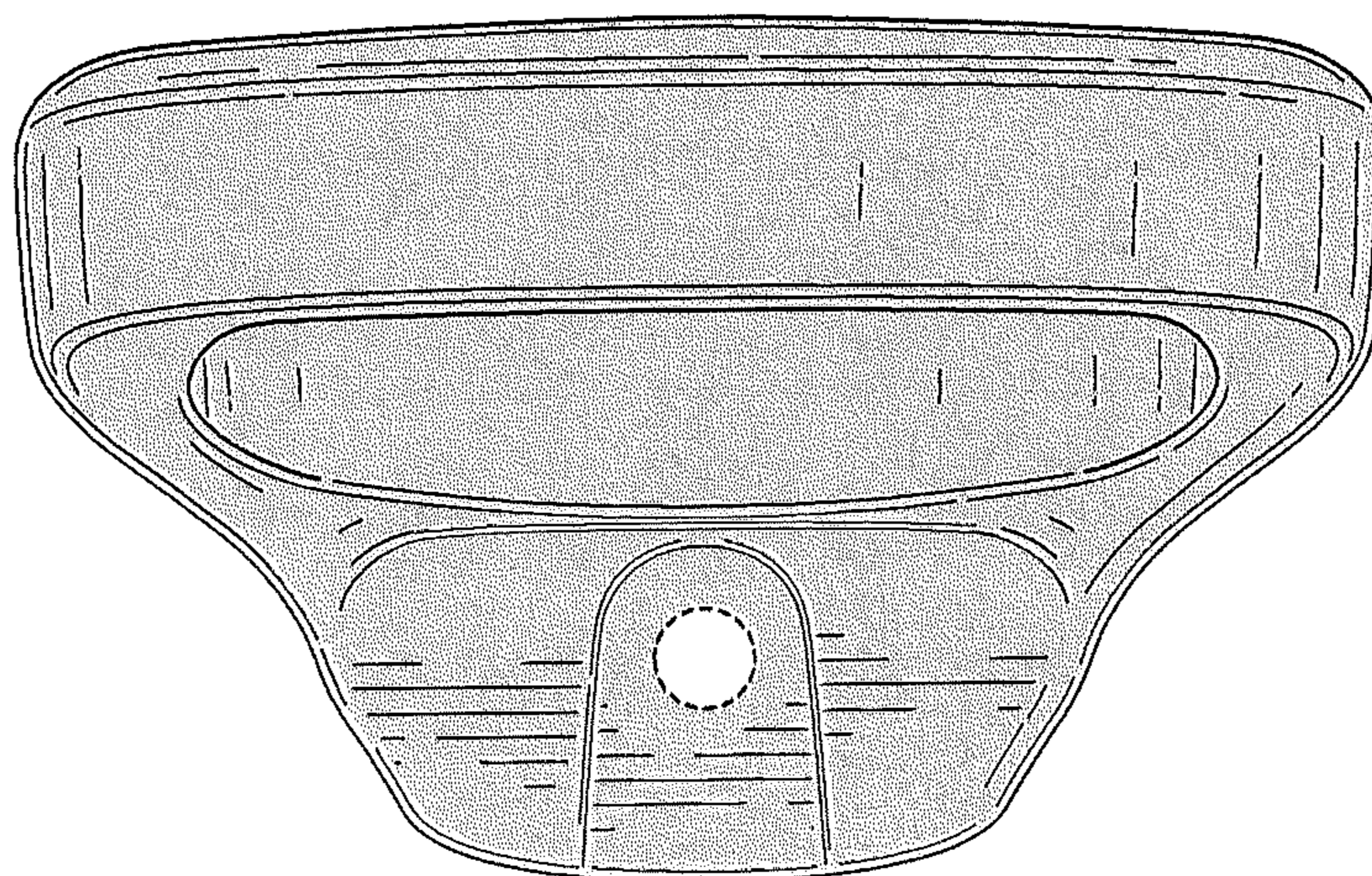


FIG. 12