



US00D729000S

(12) **United States Design Patent**  
**Barberi**

(10) **Patent No.:** **US D729,000 S**

(45) **Date of Patent:** **\*\* May 12, 2015**

- (54) **SIDE HANDLE FOR COOKWARE**
- (71) Applicant: **Meyer Intellectual Properties Limited**,  
Kowloon (HK)
- (72) Inventor: **Philip D. Barberi**, San Ramon, CA (US)
- (73) Assignee: **Meyer Intellectual Properties Limited**  
(VG)

D462,570 S *	9/2002	Munari	.....	D7/394
D470,011 S *	2/2003	Munari	.....	D7/394
D527,220 S *	8/2006	Scipioni	.....	D7/394
D532,651 S *	11/2006	Giugiaro	.....	D7/394
D561,524 S *	2/2008	Munari	.....	D7/394
D584,920 S *	1/2009	Munari	.....	D7/394
D607,270 S *	1/2010	Munari	.....	D7/394
D615,350 S *	5/2010	Munari	.....	D7/394
D617,138 S *	6/2010	Munari	.....	D7/394
D680,806 S *	4/2013	Munari	.....	D7/394
D683,582 S *	6/2013	Rae	.....	D7/394

(\*\*) Term: **14 Years**

\* cited by examiner

(21) Appl. No.: **29/499,463**

*Primary Examiner* — Cynthia M Chin

(22) Filed: **Aug. 15, 2014**

(74) *Attorney, Agent, or Firm* — Miller Canfield

(51) **LOC (10) Cl.** ..... **07-02**

(52) **U.S. Cl.**  
USPC ..... **D7/394**

(57) **CLAIM**

The ornamental design for a side handle for cookware, as shown and described.

(58) **Field of Classification Search**  
USPC ..... D7/354-361, 391, 393-395, 396.2, 514,  
D7/664; D8/107, 300, 301, 306, 315, 316,  
D8/317, 319, 320, 321; 16/430, 431,  
16/110.1, 114.1, 407, 416, 429, 443, 441;  
220/377, 573.1-573.5, 752, 753, 755,  
220/756, 760, 772, 773, 912; 138/121, 145,  
138/173

**DESCRIPTION**

FIG. 1 is a perspective view of the side handle for cookware showing my new design;  
FIG. 2 is a right side elevation view thereof; the left side elevation view being the mirror image thereof,  
FIG. 3 is a top plan view thereof;  
FIG. 4 is a bottom plan view thereof;  
FIG. 5 is a front elevation view thereof; and,  
FIG. 6 is a rear elevation view thereof.  
The broken lines in FIGS. 1-6 are for illustrative purposes only, depicting the environment of the new design, forming no part thereof as claimed.

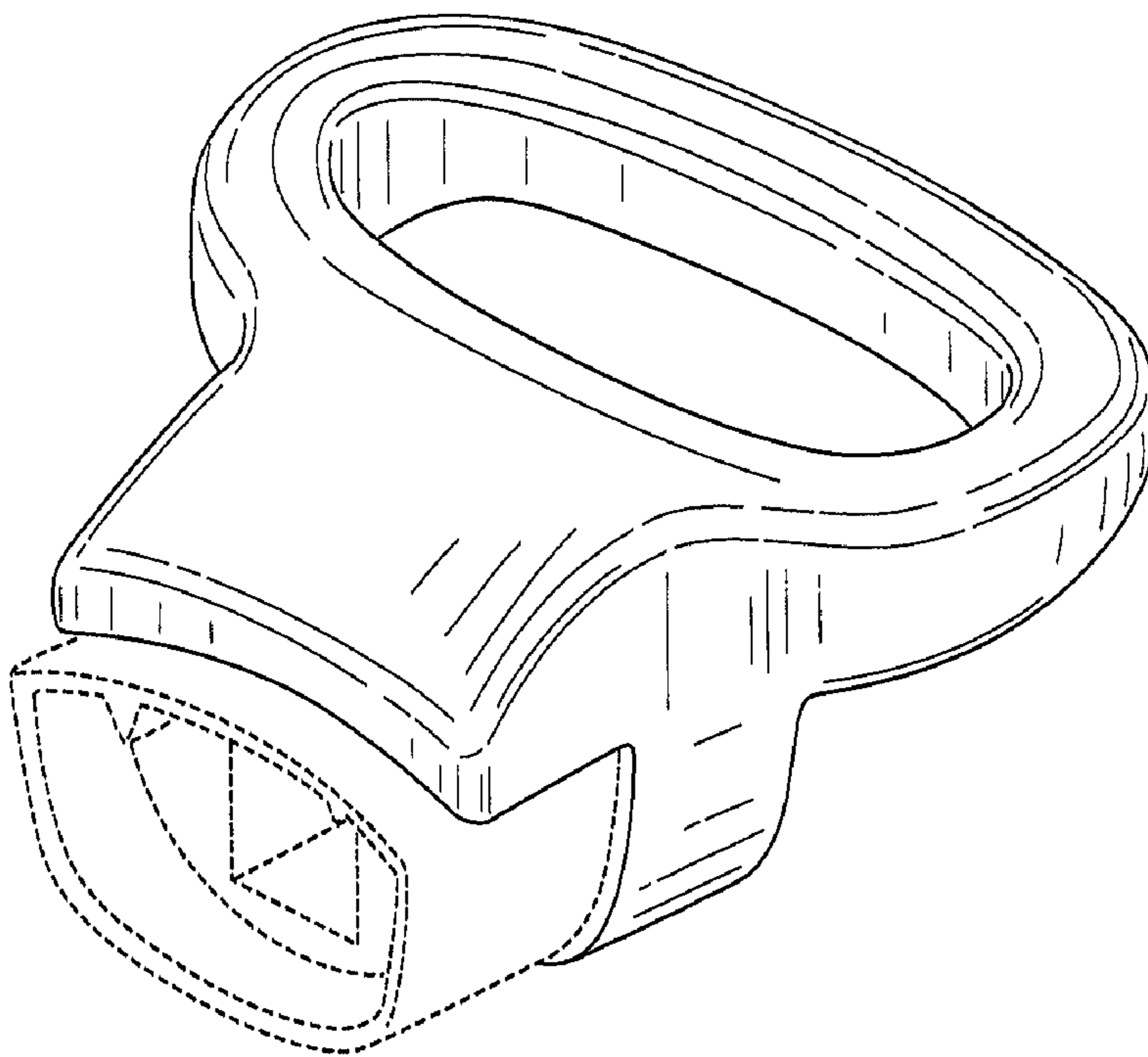
See application file for complete search history.

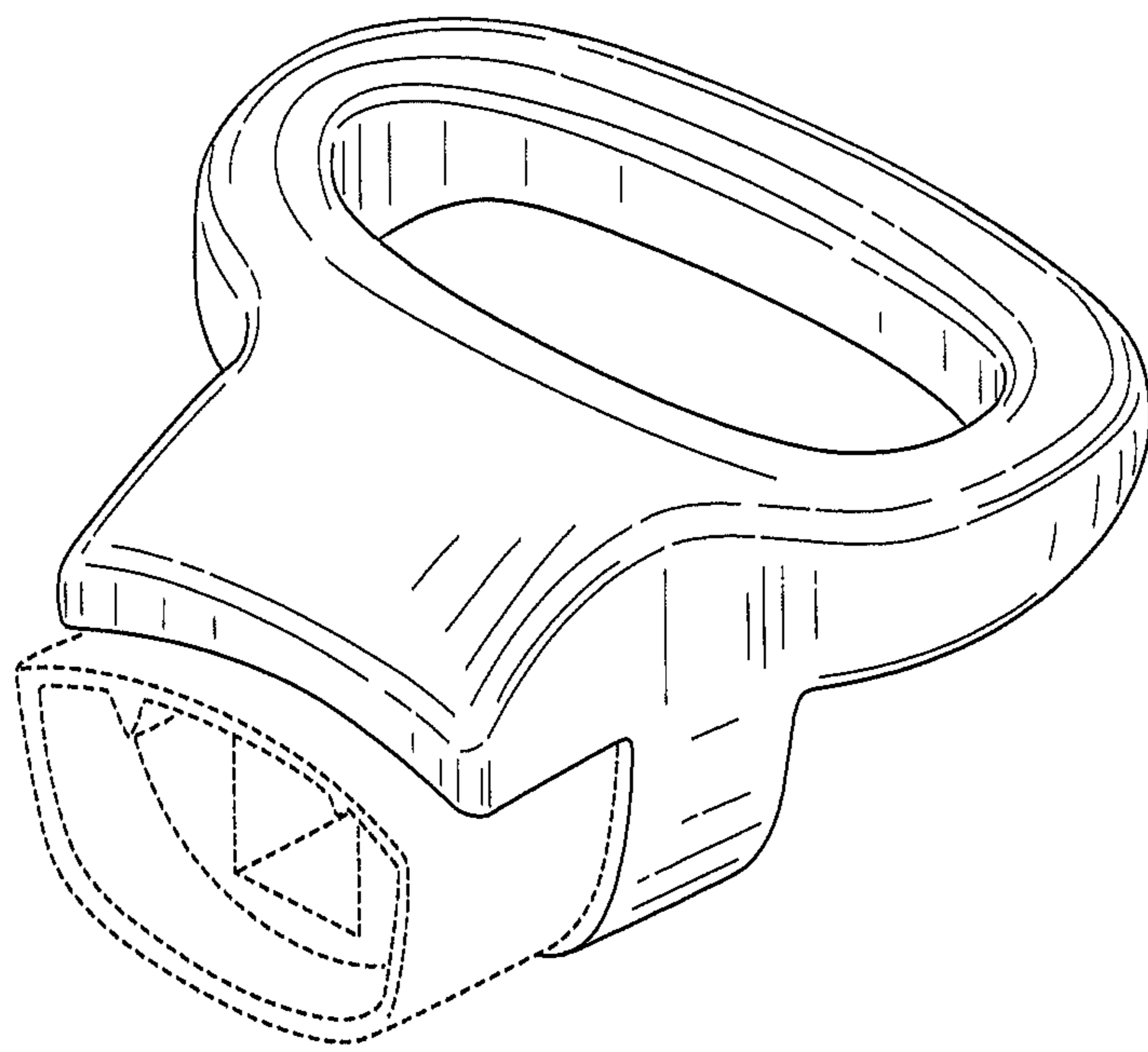
(56) **References Cited**

**U.S. PATENT DOCUMENTS**

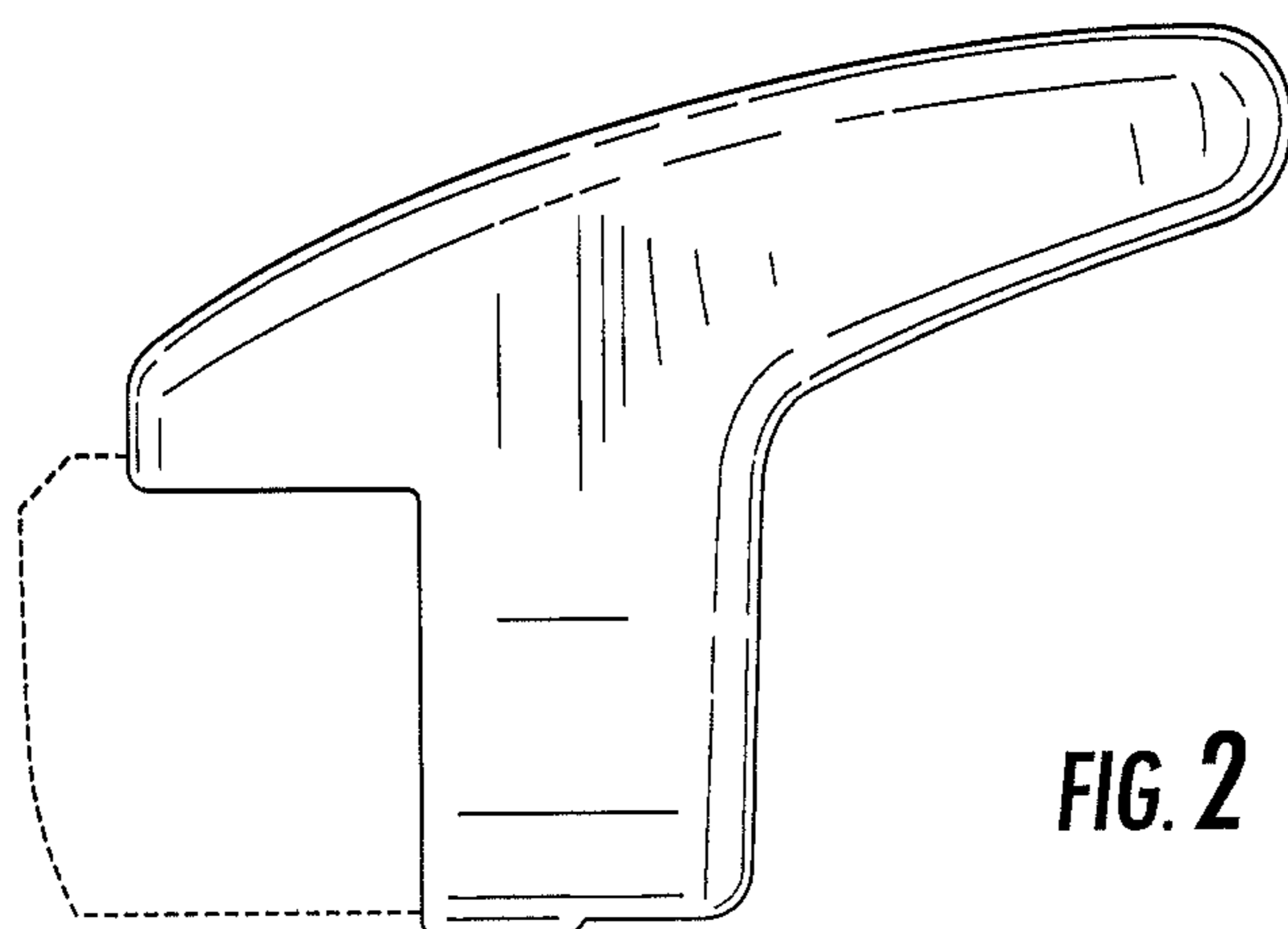
D391,444 S *	3/1998	Munari	.....	D7/394
D395,376 S *	6/1998	Montgelard	.....	D7/393

**1 Claim, 3 Drawing Sheets**

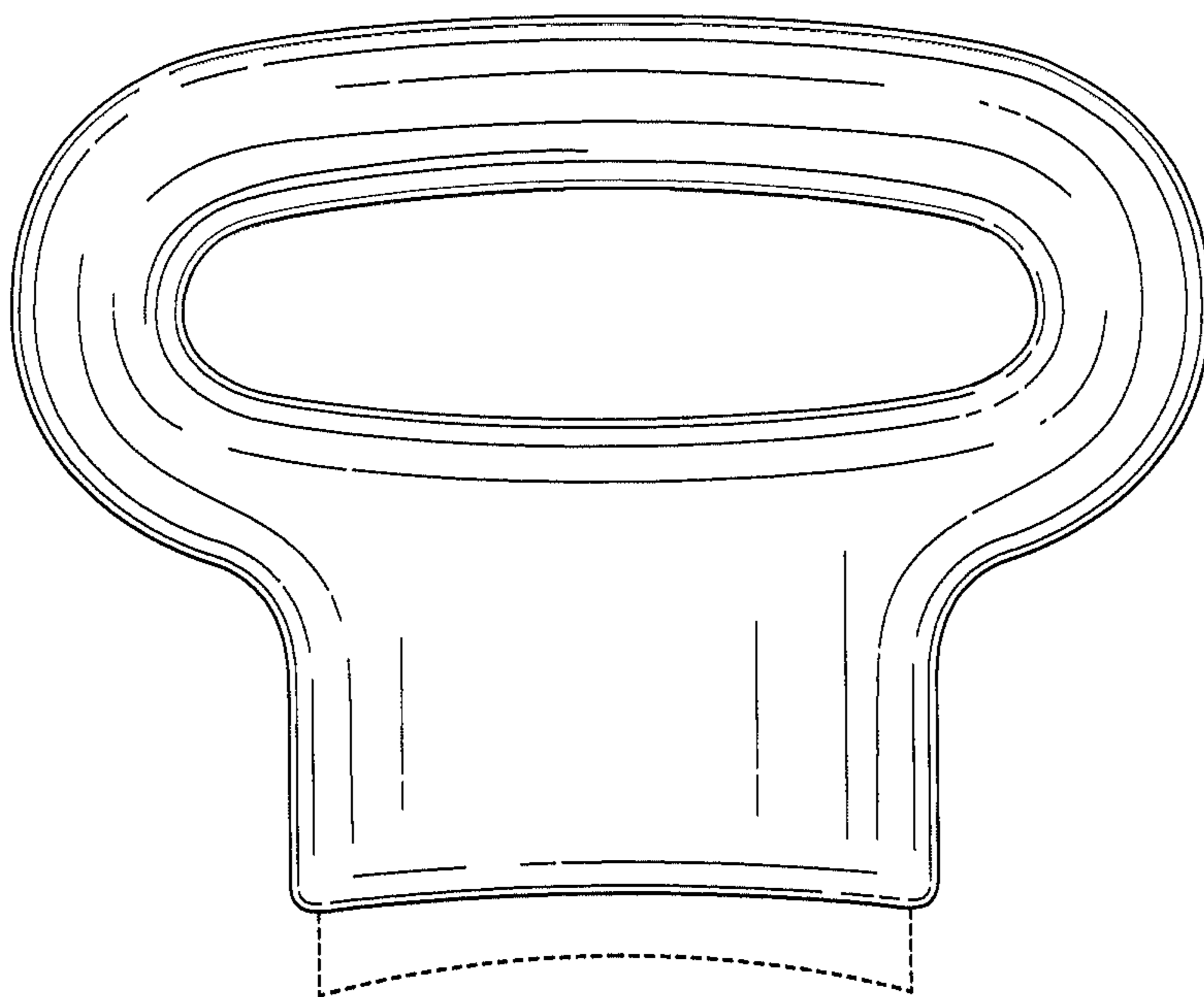




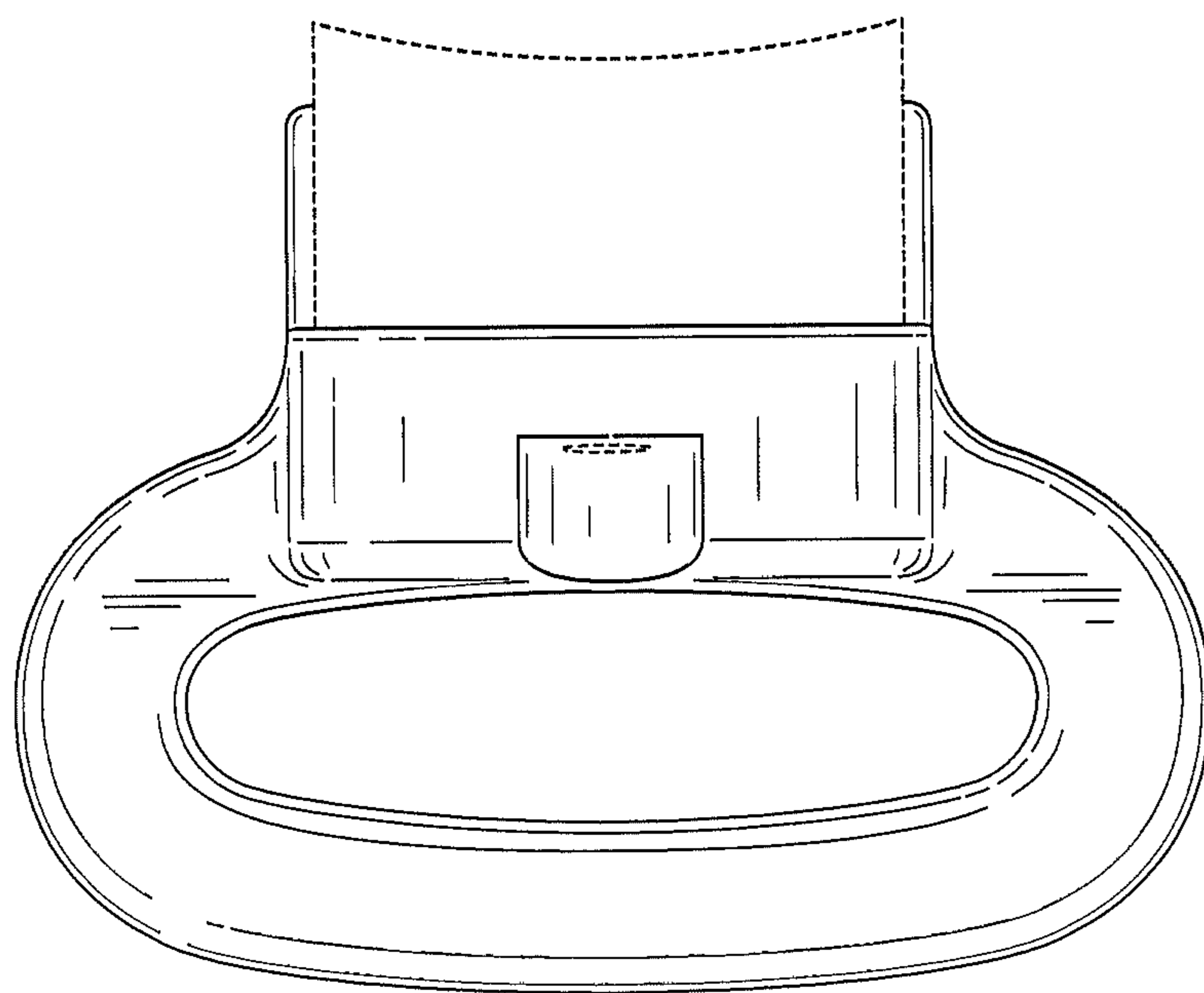
**FIG. 1**



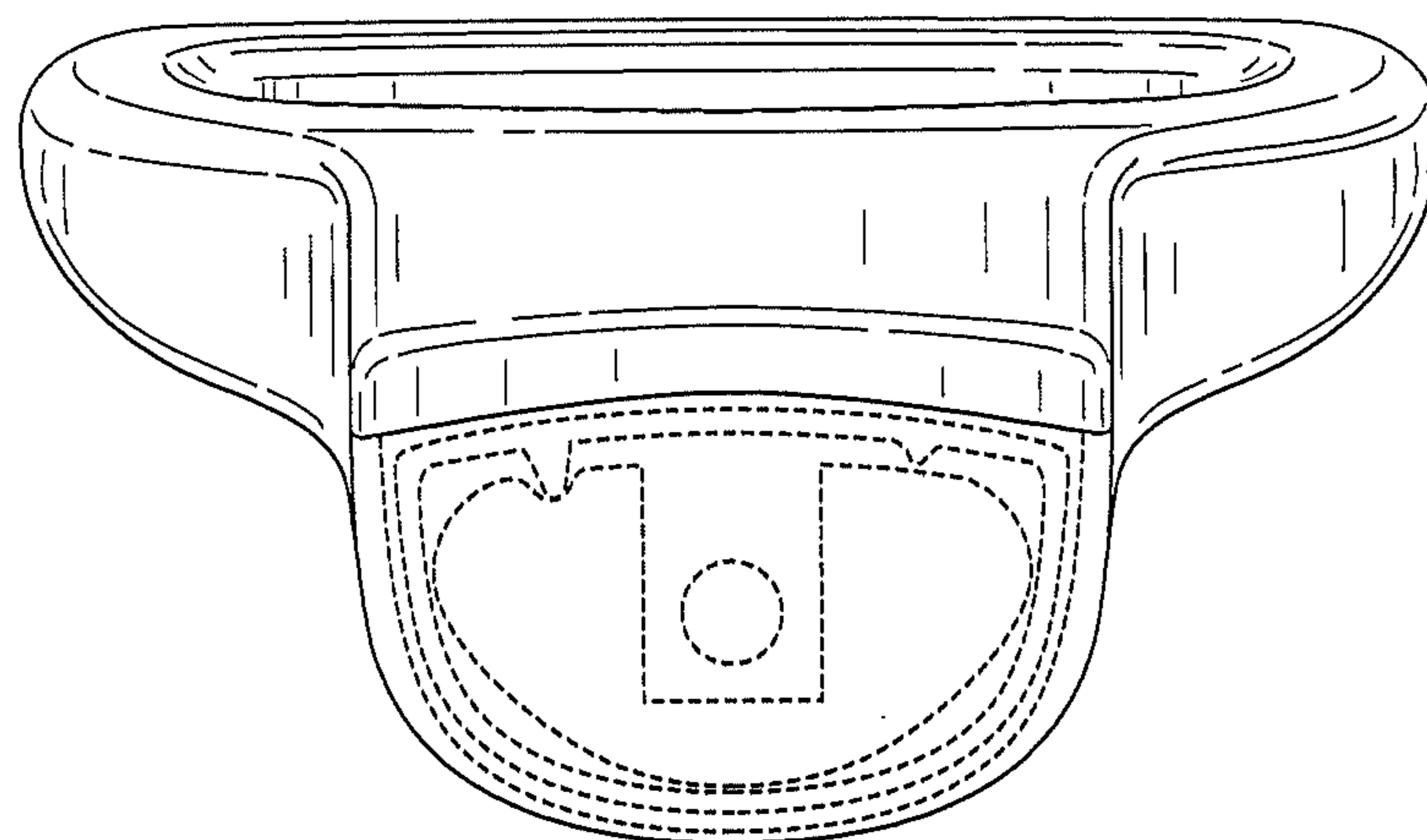
**FIG. 2**



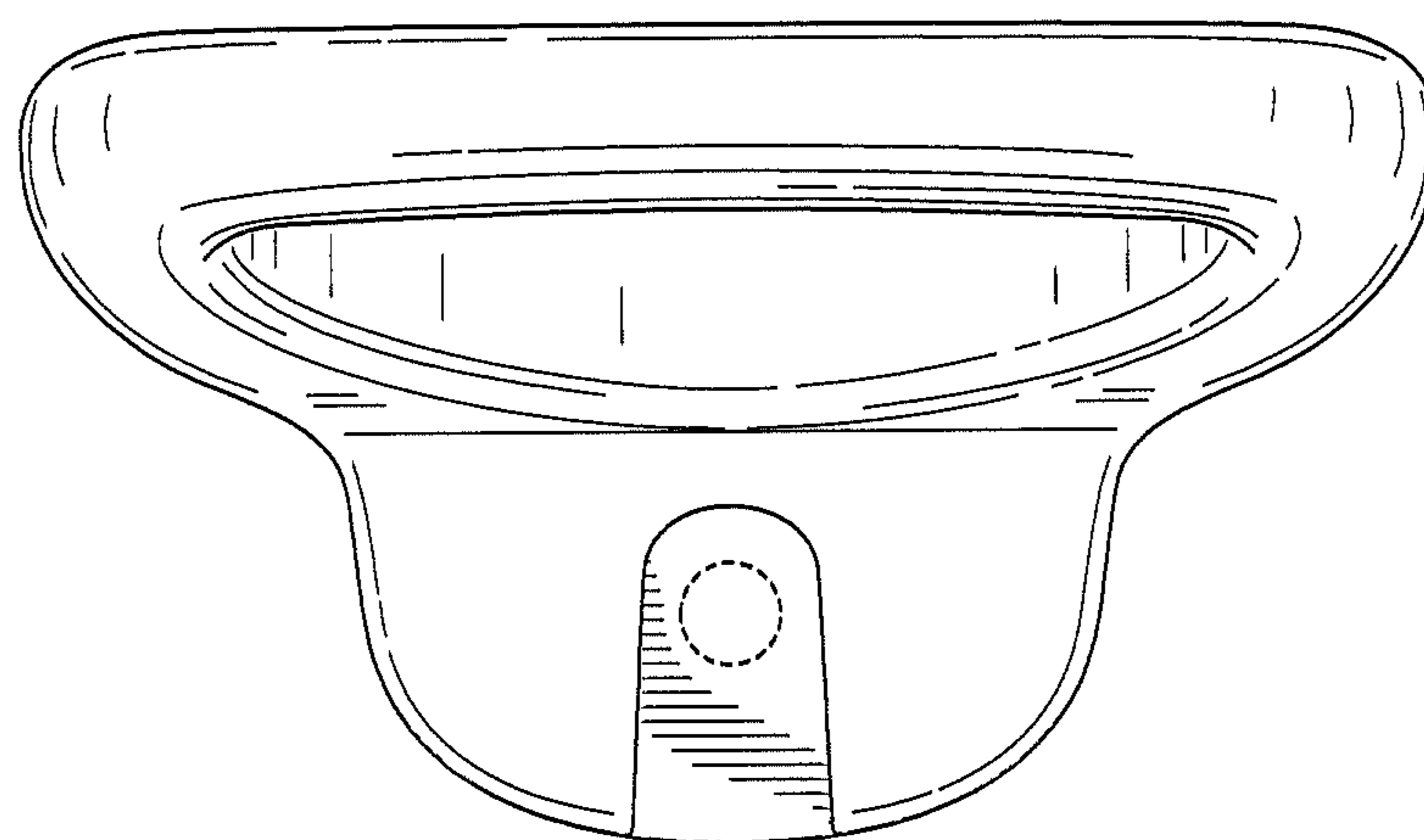
**FIG. 3**



**FIG. 4**



**FIG. 5**



**FIG. 6**