



US00D728991S

(12) **United States Design Patent**  
**Hasegawa**

(10) **Patent No.:** **US D728,991 S**

(45) **Date of Patent:** **\*\* May 12, 2015**

(54) **ROLLING MAT FOR COOKING**

(71) Applicant: **Hasegawa Corporation**, Chiba (JP)

(72) Inventor: **Toshikazu Hasegawa**, Chiba (JP)

(73) Assignee: **Hasegawa Corporation**, Chiba (JP)

(\*\*) Term: **14 Years**

(21) Appl. No.: **29/461,704**

(22) Filed: **Jul. 26, 2013**

(30) **Foreign Application Priority Data**

Apr. 26, 2013 (JP) ..... 2013-009448

(51) **LOC (10) Cl.** ..... **07-01**

(52) **U.S. Cl.**  
USPC ..... **D7/368**

(58) **Field of Classification Search**  
USPC ..... D7/368, 546, 388; 206/471; 99/426,  
99/450, 450.1-450.6; 220/9.2, 600;  
425/328, 643

See application file for complete search history.

(56) **References Cited**

**U.S. PATENT DOCUMENTS**

D508,368 S \* 8/2005 Lion et al. .... D7/388  
D560,425 S \* 1/2008 Choi ..... D7/368  
D602,733 S \* 10/2009 Huber ..... D7/388  
D718,086 S \* 11/2014 Lewis et al. .... D7/391  
2005/0016389 A1 \* 1/2005 Kobayashi ..... 99/450.1

**FOREIGN PATENT DOCUMENTS**

JP D1476578 \* 7/2013  
JP D1476910 \* 7/2013

\* cited by examiner

*Primary Examiner* — Wan Laymon

*Assistant Examiner* — Mark Booker

(74) *Attorney, Agent, or Firm* — Cermak Nakajima & McGowan LLP; Tomoko Nakajima

(57) **CLAIM**

The ornamental design for a rolling mat for cooking, as shown and described.

**DESCRIPTION**

FIG. 1 is a front elevational view of a rolling mat for cooking showing my new design;

FIG. 2 is a rear elevational view thereof;

FIG. 3 is a top plan view thereof;

FIG. 4 is a bottom plan view thereof;

FIG. 5 is a right side elevational view thereof, a left side elevational view thereof being a mirror image;

FIG. 6 is a front perspective view thereof; and

FIG. 7 is a rear perspective view thereof.

FIG. 8 is a partially enlarged view thereof taken along lines 8-8 of FIG. 1;

FIG. 9 is a partially enlarged view thereof taken along lines 9-9 of FIG. 2;

FIG. 10 is a partially enlarged view thereof taken along lines 10-10 of FIG. 3;

FIG. 11 is a partially enlarged view thereof taken along lines 11-11 of FIG. 4

FIG. 12 is a partially enlarged view thereof taken along a line 12-12 of FIG. 8;

FIG. 13 is a partially enlarged cross sectional view thereof taken along a line 13-13 of FIG. 8;

FIG. 14 is a partially enlarged view thereof taken along lines 14-14 of FIG. 6; and,

FIG. 15 is a partially enlarged view thereof taken along lines 15-15 of FIG. 7.

**1 Claim, 15 Drawing Sheets**

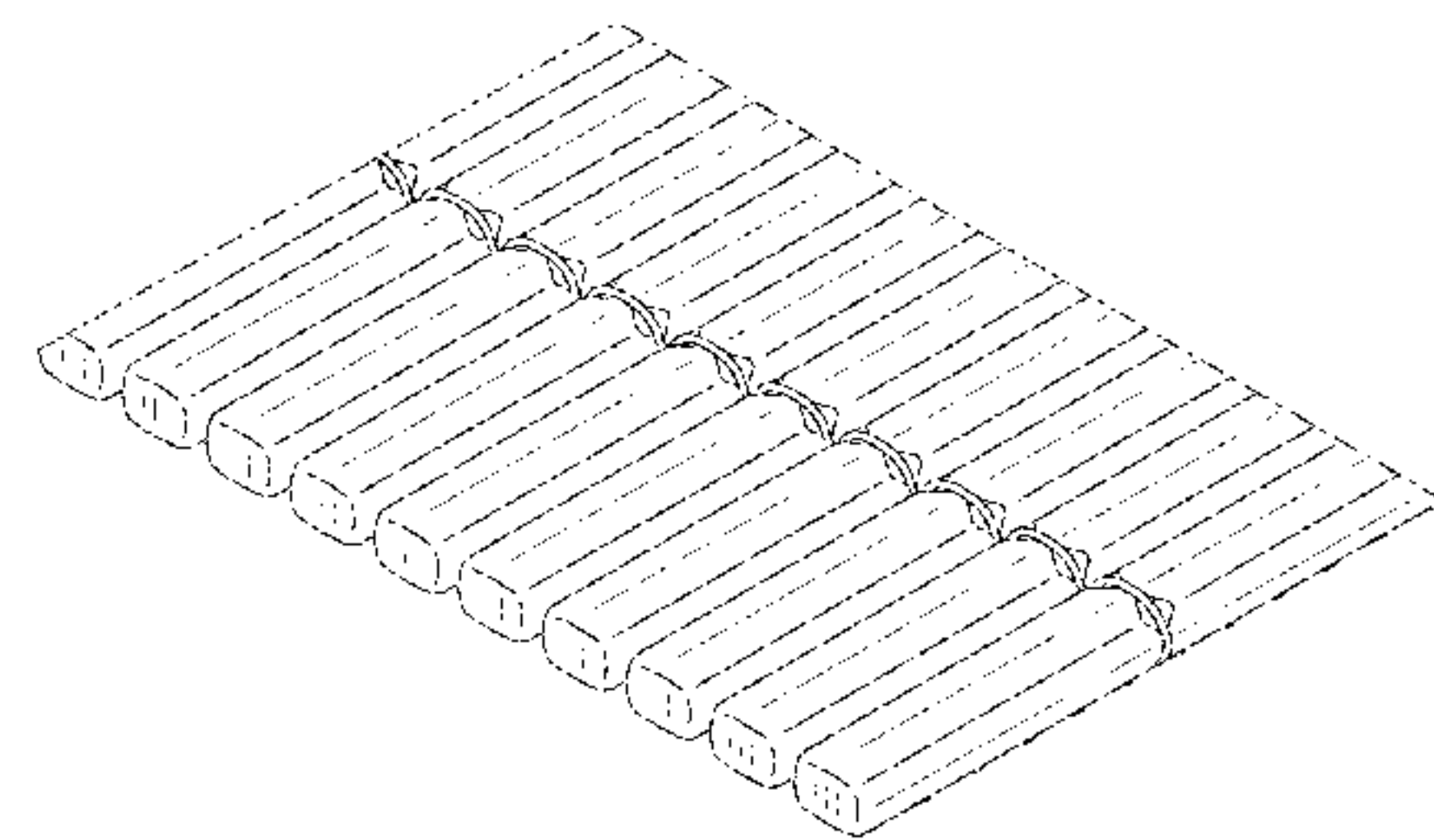
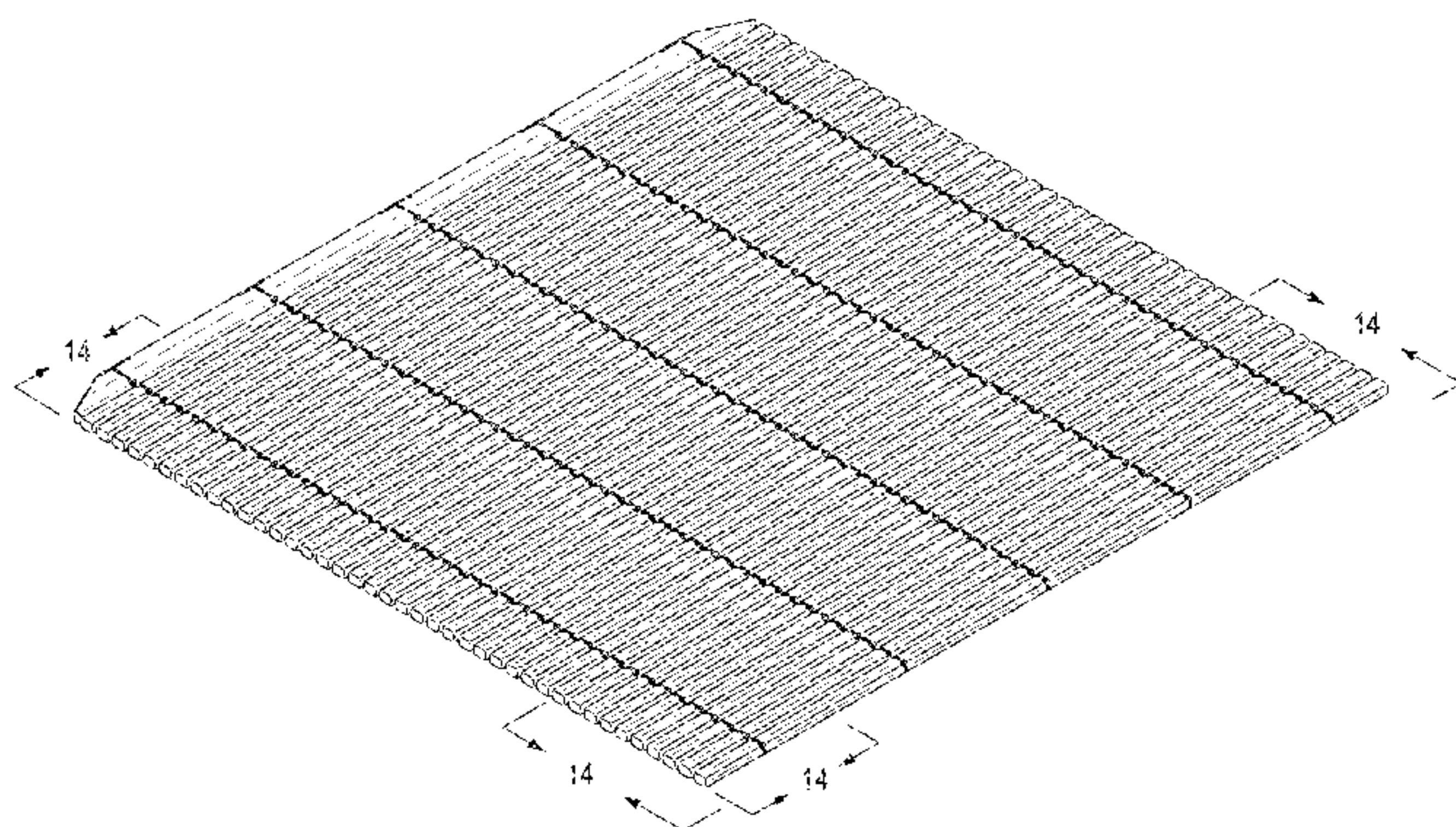


FIG. 1

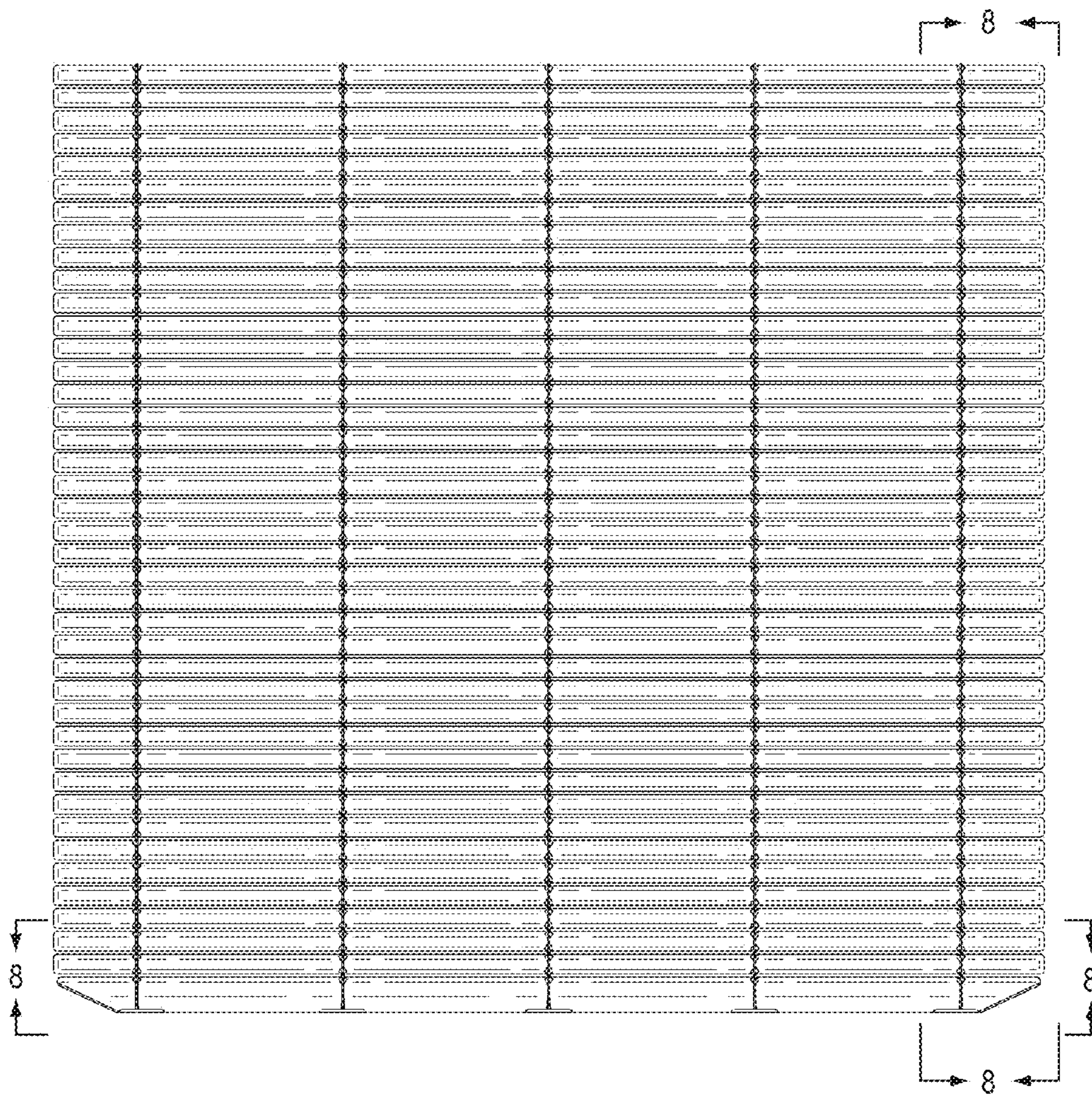




FIG.2

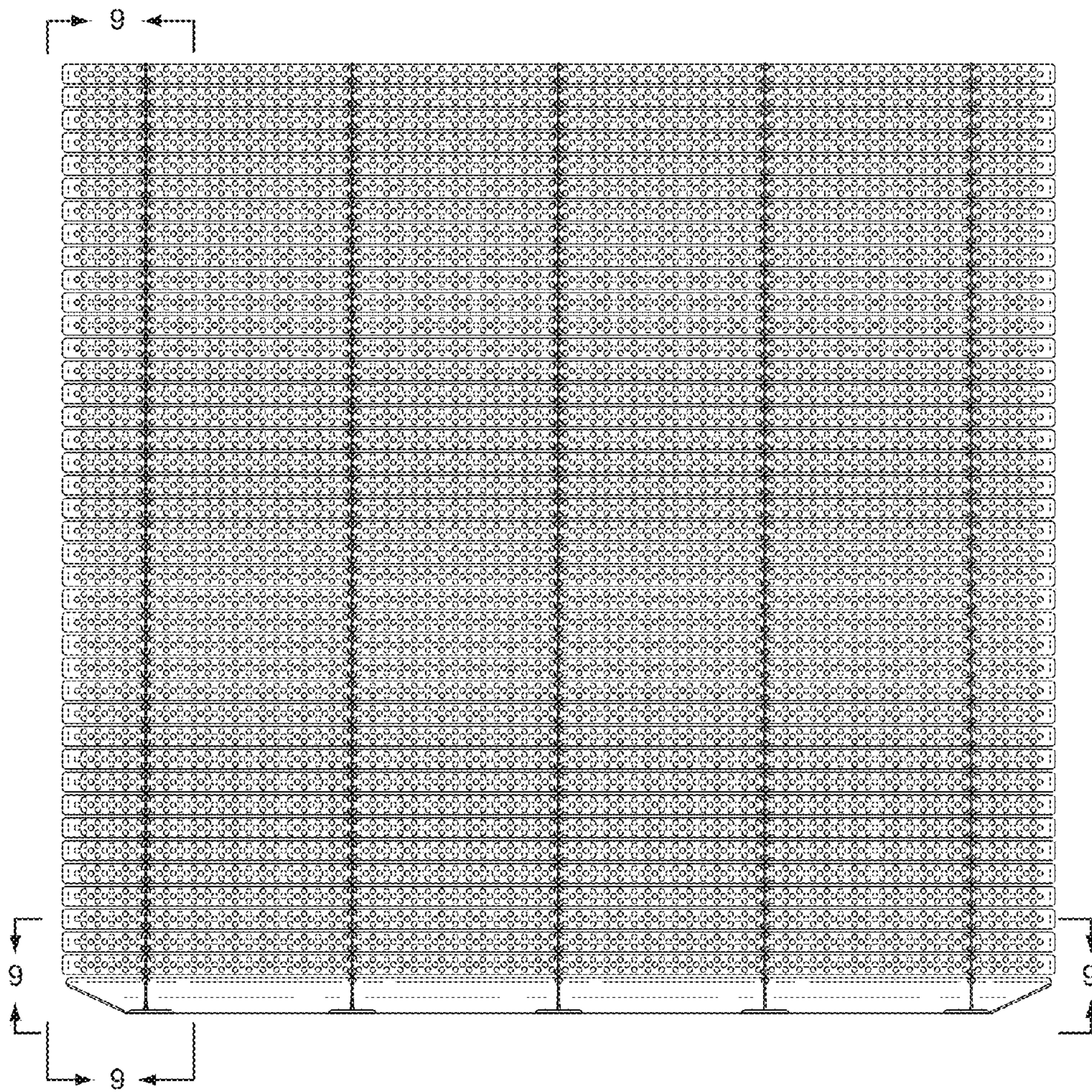


FIG.3

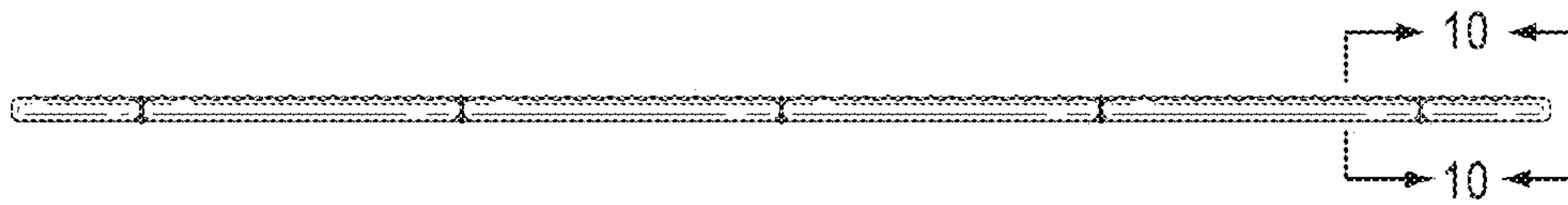


FIG.4

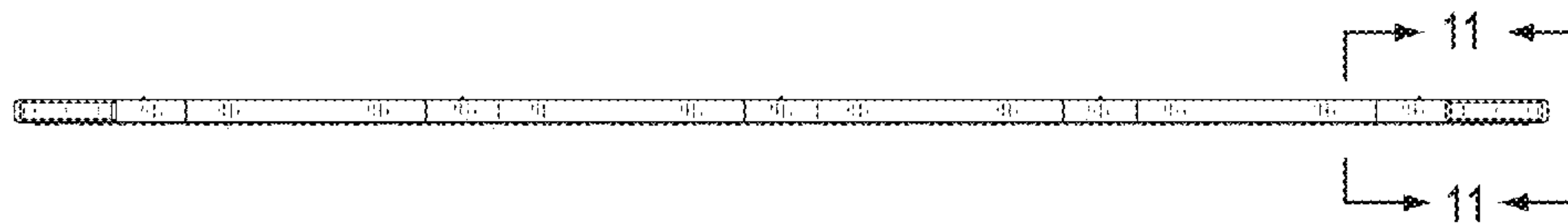




FIG.5



FIG.6

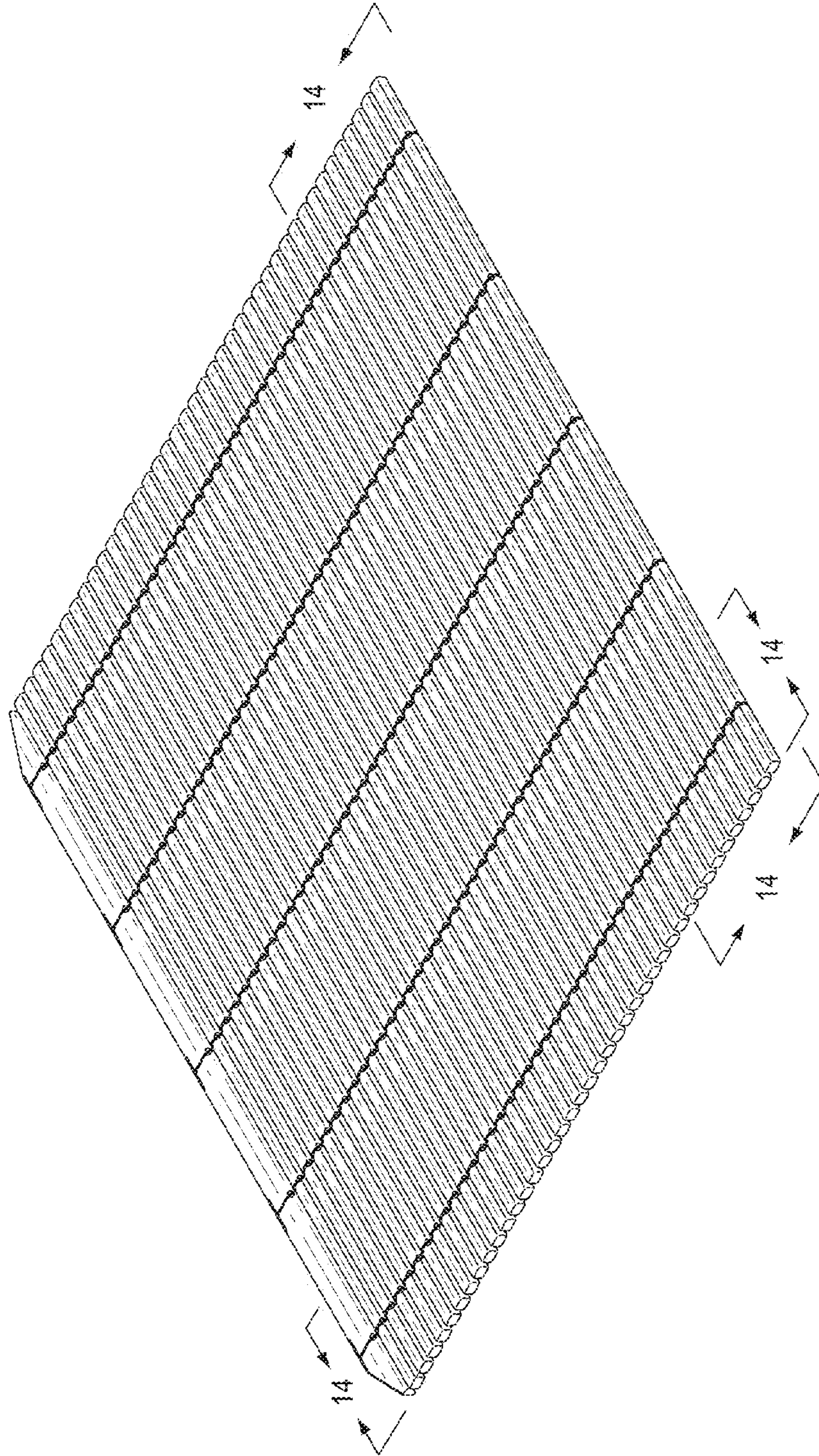




FIG.7

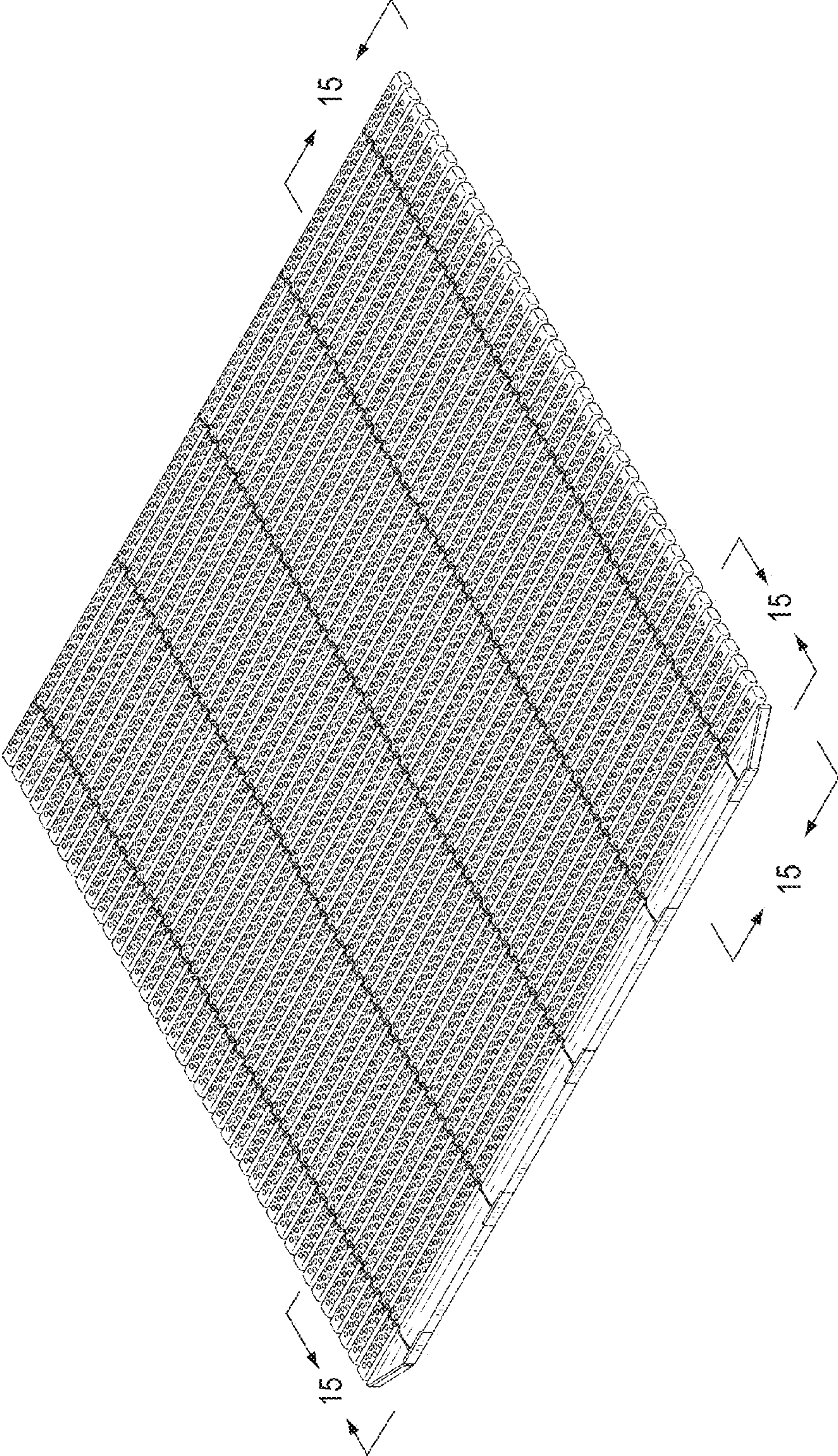




FIG.8

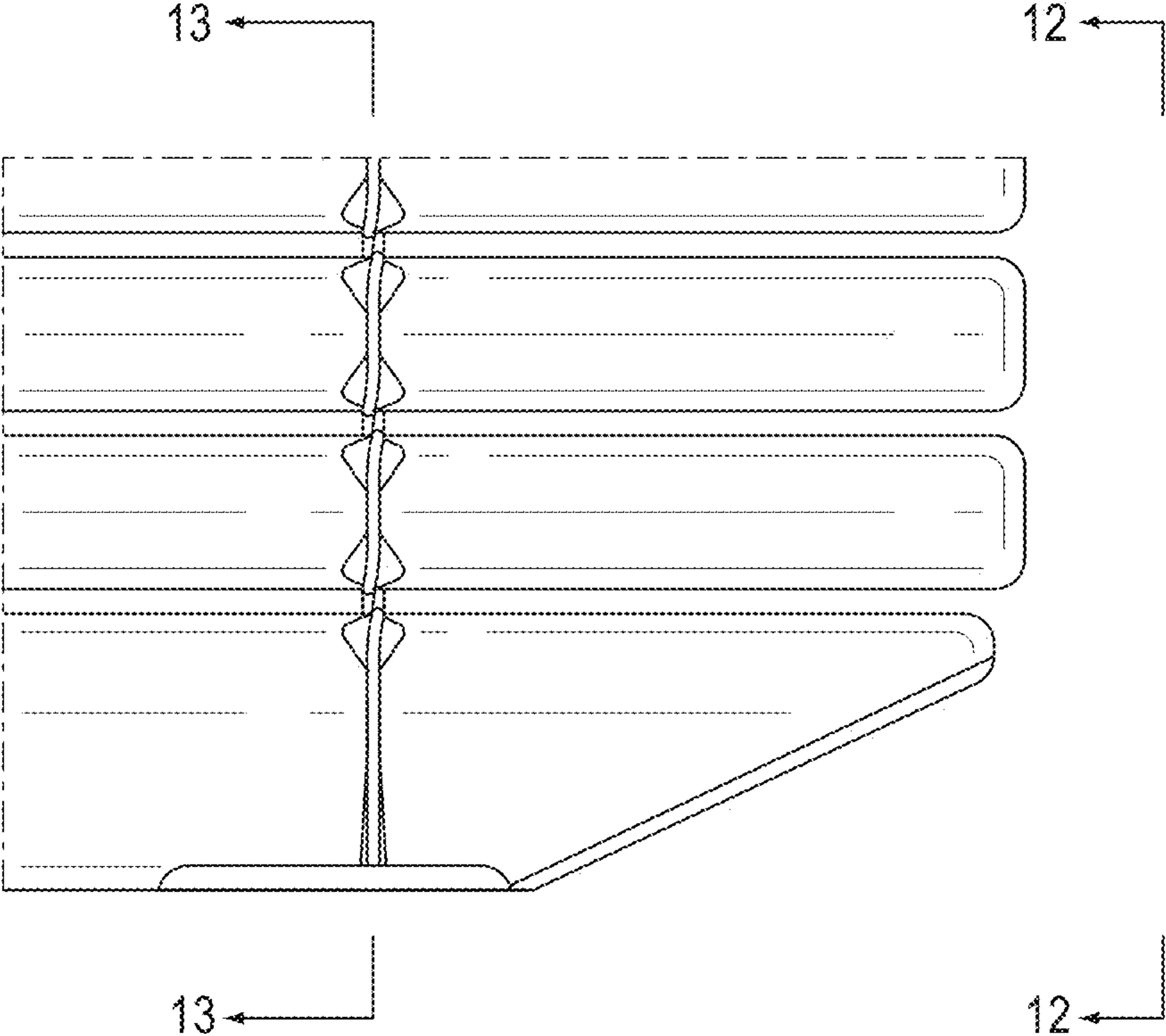


FIG.9

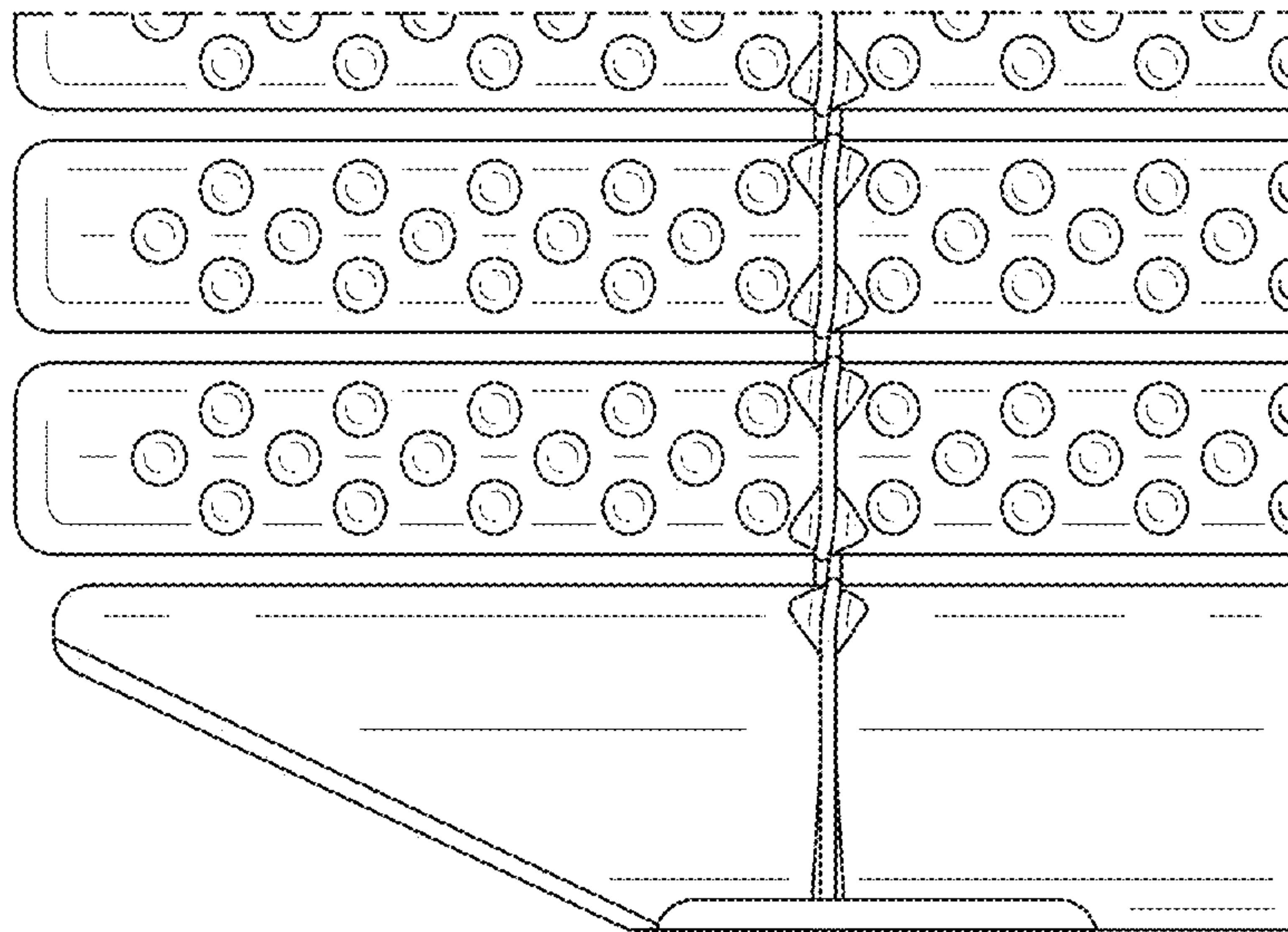




FIG.10

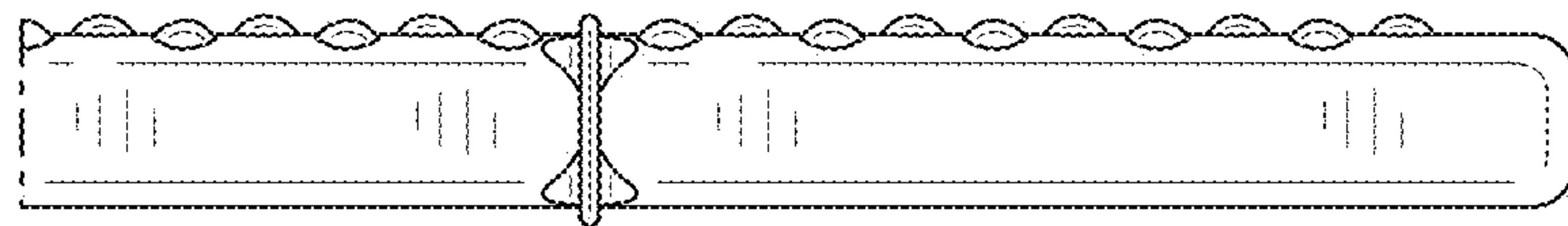


FIG.11

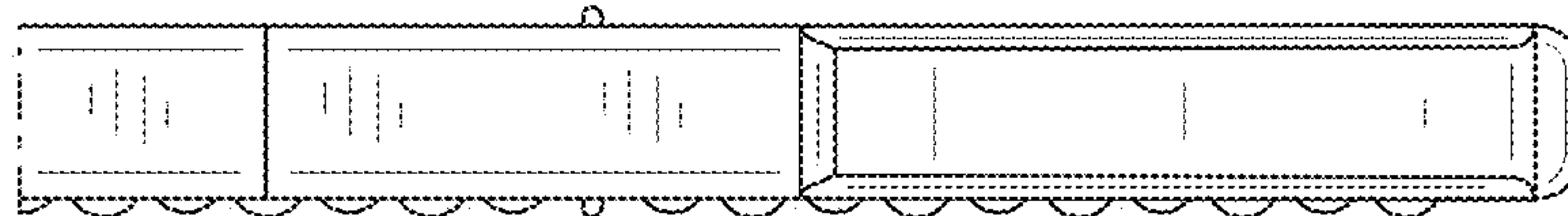




FIG. 12

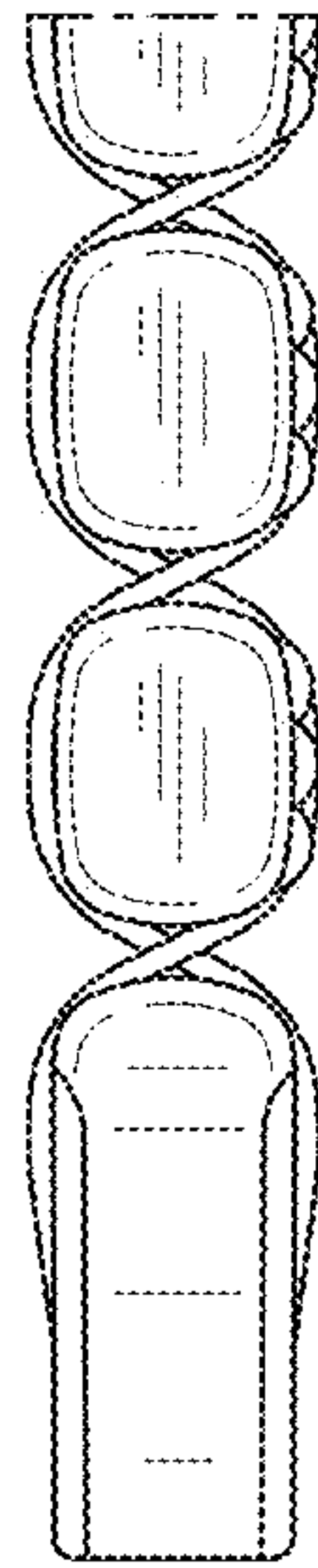


FIG. 13

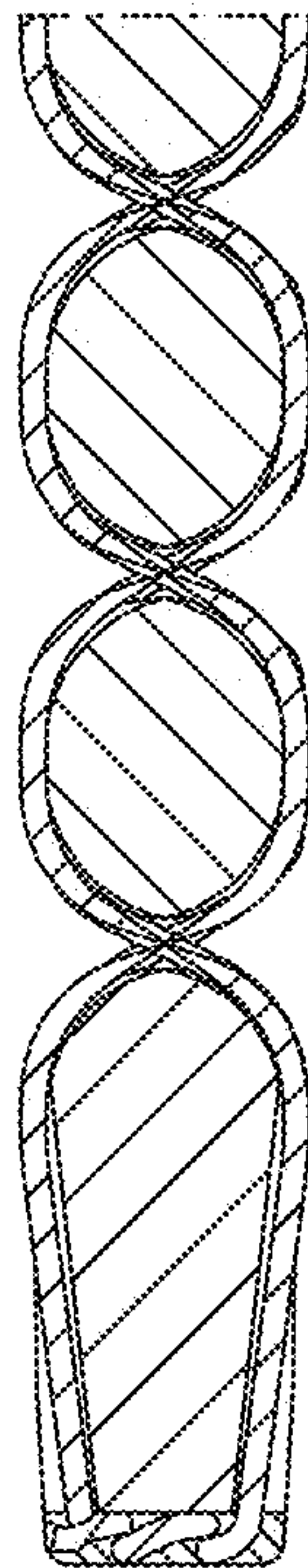




FIG.14

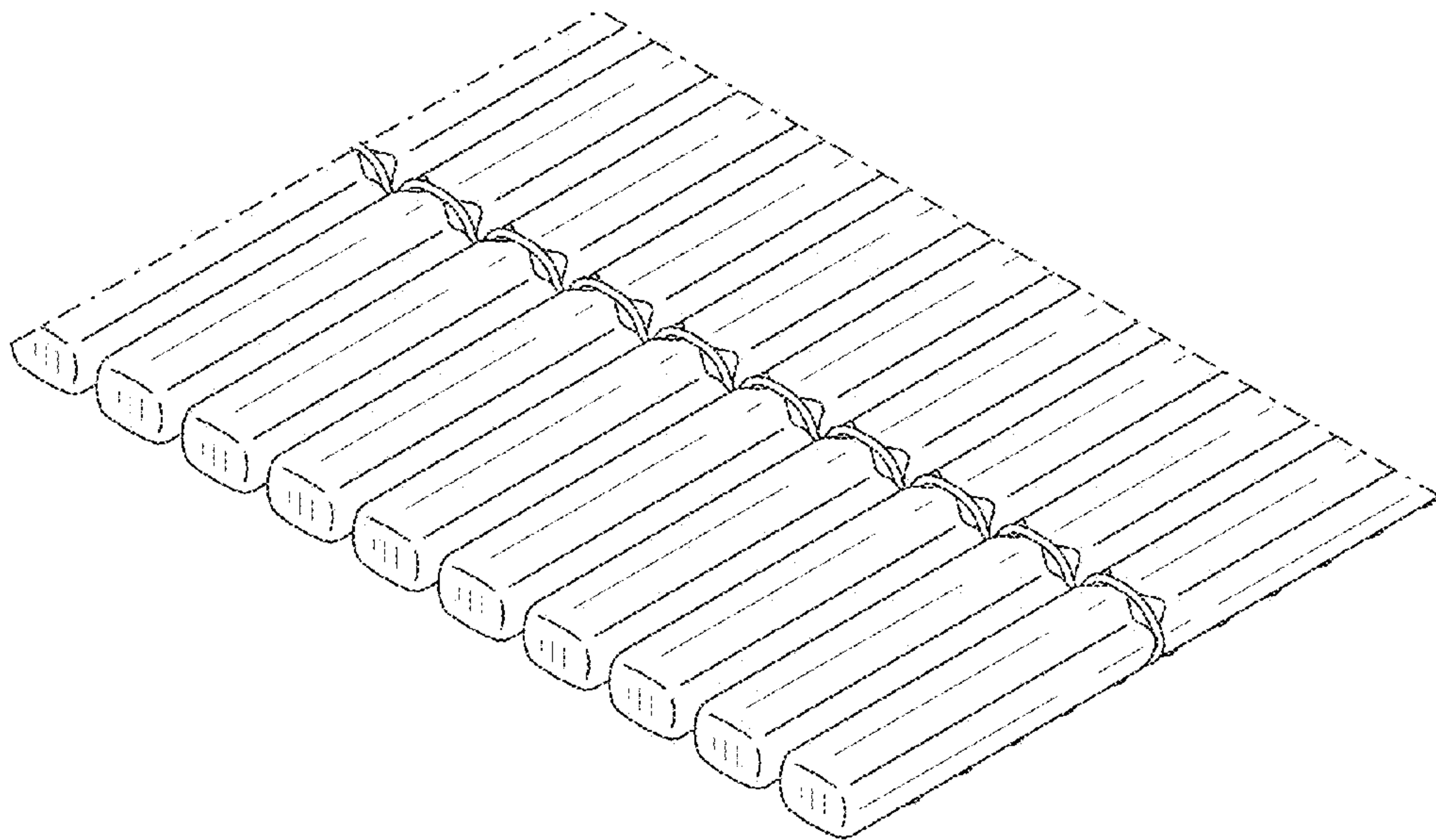


FIG. 15

