



US00D728990S

(12) **United States Design Patent**
Torre

(10) **Patent No.:** **US D728,990 S**

(45) **Date of Patent:** **** May 12, 2015**

(54) **COOKWARE UTENSIL WITH SELECTIVELY INTERLOCKED COMPONENT PARTS**

(71) Applicant: **Salvatore Torre**, Lafayette, NJ (US)

(72) Inventor: **Salvatore Torre**, Lafayette, NJ (US)

(**) Term: **14 Years**

(21) Appl. No.: **29/486,085**

(22) Filed: **Mar. 26, 2014**

(51) **LOC (10) Cl.** **07-02**

(52) **U.S. Cl.**

USPC **D7/352**; D7/354; D7/361

(58) **Field of Classification Search**

CPC A21B 5/023; A47J 27/60; A47J 27/62;
A47J 37/04; A47J 37/06; A47J 37/067;
A47J 37/0605; A47J 37/0611; A47J 37/0623;
A47J 37/0629; A47J 37/0676; A47J 37/10;
A47J 2037/06; A47J 2037/0611; B65D
43/162; F24C 15/10; F24C 15/102; H05B
3/68; H05B 6/02; H05B 6/062
USPC D7/323, 328-330, 337, 347, 352-364,
D7/367, 402, 409-411; 99/324-326, 331,
99/339, 349, 356-357, 372-379, 424,
99/444-446; 219/386, 450.1, 472,
219/524-525, 620-622, 732-734;
220/4.21, 4.22

See application file for complete search history.

(56) **References Cited**

U.S. PATENT DOCUMENTS

740,050 A 9/1903 Shults
1,072,892 A 9/1913 Wilson
1,264,475 A * 4/1918 Baler 220/4.22
1,568,798 A * 1/1926 Caver 220/4.21
D173,897 S * 1/1955 Cunningham D7/356

D231,069 S * 4/1974 Boldt D7/356
3,963,898 A * 6/1976 Tuckwell 219/524
D252,493 S * 7/1979 Barradas D7/361
4,773,318 A * 9/1988 Furletti 99/424
D339,501 S * 9/1993 Haynes D7/361
D473,416 S 4/2003 Bart
6,681,683 B2 * 1/2004 Bart 99/424
D536,921 S * 2/2007 Tarlow et al. D7/361
D541,583 S * 5/2007 Morgan D7/352
D682,008 S * 5/2013 Shahani D7/352
D693,168 S * 11/2013 Bart D7/352
2005/0167435 A1 8/2005 Whitmer
2007/0068955 A1 3/2007 Tetreault et al.
2009/0321446 A1 12/2009 Cheung

* cited by examiner

Primary Examiner — Ricky Pham

(74) *Attorney, Agent, or Firm* — Arthur Jacob

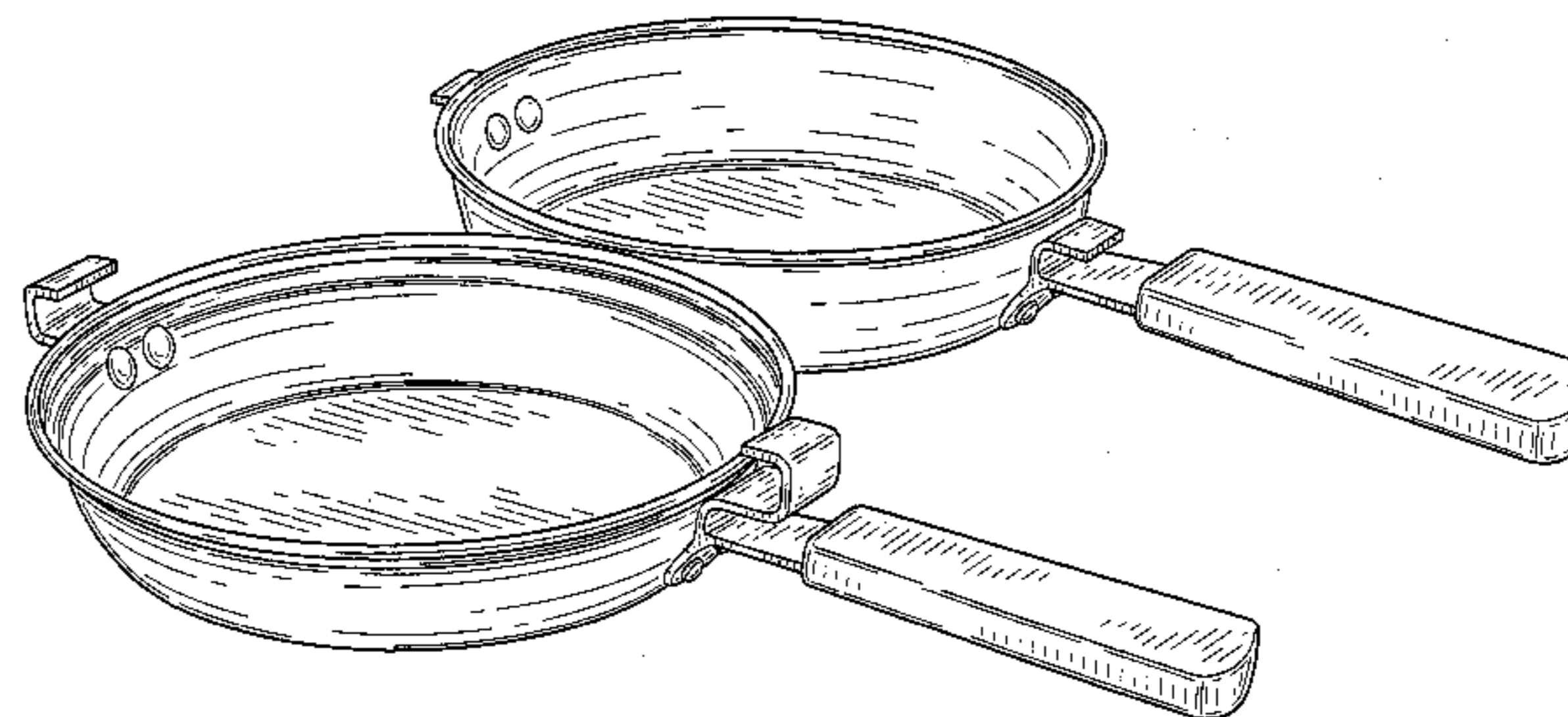
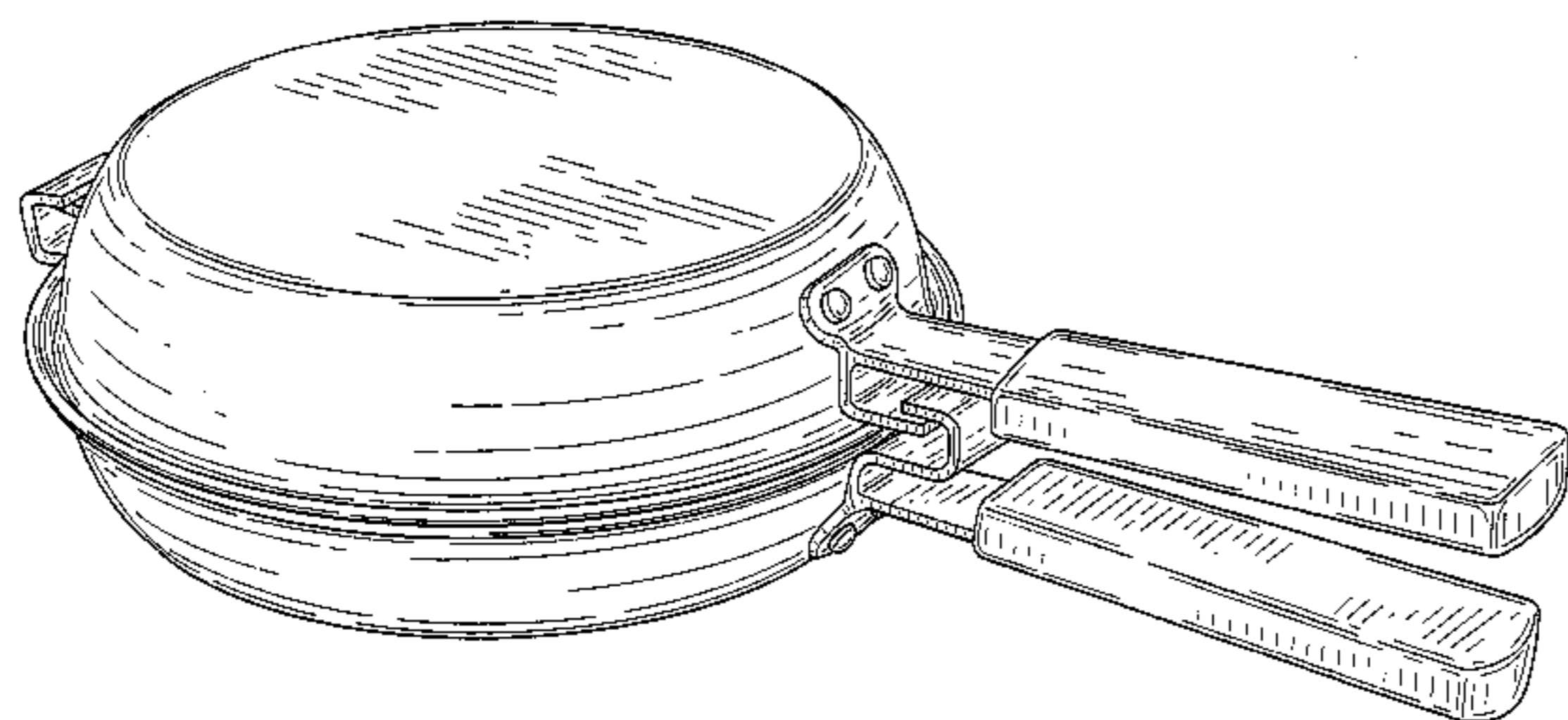
(57) **CLAIM**

The ornamental design for a cookware utensil with selectively interlocked component parts, as shown and described.

DESCRIPTION

FIG. 1 is a top, front and left-side pictorial view of a cookware utensil with selectively interlocked component parts showing my new design;
FIG. 2 is a front elevational view thereof;
FIG. 3 is a rear elevational view thereof;
FIG. 4 is a left side elevational view thereof, the right side elevational view being a mirror image thereof;
FIG. 5 is a top plan view thereof;
FIG. 6 is a bottom plan view thereof;
FIG. 7 is a top plan view thereof, showing the component parts in an unlocked position; and,
FIG. 8 is a top, front and left-side pictorial view thereof, showing the component parts unlocked and separated to illustrate interior contours.

1 Claim, 7 Drawing Sheets



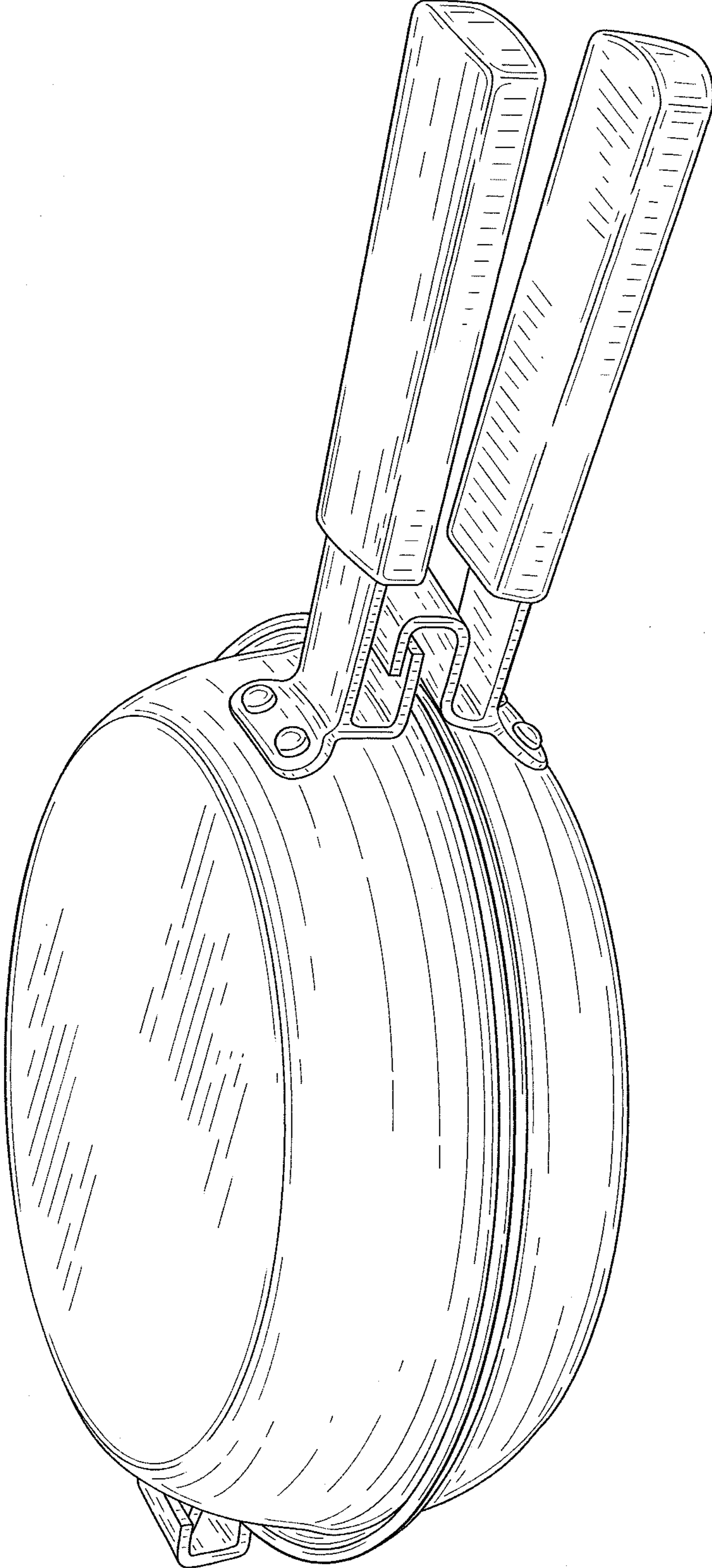


FIG. 1

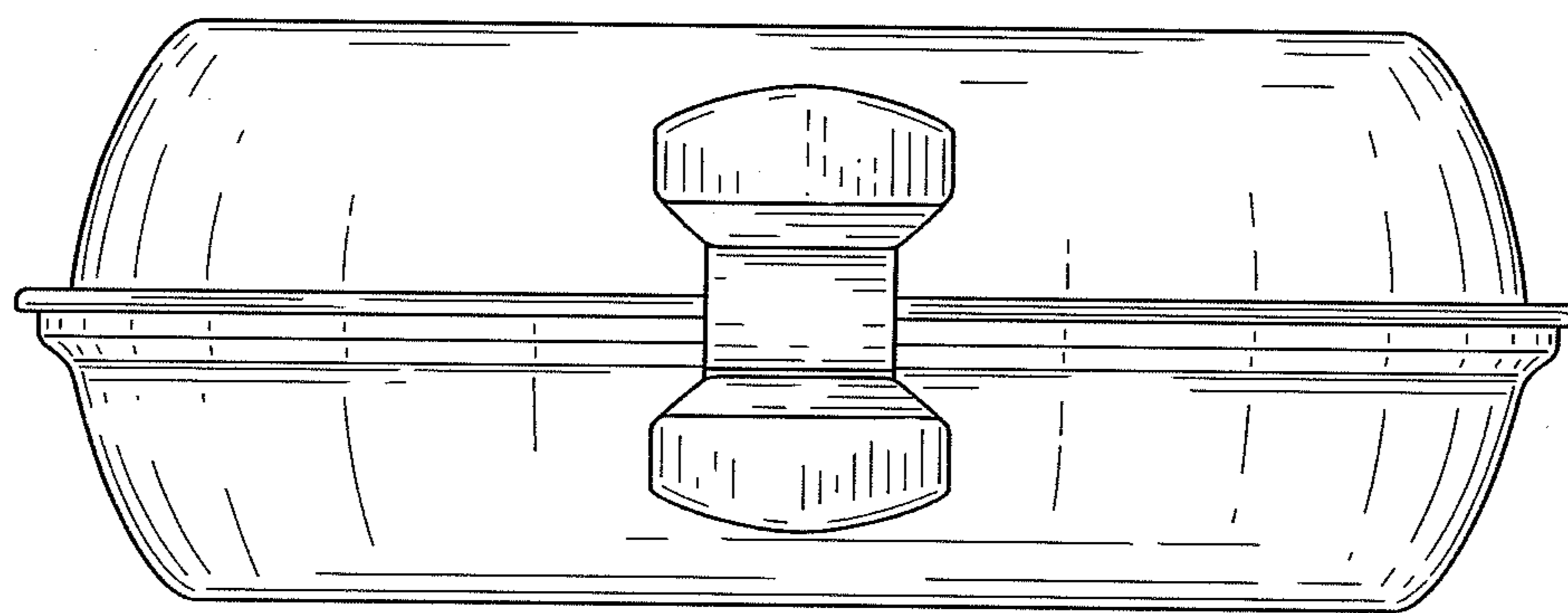


FIG. 2

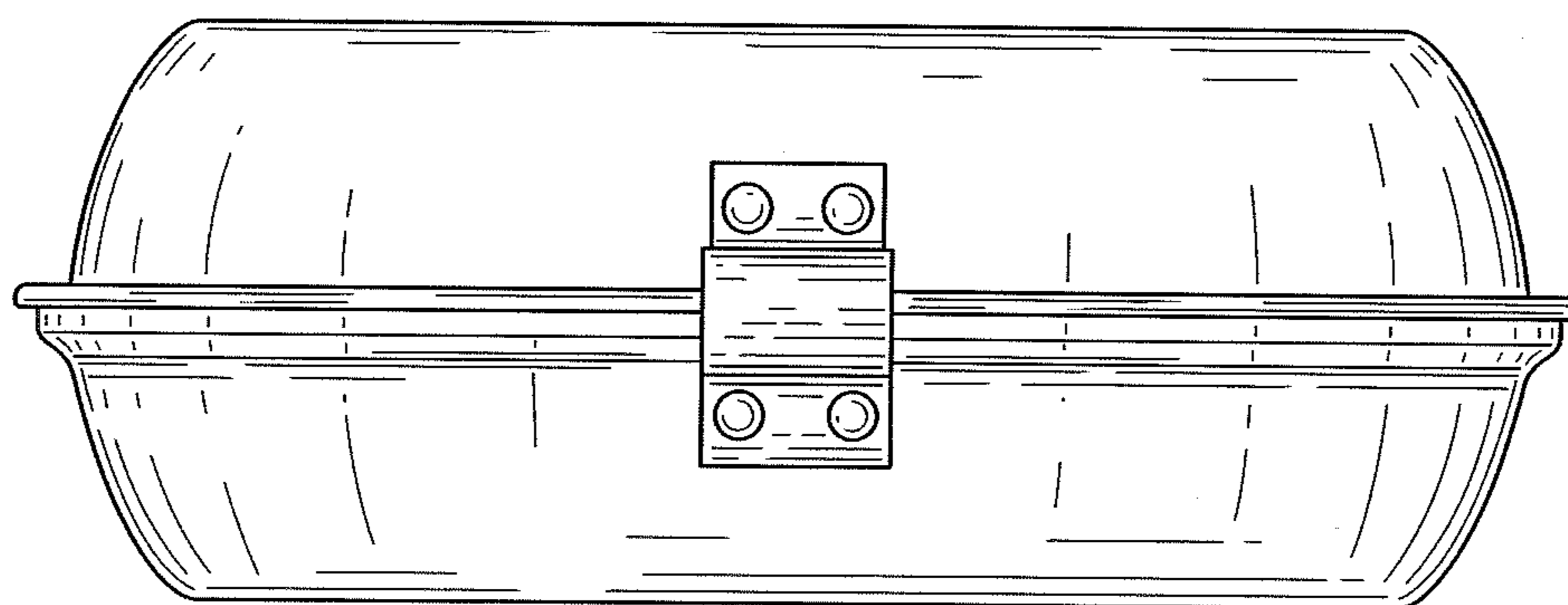


FIG. 3

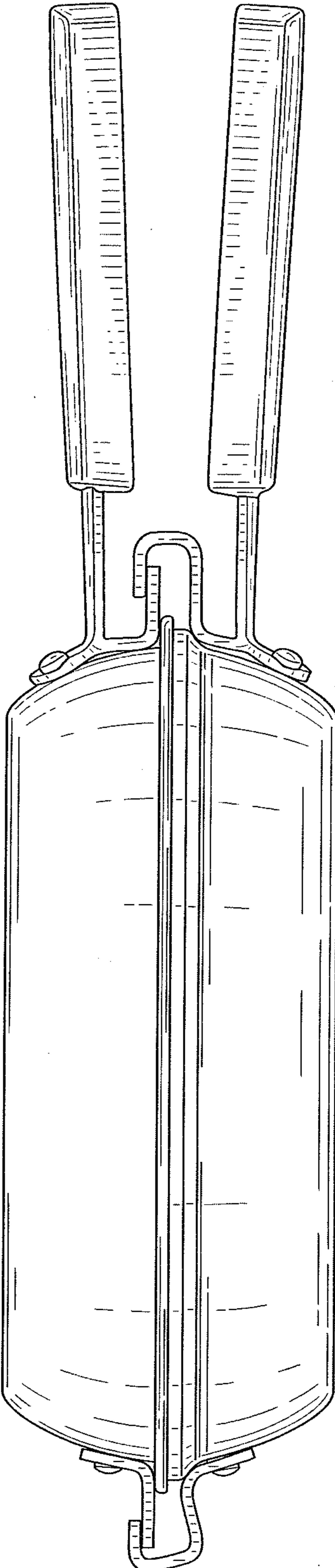


FIG. 4

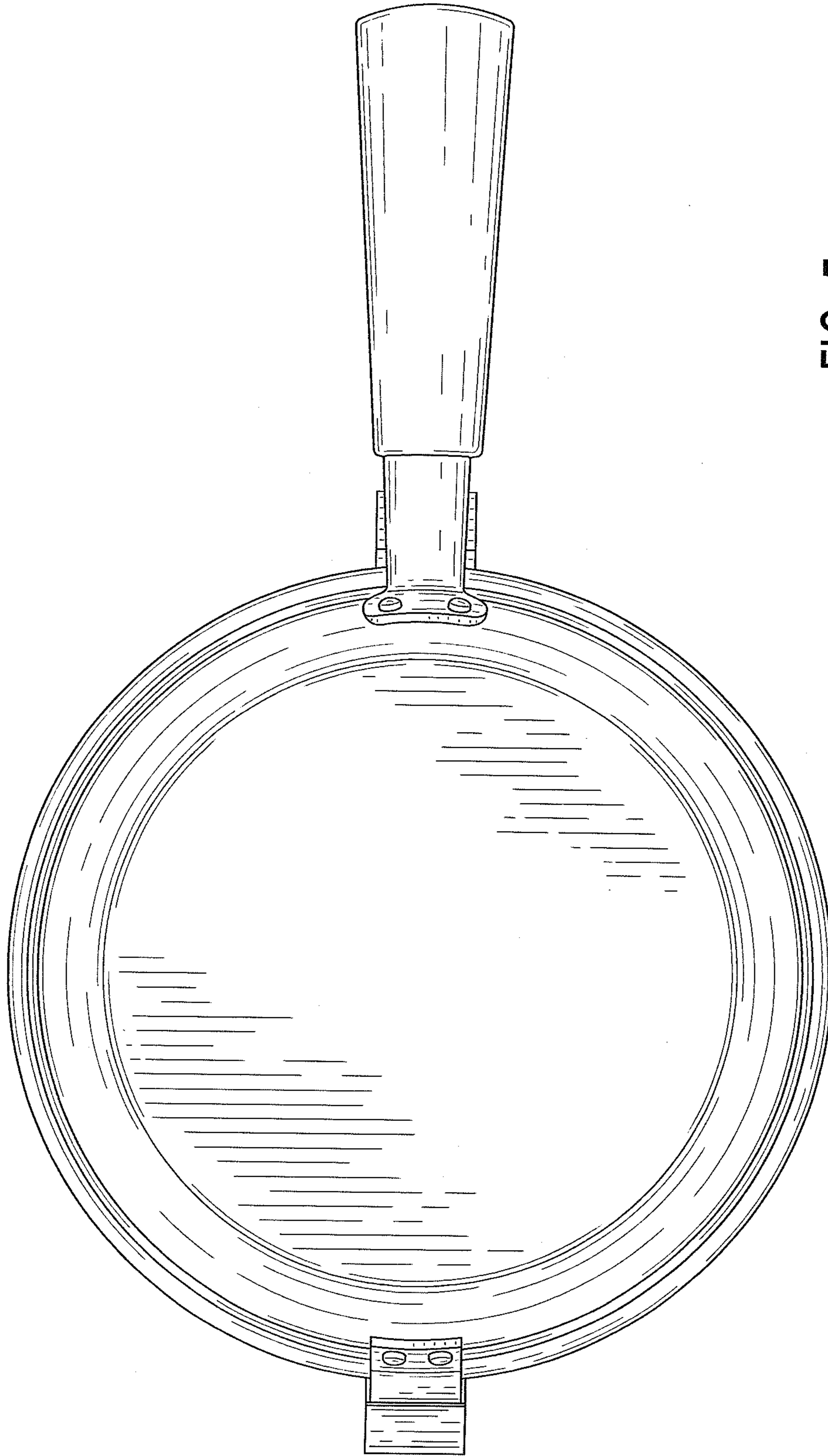


FIG. 5

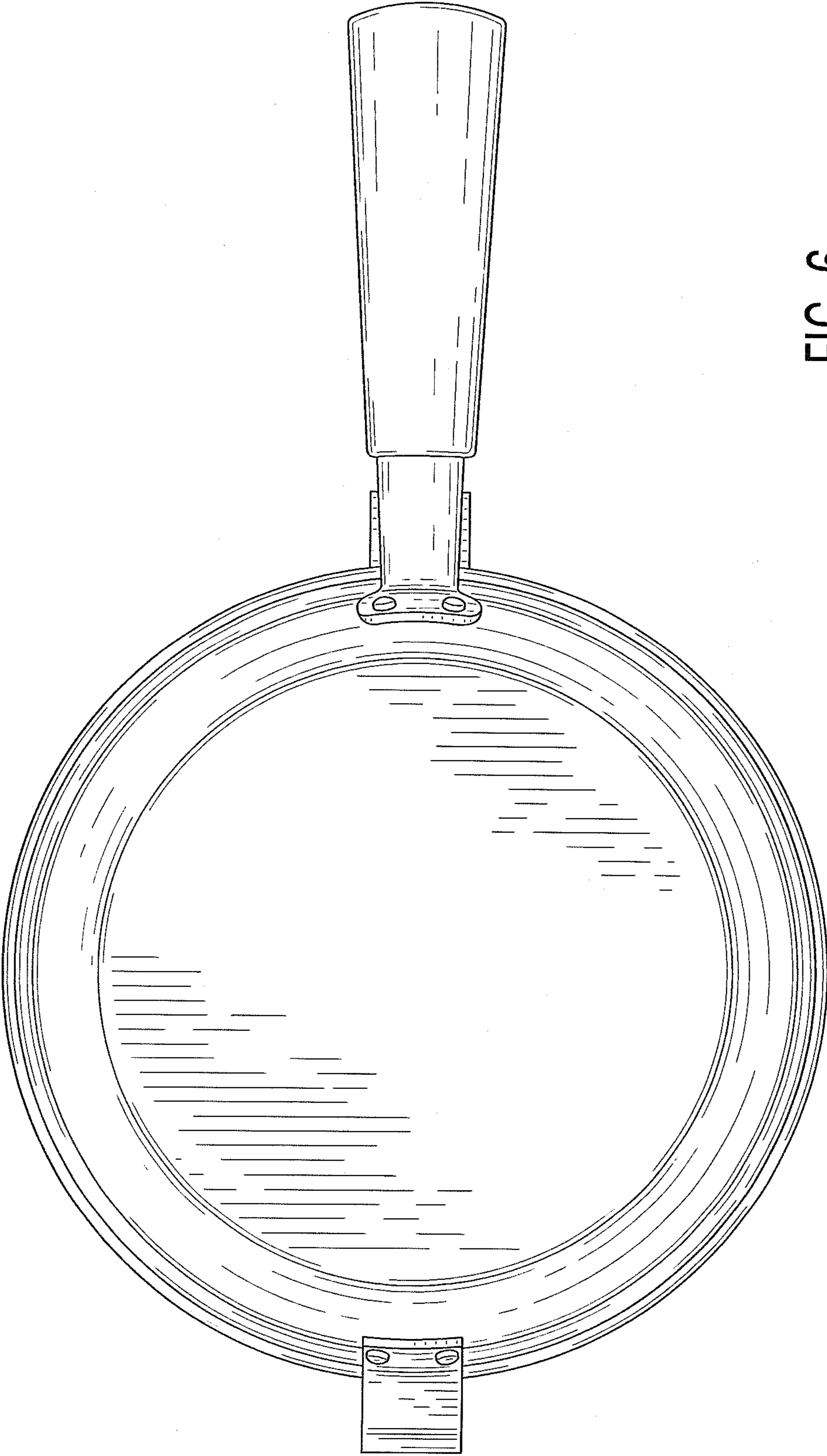


FIG. 6

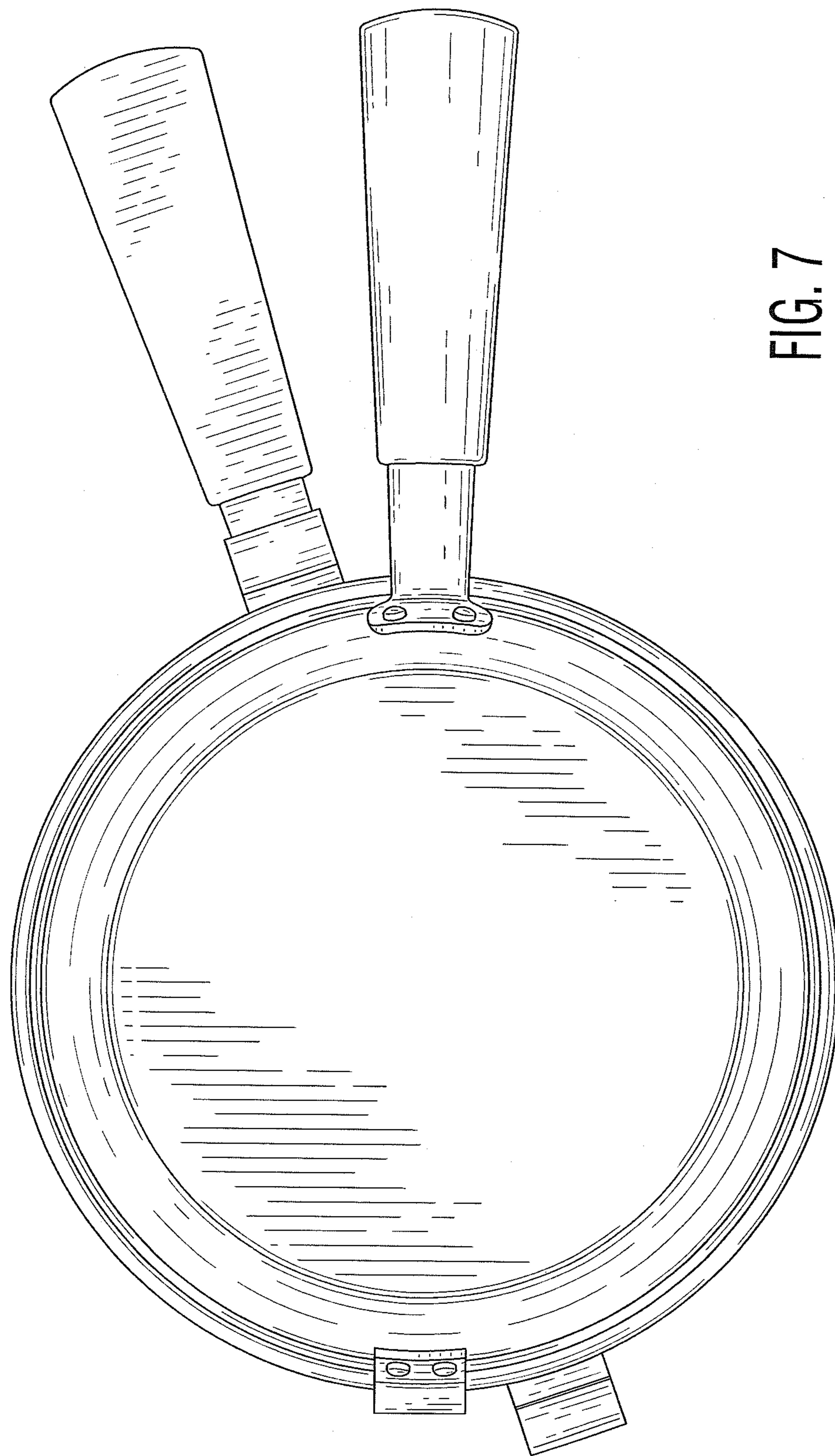


FIG. 7

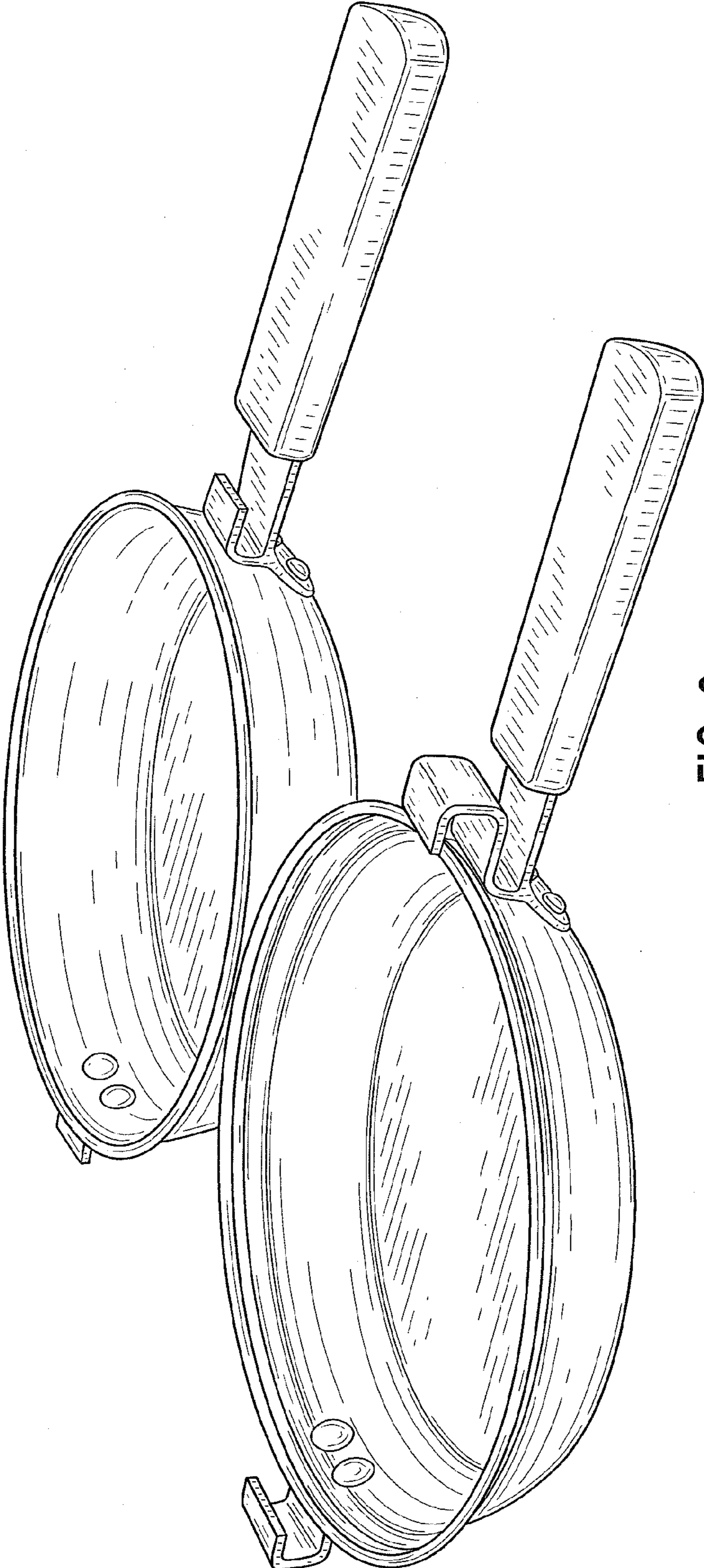


FIG. 8