



US00D728986S

(12) **United States Design Patent**  
**De'Longhi et al.**

(10) **Patent No.:** **US D728,986 S**

(45) **Date of Patent:** **\*\* May 12, 2015**

(54) **ESPRESSO MACHINE**

(56) **References Cited**

(71) Applicant: **De'Longhi Appliances S.R.L. Con Unico Socio**, Treviso (IT)

U.S. PATENT DOCUMENTS

(72) Inventors: **Giuseppe De'Longhi**, Treviso (IT);  
**Marco Vaona**, Mestre (IT)

D338,590	S	*	8/1993	Dingelstad et al.	.....	D7/309
5,628,239	A	*	5/1997	Wu	.....	99/290
D585,692	S	*	2/2009	Borin	.....	D7/309
D604,985	S	*	12/2009	Taylor et al.	.....	D7/309
D626,368	S	*	11/2010	De Pra'	.....	D7/309
D644,058	S	*	8/2011	Cahen	.....	D7/309
D649,392	S	*	11/2011	Cahen	.....	D7/307
D666,451	S	*	9/2012	Cheng	.....	D7/309
D690,150	S	*	9/2013	Cahen	.....	D7/309

(73) Assignee: **De'Longhi Appliances S.R.L. Con Unico Socio**, Treviso (IT)

(\*\*) Term: **14 Years**

\* cited by examiner

(21) Appl. No.: **29/461,242**

*Primary Examiner* — Marianne Pandozzi

(22) Filed: **Jul. 19, 2013**

(74) *Attorney, Agent, or Firm* — Maier & Maier, PLLC

(30) **Foreign Application Priority Data**

(57) **CLAIM**

The ornamental design for an espresso machine, as shown and described.

Jan. 21, 2013 (EM) ..... 2169755-0003  
Jan. 21, 2013 (EM) ..... 2169755-0007

**DESCRIPTION**

(51) **LOC (10) Cl.** ..... **07-01**

FIG. 1 is a perspective view of an espresso machine, showing our new design;

(52) **U.S. Cl.**  
USPC ..... **D7/309; D7/311**

FIG. 2 is a front view thereof;

(58) **Field of Classification Search**  
CPC ..... B67D 3/00  
USPC ..... D7/309-311, 306-308, 300, 397, 305;  
99/293, 323.1, 279, 289 R, 291;  
D6/544; 222/105, 185.1

FIG. 3 is a rear view thereof;

FIG. 4 is a left side view thereof;

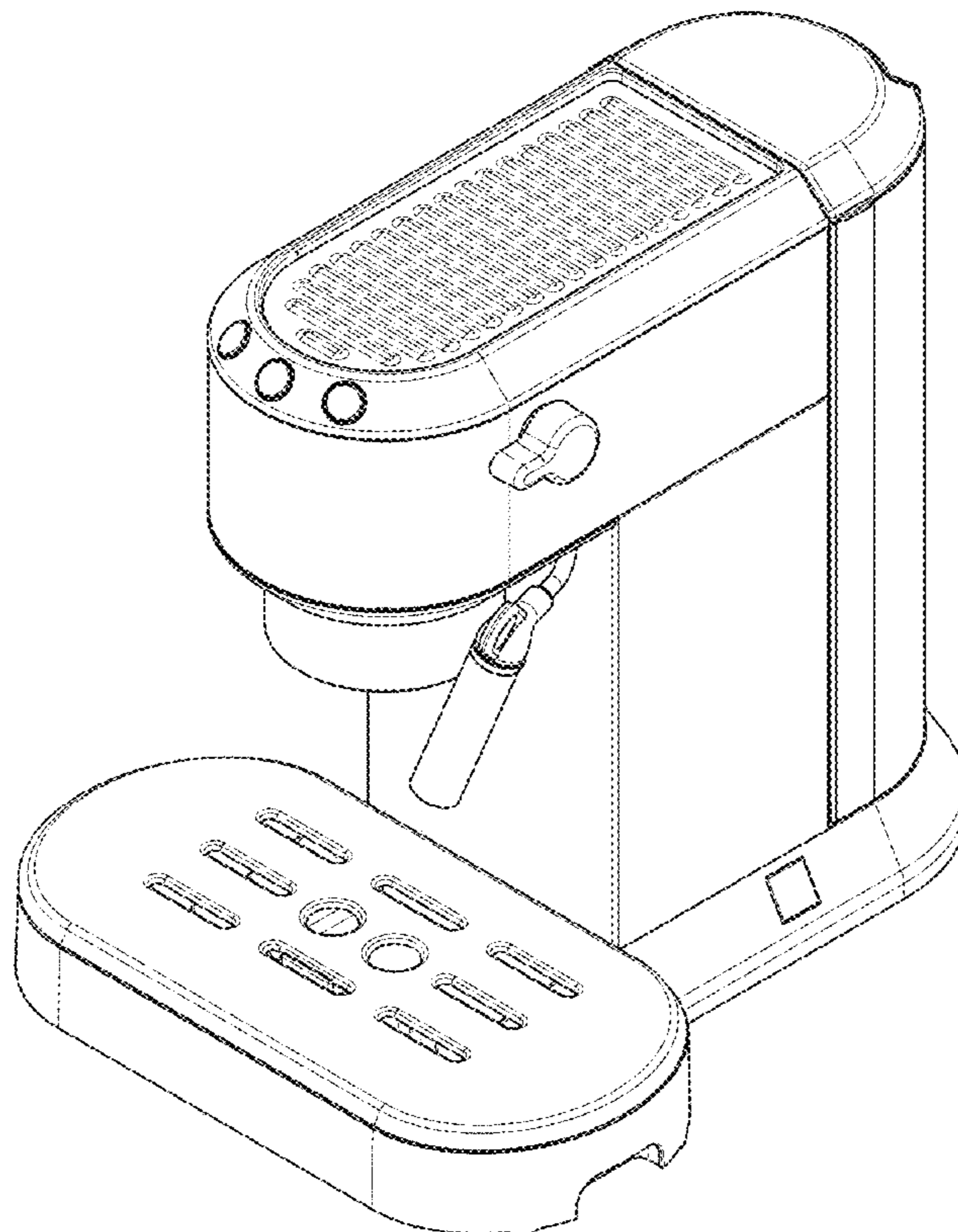
FIG. 5 is a right side view thereof;

FIG. 6 is a top plan view thereof; and,

FIG. 7 is a bottom plan view thereof.

See application file for complete search history.

**1 Claim, 7 Drawing Sheets**



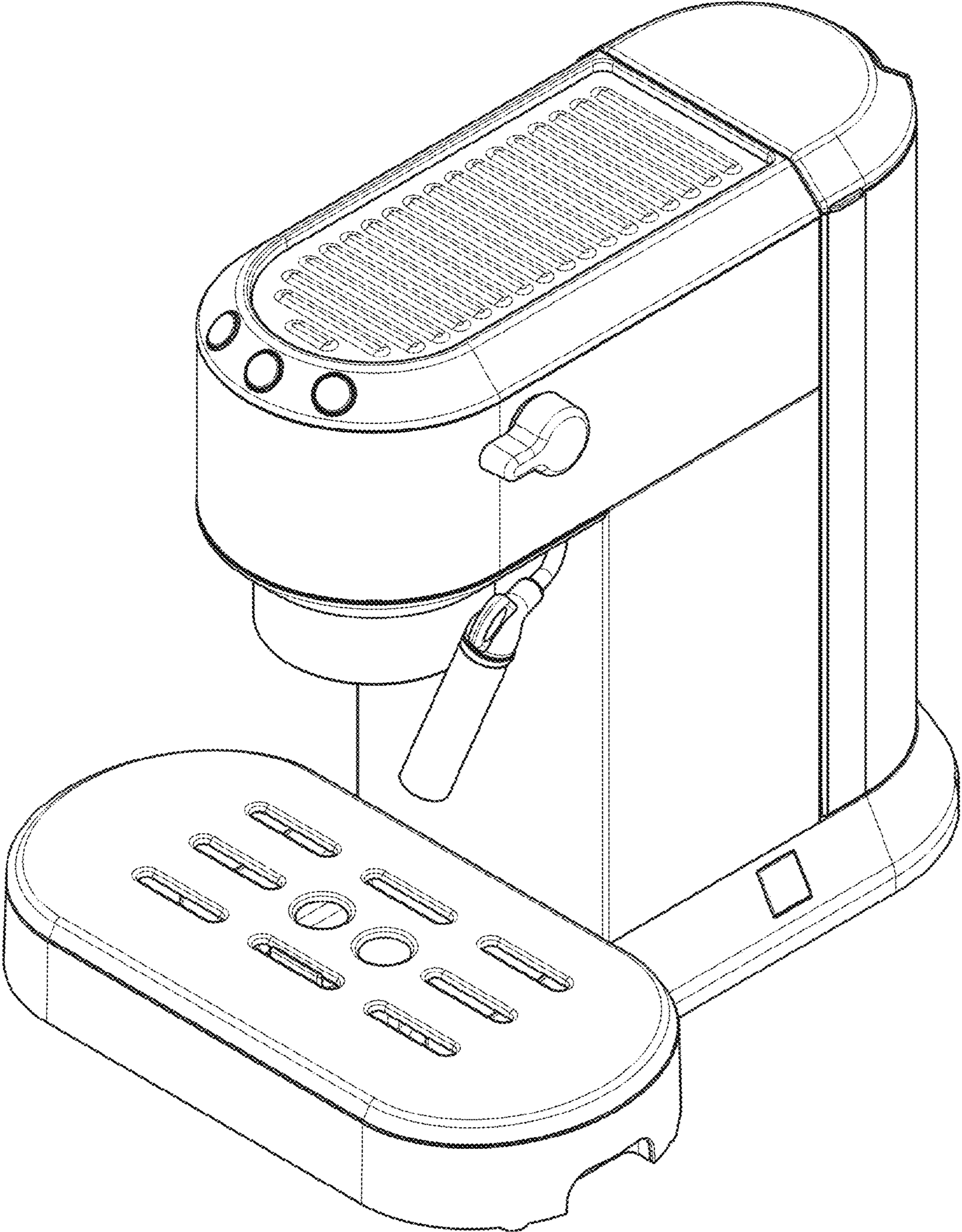


FIG. 1

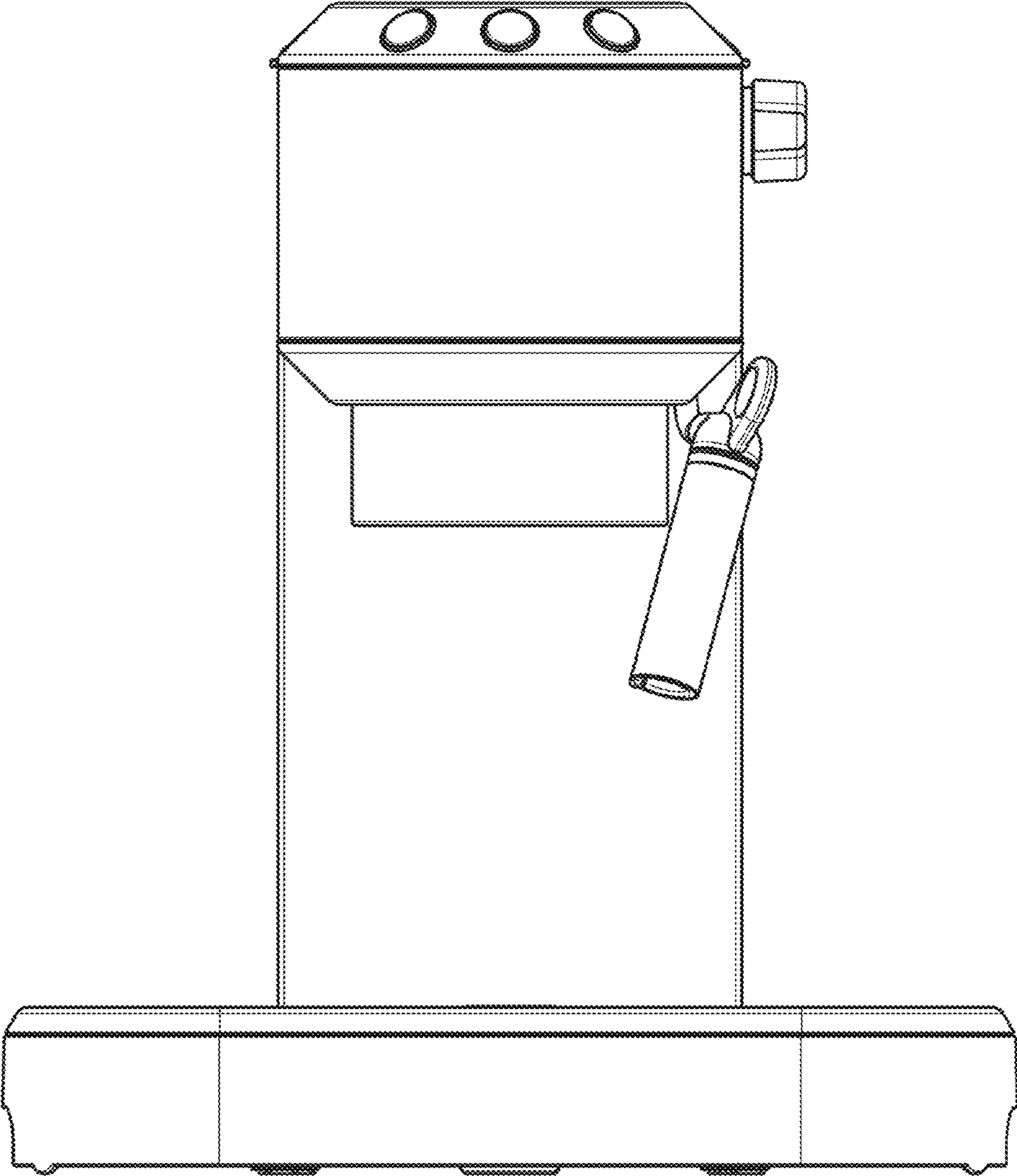


FIG. 2

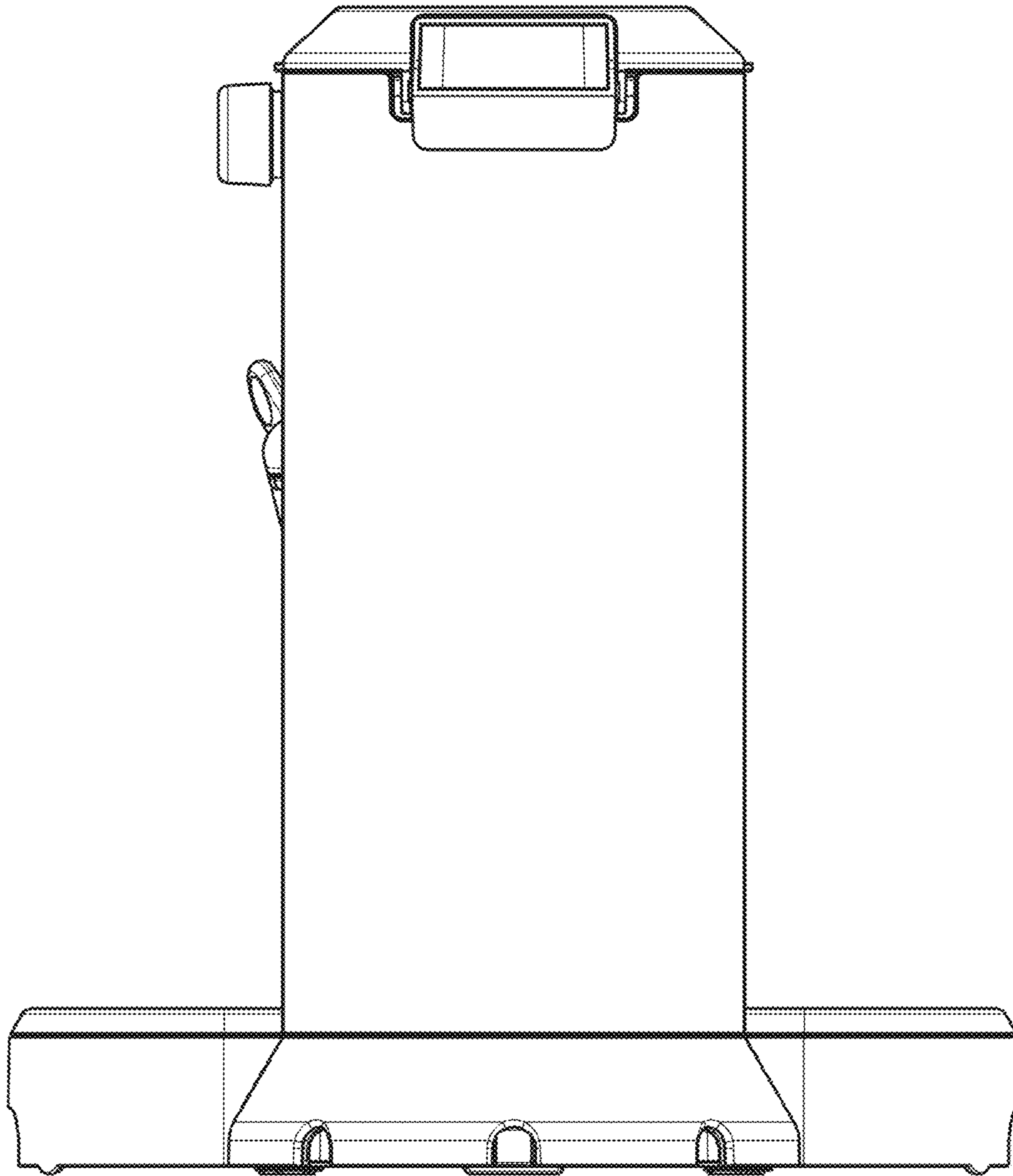
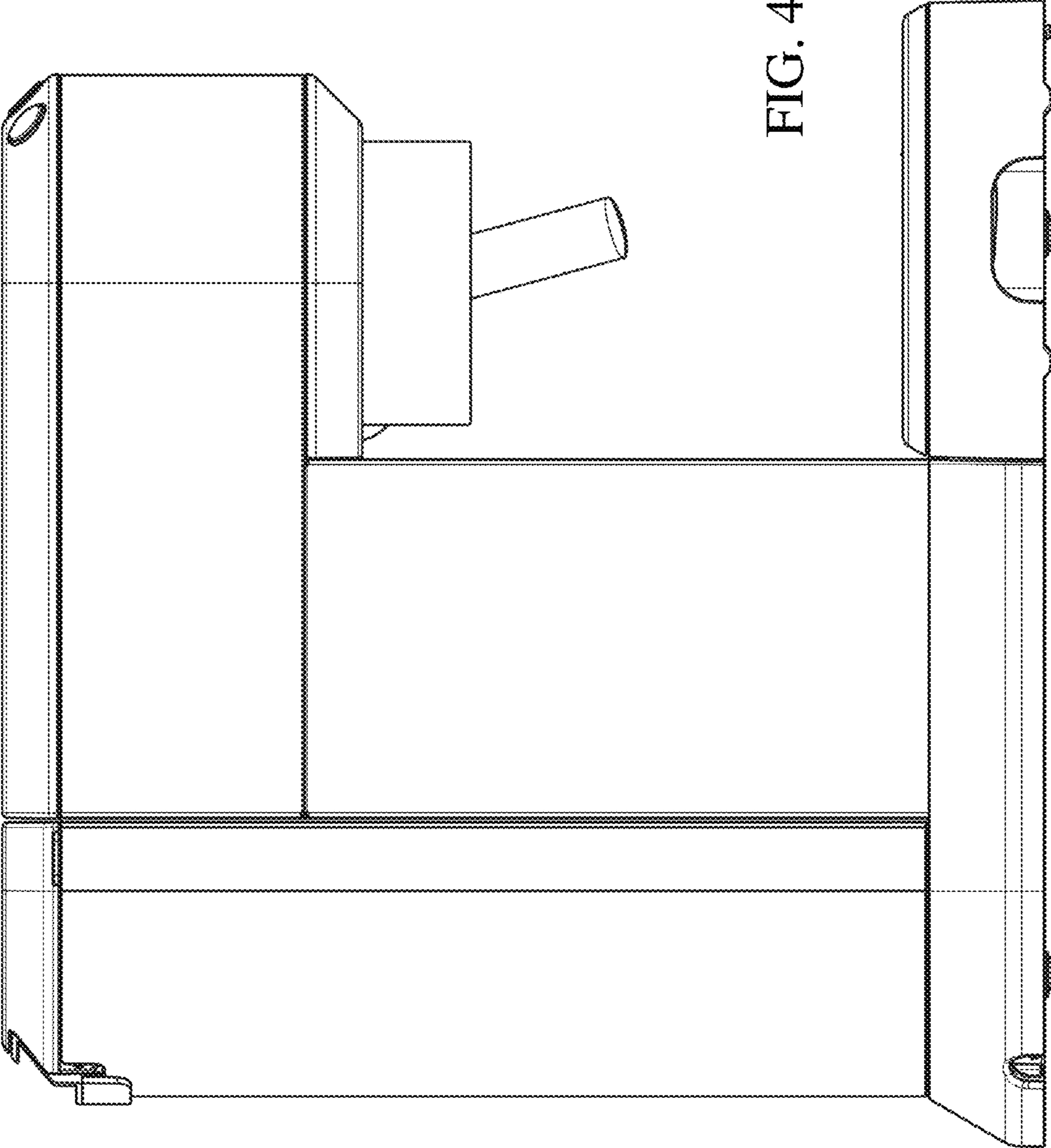


FIG. 3



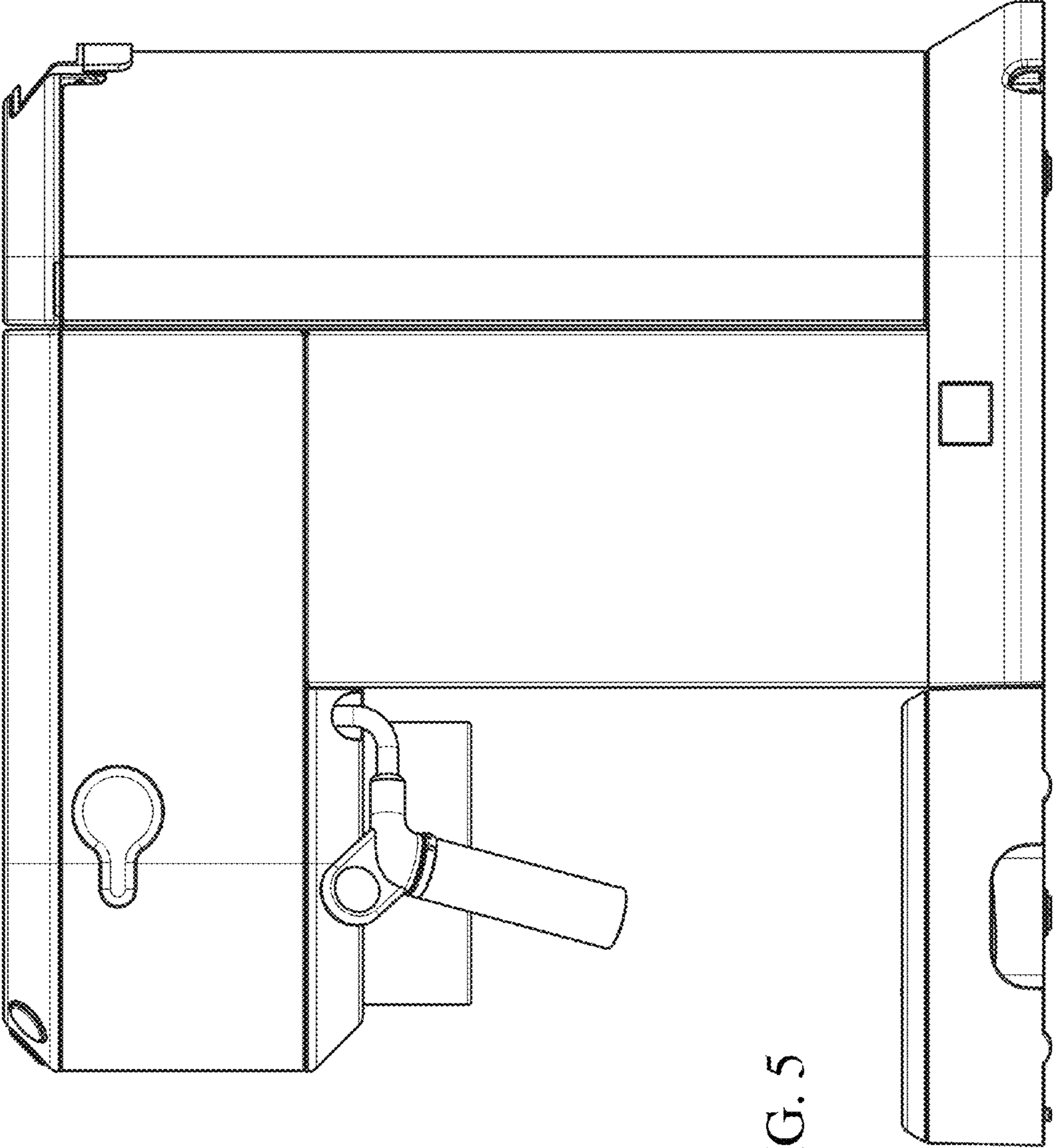


FIG. 5

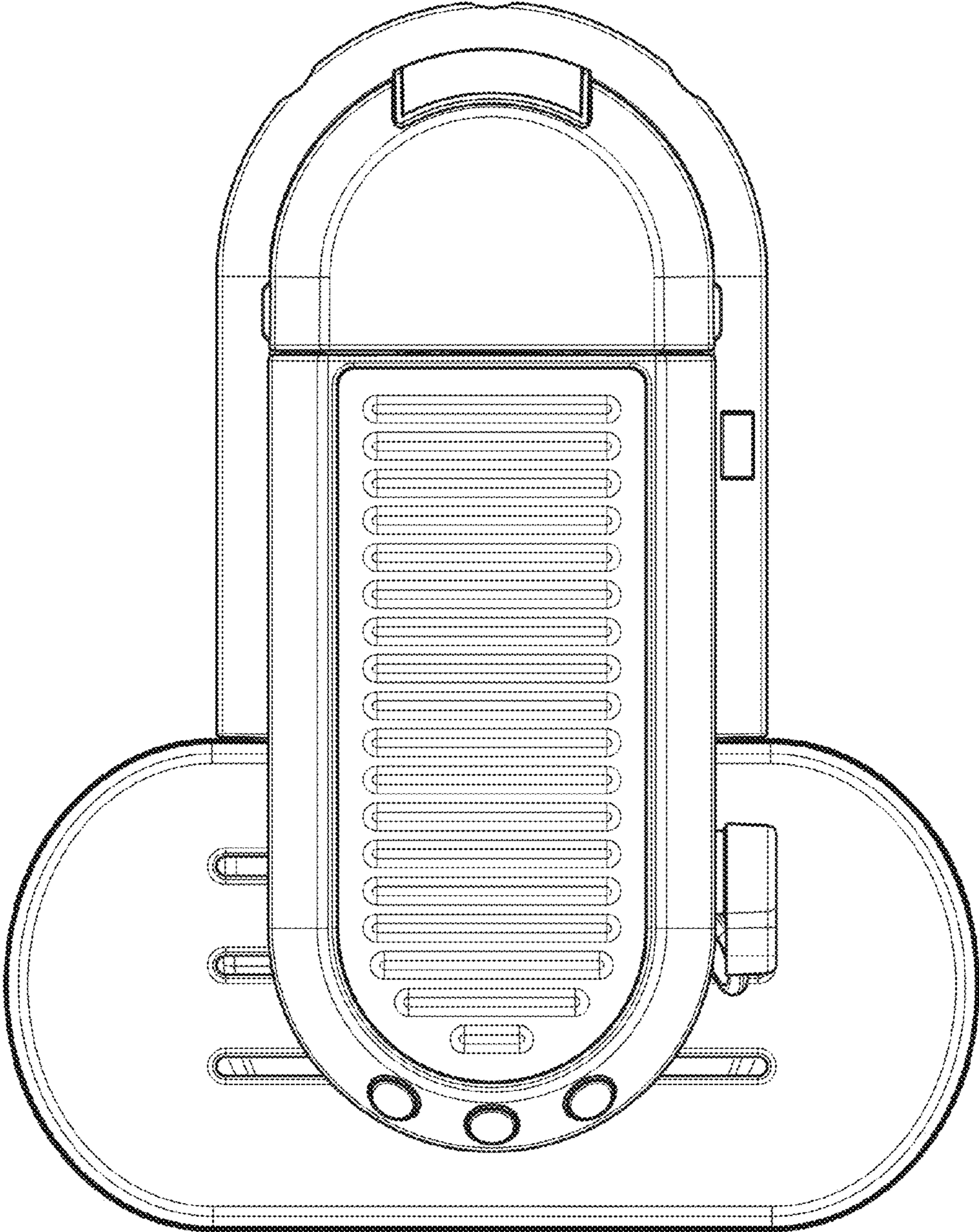


FIG. 6

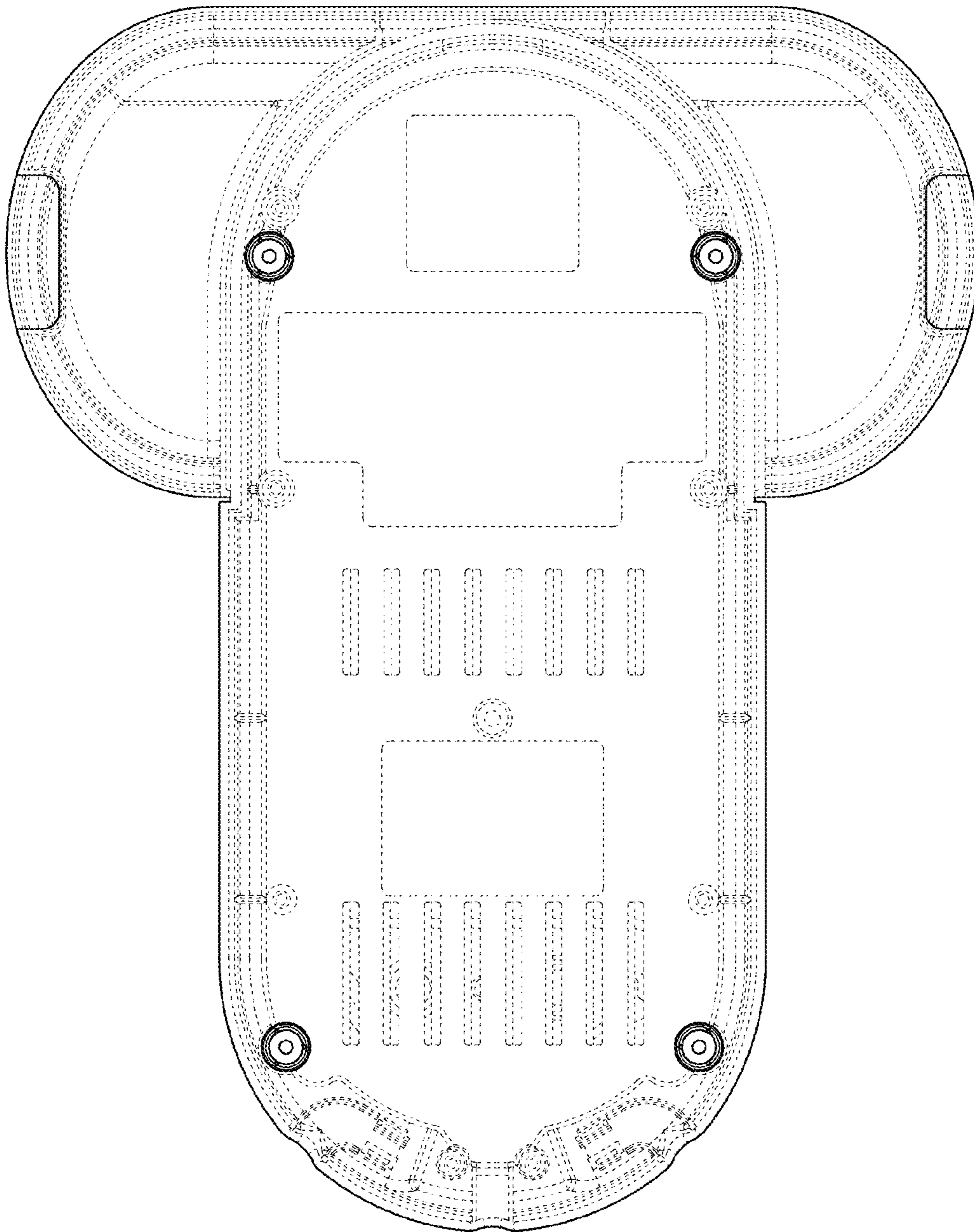


FIG. 7